

A close-up, low-angle shot of the ffuuss hand dryer, showing its layered, curved design. The device is composed of several overlapping, rounded rectangular sections in shades of light gray and dark gray. The topmost section is light gray and features the 'ffuuss' logo in a dark gray, sans-serif font. The background is a plain, light-colored wall.

# ffuuss™

## USER MANUAL

This USER MANUAL includes the necessary instructions for installing the ffuuss™ hand dryer and the warranty documents.  
Read and keep these instructions.

## TECHNICAL SPECIFICATIONS

Electric system		
Input voltage:	220-240 V	100-127 V
Frequency:	50/60 Hz	50/60Hz
Nominal power:	1100 W	1000 W
Electric current:	5 A	9 A
Type of motor:	Universal	Universal
Motor speed:	23000 RPM	21500 RPM
Working temperature:	40 °C/104 °F	40 °C/104 °F
Type of heater:	Preheat*	Preheat*
Consumption on stand by mode:	1,5 W	1,5 W
*: System patented by ffuuss™		
Manufacturing		
Cover material: ABS		
Treated with Biomaster Silver Biocide antibacterial additive		
Finish: Various colours		
Mounting bracket: Galvanized steel		
Water inlet protection: IPX2		
HEPA H13 filter: Optional		
Operation		
Automatic activation by infrared		
Hand drying time: 15 seconds		
Blocking time: 25 seconds		
Airflow: Up to 73 l/s		
Logistics		
Net weight: 7.3 Kg		
Assembled weight: 8.8 Kg		
Box dimensions (mm): 690 / 360 / 285		
Regulations		
This unit complies with the following the European Directives: 1999/5/CE 2004/108/CE 2006/95/CE		
Quality		
CE		
Others		
This unit has Bluetooth technology		
Standard warranty		
5 years for parts and 1 year for labour (see conditions)		

NOTE: ffuuss™ reserves the right to make changes without prior notice.



## INSTRUCTIONS FOR INSTALLING THE ffuuss™ HAND DRYER ON THE WALL

### Important safety information. Read before proceeding.

The installation and electrical wiring work must be undertaken by a qualified person or persons in accordance with all applicable codes and standards, including fire prevention.

#### ▲ WARNING:

##### Before starting any installation work, you must check the following:

Make sure the electricity supply has been disconnected or turned off before starting installation to avoid electrocution or electric shock.

Make sure there are no pipes (gas, water, air) electric cables, wires or ducts directly behind the drilling areas.

#### ▲ WARNING:

##### Risk of electric shock!

Do not remove the cover or attempt to repair unless qualified personnel are servicing the unit. If the cover is removed or handled incorrectly, the internal elements of the ffuuss™ hand dryer may cause damage or become permanently damaged.

#### ▲ WARNING:

##### In order to avoid the risk of fire or electric shock, do not expose the elements and the internal mechanisms of this unit to rain or humidity.

Check the power supply matches the specifications on the plate located in the back of the unit.

If this unit is connected to any power supply different to the one specified on the specifications plate of the unit, this may result in permanent damage to or the unsafe and incorrect functioning of the ffuuss™ hand dryer.

All wiring and electrical work must be performed by a qualified electrician in accordance with the rules and applicable federal, state and local laws, including fire prevention.

According to local wiring regulations, a system for disconnecting the poles in the fixed wiring of the device should exist.

These instructions must be read carefully before trying to install the ffuuss™ hand dryer.

Not following the installation instructions exactly may result in the malfunction of the ffuuss™, damage to property or even personal injury.

ffuuss™ shall not be liable for property damage or personal injury that may result from failure to comply with these instructions.

Not following these instructions will void this product's warranty. See the user section for warranty details.

#### ▲ WARNING

##### Safety and use:

Children over 8 years can use this hand dryer ffuuss™, as well as people having reduced capabilities (physical, sensorial, mental) but only in the case they had received proper surveillance and training on the use of the equipment, in order to make them understand what is the safe use of the hand dryer ffuuss™ and its potential dangers. Children should always be under the supervision of an adult to avoid them playing with the device. An adult must do cleaning and maintenance of the equipment and it is forbidden to the children.

This equipment has been designed for efficient and quick hand drying. Do not attempt to dry any other part of the body.

#### ▲ WARNING:

##### To reduce the risk of fire, electric shock or personal injury, follow the steps detailed below:

- 1- Use this unit only as instructed by the manufacturer. If in doubt, contact the manufacturer.
- 2- Before cleaning or servicing the unit, make sure the power supply is cut by disconnecting the fixed wiring to the ffuuss™ hand dryer to ensure the machine is not switched on accidentally or to avoid an electric shock that may occur during its repair or maintenance.
- 3- Any installation or wiring work must be undertaken by qualified personnel in accordance with the codes and standards in force.
- 4- When cutting or drilling into the wall, do not damage the electrical wiring or other hidden services.

## GENERAL NOTES

The instructions included in the attached installation manual must be followed carefully when installing a ffuuss™ hand dryer.

ffuuss™ will not be liable for any damage to property or personal injury or death resulting from non-compliance with the instructions contained herein and in the installation manual.

Make sure your ffuuss™ hand dryer works properly before allowing the public to use it.

Do not use the ffuuss™ hand dryer for any purpose other than drying hands.

Using authentic ffuuss™ spare parts can extend the correct and safe functioning of your unit.

## ▲ WARNING

This product may contain substances known to the State of California to cause cancer, birth defects or other reproductive problems. Wash your hands after installing or repairing the ffuuss™ hand dryer.

## HOW TO USE

Place hands between the infrared sensors at the top of the ffuuss™ hand dryer to activate the machine and the air outlet. Keep hands in the drying zone until the cycle ends.

## CLEANING THE DEVICE.

### Surfaces.

Only clean the surfaces of the ffuuss™ hand dryer with a damp cloth. Do not use abrasive or caustic products.

## MAINTENANCE ADVISE.

### Air intake.

Check the air intake through the base of the ffuuss™ hand dryer regularly and make sure that it is free from dust, dirt or any other particles. Also make sure that all the surfaces of the ffuuss™ hand dryer and the infrared sensors are properly cleaned to ensure the correct functioning of the ffuuss™ hand dryer.

## TEST

Make sure the power supply is connected to the ffuuss™ hand dryer. Place hands between the infrared sensors at the top of the ffuuss™ hand dryer to activate it and the air outlet. Keep hands in the drying zone until the cycle ends. Remove hands from the ffuuss™ hand dryer and it will turn off automatically.

## TROUBLESHOOTING.

**IMPORTANT:** TURN OFF THE ELECTRICAL SUPPLY TO THE ffuuss™ BEFORE SERVICING IT.

Problem	Action	If the problems persist
The ffuuss™ hand dryer does not start.	Make sure the ffuuss™ hand dryer and the wiring are properly connected. Check that it is turned on.	Call your dealer or contact ffuuss™ directly at the following email address <a href="mailto:info@ffuuss.com">info@ffuuss.com</a> or by calling +34 902 883 083
The ffuuss™ hand dryer starts and turns off erroneously.	Check that the infrared sensors are clean.	
Sometimes the ffuuss™ hand dryer turns off when it is in use and then starts again after a while.	Check that the infrared sensors are clean and make sure the intake in the base is clean and is dust-free. If there is dust, remove it.	
The ffuuss™ hand dryer continues to function after hands have been removed.	A 2 second delay after hands have been removed is acceptable.	
Air comes out of the front or the rear of the ffuuss™ hand dryer.	Check there is nothing obstructing the air intake or outlet. If there is, remove it.	
The ffuuss™ hand dryer is not drying hands properly.	Check there is nothing obstructing the air intake. If there is, remove it.	
The ffuuss™ hand dryer works only for a couple of seconds and then it turns off.	Check that the infrared sensors are clean.	
Water accumulates in the base of the ffuuss™ hand dryer.	Make sure the drain outlet is not blocked. If it is, clean and unblock it with the brush.	
The ffuuss™ hand dryer reflects a red spot on the floor.	The water tank is full. Empty it and put it back. The red light will turn off.	
The ffuuss™ hand dryer reflects a red spot on the floor and all the lights of the viewer are turned off.	Call or contact your distributor.	

## WARRANTY

Thank you for purchasing a ffuuss™ product.

If you have any questions relating to your ffuuss™ hand dryer contact us at the following email address: [info@ffuuss.com](mailto:info@ffuuss.com). Before contacting us, please make sure you know your ffuuss™ hand dryer's serial number and have a copy of your purchase invoice. If you need the assistance of a technician or spare parts, we will put you in touch with a ffuuss™ authorized dealer.

If your ffuuss™ hand dryer is under warranty and the repair is covered by it, ffuuss™ will not charge the owner of the unit for the spare part/s for a period of 5 years or 250,000 cycles. During the first year, ffuuss™ guarantees that the owner of the ffuuss™ hand dryer will not be charged for labour.

The owner of the ffuuss™ hand dryer shall be responsible for guaranteeing access to the product for warranty repairs of the ffuuss™ hand dryer. All parts replaced by ffuuss™ or its authorized dealers during the first year will be owned by ffuuss™.

## 5 YEARS LIMITED WARRANTY ON PARTS

All the original factory parts of your ffuuss™ hand dryer are guaranteed against material defects and workmanship when used in accordance with the User Manual, for a period of FIVE years.

The FIVE-year limited warranty on parts starts on the date of purchase or on the date of delivery (whichever takes place last).

Under this warranty, the owner of the unit must provide proof of purchase in order to obtain parts for repairs. Without this proof, the owner of the ffuuss™ hand dryer shall be responsible for the payment of all spare parts supplied by ffuuss™ or its authorised dealers or services, at a general rate.

All standard spare parts can be replaced by ffuuss™ or its authorised dealers at an additional cost and at general rates.

## ADDITIONAL LIMITED WARRANTY ON LABOUR DURING THE FIRST YEAR

This warranty become effective on the date of purchase of the ffuuss™ hand dryer and ends after ONE year.

It covers all the labour required to ensure the correct functioning of the ffuuss™ hand dryer at no extra cost to the owner. Under this warranty all repairs must be undertaken by ffuuss™ or its authorised dealers.

All labour costs incurred from the replacement of defective parts after the one-year limited warranty on labour has expired are the sole responsibility of the owner of the ffuuss™ hand dryer.

ffuuss™ shall NOT be responsible for:

- Costs incurred as a result of the purchase of a ffuuss™ hand dryer from a non-authorized dealer.
- Any damage (accidental or not) caused by negligent use or misuse, negligence, incorrect use, incorrect repair or maintenance of the unit, or not using the ffuuss™ hand dryer as per the User Manual.
- Using parts not in compliance with the User Manual of the ffuuss™ hand dryer.
- Obstructions other than those caused by the normal use of water and soap. For other types of obstructions, consult ffuuss™ for technical advice.
- External causes such as rain, no electricity and electric power overload.
- Repairs or modifications carried out by personnel NOT authorised by ffuuss™.
- Problems that derive from the incorrect installation of the unit.
- Use of parts or spare parts not supplied by ffuuss™ or its authorised dealers.
- Parts or spare parts not installed in accordance with the ffuuss™ instructions.

- Repairs or modifications not carried out by ffuuss™ or an authorised dealer.

- Problems caused by acts of God or circumstances beyond the control of ffuuss™.

## WARRANTY SERVICE

Complete and submit the ffuuss™ hand dryer registration form or register online at [www.ffuuss.com](http://www.ffuuss.com)

Before performing any service operation, the warranty terms require that the serial number and the date of purchase of the ffuuss™ hand dryer be reported beforehand.

## OTHER WARRANTY LIMITATIONS AND EXCLUSIONS

This warranty gives you specific legal rights and you may have other rights that vary per country.

The ffuuss™ warranties described herein are not transferable.

## ♻️ PACKAGING

The packaging protects the product during its transport and storage and is made of recyclable materials. As soon as the packaging is no longer needed, please dispose of it using the recycling facilities in your community.

## ♻️ OLD UNITS

This product includes electrical parts and that is why it has been marked with the symbol RAEE (WEEE) according to European Standards. We recommended you dispose this product according to the regulations in your country. At time of disposal, these parts need to be managed.

### WARRANTY CARD

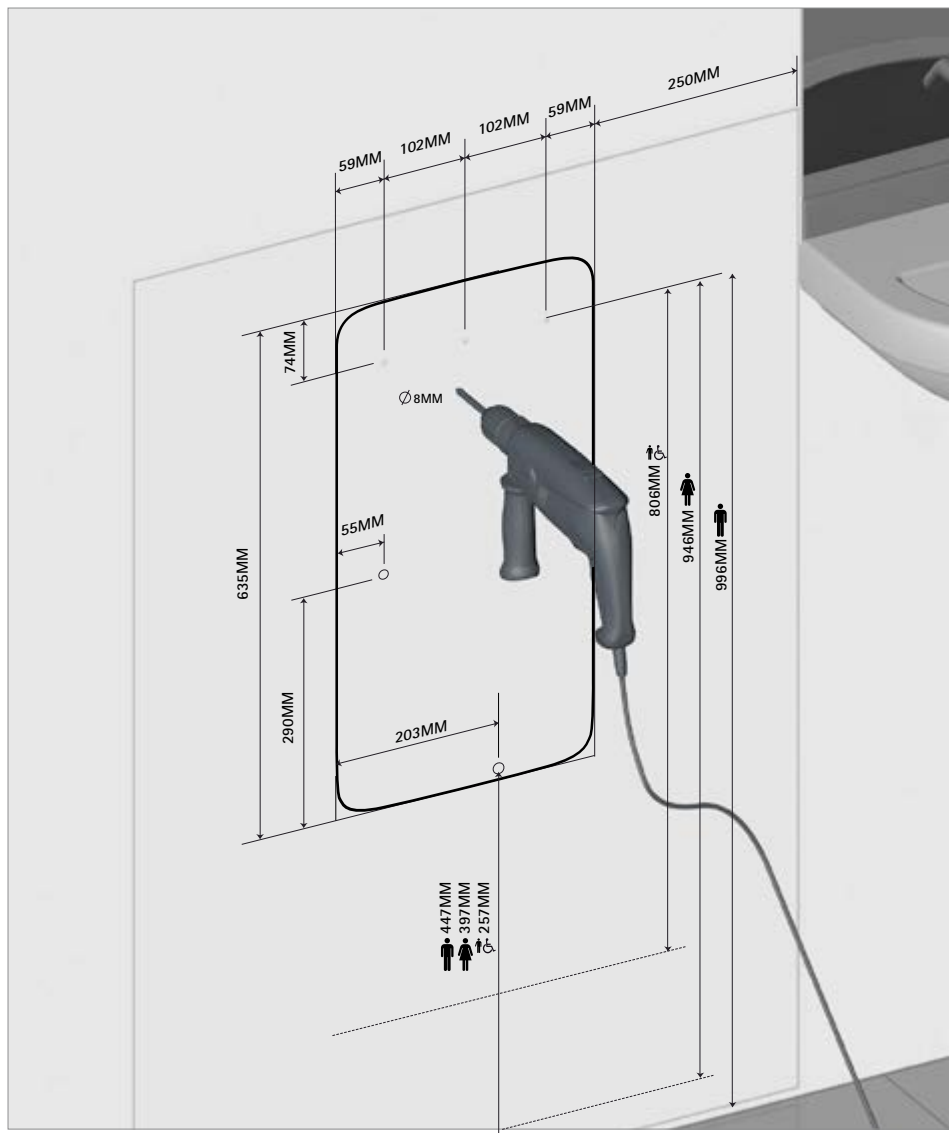
PRODUCT MODEL

PRODUCT SERIAL NUMBER

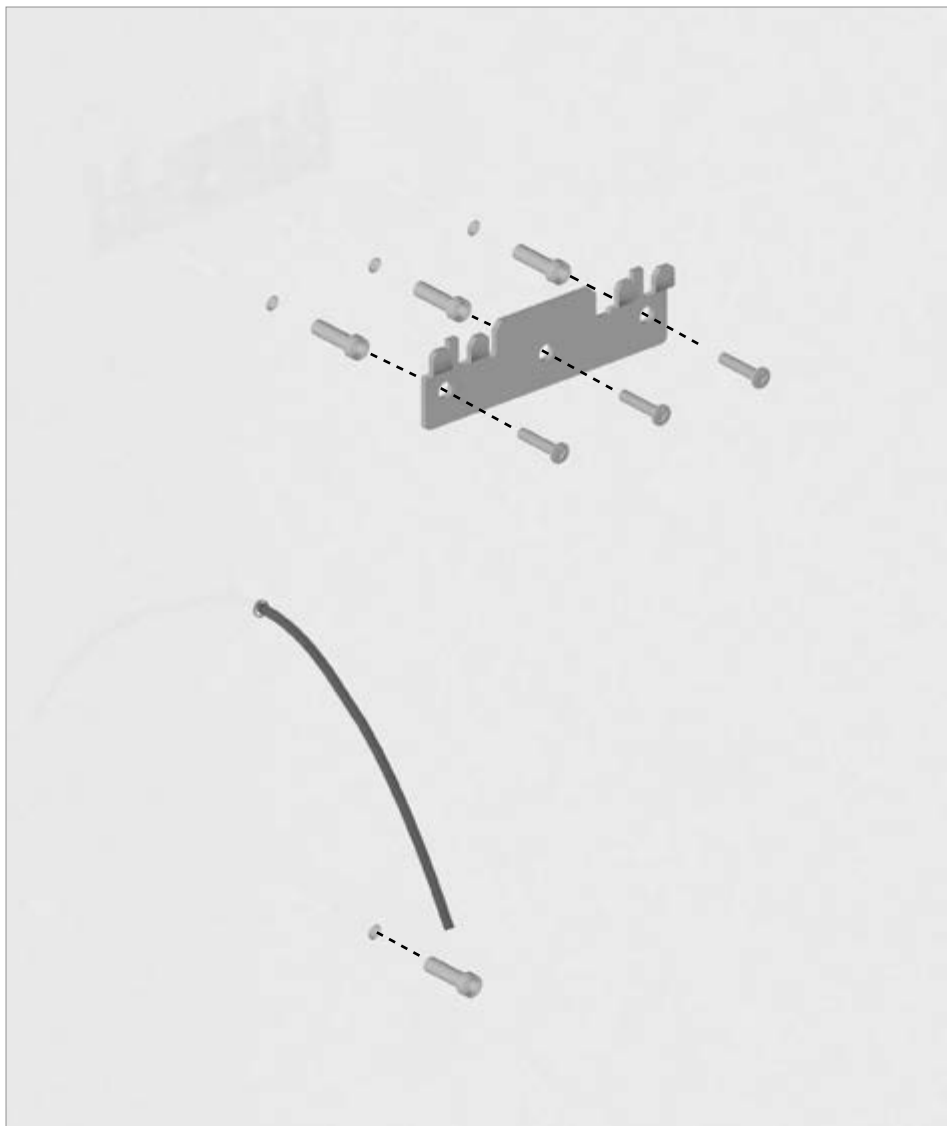
DEALER NAME AND SEAL

DATE OF PURCHASE

USER NAME AND ADDRESS

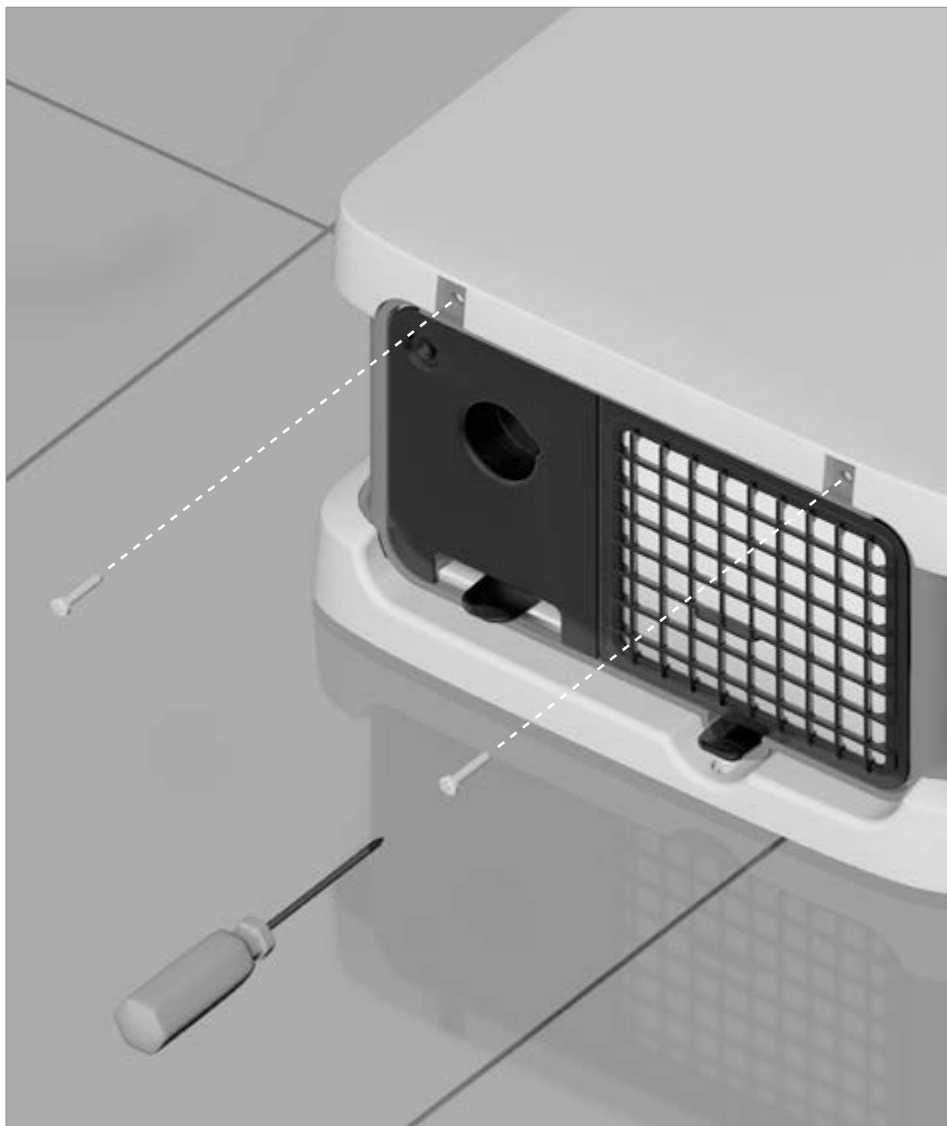


Place the hand dryer ffuuss™ template against the wall where it will be installed and make the holes according to the diagram. Check beforehand if there is a direct cable to the electricity network or if the hand dryer has to be connected using a plug.

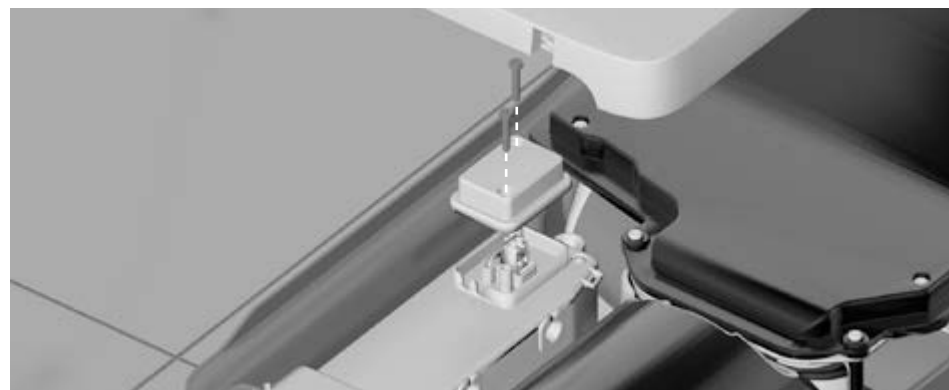


Once the marks have been made, attach the mooring to the wall and prepare the cable to the electricity network.

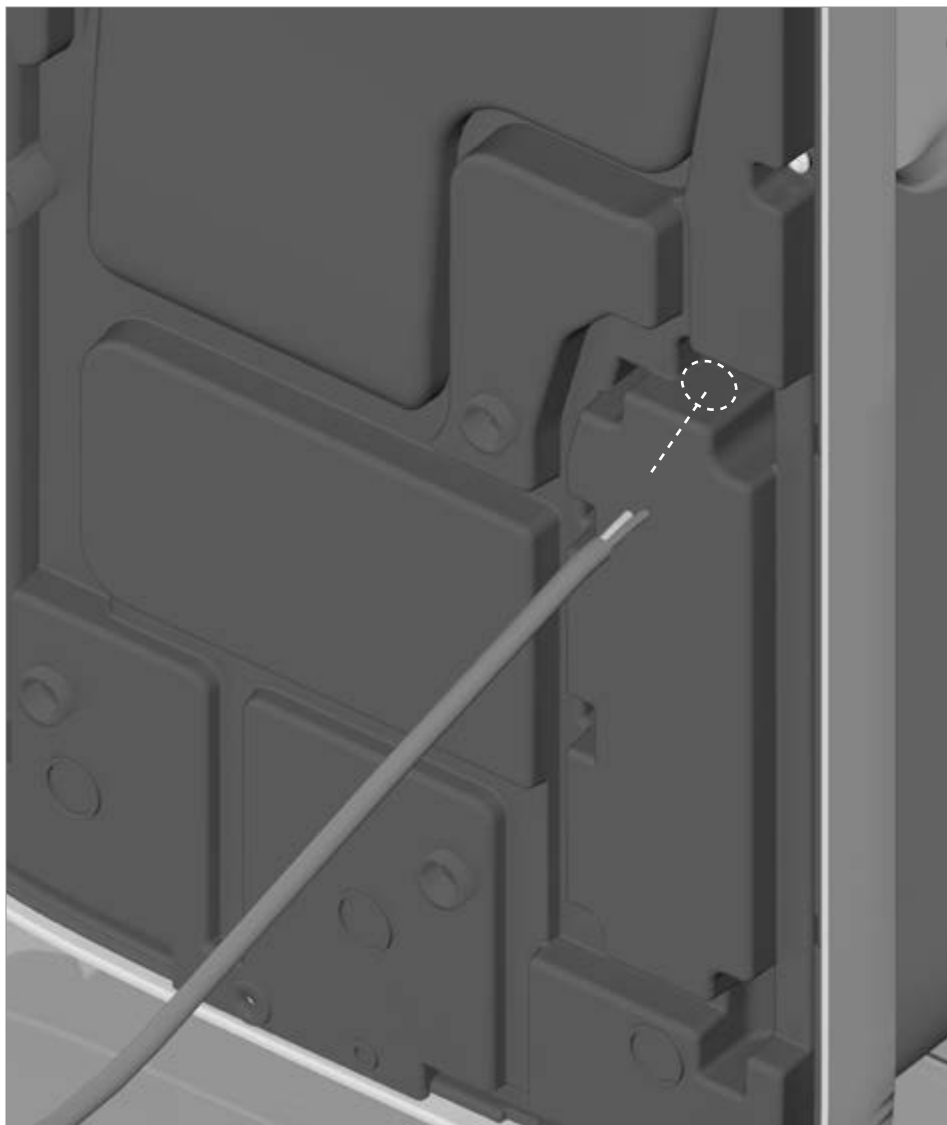




Take the ffuuss™ hand dryer from its packaging and open the front cover to install the electricity cable. Open the cover of the connector box which is where the cable to the network will be installed.





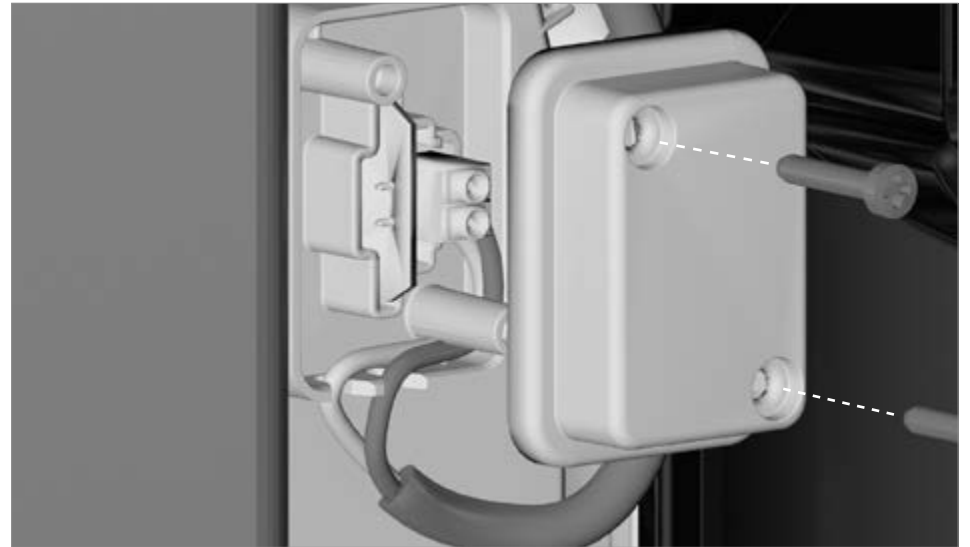


Introduce the electricity cable through the hole at the rear and pull it out from the front.





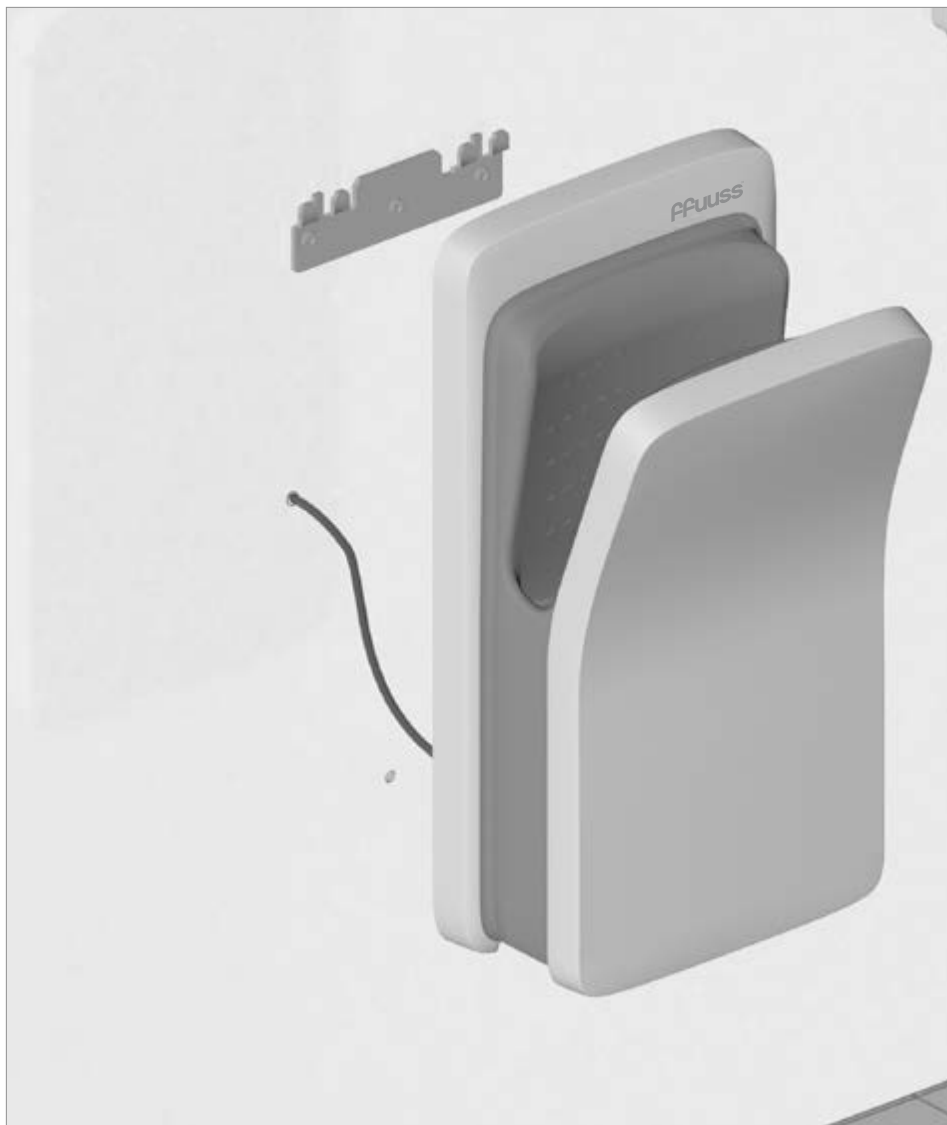
Once the cable has been passed through the hole, connect each end to its respective terminal, placing each one in the right path and then close the box.





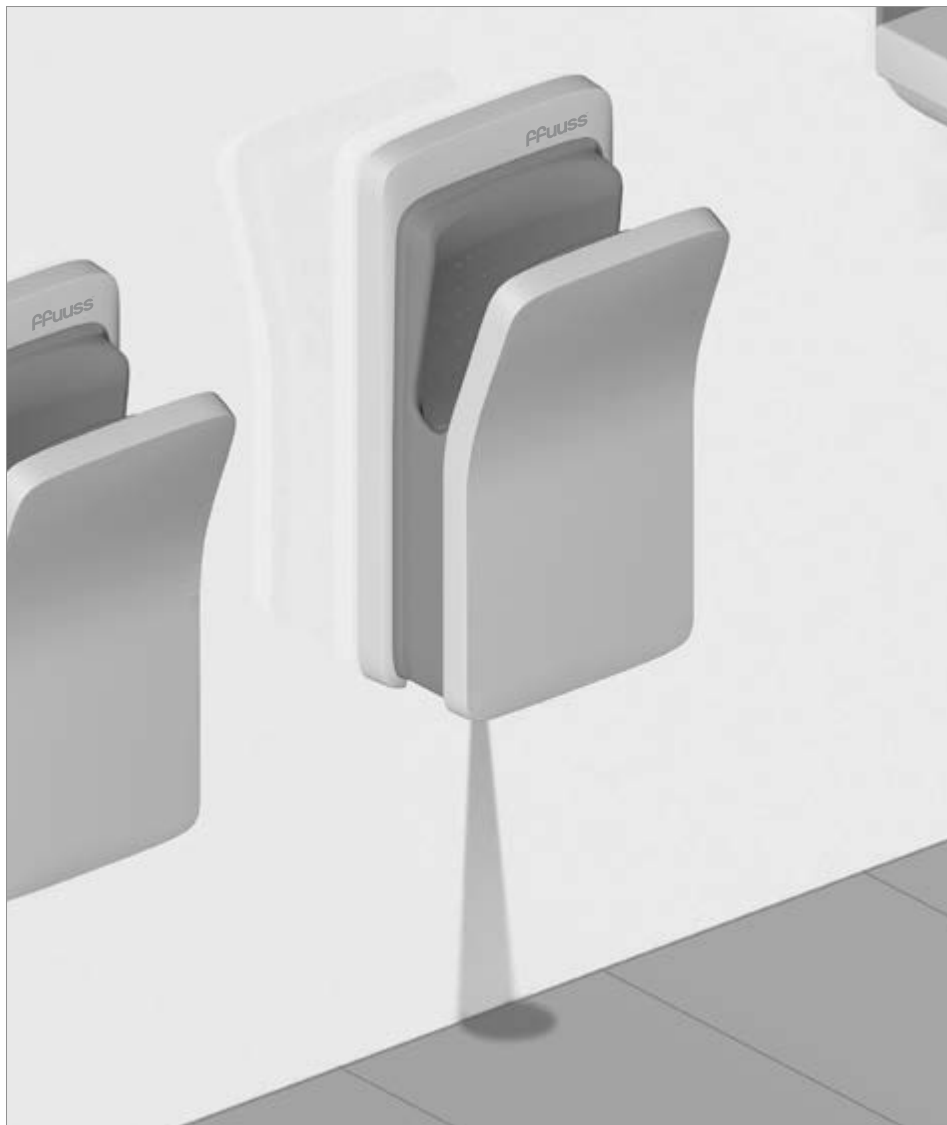
After installing the cable, screw the cover closed.





Place the ffuuss™ hand dryer on the wall mooring, remove the air intake filter and fix the unit via the inner hole. Insert the filter and connect the unit.





When a red spot is reflected on the floor, this means that the water tank is full. Empty the tank and clean it of any possible dirt. Put the tank back. Once the tank is empty, the red light will disappear.





It is advisable to clean the filter every time the ffuuss™ hand dryer receives external maintenance. If the ffuuss™ hand dryer is equipped with a HEPA filter, change it whenever necessary or once a year. If it is not equipped with a HEPA filter, remove the filter, clean any dirt found in the holes and return it to its initial position. It is also advisable to clean the water pipe hole with the brush every time the ffuuss™ hand dryer is cleaned. We recommend a monthly maintenance routine consisting of cleaning the surfaces, air intake (filter) and emptying and cleaning the water deposit.



