



**OPERATOR'S MANUAL  
MANUEL de L'UTILISATEUR  
MANUAL del OPERADOR**



**Catalog No.  
No de Cat.  
Catálogo No.  
6065  
6065-6  
6066  
6066-6  
6072  
6078**



**HEAVY-DUTY SANDERS AND GRINDERS  
PONCEUSES-RECTIFIEUSES EXTRA ROBUSTES  
LIJADORAS Y ESMERILADORAS HEAVY-DUTY**

***TO REDUCE THE RISK OF INJURY, USER MUST READ AND UNDERSTAND OPERATOR'S MANUAL.***

***AFIN DE RÉDUIRE LE RISQUE DE BLESSURES, L'UTILISATEUR DOIT LIRE ET BIEN COMPRENDRE LE MANUEL DE L'UTILISATEUR.***

***PARA REDUCIR EL RIESGO DE LESIONES, EL USUARIO DEBE LEER Y ENTENDER EL MANUAL DEL OPERADOR.***

## GENERAL SAFETY RULES — FOR ALL POWER TOOLS



**WARNING!**

### READ ALL INSTRUCTIONS

Failure to follow all instructions listed below may result in electric shock, fire and/or serious injury. The term "power tool" in all of the warnings listed below refers to your mains-operated (corded) power tool or battery-operated (cordless) power tool.

### SAVE THESE INSTRUCTIONS

#### WORK AREA SAFETY

1. **Keep work area clean and well lit.** Cluttered or dark areas invite accidents.
2. **Do not operate power tools in explosive atmospheres, such as in the presence of flammable liquids, gases, or dust.** Power tools create sparks which may ignite the dust or fumes.
3. **Keep children and bystanders away while operating a power tool.** Distractions can cause you to lose control.

#### ELECTRICAL SAFETY

4. **Power tool plugs must match the outlet. Never modify the plug in any way. Do not use any adapter plugs with earthed (grounded) power tools.** Unmodified plugs and matching outlets will reduce risk of electric shock.
5. **Avoid body contact with earthed or grounded surfaces such as pipes, radiators, ranges and refrigerators.** There is an increased risk of electric shock if your body is earthed or grounded.
6. **Do not expose power tools to rain or wet conditions.** Water entering a power tool will increase the risk of electric shock.
7. **Do not abuse the cord. Never use the cord for carrying, pulling, or unplugging the power tool. Keep cord away from heat, oil, sharp edges, or moving parts.** Damaged or entangled cords increase the risk of electric shock.
8. **When operating a power tool outdoors, use an extension cord suitable for outdoor use.** Use of a cord suitable for outdoor use reduces the risk of electric shock.

#### PERSONAL SAFETY

9. **Stay alert, watch what you are doing and use common sense when operating a power tool. Do not use a power tool while you are tired or under the influence of drugs, alcohol or medication.** A moment of inattention while operating power tools may result in serious personal injury.
10. **Use safety equipment. Always wear eye protection.** Safety equipment such as dust mask, non-skid safety shoes, hard hat, or hearing protection used for appropriate conditions will reduce personal injuries.
11. **Avoid accidental starting. Ensure the switch is in the off-position before plugging in.** Carrying tools with your finger on the switch or plugging in power tools that have the switch on invites accidents.
12. **Remove any adjusting key or wrench before turning the power tool on.** A wrench or a key left attached to a rotating part of the power tool may result in personal injury.
13. **Do not overreach. Keep proper footing and balance at all times.** This enables better control of the power tool in unexpected situations.
14. **Dress properly. Do not wear loose clothing or jewellery. Keep your hair, clothing and gloves away from moving parts.** Loose clothes, jewellery, or long hair can be caught in moving parts.
15. **If devices are provided for the connection of dust extraction and collection facilities, ensure these are connected and properly used.** Use of these devices can reduce dust-related hazards.

#### POWER TOOL USE AND CARE

16. **Do not force the power tool. Use the correct power tool for your application.** The correct power tool will do the job better and safer at the rate for which it was designed.
17. **Do not use the power tool if the switch does not turn it on and off.** Any power tool that cannot be controlled with the switch is dangerous and must be repaired.
18. **Disconnect the plug from the power source and/or the battery pack from the power tool before making any adjustments, changing accessories, or storing power tools.** Such preventive safety measures reduce the risk of starting the tool accidentally.
19. **Store idle power tools out of the reach of children and do not allow persons unfamiliar with the power tools or these instructions to operate power tools.** Power tools are dangerous in the hands of untrained users.
20. **Maintain power tools. Check for misalignment or binding of moving parts, breakage of parts and any other condition that may affect the power tool's operation. If damaged, have the power tool repaired before use.** Many accidents are caused by poorly maintained power tools.
21. **Keep cutting tools sharp and clean.** Properly maintained cutting tools with sharp cutting edges are less likely to bind and are easier to control.
22. **Use the power tool, accessories and tool bits etc., in accordance with these instructions and in the manner intended for the particular type of power tool, taking into account the working conditions and the work to be performed.** Use of the power tool for operations different from those intended could result in a hazardous situation.








#### SERVICE

23. **Have your power tool serviced by a qualified repair person using only identical replacement parts.** This will ensure that the safety of the power tool is maintained.

## SPECIFIC SAFETY RULES

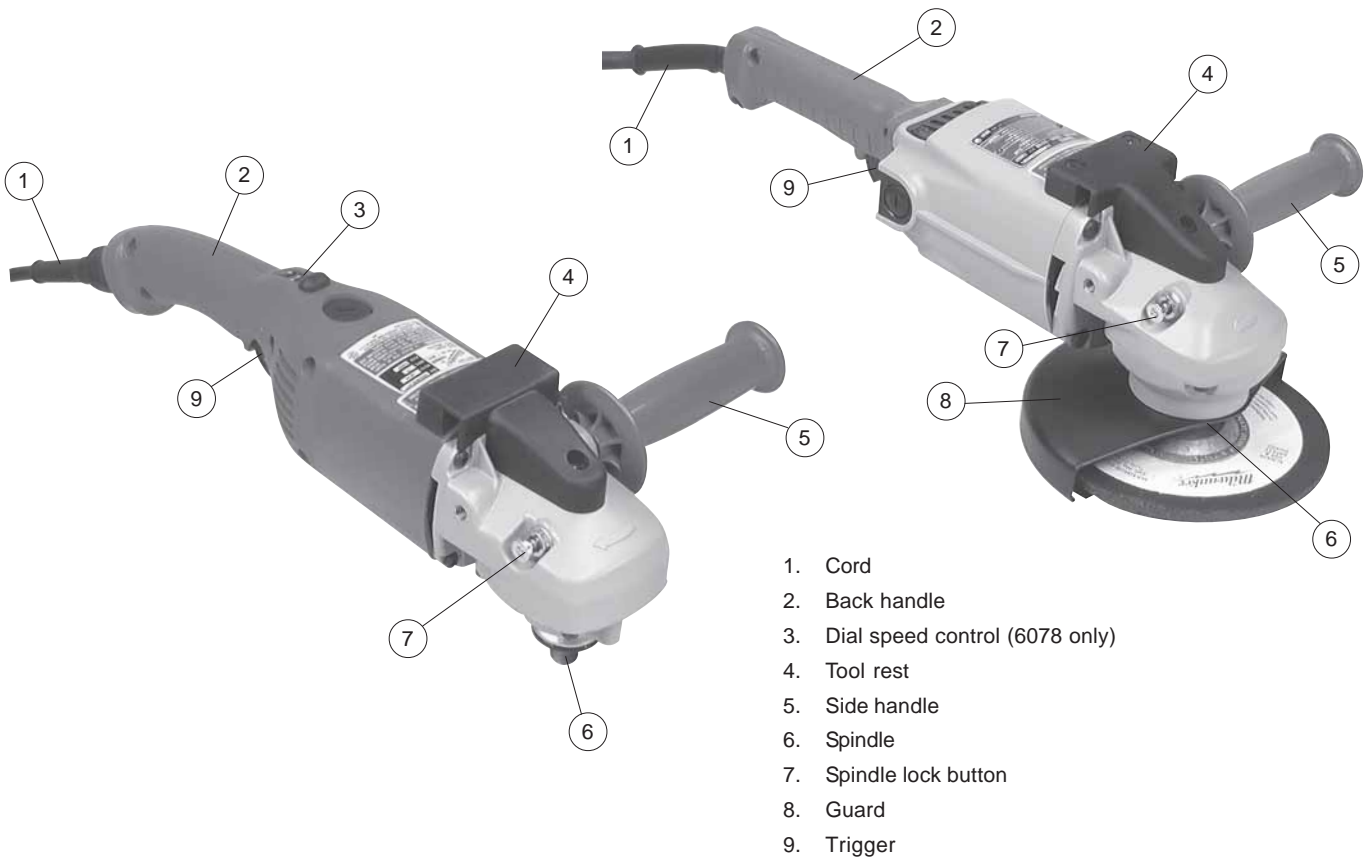
1. **Always use proper guard with grinding wheel.** A guard protects operator from broken wheel fragments.
2. **Accessories must be rated for at least the speed recommended on the tool warning label.** Wheels and other accessories running over rated speed can fly apart and cause injury.
3. **Make sure all wheel flanges and other mounting hardware are in good condition and are always used properly.** Defective or missing parts may damage the wheels and other accessories. Always use mounting hardware supplied with the tool.
4. **Hold power tools by insulated gripping surfaces when performing an operation where the cutting tool may contact hidden wiring or its own cord.** Contact with a "live" wire will make exposed metal parts of the tool "live" and shock the operator.
5. **Keep hands away from all cutting edges and moving parts.**
6. **Maintain labels and nameplates.** These carry important information. If unreadable or missing, contact a *MILWAUKEE* service facility for a free replacement.
7. **WARNING!** Some dust created by power sanding, sawing, grinding, drilling, and other construction activities contains chemicals known to cause cancer, birth defects or other reproductive harm. Some examples of these chemicals are:
  - lead from lead-based paint
  - crystalline silica from bricks and cement and other masonry products, and
  - arsenic and chromium from chemically-treated lumber.

Your risk from these exposures varies, depending on how often you do this type of work. To reduce your exposure to these chemicals: work in a well ventilated area, and work with approved safety equipment, such as those dust masks that are specially designed to filter out microscopic particles.

Symbology	
	Double Insulated
	Canadian Standards Association
	Underwriters Laboratories, Inc.
	Volts Alternating Current/ Direct Current
	Volts Alternating Current
$n_0 \text{ XXXXmin.}^{-1}$	No Load Revolutions per Minute (RPM)
	Amperes
	Mexican Safety Standards

Specifications						
Cat. No.	Volts	Amps	No Load RPM	Spindle Size	Wheel Size	Min. Wheel RPM Rating
6065	120 AC/DC	15	5000	5/8"-11	7"/9"	5500
6065-6	120 AC/DC	15	5000	5/8"-11	7"/9"	5500
6066	120 AC/DC	15	6000	5/8"-11	7"/9"	6500
6066-6	120 AC/DC	15	6000	5/8"-11	7"/9"	6500
6072	120 AC/DC	13	5000	5/8"-11	9"	5500
6078	120 AC	13	0 - 6000	5/8"-11	7"	6500

### FUNCTIONAL DESCRIPTION



## GROUNDING



### WARNING!

Improperly connecting the grounding wire can result in the risk of electric shock. Check with a qualified electrician if you are in doubt as to whether the outlet is properly grounded. Do not modify the plug provided with the tool. Never remove the grounding prong from the plug. Do not use the tool if the cord or plug is damaged. If damaged, have it repaired by a MILWAUKEE service facility before use. If the plug will not fit the outlet, have a proper outlet installed by a qualified electrician.

#### Grounded Tools:

##### Tools with Three Prong Plugs

Tools marked "Grounding Required" have a three wire cord and three prong grounding plug. The plug must be connected to a properly grounded outlet (See Figure A). If the tool should electrically malfunction or break down, grounding provides a low resistance path to carry electricity away from the user, reducing the risk of electric shock.

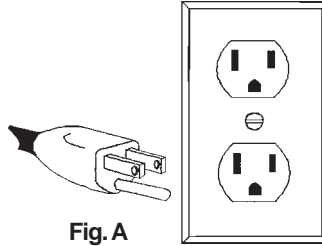


Fig. A

The grounding prong in the plug is connected through the green wire inside the cord to the grounding system in the tool. The green wire in the cord must be the only wire connected to the tool's grounding system and must never be attached to an electrically "live" terminal.

Your tool must be plugged into an appropriate outlet, properly installed and grounded in accordance with all codes and ordinances. The plug and outlet should look like those in Figure A.

#### Double Insulated Tools:

##### Tools with Two Prong Plugs

Tools marked "Double Insulated" do not require grounding. They have a special double insulation system which satisfies OSHA requirements and complies with the applicable standards of Underwriters Laboratories, Inc., the Canadian Standard Association and the National Electrical Code. Double Insulated tools may be used in either of the 120 volt outlets shown in Figures B and C.

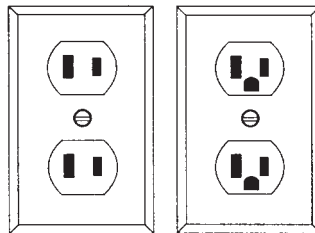


Fig. B

Fig. C

## EXTENSION CORDS

Grounded tools require a three wire extension cord. Double insulated tools can use either a two or three wire extension cord. As the distance from the supply outlet increases, you must use a heavier gauge extension cord. Using extension cords with inadequately sized wire causes a serious drop in voltage, resulting in loss of power and possible tool damage. Refer to the table shown to determine the required minimum wire size.

The smaller the gauge number of the wire, the greater the capacity of the cord. For example, a 14 gauge cord can carry a higher current than a 16 gauge cord. When using more than one extension cord to make up the total length, be sure each cord contains at least the minimum wire size required. If you are using one extension cord for more than one tool, add the nameplate amperes and use the sum to determine the required minimum wire size.

#### Guidelines for Using Extension Cords

- If you are using an extension cord outdoors, be sure it is marked with the suffix "W-A" ("W" in Canada) to indicate that it is acceptable for outdoor use.
- Be sure your extension cord is properly wired and in good electrical condition. Always replace a damaged extension cord or have it repaired by a qualified person before using it.
- Protect your extension cords from sharp objects, excessive heat and damp or wet areas.

#### Recommended Minimum Wire Gauge for Extension Cords\*

Nameplate Amperes	Extension Cord Length					
	25'	50'	75'	100'	150'	200'
0 - 5	16	16	16	14	12	12
5.1 - 8	16	16	14	12	10	--
8.1 - 12	14	14	12	10	--	--
12.1 - 15	12	12	10	10	--	--
15.1 - 20	10	10	10	--	--	--

\* Based on limiting the line voltage drop to five volts at 150% of the rated amperes.

**READ AND SAVE ALL INSTRUCTIONS  
FOR FUTURE USE.**

## TOOL ASSEMBLY

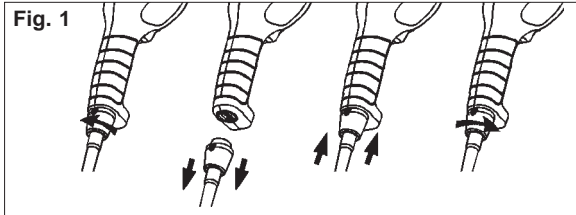


### WARNING!

To reduce the risk of injury, always unplug tool before attaching or removing accessories or making adjustments. Use only specifically recommended accessories. Others may be hazardous.

### Removing and Replacing Quik-Lok® Cords (Select Models) (Fig. 1)

MILWAUKEE's exclusive Quik-Lok® Cords provide instant field replacement or substitution.



1. To remove the Quik-Lok® Cord, turn the cord nut 1/4 turn to the left and pull it out.
2. To replace the Quik-Lok® Cord, align the connector keyways and push the connector in as far as it will go. Turn the cord nut 1/4 turn to the right to lock.

### Installing the Side Handle

The side handle may be installed on either side of gear case for right or left handed use. Position side handle in the location which offers best control and guard protection. For operating zones that provide maximum protection for the operator, see "Grinding". To install, thread side handle into side handle socket on desired side of gear case and tighten securely.

### Installing, Adjusting, and Removing the Guard (Select Models)



### WARNING!

To reduce the risk of injury when grinding, ALWAYS use the proper guard. ALWAYS properly install the guard.

The guard must be used when using the tool as a grinder. The guard should be removed when using tool as a sander.

1. Unplug the tool and place it upside down on a level surface. Remove any accessories from the spindle.
2. Place the grinding wheel guard over the spindle. Position the guard in the location which offers best control and guard protection. For operating zones that provide maximum protection for the operator, see "Grinding".
3. Fasten the guard to the lower half of the gear case with screws and lock washers provided.

## OPERATION



### WARNING!

To reduce the risk of injury, wear safety goggles or glasses with side shields. Unplug the tool before changing accessories or making adjustments.

### Starting and Stopping the Motor

1. To **start** the tool, pull the trigger.
2. To **stop** the tool, release the trigger.



### WARNING!

To reduce the risk of injury or damage to the tool, do not use the spindle lock button to stop the spindle while the tool is in use or is coasting after shut-off.

### Locking the Trigger (Select Models)

The lock button holds the trigger in the ON position for continuous use.

1. To **lock** the trigger on, hold in the lock-on button while pulling the trigger. Release the trigger.
2. To **unlock** the trigger, pull the trigger and release. The lock-on button will pop out.

### Using the Dial Speed Control (Cat. No. 6078 only)

Cat. No. 6078 has a dial speed control and variable speed trigger switch. The maximum speed may be preset using the speed control dial and the speed may be varied by the trigger switch. Speed control dial settings range from 1 to 5. Lower numbers correspond to lower speeds and higher numbers correspond to higher speeds. Use the setting that best suits the work.

To control the speed, set the dial to the desired number. Then, pull the trigger. Increase or decrease pressure on the trigger to vary the speed. To stop the tool, release the trigger.

### Sanding Disc and Grinding Wheel Selection



### WARNING!

To reduce the risk of personal injury and damage to the tool, use ONLY accessories rated at or above the RPM listed on the "WARNING" section of the tool's nameplate.

Use sanding discs and grinding wheels that are:

- correct size as written on tool's nameplate
- correct wheel type and grit for the job
- rated at or above the RPM listed in the "WARNING" section on the tool's nameplate

Use backing pads, adapters, and other accessories that are:

- correct size for tool and for sanding disc or grinding wheel
- rated at or above the RPM listed in the "WARNING" section on the tool's nameplate
- the proper accessory for the job

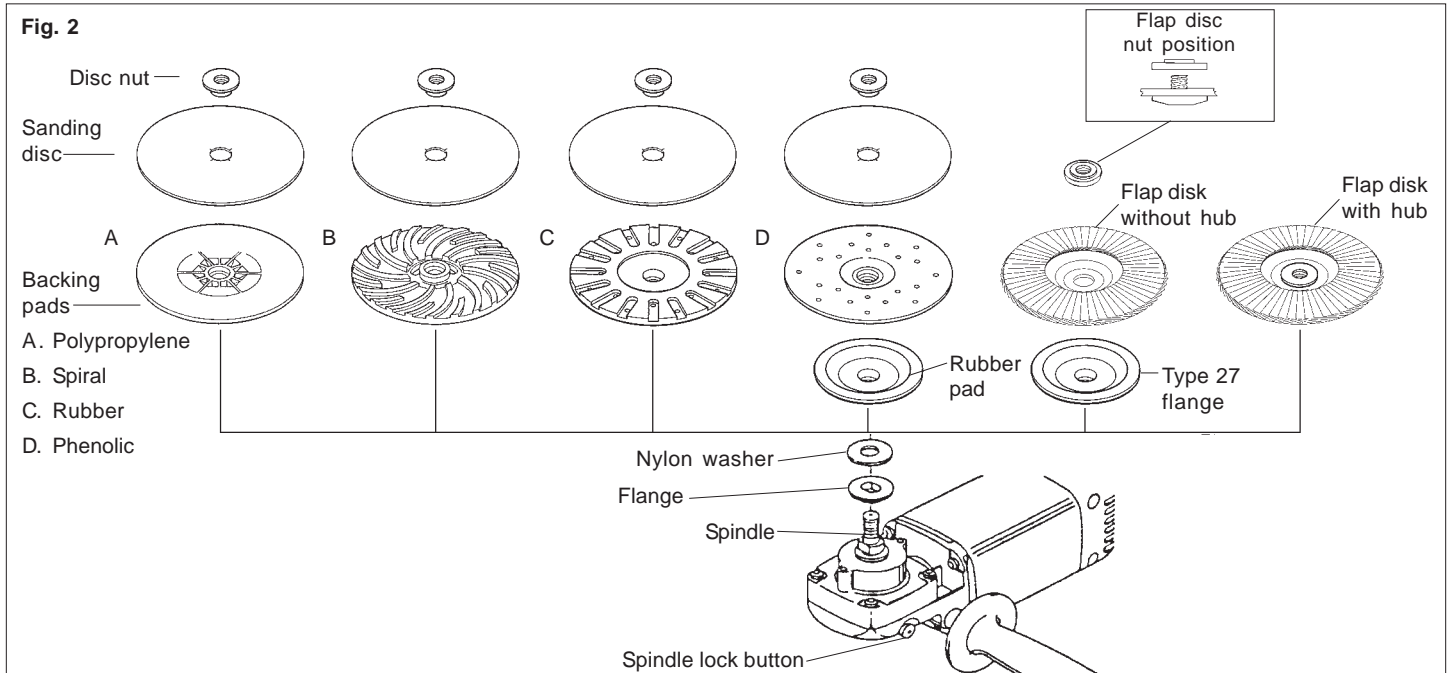
### Sanding Disc and Grinding Wheel Material

Sanding discs and grinding wheels are made of various materials and are designed for different jobs. Be sure that you choose the proper sanding disc or grinding wheel for the job you plan to do.

## USING SANDING DISCS

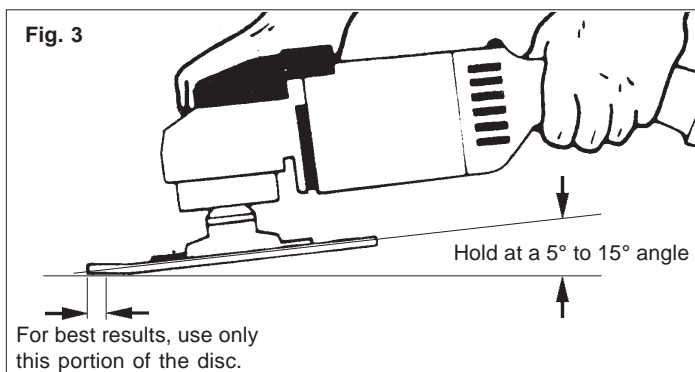
### Installing Sanding Discs (Fig. 2)

1. Unplug tool and place it upside down on a level surface as shown. Remove any accessories from spindle.
2. Thread flange and nylon washer onto spindle. Attach backing pad and sanding disc using Fig. 2 to determine type and order of assembly.  
**NOTE:** When installing flap disc without hub, position flap disc nut as shown.
3. To tighten, press in the spindle lock button while turning disc nut clockwise.
4. To remove sanding disc and backing pad, unplug tool and reverse procedure.



### Sanding (Fig. 3)

1. Use a clamp, vise or other practical means to hold your work, freeing both hands to control your tool. Firmly grasp rear handle and side handle before starting and while tool is in operation. Allow sanding disc to come to full speed before beginning to sand.
2. Hold tool at 5° to 15° angle as shown to ensure proper sanding pressure and control (Fig. 3). Too great an angle will result in too much pressure and could cause excessive wear to the disc and workpiece. Too small an angle will reduce control.



3. Use long, sweeping, side to side strokes, advancing forward to produce the desired finish.

### Removing Welds or Hammer Marks

When removing welds or hammer marks, limit coarse sanding to the immediate area. Use successively finer grits to smooth surface.

### Cross Sanding

When finishing a surface that has been prepared by a coarse disc or wheel, sand at right angles to the strokes made by the coarser disc. Finishing marks left from previous sanding are easily seen and removed for a uniform finish. Failure to cross sand when changing from a coarse disc to a finishing disc may result in deep scratches and circular marks.

### Finishing Metal

Constantly move across the surface. Work faster on curved surfaces where contact areas are smaller and pressure is greater. Flat areas may appear at the end of the stroke when pressure is too heavy. Ease up on pressure at end of each stroke and when reversing strokes.

### Troubleshooting

Deep scratches and circular marks can result from:

- Using too coarse a grit
- Using a partially glazed disc
- Dirt or loose metal on the workpiece
- Failure to sand across the grain when changing from coarse to finishing discs

Bluish discoloration of metal surface indicates:

- Excessive heat caused by circular motion in a small area
- Excessive pressure
- Use of worn out or glazed discs

### Selecting Sanding Discs & Grit

Refer to the table below to select the correct type of sanding disc for your job. Generally, use 16, 24 or 36 grit for heavy stock removal; 50, 60 or 80 grit for medium stock removal and 120 grit for finishing. Always begin with a coarse grit, using successively finer grits to obtain the desired finish. See Catalog for a complete list of *MILWAUKEE* sanding discs.

Aluminum Oxide	Aluminum Zirconia Bi-Cut	Ceramic
For fast cutting, general purpose discs for most metal jobs. Best for cold-rolled steel, stainless steel or metals requiring tough, fast cutting, long lasting abrasives.	Unique grit pattern is arranged in clusters for faster stock removal and cleaning. Ideal for removing paint from cars, boats, etc. without clogging.	Lasts up to 3 times longer than aluminum oxide discs. For general metal working. Ideal for tough jobs.

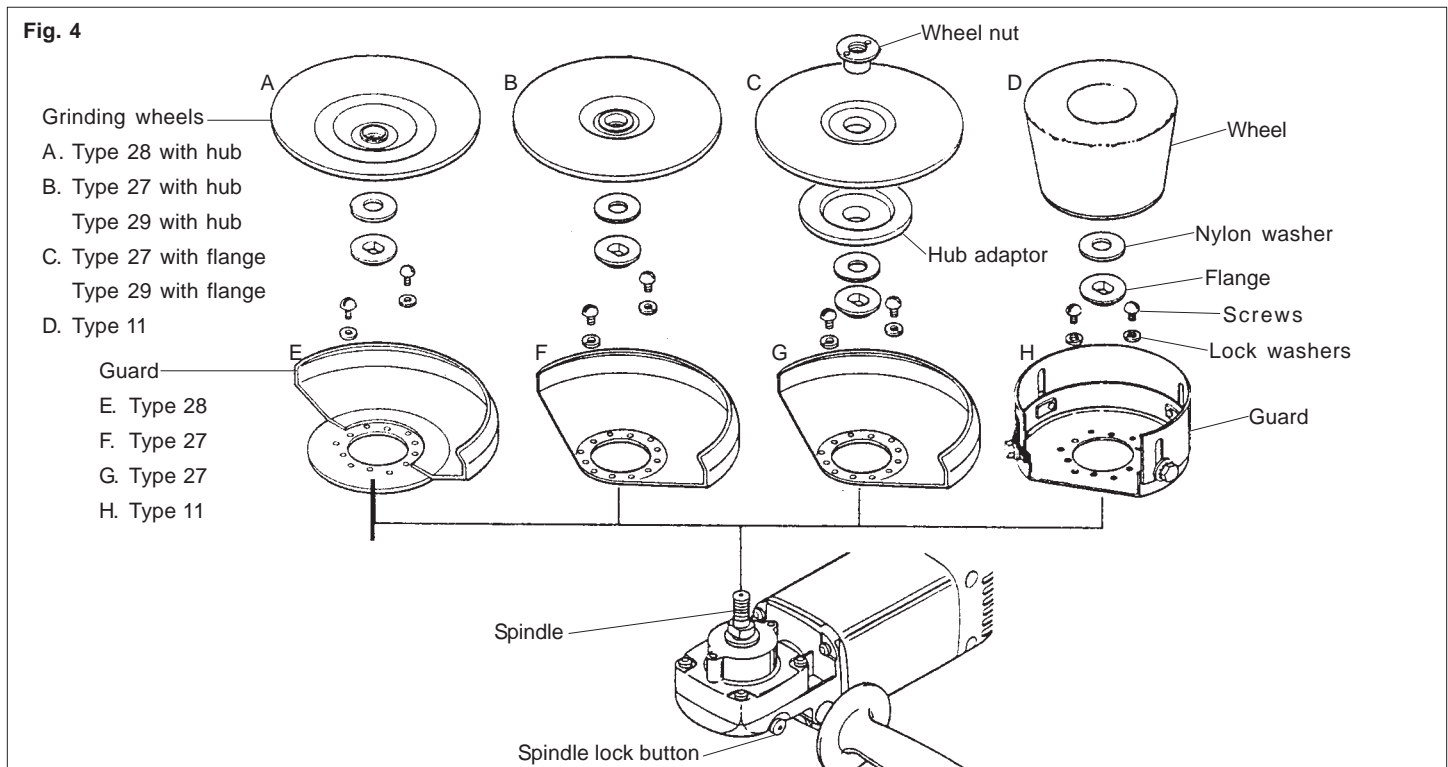
## USING GRINDING AND CUT-OFF WHEELS

### Installing Grinding Wheels (Fig. 4)

1. Unplug tool and place it upside down on a level surface as shown. Remove any accessories from spindle.
2. Thread flange and nylon washer onto spindle. Attach guard and grinding wheel using Fig. 4 to determine type and order of assembly (See "Installing, Adjusting, and Removing the Guard" for attaching guard). **NOTE:** When installing Type 27 or Type 29 grinding wheels, position wheel nut according to wheel thickness.

Position the guard in the location which offers best control and guard protection. For operating zones that provide maximum protection for the operator, see "Grinding". **NOTE:** When selecting Type 11 grinding cup wheels, the guard's skirt should be adjusted so that no more than 1/8" of the wheel extends beyond the guard.

3. To tighten, press in the spindle lock button while turning wheel or disc nut clockwise using the spanner wrench provided.
4. To remove grinding wheel and guard, unplug tool and reverse procedure.



### Care of Grinding & Cut-Off Wheels



To reduce the risk of injury, the operator should be instructed in the use, care and protection of grinding wheels.

Grinding and cut-off wheels should be protected from:

- wetness and extreme humidity
- any type of solvent
- extreme changes in temperature
- dropping and bumping

Grinding and cut-off wheels should be stored:

- in an organized way so wheels can be removed without disturbing or damaging other wheels
- with their safety information

Grinding and cut-off wheels should NOT be:

- dropped
- rolled
- bumped

If any wheel is dropped, rolled, bumped, subjected to extreme changes in temperature, or has come into contact with solvents or wetness, discard wheel immediately.

### Troubleshooting

Deep scratches and circular marks can result from:

- Uneven pressure
- Using a partially glazed wheel - especially on aluminum applications
- Dirt or loose metal on the workpiece
- Failure to constantly move across surface

Bluish discoloration of metal surface indicates:

- Excessive heat caused by circular motion in a small area
- Excessive pressure
- Use of worn out or glazed wheels

### Inspecting Wheels

Always handle wheels carefully to avoid damage. Before installing any wheel, always inspect it for cracks. If wheel is cracked, discard it to prevent others from using it.



## Selecting Wheels



### WARNING!

Only use wheels with Maximum Safe Operating Speed rated at or above the RPM listed on the "WARNING" section of the tool's nameplate. This speed is based on the strength of the wheel, allowing for a reasonable measure of safety. It is not meant to imply a best or most efficient operating speed. Do not exceed the Maximum Safe Operating Speed.

Grinding is the cutting action of thousands of abrasive grains on the face of a grinding wheel. When grinding metals such as steel and iron, choose an aluminum oxide grinding wheel. Select a silicon carbide grinding wheel for stone and concrete. Use cotton reinforced wheels for non-ferrous metals. Type 27 reinforced 1/8" cut-off wheels are suited for small cut-off and shallow notching operations only.

## Grinding (Fig. 5 & 6)



### WARNING!

To reduce the risk of injury when grinding:

- ALWAYS hold the tool firmly with both hands using the handles provided; before and during grinding
- NEVER allow the wheel to bind
- NEVER use a wheel that has been dropped
- NEVER bang grinding wheel onto work
- NEVER grind without proper safety equipment

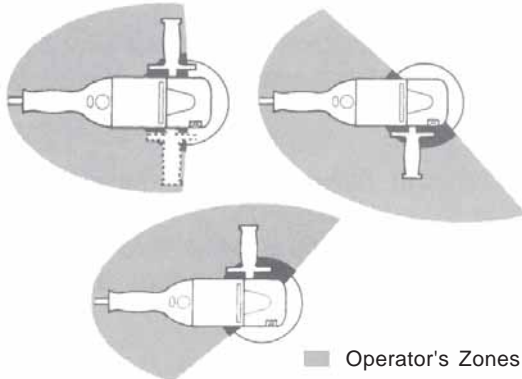


### WARNING!

To reduce the risk of injury when grinding, ALWAYS use the proper guard. ALWAYS properly install the guard.

1. Depending on your job, position the guard to provide maximum protection for the operator (Fig. 5).

Fig. 5

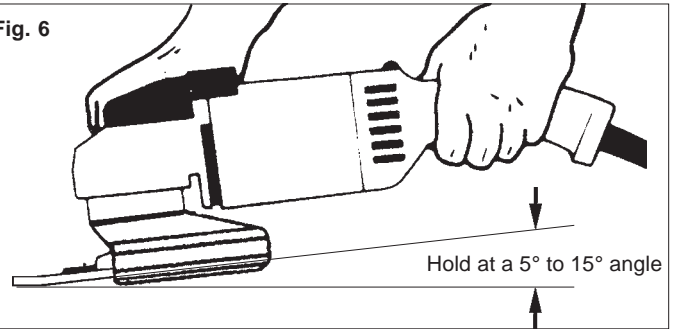


2. If you have just installed a grinding wheel or are just beginning a period of work, test the wheel by letting it spin for one minute before applying it to the workpiece.

**NOTE:** Out-of-balance wheels can mar workpiece, damage the tool, and cause stress to wheel that may cause wheel failure.

3. Firmly grasp rear handle and side handle before starting and while using tool. Allow wheel to come to full speed before starting to grind.
4. When grinding, hold tool at a 5° to 15° angle as shown, using constant pressure for a uniform finish (Fig. 6). Too great an angle causes too much pressure on small areas which may gouge or burn work surface.

Fig. 6



5. Control pressure and surface contact between wheel and workpiece. Too much pressure slows cutting speed.

## Using Type 27 Cut-Off Wheels (Fig. 7)



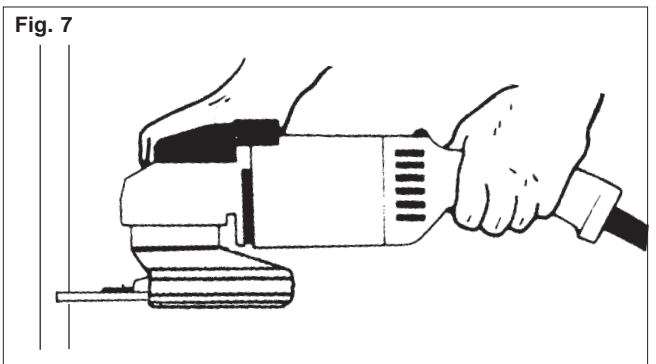
### WARNING!

A Type 27 guard must be installed when using a Type 27 cut-off wheel to provide maximum protection for the operator if the wheel should break.

Type 27 cut-off wheels are only suited for small cut-off and shallow notching operations.

1. Firmly grasp rear handle and side handle before starting and while using tool. Allow wheel to come to full speed before starting.
2. When using a cut-off wheel, hold tool as shown, using only the edge of the wheel (Fig. 7).

Fig. 7



3. Control pressure and surface contact between wheel and workpiece. Too much pressure slows cutting speed.

## USING WIRE BRUSHES

### Selecting Wire Brushes

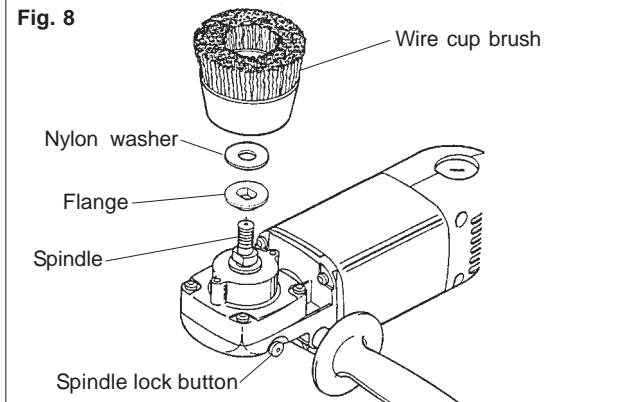
Wire brushes are useful for removing rust, scale, burrs, weld slag, etc. A wide variety of wire brushes are available for many applications.



#### WARNING!

Everyone in the area must wear protective clothing and safety goggles or face shields. Fatigued wires and residue will fly off the brush with considerable force, causing the potential for serious injuries.

### Installing Wire Cup Brushes (Fig. 8)



1. Unplug tool and place it upside down on a level surface. Remove any accessories from spindle.

**NOTE:** Never use a guard with a wire cup brush.

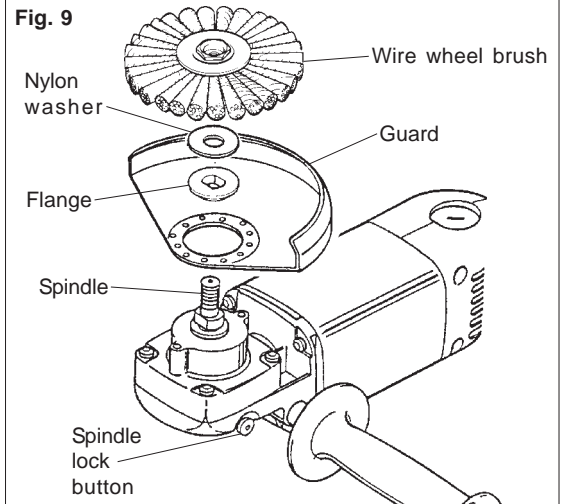
2. Thread flange and nylon washer onto spindle. Attach wire cup brush onto spindle.
3. Press in the spindle lock button while tightening brush with a wrench (not provided with tool).
4. To remove wire cup brush, unplug tool and reverse procedure.

### Installing Wire Wheel Brushes (Fig. 9)



#### WARNING!

Because the wires on wire wheel brushes are directed towards the operator, a Type 27 guard must be used to protect the operator when fatigued wires break.



1. Unplug tool and place it upside down on a level surface. Remove any accessories from spindle.
2. Thread flange and nylon washer onto spindle. Attach guard and wire wheel brush onto spindle (see Fig. 4 for attaching guard).  
Position the guard in the location which offers best control and guard protection. For operating zones that provide maximum protection for the operator, see "Grinding".
3. Press in the spindle lock button while tightening brush with a wrench (not provided with tool).
4. To remove wire wheel brush and guard, unplug tool and reverse procedure.

### Using Wire Brushes



#### WARNING!

Never exceed Maximum Safe Operating Speed of the brush. Do not use a damaged brush or one which is functioning improperly (throwing wires, out-of-balance, etc.). These conditions increase the possibility of further brush failure and possible injury. Discard and replace damaged brushes immediately.

1. Do not wear loose clothing when using wire brushes. The wires may catch on loose clothing and pull the clothing into the moving parts.
2. Firmly grasp rear handle and side handle before starting and while using tool. Always test the wire brush for balance and loose or damaged wires by running tool at no load speed for at least one minute before applying it to your work.
3. When applying brush to work, avoid using too much pressure. This causes over-bending of wires and heat build-up resulting in premature wire breakage, rapid dulling and reduced brush life.  
Instead of using more pressure, try a wire wheel brush with more aggressive cutting action (increased wire size, decreased wire length or different brush type, i.e. knot type instead of crimped wire type).

## MAINTENANCE



### WARNING!

To reduce the risk of injury, always unplug your tool before performing any maintenance. Never disassemble the tool or try to do any rewiring on the tool's electrical system. Contact a **MILWAUKEE** service facility for ALL repairs.

### Maintaining Tools

Keep your tool in good repair by adopting a regular maintenance program. Before use, examine the general condition of your tool. Inspect guards, switches, tool cord set and extension cord for damage. Check for loose screws, misalignment, binding of moving parts, improper mounting, broken parts and any other condition that may affect its safe operation. If abnormal noise or vibration occurs, turn the tool off immediately and have the problem corrected before further use. Do not use a damaged tool. Tag damaged tools "DO NOT USE" until repaired (see "Repairs").

Under normal conditions, relubrication is not necessary until the motor brushes need to be replaced. After six months to one year, depending on use, return your tool to the nearest **MILWAUKEE** service facility for the following:

- Lubrication
- Brush inspection and replacement
- Mechanical inspection and cleaning (gears, spindles, bearings, housing, etc.)
- Electrical inspection (switch, cord, armature, etc.)
- Testing to assure proper mechanical and electrical operation



### WARNING!

To reduce the risk of injury, electric shock and damage to the tool, never immerse your tool in liquid or allow a liquid to flow inside the tool.

### Cleaning

Clean dust and debris from vents. Keep the tool handles clean, dry and free of oil or grease. Use only mild soap and a damp cloth to clean your tool since certain cleaning agents and solvents are harmful to plastics and other insulated parts. Some of these include: gasoline, turpentine, lacquer thinner, paint thinner, chlorinated cleaning solvents, ammonia and household detergents containing ammonia. Never use flammable or combustible solvents around tools.

### Repairs

If your tool is damaged, return the entire tool to the nearest service center.

## ACCESSORIES



### WARNING!

To reduce the risk of injury, always unplug the tool before attaching or removing accessories. Use only specifically recommended accessories. Others may be hazardous.

For a complete listing of accessories refer to your **MILWAUKEE** Electric Tool catalog or go on-line to [www.milwaukeetool.com](http://www.milwaukeetool.com). To obtain a catalog, contact your local distributor or a service center.

### Replacement Flange

Cat. No. 49-05-0060

For replacement of lost or damaged flanges.

### Replacement Nylon Washer

Cat. No. 45-88-8465

For replacement of lost or damaged washers.

### Steel Carrying Case

Cat. No. 48-55-0890

Store and protect your investment as well as organize your accessories with this rugged steel case.

### Side Handle

Cat. No. 43-62-0880

For replacement of lost or damaged side handles.

### Abrasive Disc Cutter

Cat. No. 49-80-1000

Extend the life of larger used abrasive discs by trimming them down to smaller sizes, exposing fresh grit surfaces for use.

## FIVE YEAR TOOL LIMITED WARRANTY

Every **MILWAUKEE** tool is tested before leaving the factory and is warranted to be free from defects in material and workmanship. **MILWAUKEE** will repair or replace (at **MILWAUKEE**'s discretion), without charge, any tool (including battery chargers) which examination proves to be defective in material or workmanship from five (5) years after the date of purchase. Return the tool and a copy of the purchase receipt or other proof of purchase to a **MILWAUKEE** Factory Service/Sales Support Branch location or **MILWAUKEE** Authorized Service Station, freight prepaid and insured. This warranty does not cover damage from repairs made or attempted by other than **MILWAUKEE** authorized personnel, abuse, normal wear and tear, lack of maintenance, or accidents.

Battery Packs, Flashlights, and Radios are warranted for one (1) year from the date of purchase.

THE REPAIR AND REPLACEMENT REMEDIES DESCRIBED HEREIN ARE EXCLUSIVE. IN NO EVENT SHALL **MILWAUKEE** BE LIABLE FOR ANY INCIDENTAL, SPECIAL, OR CONSEQUENTIAL DAMAGES, INCLUDING LOSS OF PROFITS.

THIS WARRANTY IS EXCLUSIVE AND IN LIEU OF ALL OTHER WARRANTIES, OR CONDITIONS, WRITTEN OR ORAL, EXPRESSED OR IMPLIED FOR MERCHANTABILITY OR FITNESS FOR PARTICULAR USE OR PURPOSE.

This warranty gives you specific legal rights. You may also have other rights that vary from state to state and province to province. In those states that do not allow the exclusion of implied warranties or limitation of incidental or consequential damages, the above limitations or exclusions may not apply to you. This warranty applies to the United States, Canada, and Mexico only.

## RÈGLES GÉNÉRALES DE SÉCURITÉ POUR LES OUTILS ÉLECTRIQUE



### AVERTISSEMENT!

#### LIRE SOIGNEUSEMENT TOUTES LES INSTRUCTIONS

Le non respect des instructions ci-après peut entraîner des chocs électriques, des incendies et/ou des blessures graves. Le terme «outil électrique» figurant dans les avertissements ci-dessous renvoie à l'outil électrique à alimentation par le réseau (à cordon) ou par batterie (sans fil).

#### CONSERVER CES INSTRUCTIONS

### SÉCURITÉ DU LIEU DE TRAVAIL

1. **Maintenir la zone de travail propre et bien éclairée.** Les zones encombrées ou mal éclairées sont favorables aux accidents.
2. **Ne pas utiliser d'outil électrique dans une atmosphère explosive, telle qu'en en présence de liquides, de gaz ou de poussières inflammables.** Les outils électriques génèrent des étincelles qui peuvent enflammer les poussières ou les fumées.
3. **Tenir les enfants et les personnes non autorisées à l'écart pendant le fonctionnement d'un outil électrique.** Un manque d'attention de l'opérateur risque de lui faire perdre le contrôle de l'outil.

### SÉCURITÉ ÉLECTRIQUE

4. **La fiche de l'outil électrique doit correspondre à la prise d'alimentation. Ne jamais modifier la fiche d'une manière quelconque. Ne pas utiliser d'adaptateur avec les outils électriques mis à la terre (à la masse).** Des fiches non modifiées et des prises d'alimentation assorties réduisent le risque de choc électrique.
5. **Éviter tout contact corporel avec des surfaces reliées à la masse ou à la terre telles que tuyaux, radiateurs, cuisinières et réfrigérateurs.** Un risque de choc électrique plus élevé existe si le corps est relié à la masse ou à la terre.
6. **Ne pas exposer les outils électriques à la pluie ou à l'humidité.** Le risque de choc électrique augmente si de l'eau s'infiltré dans un outil électrique.
7. **Prendre soin du cordon. Ne jamais utiliser le cordon pour transporter, tirer ou débrancher l'outil électrique. Tenir le cordon à l'écart de la chaleur, des huiles, des arêtes coupantes ou des pièces en mouvement.** Un cordon endommagé ou emmêlé présente un risque accru de choc électrique.
8. **Se procurer un cordon d'alimentation approprié en cas d'utilisation d'un outil électrique à l'extérieur.** L'utilisation d'un cordon d'alimentation pour usage extérieur réduit le risque de choc électrique.

### SÉCURITÉ INDIVIDUELLE

9. **Être sur ses gardes, être attentif et faire preuve de bon sens en utilisant un outil électrique. Ne pas utiliser un outil électrique en cas de fatigue ou sous l'influence de drogues, d'alcool ou de médicaments.** Un instant d'inattention lors de l'utilisation d'un outil électrique peut entraîner des blessures graves.
10. **Utiliser un équipement de sécurité. Toujours porter des lunettes de protection.** Un équipement de sécurité comprenant masque anti-poussière, chaussures de sécurité anti-dérapantes, casque ou dispositif de protection anti-bruit peut, dans les circonstances appropriées, réduire le risque de blessure.
11. **Éviter tout démarrage accidentel de l'outil. S'assurer que le commutateur est en position OFF (Arrêt) avant de brancher l'outil.** Le port de l'outil avec un doigt sur le commutateur ou son branchement avec le commutateur en position ON (Marche) sont favorables aux accidents.
12. **Retirer toute clé de réglage avant de mettre l'outil sous tension.** Une clé laissée attachée sur une pièce mobile de l'outil électrique peut entraîner des blessures.

13. **Ne pas travailler à bout de bras. Bien garder un bon équilibre à tout instant.** Ceci permet de mieux préserver la maîtrise de l'outil électrique dans des situations imprévues.
14. **Porter des vêtements adéquats. Ne pas porter de vêtements amples ni de bijoux. Ne pas approcher les cheveux, vêtements et gants des pièces en mouvement.** Les vêtements amples, les bijoux ou les cheveux longs risquent d'être happés par les pièces en mouvement.
15. **Si des dispositifs sont prévus pour l'extraction et la récupération des poussières, vérifier qu'ils sont connectés et utilisés correctement.** L'utilisation de ces dispositifs peut réduire les risques liés aux poussières.

### UTILISATION ET ENTRETIEN DE L'OUTIL ÉLECTRIQUE

16. **Ne pas forcer l'outil électrique. Utiliser l'outil électrique approprié à l'application considérée.** L'outil électrique adapté au projet considéré produira de meilleurs résultats, dans des conditions de sécurité meilleures, à la vitesse pour laquelle il a été conçu.
17. **Ne pas utiliser l'outil électrique si le commutateur ne le met pas sous ou hors tension.** Tout outil électrique dont le commutateur de marche-arrêt est inopérant est dangereux et doit être réparé.
18. **Débrancher la fiche de la prise d'alimentation et/ou la batterie de l'outil électrique avant d'effectuer des réglages, de changer d'accessoires ou de ranger l'outil.** De telles mesures de sécurité préventive réduisent le risque de mettre l'outil en marche accidentellement.
19. **Ranger les outils électriques inutilisés hors de la portée des enfants et ne pas laisser des personnes qui connaissent mal les outils électriques ou ces instructions utiliser ces outils.** Les outils électriques sont dangereux dans les mains d'utilisateurs non formés à leur usage.
20. **Entretien des outils électriques. S'assurer de l'absence de tout désalignement ou de grippage des pièces mobiles, de toute rupture de pièce ou de toute autre condition qui pourrait affecter le bon fonctionnement de l'outil électrique. En cas de dommages, faire réparer l'outil avant de l'utiliser de nouveau.** Les outils électriques mal entretenus sont à la source de nombreux accidents.
21. **Garder les outils de coupe affûtés et propres.** Les outils de coupe correctement entretenus et bien affûtés risquent moins de se gripper et sont plus faciles à manier.
22. **Utiliser cet outil électrique, les accessoires, les mèches, etc. conformément à ces instructions et de la façon prévue pour ce type particulier d'outil électrique, tout en prenant en compte les conditions de travail et le type de projet considérés.** L'utilisation de cet outil électrique pour un usage autre que l'usage prévu peut créer des situations dangereuses.








### ENTRETIEN

23. **Faire effectuer l'entretien de l'outil électrique par un technicien qualifié qui n'utilisera que des pièces de rechange identiques.** La sécurité d'utilisation de l'outil en sera préservée.

## RÈGLES DE SÉCURITÉ PARTICULIÈRE

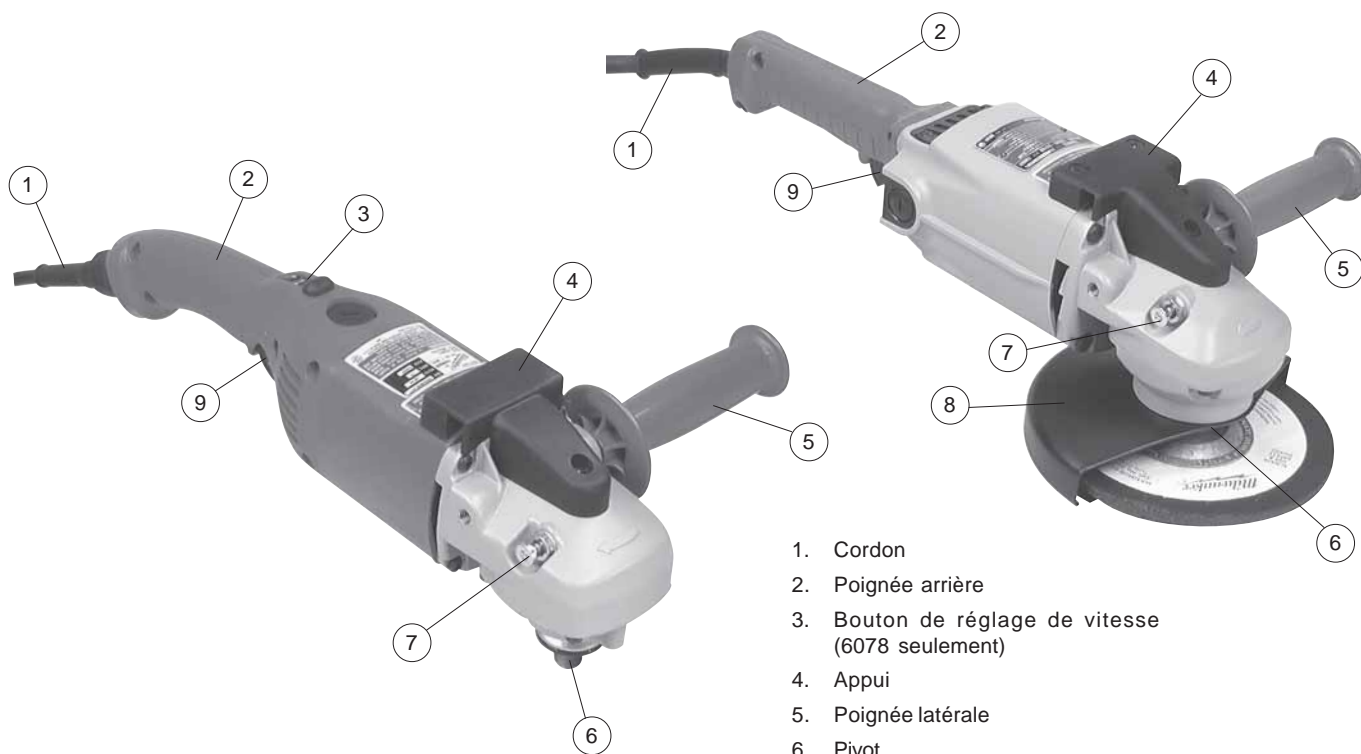
1. **Utilisez toujours le garde approprié au disque abrasif.** Le garde protège l'utilisateur contre les éclats si le disque se brise.
2. **Les accessoires doivent être calibrés pour la vitesse de rotation mentionnée sur la fiche signalétique de l'outil.** Les disques et les accessoires employés à une vitesse de rotation plus haute que celle pour laquelle ils sont calibrés peuvent être projetés ou éclater et causer des blessures.
3. **Assurez-vous que les brides de meule et tout le matériel de montage sont en bon état et proprement utilisés.** Les pièces défectueuses ou manquantes peuvent occasionner des dommages aux meules et aux accessoires. Utilisez toujours le matériel de montage qui accompagne l'outil.
4. **Tenir l'outil par les surfaces de prise isolées si, au cours des travaux, l'outil de coupe risque d'entrer en contact avec des fils cachés ou avec son propre cordon.** Le contact avec un fil sous tension met les parties métalliques exposées de l'outil sous tension, ce qui infligera un choc électrique à l'opérateur.
5. **Tenez les mains à l'écart des arêtes tranchantes et des pièces en mouvement.**
6. **Entretenez les étiquettes et marques du fabricant.** Les indications qu'elles contiennent sont précieuses. Si elles deviennent illisibles ou se détachent, faites-les remplacer gratuitement à un centre de service *MILWAUKEE* accrédité.
7. **AVERTISSEMENT!** La poussière dégagée par perçage, sciage et autres travaux de construction contient des substances chimiques reconnues comme pouvant causer le cancer, des malformations congénitales ou d'autres troubles de reproduction. Voici quelques exemples de telles substances :
  - Le plomb contenu dans la peinture au plomb.
  - Le silice cristallin contenu dans la brique, le béton et divers produits de maçonnerie.
  - L'arsenic et le chrome servant au traitement chimique du bois.

Les risques associés à l'exposition à ces substances varient, dépendant de la fréquence des travaux. Afin de minimiser l'exposition à ces substances chimiques, assurez-vous de travailler dans un endroit bien aéré et d'utiliser de l'équipement de sécurité tel un masque antipoussière spécifiquement conçu pour la filtration de particules microscopiques.

Pictographie	
	Double Isolation
	l'Association canadienne de normalisation (ACNOR)
	Underwriters Laboratories, Inc.
	Courant alternatif ou direct
	Courant alternatif
$n_0 \text{ XXXXmin.}^{-1}$	Tours-minute à vide (RPM)
	Ampères
	Los estándares mexicanos de la seguridad

Spécifications						
No de Cat.	Volts	A	T/Min. à vide	Dimension Pivot	Dimension Meule	Calibre Minimal T/ Min. Meule
6065	120 CA/CD	15	5 000	5/8"-11	180/230 mm (7"/9")	5 500
6065-6	120 CA/CD	15	5 000	5/8"-11	180/230 mm (7"/9")	5 500
6066	120 CA/CD	15	6 000	5/8"-11	180/230 mm (7"/9")	6 500
6066-6	120 CA/CD	15	6 000	5/8"-11	180/230 mm (7"/9")	6 500
6067	120 CA/CD	15	5 000	5/8"-11	230 mm (9")	5 500
6068	120 CA/CD	15	6 000	5/8"-11	180 mm (7")	6 500
6072	120 CA/CD	13	5 000	5/8"-11	230 mm (9")	5 500
6078	120 CA	13	0 - 6 000	5/8"-11	180 mm (7")	6 500

### DESCRIPTION FONCTIONNELLE



1. Cordon
2. Poignée arrière
3. Bouton de réglage de vitesse (6078 seulement)
4. Appui
5. Poignée latérale
6. Pivot
7. Bouton de verrouillage du pivot
8. Garde-meule
9. Détente

## MISE À LA TERRE



**Si le fil de mise à la terre est incorrectement raccordé, il peut en résulter des risques de choc électrique. Si vous n'êtes pas certain que la prise dont vous vous servez est correctement mise à la terre, faites-la vérifier par un électricien. N'altérez pas la fiche du cordon de l'outil. N'enlevez pas de la fiche, la dent qui sert à la mise à la terre. N'employez pas l'outil si le cordon ou la fiche sont en mauvais état. Si tel est le cas, faites-les réparer dans un centre-service MILWAUKEE accrédité avant de vous en servir. Si la fiche du cordon ne s'adapte pas à la prise, faites remplacer la prise par un électricien.**

### Outils mis à la terre : Outils pourvus d'une fiche de cordon à trois dents

Les outils marqués « Mise à la terre requise » sont pourvus d'un cordon à trois fils dont la fiche a trois dents. La fiche du cordon doit être branchée sur une prise correctement mise à la terre (voir Figure A). De cette façon, si une défectuosité dans le circuit électrique de l'outil survient, le relais à la terre fournira un conducteur à faible résistance pour décharger le courant et protéger l'utilisateur contre les risques de choc électrique.

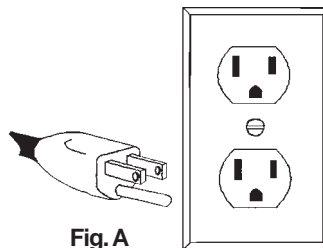


Fig. A

La dent de mise à la terre de la fiche est reliée au système de mise à la terre de l'outil via le fil vert du cordon. Le fil vert du cordon doit être le seul fil raccordé à un bout au système de mise à la terre de l'outil et son autre extrémité ne doit jamais être raccordée à une borne sous tension électrique.

Votre outil doit être branché sur une prise appropriée, correctement installée et mise à la terre conformément aux codes et ordonnances en vigueur. La fiche du cordon et la prise de courant doivent être semblables à celles de la Figure A.

### Outils à double isolation : Outils pourvus d'une fiche de cordon à deux dents

Les outils marqués « Double Isolation » n'ont pas besoin d'être raccordés à la terre. Ils sont pourvus d'une double isolation conforme aux exigences de l'OSHA et satisfont aux normes de l'Underwriters Laboratories, Inc., de l'Association canadienne de normalisation (ACNOR) et du « National Electrical Code » (code national de l'électricité). Les outils à double isolation peuvent être branchés sur n'importe laquelle des prises à 120 volt illustrées ci-contre Figure B et C.

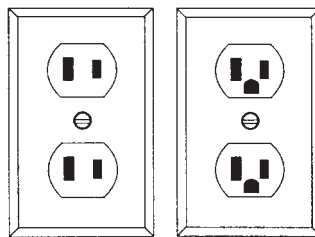


Fig. B

Fig. C

## CORDONS DE RALLONGE

Si l'emploi d'un cordon de rallonge est nécessaire, un cordon à trois fils doit être employé pour les outils mis à la terre. Pour les outils à double isolation, on peut employer indifféremment un cordon de rallonge à deux ou trois fils. Plus la longueur du cordon entre l'outil et la prise de courant est grande, plus le calibre du cordon doit être élevé. L'utilisation d'un cordon de rallonge incorrectement calibré entraîne une chute de voltage résultant en une perte de puissance qui risque de détériorer l'outil. Reportez-vous au tableau ci-contre pour déterminer le calibre minimum du cordon.

Moins le calibre du fil est élevé, plus sa conductivité est bonne. Par exemple, un cordon de calibre 14 a une meilleure conductivité qu'un cordon de calibre 16. Lorsque vous utilisez plus d'une rallonge pour couvrir la distance, assurez-vous que chaque cordon possède le calibre minimum requis. Si vous utilisez un seul cordon pour brancher plusieurs outils, additionnez le chiffre d'intensité (ampères) inscrit sur la fiche signalétique de chaque outil pour obtenir le calibre minimal requis pour le cordon.

### Directives pour l'emploi des cordons de rallonge

- Si vous utilisez une rallonge à l'extérieur, assurez-vous qu'elle est marquée des sigles « W-A » (« W » au Canada) indiquant qu'elle est adéquate pour usage extérieur.
- Assurez-vous que le cordon de rallonge est correctement câblé et en bonne condition. Remplacez tout cordon de rallonge détérioré ou faites-le remettre en état par une personne compétente avant de vous en servir.
- Tenez votre cordon de rallonge à l'écart des objets ranchants, des sources de grande chaleur et des endroits humides ou mouillés.

### Calibres minimaux recommandés pour les cordons de rallonge\*

Fiche signalétique Ampères	Longueur du cordon de rallonge (m)					
	7,6	15,2	22,8	30,4	45,7	60,9
0 - 5,0	16	16	16	14	12	12
5,1 - 8,0	16	16	14	12	10	--
8,1 - 12,0	14	14	12	10	--	--
12,1 - 15,0	12	12	10	10	--	--
15,1 - 20,0	10	10	10	--	--	--

\* Basé sur une chute de voltage limite de 5 volts à 150% de l'intensité moyenne de courant.

**LISEZ ATTENTIVEMENT CES INSTRUCTIONS  
ET CONSERVEZ-LES POUR LES  
CONSULTER AU BESOIN.**

## MONTAGE DE L'OUTIL

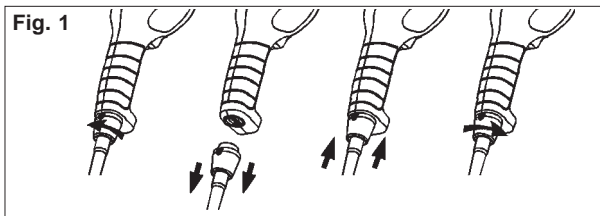


### AVERTISSEMENT!

Pour minimiser les risques de blessures, débranchez toujours l'outil avant d'y faire des réglages, d'y attacher ou d'en enlever les accessoires. L'usage d'accessoires autres que ceux qui sont spécifiquement recommandés pour cet outil peut comporter des risques.

### Retrait et remplacement du cordon Quik-Lok® (Fig. 1) (Certains Modèles)

Les cordons Quik-Lok® exclusifs à MILWAUKEE permettent d'installer le cordon ou de le remplacer sur place en un tournemain.



1. Pour retirer le cordon Quik-Lok®, tournez l'écrou du cordon 1/4 de tour vers la gauche et retirez-le.
2. Pour remettre le cordon en place, alignez les rainures à clavettes du connecteur et poussez le connecteur aussi loin que possible. Tournez ensuite l'écrou du cordon 1/4 de tour vers la droite pour le verrouiller.

### Pose de la poignée latérale

La poignée latérale peut être installée sur le dessus ou sur l'un ou l'autre des côtés de la boîte d'engrenages pour usage gaucher ou droitier. Placez la poignée sur le côté offrant la meilleure maîtrise de l'outil et la meilleure protection du garde-meule. Pour connaître la position offrant la meilleure protection, voir « Meulage ». Vissez la poignée dans la cavité fileté sur le côté de l'outil et serrez-la à fond.

### Installation, réglage et retrait du garde-meule (Certains Modèles)



### AVERTISSEMENT!

Afin de réduire le risque de blessures au cours du meulage, employez toujours le garde approprié et installez-le correctement.

Le garde-meule doit être utilisé lorsque l'outil sert de rectifieuse. Lorsque l'outil est employé comme ponceuse, il faut retirer le garde-meule.

1. Pour installer le garde-meule, débranchez l'outil et placez-le à l'envers sur une surface plane. Enlevez du pivot tous les accessoires.
2. Placez le garde-meule sur le pivot. Placez le garde-meule à la position offrant le meilleure maîtrise et la meilleure protection. Pour connaître la position offrant le meilleure protection, voir « Meulage ».
3. Fixez-le à la moitié inférieure de la boîte d'engrenages en vous servant des vis et des rondelles fournies à cette fin.

## MANIEMENT



### AVERTISSEMENT!

Pour minimiser les risques de blessures, portez des lunettes à coques latérales. Débranchez l'outil avant de changer les accessoires ou d'effectuer des réglages.

### Démarrage et arrêt du moteur

1. Pour mettre l'outil en Los Estándares Mexicanos de la Seguridad, appuyez sur la détente.
2. Pour arrêter l'outil, relâchez la détente.



### AVERTISSEMENT!

Pour minimiser les risques de blessures, n'employez pas le bouton de déverrouillage du pivot pour freiner la rotation de l'outil tandis qu'il est en usage ou qu'il tourne sur son axe.

### Verrouillage de la détente (Certains Modèles)

Le bouton de verrouillage placé à côté de la détente sert à maintenir la détente en position de marche « ON » pour la rotation ininterrompue à plein régime.

1. Pour verrouiller la détente, enfoncez le bouton de verrouillage tout en appuyant sur la détente. Relâchez la détente.
2. Pour déverrouiller la détente, enfoncez et relâchez la détente.

### Utilisation du bouton de réglage de vitesse (No de cat. 6078 seulement)

Le No de cat. 6078 est équipé d'un bouton de réglage de vitesse et d'une gâchette à vitesse variable. La vitesse maximale peut être réglée en utilisant le bouton de réglage de vitesse et la variation de vitesse est obtenue en appuyant sur la gâchette. Les réglages du bouton de réglage de vitesse s'étendent de 1 à 5. Les chiffres moins élevés correspondent à des vitesses plus lentes et les chiffres plus élevés à des vitesses plus rapides. Utilisez le réglage qui convient à la tâche.

Pour contrôler la vitesse, réglez le bouton au chiffre voulu. Appuyez ensuite sur la gâchette. Augmentez ou diminuez la pression sur la gâchette pour faire varier la vitesse. Pour arrêter l'outil, relâchez la gâchette.

### Sélection des disques abrasifs et des meules



### AVERTISSEMENT!

Pour minimiser les risques de blessures corporelles et de dommages à l'outil, n'employez que des accessoires d'un calibre (t/min.) égal ou supérieur à celui qui est indiqué sur la fiche signalétique de l'outil.

Utilisez des disques abrasifs et des meules qui sont :

- du calibre adéquat tel qu'indiqué sur la fiche signalétique de l'outil.
- du genre et de la texture adéquats pour la tâche.
- d'un calibre (t/min.) égal ou supérieur à celui qui est indiqué sur la fiche signalétique de l'outil.

Utilisez des disques d'appui, adaptateurs et autres accessoires qui sont :

- de la bonne dimension pour l'outil, le disque abrasif ou la meule.
- d'un calibre (t/min.) égal ou supérieur à celui qui est indiqué sur la fiche signalétique de l'outil.
- l'accessoire approprié à la tâche.

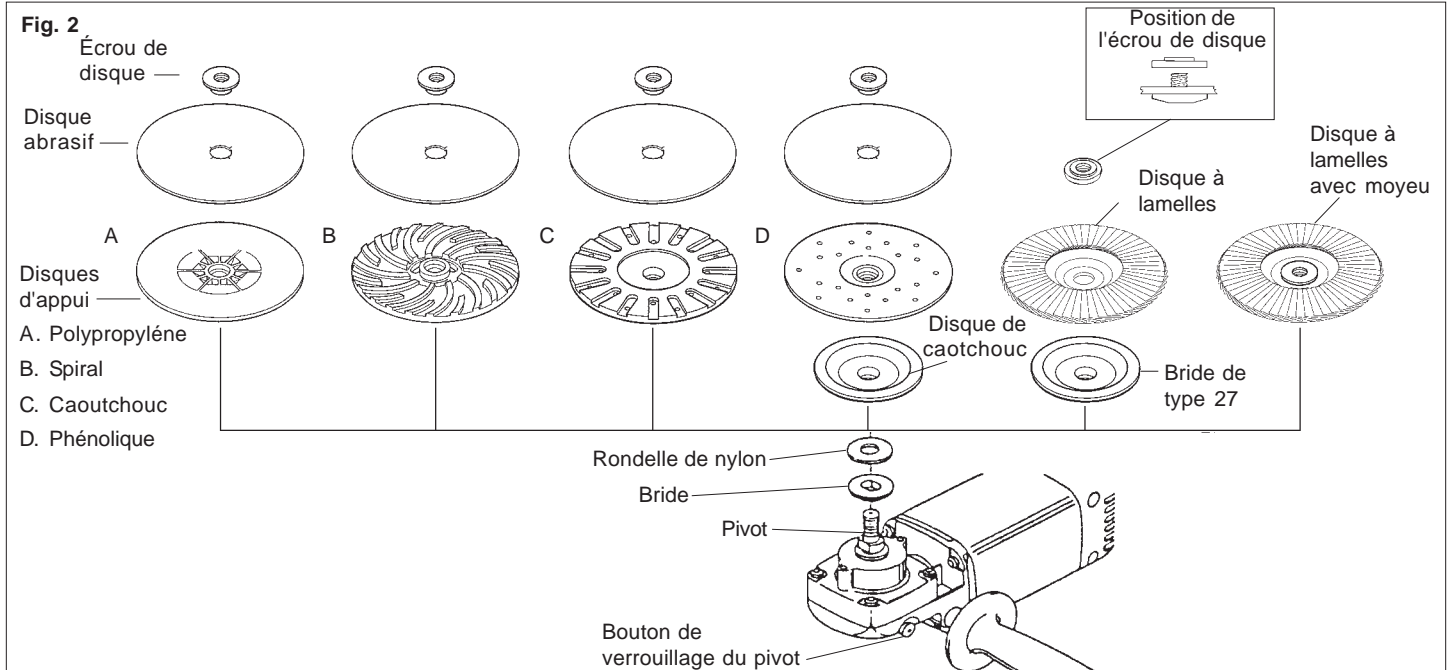
### Composants des disques abrasifs et des meules

Les disques abrasifs et les meules sont faits de divers matériaux et conçus pour des tâches variées. Assurez-vous de choisir le disque ou la meule appropriés au travail que vous vous proposez de faire.



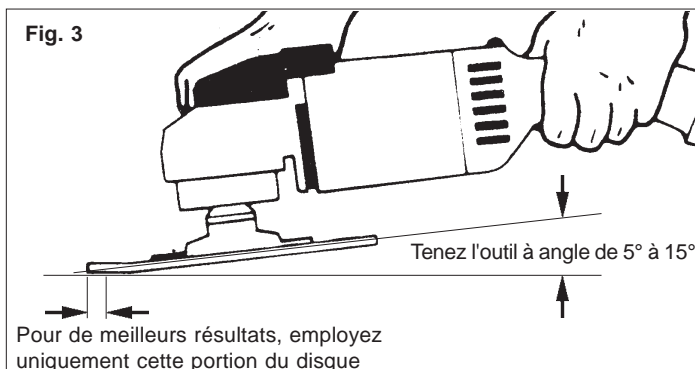
### Installation du disque d'appui et du disque abrasif (Fig. 2)

1. Débranchez l'outil et placez-le à l'envers sur une surface unie, tel qu'indiqué. Retirez les accessoires du pivot.
2. Vissez la rondelle de nylon sur le pivot. Installez le disque d'appui et le disque abrasif en vous guidant sur la vignette (Fig. 2) pour déterminer le mode et l'ordre de montage. **N.B.** Lorsque vous installez un disque à lamelles sans moyeu, positionnez l'écrou de disque sur la vignette.
3. Pour serrer, appuyez sur le bouton de blocage du pivot pendant que vous visserez l'écrou (sens horaire).
4. Pour retirer le disque d'appui et le disque abrasif, débranchez l'outil et inversez le procédé.



### Ponçage (Fig. 3)

1. Maintenez le matériau à poncer avec une fixation, un étau ou par d'autres moyens afin de libérer vos deux mains pour le contrôle de l'outil. Empoignez fermement la poignée arrière et la poignée latérale avant et après le démarrage. Laissez le disque abrasif atteindre son plein régime avant de commencer à poncer.
2. Tenez la ponceuse-rectifieuse à un angle de  $5^\circ$  à  $15^\circ$ , tel qu'indiqué, afin d'assurer la pression de ponçage et le contrôle de l'outil (Fig. 3). Si l'angle de ponçage est trop grand, il s'ensuivra trop de pression et une usure excessive du disque et du matériau. Si l'angle est trop étroit, le contrôle de l'outil en sera réduit.



3. Poncez par mouvements larges d'un côté à l'autre en avançant à chaque mouvement jusqu'à l'obtention du fini souhaitable.

### Ponçage des marques de soudure et de forgeage

Pour faire disparaître les marques de soudure ou de forgeage, limitez le ponçage à grains grossiers au seul endroit marqué. Poncez successivement à plus fins pour lisser la surface.

### Ponçage latéral

Pour finir une surface préalablement poncée avec un disque à grains grossier ou une meule, poncez à angle droit des marques laissées par le disque grossier. Les marques laissées par le ponçage précédent sont faciles à voir et à enlever. Si l'on néglige de poncer latéralement après un changement de disque, il pourra rester des rainures profondes et des marques circulaires à la fin du ponçage.

### Fini du métal

Déplacez constamment la ponceuse sur la surface. Travaillez plus prestement sur les endroits arrondis où le contact avec le disque est restreint et la pression plus grande. Une trop grande pression pourra laisser des marques à la fin d'un mouvement. Réduisez la pression vers la fin des mouvements d'un côté à l'autre pour éviter que les côtés ne soient trop usés à l'endroit où le mouvement revient sur lui-même.

### Dépistage des dérangements

Les rayures profondes peuvent provenir de :

- Usage d'un grain trop grossier.
- Usage d'un disque encroûté.
- Saleté ou particules de métal sur le matériau à poncer.
- Défaut de poncer perpendiculairement aux marques du ponçage grossier après changement de disque.
- Défaut d'utiliser un disque à grains serrés. Les disques à grains serrés perdent moins souvent leurs grains sur la surface.

Le bleuissement de la surface métallique indique une surchauffe qui peut provenir de :

- Surchauffe causée par un mouvement circulaire en espace restreint.
- Pression excessive.
- Emploi d'un disque usé ou encroûté.

## Choix des disques abrasifs et des grains

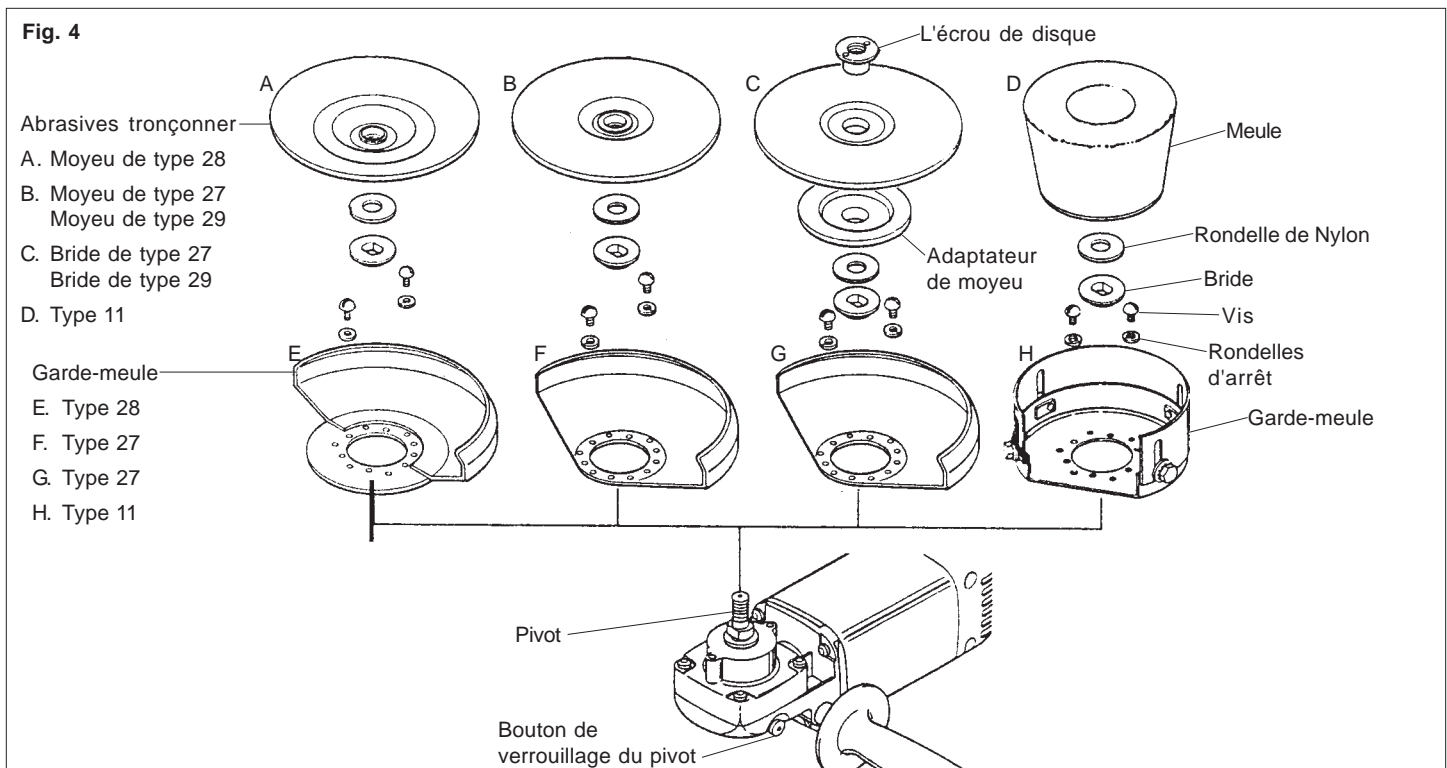
Consultez le tableau ci-dessous pour connaître le disque abrasif qui convienne à votre tâche. En général, utilisez des disques à 16, 24 ou 36 grains pour le décapage robuste; 50, 60 ou 80 grains pour le décapage moyen et 120 pour la finition. Commencez toujours avec un disque à grains grossiers pour continuer avec des disques progressivement plus fins. Voir « Catalogue » pour la gamme complète des disques abrasifs MILWAUKEE.

Corindon	Aluminium-Zircone Bi-Cut	Céramique
Pour abrasion rapide. Disque d'usage général convenant à la plupart des tâches sur les métaux. Idéal pour l'acier laminé à froid, l'acier inoxydable et les métaux exigeant un abrasif robuste et durable.	Conception unique des grains formant un agglomérat rugueux pour extirper les dépôts et nettoyer rapidement. Idéal pour décapier sans encroûter la peinture des autos, bateaux, fibre de verre, etc.	Dure trois fois plus longtemps qu'un disque en corindon. Pour le travail général sur les métaux, l'outil idéal pour les tâches robustes.

## UTILISATION DES MEULES ABRASIVES ET DES MEULES À TRONÇONNER

### Installation de la meule (Fig. 4)

- Débranchez l'outil et posez-le à l'envers sur une surface plane, tel qu'indiqué. Enlevez les accessoires du pivot.
- Vissez la rondelle de nylon sur le pivot. Installez le garde-meule et la meule abrasive en vous basant sur la vignette Fig. 4 pour le mode et l'ordre de montage (voir « Installation, réglage et retrait du garde-meule » pour l'installation du garde-meule. **N.B.** Lorsque vous optez pour une meule abrasive de type 27 ou type 29, positionnez l'écrou de disque selon l'épaisseur de la meule.  
Positionnez le garde-meule à l'endroit offrant la meilleure maîtrise et la meilleure protection. Pour connaître les zones de travail qui offrent une protection maximale à l'utilisateur. Voir « Meulage ». **N.B.** Si vous optez pour un meule-boisseau de type 11, ajustez la jupe du garde-meule pour ne laisser dépasser de 3,2 mm (1/8") de la meule hors du garde-meule.
- Pour serrer, appuyez sur le bouton de verrouillage du pivot et faites tourner la meule ou le l'écrou de disque en sens horaire à l'aide de la clé à ergots qui accompagne l'outil.
- Pour retirer la meule et le garde-meule, débranchez l'outil et inversez la technique.



### Soin des meules



**Pour minimiser les risques de blessures, l'utilisateur devrait être formé au maniement, à l'entretien et à la protection des meules.**

Les meules devraient être protégées de :

- l'eau et l'humidité
- les solvants de tous genres
- les brusques variations de température
- les chutes et les heurts

Les meules devraient être rangées :

- de façon systématique pour permettre le retrait de l'une sans déranger ou endommager les autres
- avec leur fiche signalétique

Les meules ne devraient pas :

- choir
- rouler
- heurter

Si on laisse choir une meule, qu'on la roule, la heurte ou la soumet à de brusques changements de température, ou encore, si elle vient en contact avec des solvants ou de l'humidité, il vaut mieux en disposer immédiatement.

## Dépistage des dérangements

Les rayures profondes et les marques circulaires peuvent provenir de :

- Pression inégale
- Utilisation d'une meule encrassée - surtout sur l'aluminium
- Saleté ou particules de métal sur le matériau
- Défaut de déplacer constamment l'outil sur la surface

Le bleuissement d'une surface métallique indique :

- Surchauffe causée par des mouvements circulaires concentrés au même endroit
- Pression trop grande
- Usage d'une meule usée ou encrassée

## Inspection des meules

Pour éviter de les endommager, manipulez les meules avec soin. Avant d'en installer une, inspectez-la pour y déceler des fissures. Si la meule est fissurée, disposez-en afin que personne d'autre ne puisse s'en servir.

## Choix des meules



### AVERTISSEMENT!

N'utilisez que des disques dont la vitesse de rotation sécuritaire excède la vitesse de rotation mentionnée sur la fiche signalétique de l'outil. Cette vitesse de rotation est basée sur la résistance du disque en tenant compte de la sécurité. La vitesse de rotation indiquée n'est pas une norme de rendement, mais une norme de vitesse de rotation sécuritaire qu'il ne faut pas excéder.

Le meulage s'effectue par l'action abrasive de milliers de grains abrasifs sur la face de la meule. Lorsque vous meulez des métaux comme l'acier et le fer, choisissez une meule en corindon. Pour la pierre et le béton, une meule de carbure de silicium et pour les métaux non ferreux, une meule renforcée de coton.

Les meules de type 27 renforcées de 3,2 mm (1/8") conviennent pour de petits tronçonnages et des encoches seulement.

## Meulage (Fig. 5 et 6)



### AVERTISSEMENT!

Pour minimiser les risques de blessures au cours du meulage :

- TOUJOURS tenir fermement l'outil par ses poignées avec les deux mains avant et durant le meulage.
- NE JAMAIS laisser la meule se coincer.
- NE JAMAIS utiliser une meule que l'on a laissé choir.
- NE JAMAIS heurter la meule sur le matériau.
- NE JAMAIS pratiquer le meulage sans l'équipement de protection nécessaire.

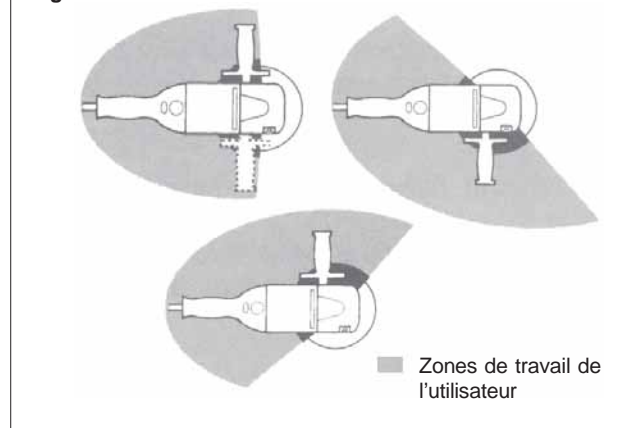


### AVERTISSEMENT!

Afin de réduire les risques de blessures durant le meulage, TOUJOURS employer le garde-meule approprié et TOUJOURS l'installer correctement.

1. Selon le travail effectué, placez le garde-meule de manière à garantir une protection maximale à l'utilisateur (Fig. 5).

Fig. 5

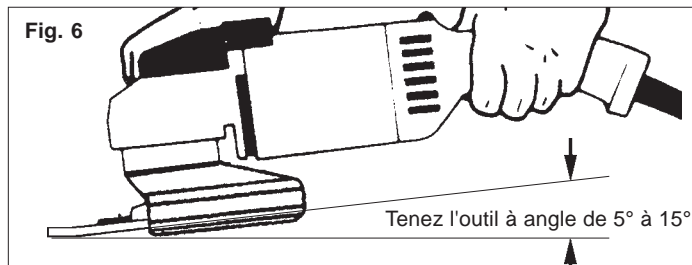


2. Si vous venez tout juste d'installer un disque abrasif ou de commencer le travail, vérifiez la meule en la laissant tourner durant une minute avant de l'appliquer sur le matériau.

**N.B.** Une meule déstabilisée peut marquer le matériau, causer des dommages à l'outil et imposer une contrainte irrésistible à la meule.

3. Tenez fermement la poignée arrière et la poignée latérale avant de mettre l'outil en marche ou pendant qu'il fonctionne. Laissez la meule atteindre son plein régime avant de commencer le meulage.
4. Pour le meulage, tenez l'outil à un angle de 5° à 15° degrés, tel qu'indiqué, d'assurer une pression constante et un fini uniforme (Fig. 6). Un angle trop grand occasionne une concentration de pression sur de petites surfaces et peut rainurer ou brûler la surface de la pièce à ouvrir.

Fig. 6



5. Contrôlez la pression et le contact du disque avec la pièce. Une trop grande pression pourra ralentir le meulage.

## Utilisation des meules à tronçonner de type 27 (Fig. 7)



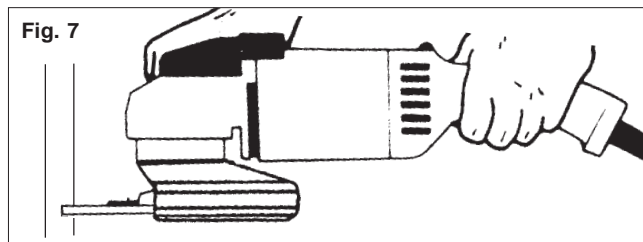
### AVERTISSEMENT!

Afin d'assurer la protection maximale de l'utilisateur en cas de bris du disque, un garde-meule de type 27 doit être installé lorsqu'un disque à tronçonner de type 27 est utilisé.

Les meules de type 27 renforcées conviennent pour de petits tronçonnages et des encoches seulement.

1. Tenez fermement la poignée arrière et la poignée latérale avant de mettre l'outil en marche ou pendant qu'il fonctionne. Laissez la meule atteindre son plein régime avant de commencer le tronçonnage.
2. Lorsque vous employez une meule à tronçonner, tenez l'outil tel qu'indiqué et n'utilisez que le tranchant de la meule (Fig. 7).

Fig. 7



3. Contrôlez la pression de la meule sur la pièce. Une pression trop forte va ralentir la coupe.

### Sélection des brosses à fils d'acier

Les brosses à fils d'acier sont utiles pour enlever rouille, tartre, bavures, scories de soudure etc. Il existe un vaste choix de brosses à fils d'acier pour diverses applications.

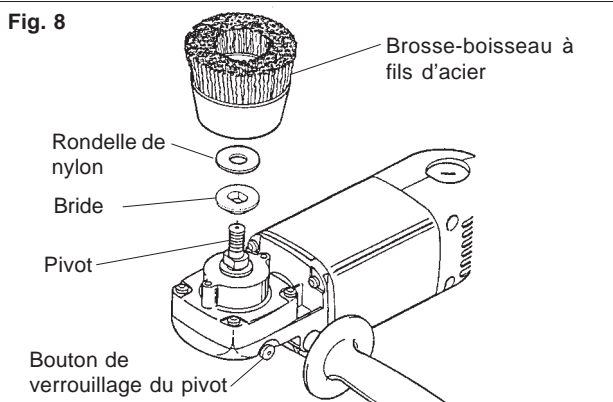


### AVERTISSEMENT!

Les personnes présentes dans l'aire de travail doivent porter des vêtements de protection, des lunettes à coques latérales ou un masque facial. Les fils d'acier rompus et les rognures de meulage peuvent être éjectés avec force et comporter un risque sérieux de blessures graves.

### Installation des brosses-boisseau à fils d'acier (Fig. 8)

Fig. 8



1. Débranchez l'outil et posez-le sur une surface plane. Retirez les accessoires du pivot.

**N.B.** N'utilisez jamais un garde-meule avec une brosse-boisseau à fils d'acier.

2. Vissez la rondelle de nylon sur le pivot. Fixez la brosse-boisseau sur le pivot.
3. Appuyez sur le bouton de verrouillage du pivot tandis que vous serrez la brosse à l'aide d'une clé (non fournie avec l'outil).
4. Pour retirer la brosse-boisseau à fils d'acier, débranchez l'outil et inversez la technique.

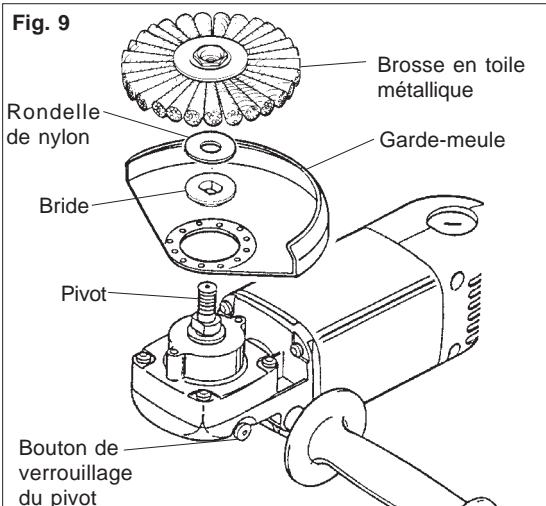
### Installation des brosses en toile métallique (Fig. 9)



### AVERTISSEMENT!

Les bouts de fil métallique de la brosse en toile métallique convergent vers l'utilisateur. C'est pourquoi il faut installer un garde-meule de type 27 pour se protéger des fils rompus par l'usure qui sont éjectés durant le meulage.

Fig. 9



1. Débranchez l'outil et posez-le sur une surface plane. Retirez les accessoires du pivot.
2. Vissez la rondelle de nylon sur le pivot. Fixez le disque et le garde-meule sur le pivot. Voir Fig. 4 pour installer le garde-meule.  
Placez le garde-meule à la position offrant la meilleure maîtrise et la meilleure protection. Pour connaître les zones de travail qui offrent une protection maximale à l'utilisateur, voir « Meulage ».
3. Appuyez sur le bouton de verrouillage du pivot tandis que vous serrez le disque à l'aide d'une clé (non fournie avec l'outil).
4. Pour retirer la brosse en toile métallique, débranchez l'outil et inversez la technique.

### Utilisation des brosses à fils d'acier



### AVERTISSEMENT!

**N'excédez pas la vitesse de rotation sécuritaire pour laquelle la brosse à fils d'acier est calibrée. N'utilisez pas une brosse avariée ou une brosse qui ne fonctionne pas normalement (éjection de fils rompus, flottement etc.). Ces conditions augmentent les risques de bris et de blessures pouvant en résulter. Débarrassez-vous des brosses avariées et employez-en de nouvelles.**

1. Ne portez pas des vêtements amples lorsque vous vous servez d'une brosse à fils d'acier. Les fils pourraient se prendre dans un vêtement flottant et l'entraîner dans les pièces en mouvement.
2. Tenez fermement la poignée arrière et la poignée latérale avant de mettre l'outil en marche ou pendant qu'il fonctionne. Vérifiez toujours l'équilibre de la brosse à fils d'acier et la présence de fils détachés ou endommagés. Faites tourner la brosse à vide durant au moins une minute avant de l'appliquer au matériau.
3. Lorsque vous appliquez la brosse au matériau, évitez de mettre une trop grande pression qui pourrait aplatir les fils de la brosse, créer de la surchauffe et briser prématurément les fils d'acier, ce qui rendrait la brosse inutilisable à court terme.

Au lieu d'appliquer une grande pression sur une brosse, essayez plutôt une brosse en toile métallique dont l'action est plus mordante ou une brosse à fils plus gros ou plus courts ou d'autres types de brosses telles les brosses à fils noués ou à fils ondulés.

## MAINTENANCE



### AVERTISSEMENT!

Pour minimiser les risques de blessures, débranchez toujours l'outil avant d'y effectuer des travaux de maintenance. Ne faites pas vous-même le démontage de l'outil ni le rebobinage du système électrique. Consultez un centre de service **MILWAUKEE** accrédité pour toutes les réparations.

### Entretien de l'outil

Gardez l'outil en bon état en adoptant un programme d'entretien ponctuel. Avant de vous en servir, examinez son état en général. Inspectez-en la garde, interrupteur, cordon et cordon de rallonge pour en déceler les défauts. Vérifiez le serrage des vis, l'alignement et le jeu des pièces mobiles, les vices de montage, bris de pièces et toute autre condition pouvant en rendre le fonctionnement dangereux. Si un bruit ou une vibration insolite survient, arrêtez immédiatement l'outil et faites-le vérifier avant de vous en servir de nouveau. N'utilisez pas un outil défectueux. Fixez-y une étiquette marquée « HORS D'USAGE » jusqu'à ce qu'il soit réparé (voir « Réparations »).

Normalement, il ne sera pas nécessaire de lubrifier l'outil avant que le temps ne soit venu de remplacer les balais. Après une période pouvant aller de 6 mois à un an, selon l'usage, retournez votre outil à un centre de service **MILWAUKEE** accrédité pour obtenir les services suivants :

- Lubrification
- Inspection et remplacement des balais
- Inspection et nettoyage de la mécanique (engrenages, pivots, coussinets, boîtier etc.)
- Inspection électrique (interrupteur, cordon, induit etc.)
- Vérification du fonctionnement électromécanique



### AVERTISSEMENT!

Pour minimiser les risques de blessures, choc électrique et dommage à l'outil, n'immergez jamais l'outil et ne laissez pas de liquide s'y infiltrer.

### Nettoyage

Débarrassez les événements des débris et de la poussière. Gardez les poignées de l'outil propres, à sec et exemptes d'huile ou de graisse. Le nettoyage de l'outil doit se faire avec un linge humide et un savon doux. Certains nettoyants tels l'essence, la térébenthine, les diluants à laque ou à peinture, les solvants chlorés, l'ammoniaque et les détergents d'usage domestique qui en contiennent pourraient détériorer le plastique et l'isolation des pièces. Ne laissez jamais de solvants inflammables ou combustibles auprès des outils.

### Réparations

Si votre outil est endommagé, retourne l'outil entier au centre de maintenance le plus proche.

## ACCESSOIRES



### AVERTISSEMENT!

Pour minimiser les risques de blessures, débranchez toujours l'outil avant d'y installer ou d'en enlever les accessoires. L'emploi d'accessoires autres que ceux qui sont expressément recommandés pour cet outil peut présenter des risques.

Pour une liste complète des accessoires, prière de se reporter au catalogue **MILWAUKEE** Electric Tool ou visiter le site internet [www.milwaukeetool.com](http://www.milwaukeetool.com). Pour obtenir un catalogue, il suffit de contacter votre distributeur local ou l'un des centres-service.

### Joue de remplacement

No de cat. 49-05-0060

Pour le remplacement de joues perdues ou endommagées.

### Rondelle en nylon de remplacement

No de cat. 45-88-8465

Pour le remplacement de rondelles perdues ou endommagées.

### Mallette en acier

No de cat. 48-55-0890

Rangez et protégez votre investissement et organisez vos accessoires avec cette mallette robuste en acier.

### Poignée latérale

No de cat. 43-62-0880

Pour le remplacement de poignées latérales perdues ou endommagées.

### Outil de coupe pour disque abrasif

No de cat. 49-80-1000

Prolongez la vie de disques abrasifs plus larges en les taillants à des dimensions plus petites pour en exposer les surfaces dont le grain n'est pas usé.

## GARANTIE LIMITÉE DE L'OUTIL DE CINQ ANS

Tous les outils **MILWAUKEE** sont testés avant de quitter l'usine et sont garantis exempts de vice de matériau ou de fabrication. **MILWAUKEE** réparera ou remplacera (à la discrétion de **MILWAUKEE**), sans frais, tout outil (y compris les chargeurs de batterie) dont l'examen démontre le caractère défectueux du matériau ou de la fabrication dans les cinq (5) ans suivant la date d'achat. Retourner l'outil et une copie de la facture ou de toute autre preuve d'achat à une branche Entretien usine/Assistance des ventes de l'établissement **MILWAUKEE** ou à un centre d'entretien agréé par **MILWAUKEE**, en port payé et assuré. Cette garantie ne couvre pas les dommages causés par les réparations ou les tentatives de réparation par quiconque autre que le personnel agréé par **MILWAUKEE**, les utilisations abusives, l'usure normale, les carences d'entretien ou les accidents.

Les batteries, les lampes de poche et les radios sont garanties pour un (1) an à partir de la date d'achat.

LES SOLUTIONS DE RÉPARATION ET DE REMPLACEMENT DÉCRITES PAR LES PRÉSENTES SONT EXCLUSIVES. **MILWAUKEE** NE SAURAIT ÊTRE RESPONSABLE, EN AUCUNE CIRCONSTANCE, DES DOMMAGES ACCESSOIRES, SPÉCIAUX OU INDIRECTS, Y COMPRIS LES MANQUES À GAGNER.

CETTE GARANTIE EST EXCLUSIVE ET REMPLACE TOUTES LES AUTRES GARANTIES OU CONDITIONS, ÉCRITES OU ORALES, EXPRESSES OU TACITES DE QUALITÉ MARCHANDE OU D'ADAPTATION À UNE UTILISATION OU UNE FIN PARTICULIÈRE.

Cette garantie vous donne des droits particuliers. Vous pouvez aussi bénéficier d'autres droits variant d'un état à un autre et d'une province à une autre. Dans les états qui n'autorisent pas les exclusions de garantie tacite ou la limitation des dommages accessoires ou indirects, les limitations ou exclusions ci-dessus peuvent ne pas s'appliquer. Cette garantie s'applique aux États-Unis, au Canada et au Mexique uniquement.

## REGLAS DE SEGURIDAD GENERALES PARA HERRAMIENTAS ELÉCTRICAS



**¡ADVERTENCIA!**

### LEA TODAS LAS INSTRUCCIONES

Si no se siguen todas las siguientes instrucciones se puede provocar una descarga eléctrica, un incendio y/o lesiones graves. El término "herramienta eléctrica" en todas las advertencias incluidas más abajo se refiere a su herramienta operada por conexión (cable) a la red eléctrica o por medio de una batería (inalámbrica).

### GUARDE ESTAS INSTRUCCIONES

#### SEGURIDAD EN EL ÁREA DE TRABAJO

1. **Mantenga limpia y bien iluminada el área de trabajo.** Las áreas desordenadas u oscuras contribuyen a que se produzcan accidentes.
2. **No utilice herramientas eléctricas en atmósferas explosivas, como en la presencia de líquidos, gases o polvo inflamables.** Las herramientas eléctricas crean chispas que pueden incendiar el polvo o las emanaciones.
3. **Mantenga a los niños y otras personas alejadas mientras utiliza una herramienta eléctrica.** Las distracciones pueden hacerle perder el control.

#### SEGURIDAD ELÉCTRICA

4. **Los enchufes de las herramientas eléctricas deben ser del mismo tipo que el tomacorrientes. Nunca realice ningún tipo de modificación en el enchufe. No use enchufes adaptadores con herramientas eléctricas con conexión a tierra.** Se reducirá el riesgo de descarga eléctrica si no se modifican los enchufes y los tomacorrientes son del mismo tipo.
5. **Evite el contacto corporal con superficies con conexión a tierra, como tuberías, radiadores, estufas y refrigeradores.** El riesgo de descarga eléctrica aumenta si su cuerpo está conectado a tierra.
6. **No exponga la herramientas eléctricas a la lluvia o a condiciones de humedad.** El agua que entra en una herramienta eléctrica aumenta el riesgo de descarga eléctrica.
7. **No abuse del cable. Nunca use el cable para transportar la herramienta eléctrica, tirar de ella o desenchufarla. Mantenga el cable alejado del calor, los bordes afilados o las piezas en movimiento.** Los cables dañados o enmarañados aumentan el riesgo de descarga eléctrica.
8. **Cuando se utiliza una herramienta eléctrica en el exterior, use una extensión que sea apropiada para uso en el exterior.** El uso de un cable apropiado para el exterior reduce el riesgo de descarga eléctrica.

#### SEGURIDAD PERSONAL

9. **Manténgase alerta, ponga cuidado a lo que está haciendo y use el sentido común cuando utilice una herramienta eléctrica. No use una herramienta eléctrica cuando está cansado o bajo la influencia de drogas, alcohol o medicinas.** Desprestarse un minuto cuando se utiliza una herramienta eléctrica puede tener como resultado lesiones personales graves.
10. **Use equipo de seguridad. Lleve siempre protección ocular.** Llevar equipo de seguridad apropiado para la situación, como una máscara antipolvo, zapatos de seguridad antideslizantes casco o protección auditiva, reducirá las lesiones personales.
11. **Evite los arranques accidentales. Asegúrese de que el interruptor esté en la posición de apagado antes de enchufar la herramienta.** Mover herramientas con el dedo en el interruptor o enchufar herramientas con el interruptor en la posición de encendido contribuye a que se produzcan accidentes.
12. **Quite todas las llaves de ajuste antes de encender la herramienta.** Una llave que esté acoplada a una pieza giratoria de la herramienta puede provocar lesiones personales.

13. **No se estire demasiado. Mantenga los pies bien asentados y el equilibrio en todo momento.** Esto permite tener mejor control de la herramienta eléctrica en situaciones inesperadas.
14. **Vístase de manera apropiada. No lleve ropa suelta ni joyas. Mantenga el cabello, la ropa y los guantes lejos de la piezas en movimiento.** La ropa floja, las joyas o el cabello largo pueden quedar atrapados en las piezas en movimiento.
15. **Si se proporcionan dispositivos para la conexión de sistemas de recolección y extracción de polvo, asegúrese de que estén conectados y se usen apropiadamente.** El uso de estos dispositivos puede reducir los peligros relacionados con el polvo.

#### USO Y CUIDADO DE LAS HERRAMIENTAS ELÉCTRICAS

16. **No fuerce la herramienta eléctrica. Use la herramienta eléctrica correcta para la aplicación.** La herramienta eléctrica correcta funcionará mejor y de manera más segura a la velocidad para la que se diseñó.
17. **No use la herramienta eléctrica si el interruptor no la enciende ni la apaga.** Cualquier herramienta eléctrica que no se pueda controlar con el interruptor es peligrosa y se debe reparar.
18. **Desconecte el enchufe de la toma de alimentación y/o la batería de la herramienta eléctrica antes de realizar cualquier ajuste, cambiar accesorios o almacenar las herramientas eléctricas.** Dichas medidas preventivas de seguridad reducen el riesgo de que la herramienta se prenda accidentalmente.
19. **Almacene las herramientas eléctricas fuera del alcance de los niños y no permita que personas no familiarizadas con ellas o estas instrucciones las utilicen.** Las herramientas eléctricas son peligrosas en las manos de usuarios no capacitados.
20. **Mantenimiento de las herramientas eléctricas. Revise que no haya piezas móviles que estén desalineadas o que se atasquen, piezas rotas ni ninguna otra condición que pueda afectar el funcionamiento de la herramienta eléctrica. Si se encuentran daños, haga que le reparen la herramienta antes de usarla.** Las herramientas mal mantenidas son la causa de muchos accidentes.
21. **Mantenga las herramientas de corte limpias y afiladas.** Es menos probable que se atasquen las herramientas de corte con filos afilados que se mantienen de manera apropiada y también son más fáciles de controlar.
22. **Use la herramienta eléctrica, los accesorios y las brocas, etc. siguiendo estas instrucciones y de la manera para la que dicha herramienta eléctrica en particular fue diseñada, teniendo en cuenta las condiciones de trabajo y la tarea que se va a realizar.** El uso de la herramienta eléctrica para operaciones diferentes de aquellas para las que se diseño podría resultar en una situación peligrosa.
23. **Haga que un técnico calificado realice el mantenimiento de la herramienta eléctrica utilizando solamente piezas de repuesto idénticas.** Esto asegurará que se mantiene la seguridad de la herramienta eléctrica.

#### MANTENIMIENTO

## REGLAS ESPECIFICAS DE SEGURIDAD

1. **Siempre use la cubierta protectora apropiada con rueda abrasiva.** Una cubierta protectora resguarda al operador de los fragmentos rotos en la rueda.
2. **Los accesorios deben ser utilizados, al menos, a la velocidad recomendada en la etiqueta de advertencia de la rueda.** Las ruedas y otros accesorios que se utilicen a una velocidad superior a la recomendada pueden romperse y producir lesiones.
3. **Asegúrese de que todas las pestañas de la rueda y otros accesorios de montaje se encuentren en condiciones óptimas y se utilicen siempre de manera correcta.** Las partes defectuosas o faltantes podrían deteriorar las ruedas y otros accesorios. Utilice siempre los accesorios de montaje incluidos con la herramienta.
4. **Agarre la herramienta por los asideros aislados cuando realice una operación en la que la herramienta de corte pueda entrar en contacto con cables ocultos o con su propio cable.** El contacto con un cable "con corriente" hará que las partes de metal expuesto de la herramienta pasen la corriente y produzcan una descarga al operador.
5. **Mantenga las manos alejadas de todos los bordes cortadores y partes en movimiento.**
6. **Guarde las etiquetas y placas de especificaciones.** Estas tienen información importante. Si son ilegibles o si no se pueden encontrar, póngase en contacto con un centro de servicio de **MILWAUKEE** para una refacción gratis.
7. **¡ADVERTENCIA!** Algunas partículas de polvo resultantes del lijado mecánico, aserrado, esmerilado, taladrado y otras actividades relacionadas a la construcción, contienen sustancias químicas que se saben ocasionan cáncer, defectos congénitos u otros daños al aparato reproductivo. A continuación se citan algunos ejemplos de tales sustancias químicas:
  - plomo proveniente de pinturas con base de plomo
  - sílice cristalino proveniente de ladrillos, cemento y otros productos de albañilería y
  - arsénico y cromo provenientes de madera químicamente tratada.

El riesgo que usted sufre debido a la exposición varía dependiendo de la frecuencia con la que usted realiza estas tareas. Para reducir la exposición a estas sustancias químicas: trabaje en un área bien ventilada, y utilice equipo de seguridad aprobado como, por ejemplo, máscaras contra el polvo que hayan sido específicamente diseñadas para filtrar partículas microscópicas.

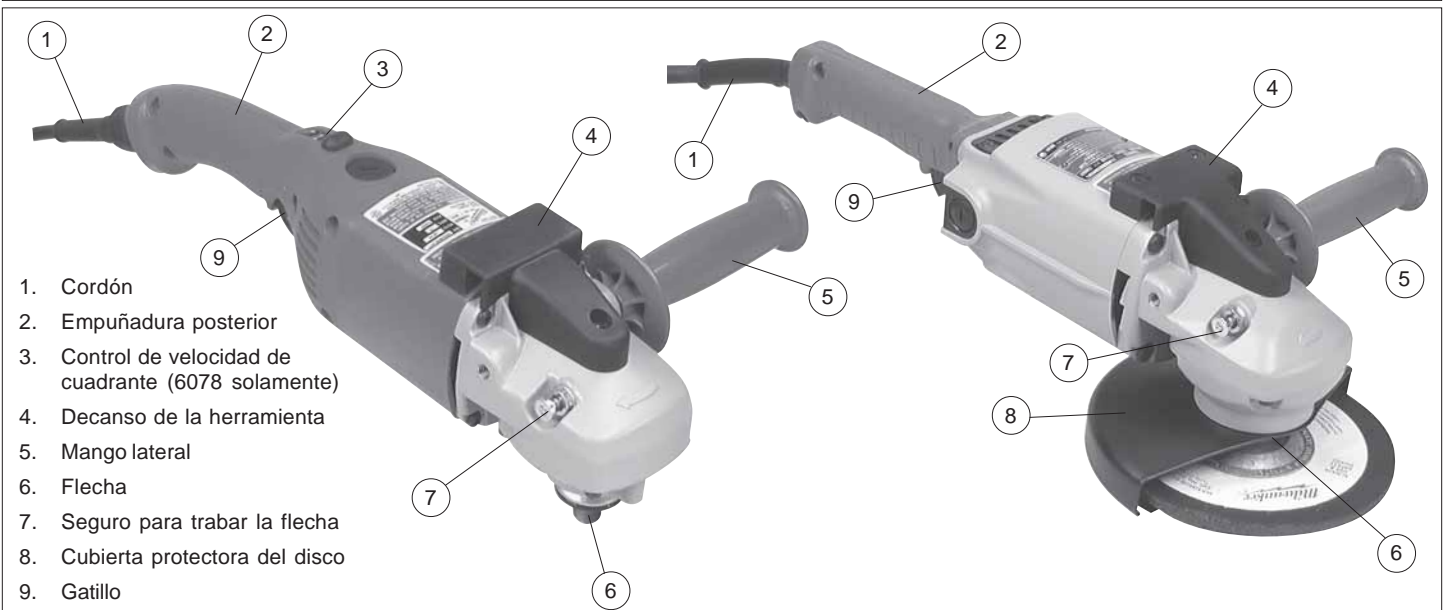
### Especificaciones

Cat. No.	Volts	A	rpm	Tamaño de Flecha	Tamaño del Disco	Mínimas RPM del Disco
6065	120 ca/cd	15	5 000	5/8"-11	180/230 mm (7"/9")	5 500
6065-6	120 ca/cd	15	5 000	5/8"-11	180/230 mm (7"/9")	5 500
6066	120 ca/cd	15	6 000	5/8"-11	180/230 mm (7"/9")	6 500
6066-6	120 ca/cd	15	6 000	5/8"-11	180/230 mm (7"/9")	6 500
6067	120 ca/cd	15	5 000	5/8"-11	230 mm (9")	5 500
6068	120 ca/cd	15	6 000	5/8"-11	180 mm (7")	6 500
6072	120 ca/cd	13	5 000	5/8"-11	230 mm (9")	5 500
6078	120 ca	13	0 - 6 000	5/8"-11	180 mm (7")	6 500

### Simbología

	Con doble aislamiento
	Canadian Standards Association
	Underwriters Laboratories, Inc.
	Volts de corriente directa o alterna
	Volts de corriente alterna
$n_0 \text{ xxx min.}^{-1}$	Revoluciones por minuto sin carga (rpm)
<b>A</b>	Amperios
	Los Estándares Mexicanos de la Seguridad

### DESCRIPCION FUNCIONAL



## TIERRA



### ¡ADVERTENCIA!

Puede haber riesgo de descarga eléctrica si se conecta el cable de conexión de puesta a tierra incorrectamente. Consulte con un electricista certificado si tiene dudas respecto a la conexión de puesta a tierra del tomacorriente. No modifique el enchufe que se proporciona con la herramienta. Nunca retire la clavija de conexión de puesta a tierra del enchufe. No use la herramienta si el cable o el enchufe está dañado. Si está dañado antes de usarlo, llévelo a un centro de servicio **MILWAUKEE** para que lo reparen. Si el enchufe no se acopla al tomacorriente, haga que un electricista certificado instale un tomacorriente adecuado.

#### Herramientas con conexión a tierra:

##### Herramientas con enchufes de tres clavijas

Las herramientas marcadas con la frase "Se requiere conexión de puesta a tierra" tienen un cable de tres hilos y enchufes de conexión de puesta a tierra de tres clavijas. El enchufe debe conectarse a un tomacorriente debidamente conectado a tierra (véase la Figura A). Si la herramienta se avería o no funcionara correctamente, la conexión de puesta a tierra proporciona un trayecto de baja resistencia para desviar la corriente eléctrica de la trayectoria del usuario, reduciendo de este modo el riesgo de descarga eléctrica.

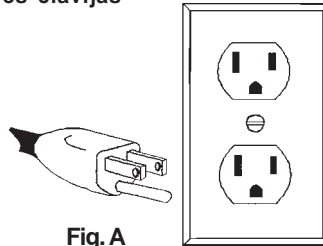


Fig. A

La clavija de conexión de puesta a tierra en el enchufe está conectada al sistema de conexión de puesta a tierra de la herramienta a través del hilo verde dentro del cable. El hilo verde debe ser el único hilo conectado al sistema de conexión de puesta a tierra de la herramienta y nunca se debe unir a una terminal energizada.

Su herramienta debe estar enchufada en un tomacorriente apropiado, correctamente instalado y conectado a tierra según todos los códigos y reglamentos. El enchufe y el tomacorriente deben asemejarse a los de la Figura A.

#### Herramientas con doble aislamiento:

##### Herramientas con clavijas de dos patas

Las herramientas marcadas con "Doble aislamiento" no requieren conectarse "a tierra". Estas herramientas tienen un sistema aislante que satisface los estándares de OSHA y llena los estándares aplicables de UL (Underwriters Laboratories, Inc.), de la Asociación Canadiense de Estándares (CSA) y el Código Nacional de Electricidad. Las herramientas con doble aislamiento pueden ser usadas en cualquiera de los toma corriente de 120 Volt mostrados en las Figuras B y C.

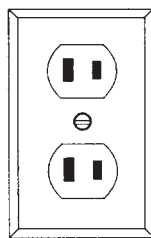


Fig. B

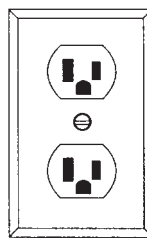


Fig. C

## EXTENSIONES ELÉCTRICAS

Las herramientas que deben conectarse a tierra cuentan con clavijas de tres patas y requieren que las extensiones que se utilicen con ellas sean también de tres cables. Las herramientas con doble aislamiento y clavijas de dos patas pueden utilizarse indistintamente con extensiones de dos a tres cables. El calibre de la extensión depende de la distancia que exista entre la toma de la corriente y el sitio donde se utilice la herramienta. El uso de extensiones inadecuadas puede causar serias caídas en el voltaje, resultando en pérdida de potencia y posible daño a la herramienta. La tabla que aquí se ilustra sirve de guía para la adecuada selección de la extensión.

Mientras menor sea el número del calibre del cable, mayor será la capacidad del mismo. Por ejemplo, un cable calibre 14 puede transportar una corriente mayor que un cable calibre 16. Cuando use más de una extensión para lograr el largo deseado, asegúrese que cada una tenga al menos, el mínimo tamaño de cable requerido. Si está usando un cable de extensión para más de una herramienta, sume los amperes de las varias placas y use la suma para determinar el tamaño mínimo del cable de extensión.

#### Guías para el uso de cables de extensión

- Si está usando un cable de extensión en sitios al aire libre, asegúrese que está marcado con el sufijo "W-A" ("W" en Canadá) el cual indica que puede ser usado al aire libre.
- Asegúrese que su cable de extensión está correctamente cableado y en buenas condiciones eléctricas. Cambie siempre una extensión dañada o hágala reparar por una persona calificada antes de volver a usarla.
- Proteja su extensión eléctrica de objetos cortantes, calor excesivo o áreas mojadas.

#### Calibre mínimo recomendado para cables de extensiones eléctricas\*

Amperios (En la placa)	Largo de cable de Extensión en (m)					
	7,6	15,2	22,8	30,4	45,7	60,9
0 - 5,0	16	16	16	14	12	12
5,1 - 8,0	16	16	14	12	10	--
8,1 - 12,0	14	14	12	10	--	--
12,1 - 15,0	12	12	10	10	--	--
15,1 - 20,0	10	10	10	--	--	--

\* Basado en limitar la caída en el voltaje a 5 volts al 150% de los amperios.

**LEA Y GUARDE TODAS LAS INSTRUCCIONES PARA FUTURAS REFERENCIAS.**



## ENSAMBAJE DE LA HERRAMIENTA



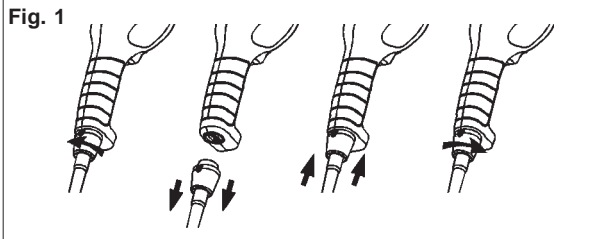
**¡ADVERTENCIA!**

Para reducir el riesgo de lesiones, desconecte siempre la herramienta antes de fijar o retirar accesorios, o antes de efectuar ajustes. Utilice sólo los accesorios específicamente recomendados. El uso de otros accesorios puede ser peligroso.

### Montaje y desmontaje del cable de cambio rápido Quik-Lok II® (Fig. 1) Modelos seleccionados

Para realizar el cambio o sustitución en forma inmediata en el área de trabajo, MILWAUKEE cuenta con los exclusivos cables Quik-Lok®.

Fig. 1



1. Para desmontar el cable Quik-Lok®, gire la tuerca del cable 1/4 de vuelta hacia la izquierda y tire del cable hacia afuera.
2. Para montar el cable Quik-Lok®, alinee las marcas en el conector y presione el conector hacia adentro tanto como pueda. Luego gire la tuerca del cable 1/4 de vuelta hacia la derecha para fijarlo.

### Instalación del mango lateral

El mango lateral puede colocarse encima de la caja de engranes o en cualquiera de los lados de la caja de engranes para uso con la mano izquierda o derecha. Coloque el mango en la ubicación que le ofrezca el mejor control y protección de cubierta. Para informarse sobre las zonas de operación que proporcionan la máxima protección para el operador, vea "Esmerilado". Para montarlo, enrosque el mango lateral en la entrada para el mango lateral en el lado deseado de la caja de engranes y apriételo firmemente.

### Instalación, ajuste y remoción de la cubierta protectora (Modelos seleccionados)



**¡ADVERTENCIA!**

Para reducir el riesgo de lesiones al esmerilar, utilice SIEMPRE la cubierta protectora adecuada. SIEMPRE instale la cubierta protectora de manera correcta.

Se debe usar la cubierta protectora cuando se utiliza la herramienta como esmeriladora. La cubierta protectora se debe retirar cuando se utiliza la herramienta como lijadora.

1. Para instalar la cubierta protectora, desenchufe la herramienta y colóquela boca abajo sobre una superficie nivelada. Retire cualquier accesorio de la flecha.
2. Coloque la guarda para el disco abrasivo sobre la flecha. Coloque la cubierta protectora en la ubicación que le ofrezca el mejor control y resguardo. Para informarse sobre las zonas de operación que proporcionan la máxima protección para el operador. Vea "Esmerilado".
3. Apriétela a la mitad inferior de la caja de engranes, con los tornillos y roldanas de seguridad que se suministran.

## OPERACION



### ¡ADVERTENCIA!

Para reducir el riesgo de lesiones, use siempre lentes de seguridad o anteojos con protectores laterales. Desconecte la herramienta antes de cambiar algún accesorio o de hacerle algún ajuste.

#### Encendido y paro del motor

1. Para **encender** la herramienta, tire del gatillo.
2. Para **detener** la herramienta, suelte el gatillo.



### ¡ADVERTENCIA!

Para reducir el riesgo de daños a la herramienta, no utilice el seguro de enganche de la flecha a modo de detener la flecha mientras la herramienta se encuentra en uso o marcha por inercia después de haber sido apagada.

#### Bloqueo del gatillo (Modelos seleccionados)

El seguro de enganche mantiene el gatillo en la posición ON (encendido) para uso continuo.

1. Para **bloquear** el gatillo, apriete el seguro de enganche mientras tira del gatillo. Suelte el gatillo.
2. Para **desbloquear** el gatillo, tire del gatillo y suéltelo. El seguro de enganche saltará.

#### Uso del Control de Velocidad de Cuadrante (Cat. No. 6078 solamente)

El Catálogo No. 6078 incluye un control de velocidad de cuadrante y un interruptor de accionamiento de velocidad variable. Puede preajustarse la velocidad máxima mediante el cuadrante de control de velocidad, y variarse la velocidad mediante el interruptor de accionamiento. Los ajustes del cuadrante de control de velocidad oscilan entre el 1 al 5. Los números más bajos corresponden a las velocidades más bajas y los números más altos corresponden a las velocidades más altas. Utilice el ajuste más adecuado para el trabajo.

Para controlar la velocidad, ajuste el cuadrante al número deseado. Luego, oprima el gatillo. Aumente o disminuya la presión en el gatillo para variar la velocidad. Para detener la herramienta, suelte el gatillo.

#### Selección del disco abrasivo y la rueda abrasiva



### ¡ADVERTENCIA!

Para reducir el riesgo de lesiones personales y daño a la herramienta, utilice **SOLAMENTE** accesorios con capacidad nominal igual o superior a los RPM listados en la sección "ADVERTENCIA" en la placa de la herramienta.

Use discos abrasivos y ruedas abrasivas que sean:

- del tamaño correcto según se indica en la placa de la herramienta
- el tipo de disco y grano adecuado para el trabajo a realizar
- de capacidad nominal igual o superior a los RPM listados en la sección "ADVERTENCIA" en la placa de la herramienta

Use respaldos, adaptadores y otros accesorios que sean:

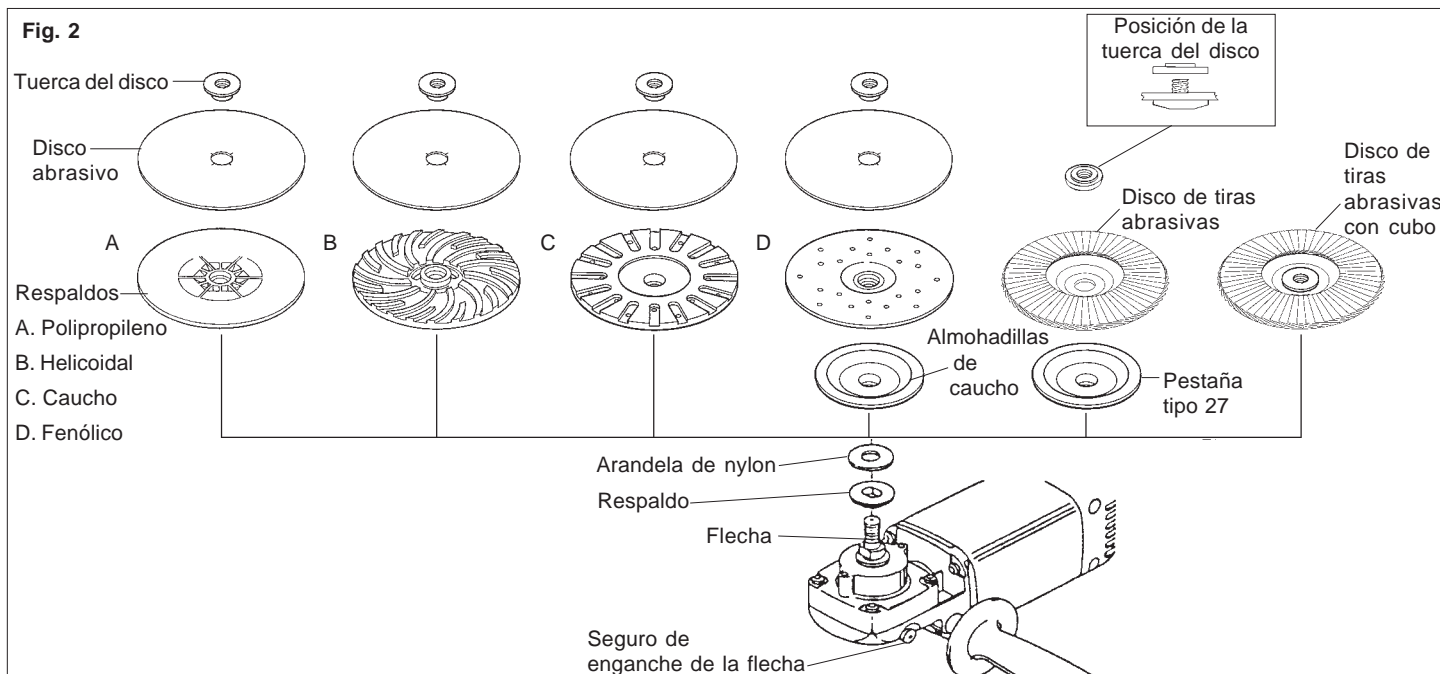
- del tamaño correcto para la herramienta y para el disco abrasivo o la rueda abrasiva
- de capacidad nominal igual o superior a los RPM listados en la sección "ADVERTENCIA" en la placa de la herramienta
- el accesorio adecuado para el trabajo a realizar

#### Material de discos abrasivos y ruedas abrasivas

Los discos abrasivos y las ruedas abrasivas están compuestos de varios materiales y han sido diseñados para diferentes trabajos. Asegúrese de que ha seleccionado el disco abrasivo y la rueda abrasiva correcta para el trabajo que proyecta realizar.

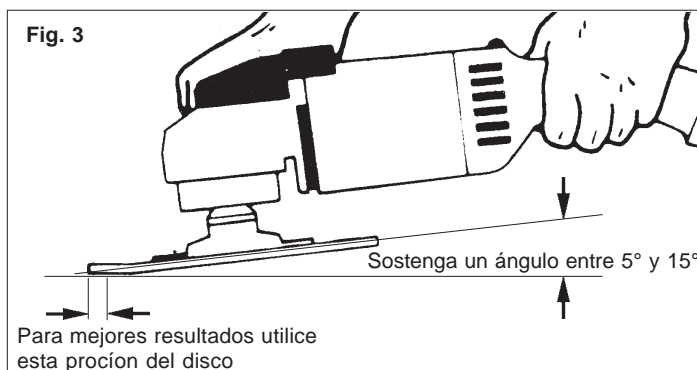
### Instalación de discos abrasivos (Fig. 2)

1. Desenchufe la herramienta y colóquela boca abajo sobre una superficie nivelada. Retire cualquier accesorio de la flecha.
2. Enrosque la arandela de nylon en la flecha. Adjunte el respaldo en el disco abrasivo utilizando la Fig. 2 para determinar el tipo y orden del ensamblaje. **NOTA:** Cuando instale el disco de tiras abrasivas sin el cubo, coloque la tuerca del disco de acuerdo se muestra.
3. Para apretarlo, presione el seguro de enganche de la flecha a la vez que gira la tuerca del disco en el sentido de las manecillas del reloj.
4. Para desmontar el disco abrasivo y el respaldo, desenchufe la herramienta e invierta el procedimiento.



### Lijado (Fig. 3)

1. Fije el material sobre el que va a trabajar con pinzas o sujetadores de forma tal que pueda tener ambas manos libres para controlar la herramienta. Sujete firmemente el mango posterior y el mango lateral antes de iniciar el trabajo y durante la operación. Permita que el disco alcance su máxima velocidad antes de iniciar el trabajo.
2. Sostenga la herramienta en un ángulo entre  $5^\circ$  y  $15^\circ$  para asegurar una presión y un control de lijado correctos (Fig. 3). Un ángulo superior al especificado ocasionará demasiada presión y desgaste excesivo tanto del disco como de la pieza de trabajo. Un ángulo inferior al especificado reducirá el control de la herramienta.



3. Lije con pasadas largas y rítmicas, de lado a lado, avanzando hacia adelante para producir el acabado deseado.

### Remoción de marcas de martillo soldadura

Al remover marcas de martillo o soldadura, limite el lijado grueso a las áreas inmediatas. Posteriormente, utilice granos finos para emparejar la superficie.

### Lijado cruzado

Cuando vaya a realizar el acabado de una superficie que ha sido preparada con una rueda o disco de grano grueso, lije en ángulo recto a las marcas realizadas por el disco de grano más grueso. Las marcas producidas por el lijado o anterior se pueden ver y remover fácilmente para lograr un acabado uniforme. Si no lleva a cabo el lijado cruzado cuando cambia de disco de grano grueso a disco para acabado, podría ocasionar ralladuras profundas y marcas circulares.

### Acabado en metal

Haga movimientos constantes a través de la superficie. Trabaje con mayor rapidez en las superficies curvas, donde las áreas de contacto son menores y la presión es mayor. Al final de la pasada podrían aparecer áreas planas si la presión es muy alta. Reduzca la presión al final de cada pasada y cuando haga pasadas en reversa.

### Solución a los problemas

Las ralladuras profundas y las marcas circulares pueden deberse al:

- Uso de grano muy grueso
- Uso de disco parcialmente cristalizado
- Polvo o rebabas sueltas en la pieza de trabajo
- No lijar en forma cruzada, a través del grano, cuando se cambió de disco de grano grueso a disco para acabado

Cuando la superficie de metal se torna azulosa, esto indica:

- Exceso de calor ocasionado por movimientos circulares en áreas demasiado pequeñas
- Exceso de presión
- Uso de discos cristalizados o gastados

## Selección de discos abrasivos y granos

Consulte la tabla a continuación para seleccionar el tipo de disco adecuado para su trabajo. En forma general, utilice grano 16, 24 ó 36 para remoción de material en bruto grueso; grano 50, 60 ó 80 para remoción de material en bruto de dureza media, y grano 120 para acabados. Comience siempre con un grano grueso, y posteriormente, utilice granos más finos para obtener el acabado deseado. Consulte el catálogo para ver una lista completa de discos abrasivos **MILWAUKEE**.

Óxido de aluminio	Aluminio y Circona de doble corte	Cerámica
Para discos de desbaste rápido y aplicaciones generales en la mayoría de las operaciones en metal. Ideal para acero laminado en frío, acero inoxidable o metales que requieran abrasivos féreos, de larga vida útil y desbaste rápido.	Su diseño especial de grano está dispuesto en grupos para una remoción y limpieza más rápida del material en bruto. Ideal para remover pintura de autos, botes, etc. sin posibilidad de obstrucción.	Su vida útil es hasta 3 veces mayor que la de los discos de óxido de aluminio. Ideales para aplicaciones generales en metal y para trabajos difíciles.

## USO DE RUEDAS ABRASIVAS Y RUEDAS DE CORTE

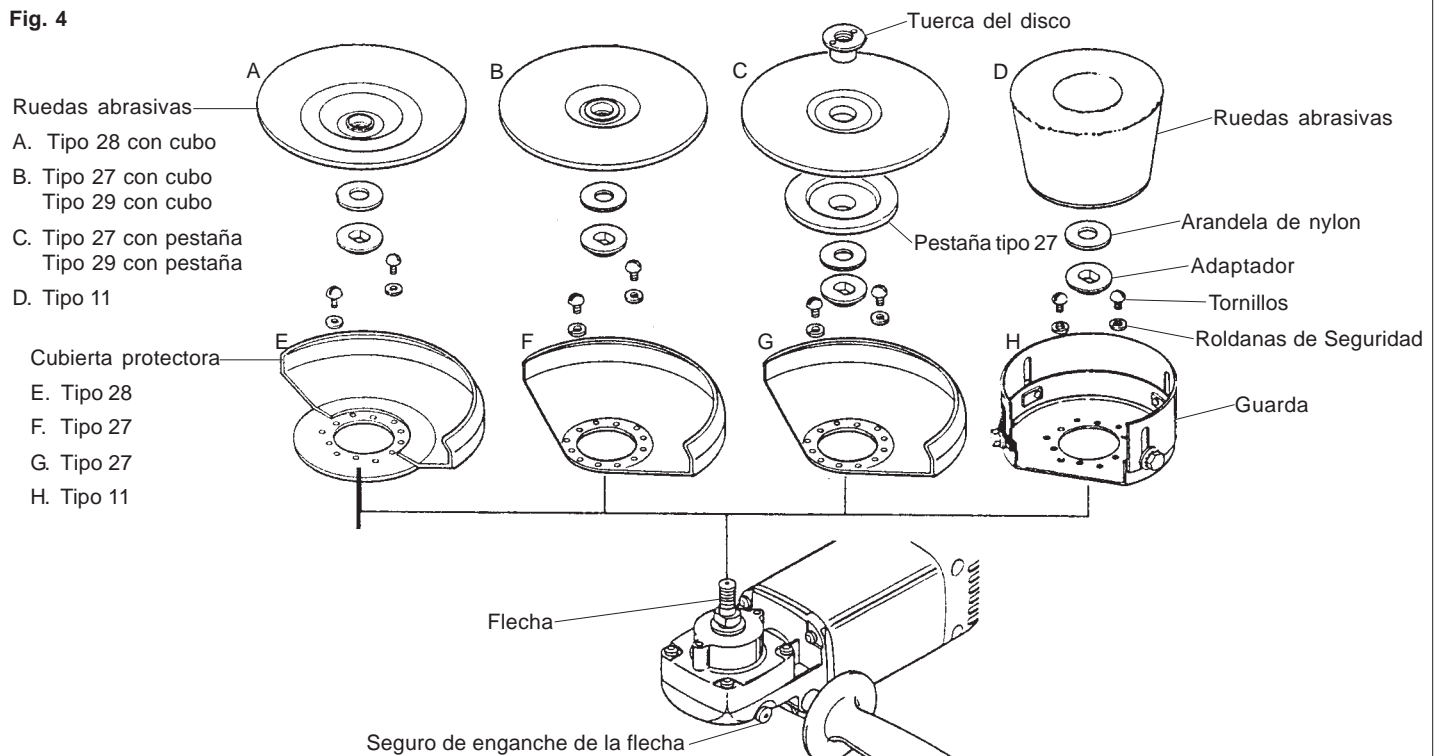
### Instalación de ruedas abrasivas (Fig. 4)

- Desenchufe la herramienta y colóquela boca abajo sobre una superficie nivelada. Retire cualquier accesorio de la flecha.
- Enrosque la arandela de nylon en la flecha. Adjunte la cubierta protectora y la rueda abrasiva utilizando la Fig. 4 para determinar el tipo y orden del ensamble (Vea "Instalación, ajuste y remoción de la cubierta protectora" para instrucciones sobre cómo adjuntar la cubierta protectora). **NOTA:** Cuando instale ruedas abrasivas tipo 27 o tipo 29, coloque la tuerca del disco de acuerdo al grosor de la rueda.

Coloque la cubierta protectora en la ubicación que le ofrezca el mejor control y resguardo. Para informarse sobre las zonas de operación que proporcionan la máxima protección para el operador, Vea "Esmerilado". **NOTA:** Cuando seleccione ruedas abrasivas de cubeta tipo 11, el borde de la cubierta protectora deberá ser ajustado de manera que, como máximo, 3,2 mm (1/8") de la rueda se extienda más allá de la cubierta protectora.

- Para apretarlo, presione el seguro de enganche de la flecha a la vez que gira la rueda o la tuerca del disco en el sentido de las manecillas del reloj con la llave inglesa suministrada.
- Para desmontar el disco abrasivo y el respaldo, desenchufe la herramienta e invierta el procedimiento.

Fig. 4



### Cuidado de las ruedas abrasivas y las ruedas de corte



**¡ADVERTENCIA!**

Para reducir el riesgo de lesiones, deberá instruirse al operario en el uso, cuidados y protección de los discos abrasivos.

Las ruedas abrasivas y las ruedas de corte deben protegerse de:

- humedad y humedad extrema
- cualquier tipo de solvente
- cambios extremos de temperatura
- caídas y golpes

Las ruedas abrasivas y las ruedas de corte deben guardarse:

- de manera organizada de forma tal que puedan tomarse sin perturbar o dañar otras ruedas
- con su información de seguridad

Las ruedas abrasivas y las ruedas de corte NO deben:

- dejarse caer
- rodarse
- golpearse

Si alguna rueda se deja caer, se rueda, se golpea, se somete a cambios extremos de temperatura, o ha entrado en contacto con solventes o humedad, deséchela de inmediato.

## Solución de problemas

Las ralladuras profundas y las marcas circulares pueden deberse a:

- Presión irregular
- Uso de un disco parcialmente cristalizado - especialmente en aplicaciones en aluminio
- Polvo o rebabas sueltas en la pieza de trabajo
- No hacer movimientos constantes a través de la superficie

Cuando la superficie de metal se torna azulosa, esto indica:

- Exceso de calor ocasionado por movimientos circulares en áreas demasiado pequeñas
- Exceso de presión
- Uso de discos cristalizados o gastados

## Revisión de las ruedas

Maneje siempre las ruedas con cuidado para evitar dañarlas. Antes de instalarlas, revíselas para comprobar que no tengan grietas. Si están agrietadas, deséchelas para evitar que otras personas las usen.

## Selección de ruedas



**¡ADVERTENCIA!**

Utilice solamente los discos con una velocidad máxima para una operación segura con capacidad nominal igual o superior a los RPM listados en la sección "ADVERTENCIA" en la placa de la herramienta. Esta velocidad se basa en la resistencia de la rueda y permite una medida de seguridad razonable. Esto no implica que esta velocidad sea mejor u óptima. No exceda la velocidad máxima para una operación segura.

Esmerilar es la acción de cortar con miles de granos abrasivos que se encuentran en la cara de una rueda abrasiva. Cuando esmerile metales, tales como hierro y acero, seleccione una rueda abrasiva de óxido de aluminio. Cuando esmerile piedra o concreto, utilice una rueda abrasiva de carburo de silicio. Utilice ruedas reforzadas de algodón para trabajos en metales no féreos.

Las ruedas de corte reforzadas tipo 27 de 3,2 mm (1/8") son ideales para operaciones de corte y de acanalado solamente.

## Esmerilado (Fig. 5 y 6)



**¡ADVERTENCIA!**

Para reducir el riesgo de lesiones al esmerilar:

- **Sostenga SIEMPRE** la herramienta firmemente con ambas manos y utilice los mangos proporcionados, antes y durante el esmerilado.
- **NUNCA** permita que la rueda se atasque.
- **NUNCA** utilice una rueda que se haya dejado caer.
- **NUNCA** golpee la rueda abrasiva contra la pieza de trabajo.
- **NUNCA** esmerile sin contar primero con el equipo de seguridad correcto.

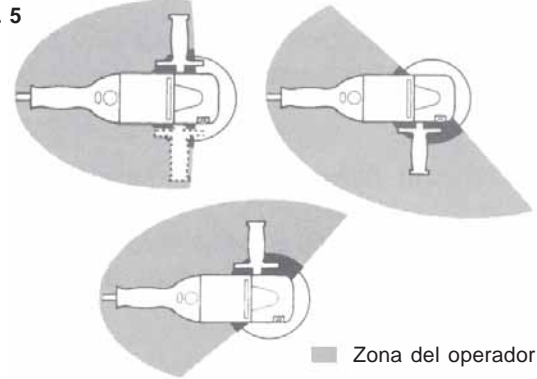


**¡ADVERTENCIA!**

Para reducir el riesgo de lesiones al esmerilar, utilice SIEMPRE la cubierta protectora adecuada. SIEMPRE instale la cubierta protectora de manera correcta.

1. Según el trabajo a ser realizado, coloque el protector para que este proporcione la máxima protección al operador cómo se muestra (Fig. 5).

Fig. 5



2. Si usted acaba de instalar una rueda abrasiva o está a punto de comenzar un trabajo, pruebe el disco dejándolo girar por espacio de un minuto antes de aplicarlo sobre la pieza de trabajo.

**NOTA:** Cuando las ruedas se hallan desbalanceadas, pueden estropear la pieza de trabajo, dañar la herramienta, causar la fatiga de la rueda y provocar que ésta falle.

3. Sujete firmemente el mango posterior y el mango lateral antes de comenzar y mientras utiliza la herramienta. Permita que la rueda alcance su máxima velocidad antes de iniciar el trabajo.
4. Cuando esmerile, sujete la herramienta en un ángulo entre 5° y 15° según se muestra, ejerciendo una presión constante para un acabado uniforme (Fig. 6). Un ángulo superior al especificado ocasionará la concentración de presión en áreas pequeñas, lo que se traduce en daños al material o quemaduras en la superficie de trabajo.

Fig. 6



5. Controle la presión y el contacto entre la rueda y la pieza de trabajo. Una presión excesiva disminuye la velocidad de corte.

## Usando discos de corte tipo 27 (Fig. 7)



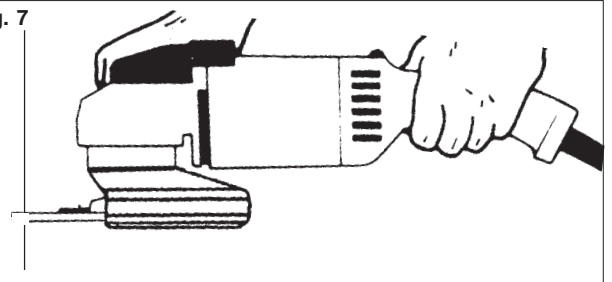
**¡ADVERTENCIA!**

Se debe instalar una cubierta protectora tipo 27 cuando utilice una rueda de corte tipo 27 a fin de proporcionarle al operador un resguardo máximo en caso que la rueda se rompa.

Los discos reforzados tipo 27 son ideales para operaciones de corte y de acanalado solamente.

1. Sujete firmemente el mango posterior y el mango lateral antes de comenzar y mientras utiliza la herramienta. Permita que el disco alcance su máxima velocidad antes de iniciar el trabajo.
2. Cuando utilice una rueda de corte, sujete la herramienta según se muestra, utilizando solamente el borde de la rueda (Fig. 7).

Fig. 7



3. Controle la presión y el contacto entre la rueda y la pieza de trabajo. Una presión excesiva disminuye la velocidad de corte.

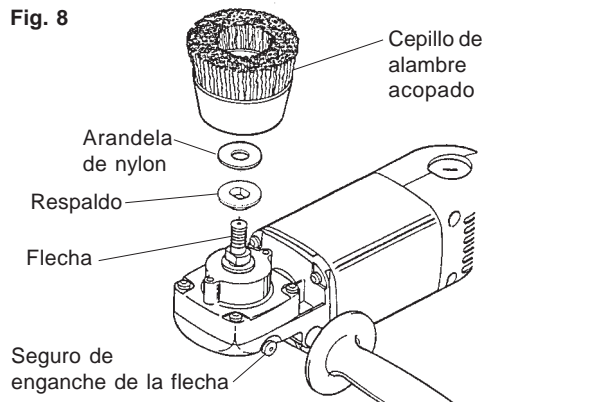
### Selección de cepillos de alambre

Los cepillos de alambre son útiles para remover óxido, incrustaciones, rebabas, escorias de soldadura, etc. Se dispone de una amplia variedad de cepillos de alambre para diferentes aplicaciones.



**Toda persona que se encuentre en el área de trabajo deberá usar gafas y vestimenta protectora o protección para la cara. Los alambres con cierto grado de fatiga y los residuos podrían salir disparados del cepillo con una fuerza considerable y posiblemente ocasionar lesiones graves.**

### Instalación de cepillos de alambre acopados (Fig. 8)



1. Desenchufe la herramienta y colóquela boca abajo sobre una superficie nivelada. Retire cualquier accesorio de la flecha.

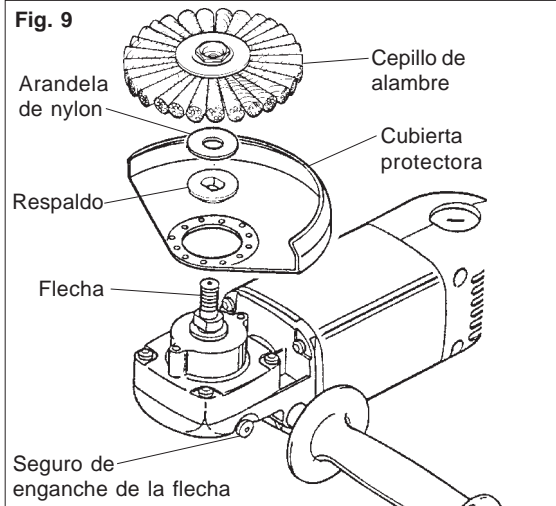
**NOTA:** Nunca utilice una cubierta protectora con un cepillo de alambre acopado.

2. Enrosque la arandela de nylon en la flecha. Adjunte el cepillo de alambre acopado y la flecha.
3. Presione el seguro de enganche de la flecha mientras aprieta el cepillo con una llave (no se incluye con la herramienta).
4. Para retirar el cepillo de alambre acopado, desenchufe la herramienta e invierta el procedimiento.

### Instalación de los cepillos de alambre tipo rueda (Fig. 9)



**Dado que los alambres en los cepillos de alambre tipo rueda quedan orientados hacia el operador, se debe utilizar una cubierta protectora tipo 27 a fin de proteger al operador cuando los alambres con cierto grado de fatiga se rompan.**



1. Desenchufe la herramienta y colóquela boca abajo sobre una superficie nivelada. Retire cualquier accesorio de la flecha.
2. Enrosque la arandela de nylon en la flecha. Adjunte la cubierta protectora y el cepillo de alambre tipo rueda en la flecha (Vea la Fig. 4 para instrucciones sobre cómo adjuntar la cubierta protectora). Coloque la cubierta protectora en la ubicación que le ofrezca el mejor control y protección de cubierta. Para informarse sobre las zonas de operación que proporcionan la máxima protección para el operador, vea la "Esmerilado".
3. Presione el seguro de enganche de la flecha mientras aprieta el cepillo con una llave (no se incluye con la herramienta).
4. Para retirar el cepillo de alambre tipo rueda y la cubierta protectora, desenchufe la herramienta e invierta el procedimiento.

### Uso de los cepillos de alambre



**Nunca exceda la velocidad máxima de operación del cepillo. No utilice cepillos dañados o que funcionen inadecuadamente (que lancen partículas o estén desbalanceados). Estas condiciones aumentan el riesgo de una falla posterior mayor y una posible lesión. Deseche y reemplace los cepillos dañados de inmediato.**

1. No lleve puesta vestimenta holgada cuando utilice los cepillos de alambre. Los alambres podrían quedar atrapados en este tipo de vestimenta y tirar de la misma hacia las partes en movimiento.
2. Sujete firmemente el mango posterior y el mango lateral antes de comenzar y mientras utiliza la herramienta. Siempre examine el cepillo de alambre para probar su balance y detectar la presencia de alambres sueltos o defectuosos, operando la herramienta a una velocidad sin carga por espacio de un minuto antes de utilizar con la pieza de trabajo.
3. Cuando utilice el cepillo con la pieza de trabajo, evite ejercer demasiada presión. Esto ocasiona la sobreflexión de los alambres y acumulación de calor, dando como resultado el rompimiento prematuro de los alambres, un desgaste rápido y una menor vida útil del cepillo.

En lugar de ejercer mayor presión, intente con un cepillo de alambre tipo rueda con una acción de corte más agresiva (alambres de mayor tamaño, alambres de menor longitud u otro tipo de cepillo, por ejemplo, cepillo tipo anudado en lugar de cepillo tipo rizado).

## MANTENIMIENTO



**¡ADVERTENCIA!**

Para reducir el riesgo de lesiones, desconecte siempre la herramienta antes de darle cualquier mantenimiento. Nunca desarme la herramienta ni trate de hacer modificaciones en el sistema eléctrico de la misma. Acuda siempre a un Centro de Servicio **MILWAUKEE** para TODAS las reparaciones.

### Mantenimiento de las herramientas

Adopte un programa regular de mantenimiento y mantenga su herramienta en buenas condiciones. Antes de usarla, examine las condiciones generales de la misma. Inspeccione guardas, interruptores, el cable de la herramienta y el cable de extensión. Busque tornillos sueltos o flojos, defectos de alineación y dobleces en partes móviles, así como montajes inadecuados, partes rotas y cualquier otra condición que pueda afectar una operación segura. Si detecta ruidos o vibraciones anormales, apague la herramienta de inmediato y corrija el problema antes de volver a usarla. No utilice una herramienta dañada. Colóquese una etiqueta que diga "NO DEBE USARSE" hasta que sea reparada (vea "Reparaciones").

Bajo condiciones normales, no se requiere lubricación hasta que haya que cambiar los carbones. Después de 6 meses a un año, dependiendo del uso dado, envíe su herramienta al Centro de Servicio **MILWAUKEE** más cercano para que le hagan:

- Lubricación
- Inspección y cambio de carbones
- Inspección mecánica y limpieza (engranes, flechas, baleros, carcarza, etc.)
- Inspección eléctrica (interruptor, cable, armadura, etc.)
- Probarla para asegurar una operación mecánica y eléctrica adecuada.



**¡ADVERTENCIA!**

Para reducir el riesgo de lesiones, descarga eléctrica o daño a la herramienta, nunca la sumerja en líquidos ni permita que estos fluyan dentro de la misma.

### Limpieza

Limpie el polvo y suciedad de las ventilas. Mantenga las empuñaduras de la herramienta limpias, secas y libres de aceite y grasa. Use sólo jabón neutro y un trapo húmedo para limpiar su herramienta ya que algunas sustancias y disolventes limpiadores pueden ocasionar daños a materiales plásticos y partes aislantes. Algunos de estos incluyen: gasolina, trementina, diluyente para barniz, diluyente para pintura, disolventes limpiadores clorados, amoníaco, y detergentes caseros que contengan amoníaco.

### Reparaciones

Si su instrumento se daña, vuelva el instrumento entero al más cercano centro de reparaciones.

## ACCESORIOS



**¡ADVERTENCIA!**

Para reducir el riesgo de lesiones, desconecte siempre su herramienta antes de colocar o retirar un accesorio. Use solo accesorios recomendados específicamente. Otros pueden ser peligrosos.

Para una lista completa de accesorios, refiérase a su catálogo **MILWAUKEE** Electric Tool o visite nuestro sitio en Internet: [www.milwaukeetool.com](http://www.milwaukeetool.com). Para obtener un catálogo, contacte su distribuidor local o uno de los centros.

### Brida de Reemplazo

Cat. No. 49-05-0060

Para el reemplazo de bridas dañadas o perdidas.

### Arandela de Nylon de Reemplazo

Cat. No. 45-88-8465

Para el reemplazo de arandelas dañadas o perdidas.

### Estuche Portátil de Acero

Cat. No. 48-55-0890

Guarde y proteja su inversión y además organice sus accesorios con este fuerte estuche de acero.

### Mango Lateral

Cat. No. 43-62-0880

Para el reemplazo de mangos laterales dañados o perdidos.

### Cortador de Discos Abrasivos

Cat. No. 49-80-1000

Prolongue la vida útil de los discos abrasivos grandes previamente usados, reduciéndolos a tamaños más pequeños y exponiendo sus superficies de grano fresco para volverlos a utilizar.

## GARANTÍA LIMITADA DE CINCO AÑOS

Todas las herramientas **MILWAUKEE** se prueban antes de abandonar la fábrica y se garantiza que no presentan defectos ni en el material ni de mano de obra. En el plazo de cinco (5) años a partir de la fecha de compra **MILWAUKEE** reparará o reemplazará (a discreción de **MILWAUKEE**), sin cargo alguno, cualquier herramienta (cargadores de baterías inclusive) cuyo examen determine que presenta defectos de material o de mano de obra. Devuelva la herramienta, con gastos de envío prepagados y asegurada, y una copia de la factura de compra, u otro tipo de comprobante de compra, a una sucursal de reparaciones/ventas de la fábrica **MILWAUKEE** o a un centro de reparaciones autorizado por **MILWAUKEE**. Esta garantía no cubre los daños ocasionados por reparaciones o intentos de reparación por parte de personal no autorizado por **MILWAUKEE**, abuso, desgaste y deterioro normal, falta de mantenimiento o accidentes.

Las baterías, linternas y radios tienen una garantía de un (1) año a partir de la fecha de compra.

LOS DERECHOS A REPARACIÓN Y REEMPLAZO DESCRITOS EN EL PRESENTE DOCUMENTO SON EXCLUSIVOS. **MILWAUKEE** NO SERÁ EN NINGÚN CASO RESPONSABLE DE DAÑOS INCIDENTALES, ESPECIALES O CONSECUENTES, INCLUYENDO LA PÉRDIDA DE GANANCIAS.

ESTA GARANTÍA ES EXCLUSIVA Y SUSTITUYE A TODA OTRA GARANTÍA, O CONDICIONES, ESCRITAS U ORALES, EXPRESAS O IMPLÍCITAS DE COMERCIALIZACIÓN O IDONEIDAD PARA UN USO O FIN DETERMINADO.

Esta garantía le proporciona derechos legales específicos. Es posible que usted tenga otros derechos que varían de estado a estado y de provincia a provincia. En aquellos estados que no permiten la exclusión de garantías implícitas o la limitación de daños incidentales o consecuentes, las limitaciones anteriores pueden que no apliquen. Esta garantía es válida solamente en los Estados Unidos, Canadá y México.

## UNITED STATES

### MILWAUKEE Service

MILWAUKEE prides itself in producing a premium quality product that is **NOTHING BUT HEAVY DUTY®**.

Your satisfaction with our products is very important to us!

If you encounter any problems with the operation of this tool, or you would like to locate the *factory Service/Sales Support Branch* or *authorized service station* nearest you, please call...

# 1-800-SAWDUST

(1.800.729.3878)

NATIONWIDE TOLL FREE

Monday-Friday • 8:00 AM - 4:30 PM • Central Time  
or visit our website at

**[www.milwaukeetool.com](http://www.milwaukeetool.com)**

For service information, use the 'Service Center Search' icon found in the 'Parts & Service' section.

Additionally, we have a nationwide network of *authorized* Distributors ready to assist you with your tool and accessory needs. Check your "Yellow Pages" phone directory under "Tools-Electric" for the names & addresses of those nearest you or see the 'Where To Buy' section of our website.

Corporate After Sales Service - Technical Support  
Brookfield, Wisconsin USA

•Technical Questions •Service/Repair Questions •Warranty

**1-800-SAWDUST**

(1.800.729.3878)

fax:1.800.638.9582

**email: [metproductsupport@milwaukeetool.com](mailto:metproductsupport@milwaukeetool.com)**

Monday-Friday • 8:00 AM - 4:30 PM • Central Time

## CANADA

### Service MILWAUKEE

MILWAUKEE est fier de proposer un produit de première qualité **NOTHING BUT HEAVY DUTY®**. Votre satisfaction est ce qui compte le plus!

En cas de problèmes d'utilisation de l'outil ou pour localiser le centre de service/ventes ou le *centre d'entretien* le plus proche, appelez le...

# 416.439.4181

fax: 416.439.6210

**Milwaukee Electric Tool (Canada) Ltd**

755 Progress Avenue

Scarborough, Ontario M1H 2W7

Notre réseau national de distributeurs *agrés* se tient à votre disposition pour fournir l'aide technique, l'outillage et les accessoires nécessaires. Composez le 416.439.4181 pour obtenir les noms et adresses des revendeurs les plus proches ou bien consultez la section «Où acheter» sur notre site web à l'adresse

**[www.milwaukeetool.com](http://www.milwaukeetool.com)**

## MEXICO

### Soporte de Servicio MILWAUKEE

**Milwaukee Electric Tool, S.A. de C.V.**

Bldv. Abraham Lincoln no. 13

Colonia Los Reyes Zona Industrial

Tlalnepantla, Edo. México C.P. 54073

Tel. (55) 5565-1414 Fax: (55) 5565-6874

Adicionalmente, tenemos una red nacional de distribuidores autorizados listos para ayudarle con su herramienta y sus accesorios. Por favor, llame al (55) 5565-1414 para obtener los nombres y direcciones de los más cercanos a usted, o consulte la sección 'Where to buy' (Dónde comprar) de nuestro sitio web en

**[www.milwaukeetool.com](http://www.milwaukeetool.com)**

# MILWAUKEE ELECTRIC TOOL CORPORATION

13135 West Lisbon Road • Brookfield, Wisconsin, U.S.A. 53005