

TeleEye MX Series

HD Network Camera

MX810-HD / MX820-HD

MX833-HD / MX873-HD / MX763-HD



Installation Guide



Notice:

Signal Communications Limited reserves the right to make improvements to the product described in this manual at any time and without notice.

This manual is copyrighted. All rights are reserved. This manual should not be copied, reproduced or translated in whole or part without prior consent from Signal Communications Limited.

TeleEye is a trademark of Signal Communications Limited and is registered in China, European Communities, Hong Kong, US and other countries.

All other trademarks are the property of their respective owners.

Copyright (c) 2011 Signal Communications Limited (A member of TeleEye Group). All rights reserved.

Version 0.12

Limits of Liability and Disclaimer of Warranty

Signal Communications Limited has taken care in preparation of this manual, but makes no expressed or implied warranty of any kind and assumes no responsibility for errors or omissions. No liability is assumed for incidental or consequential damages in connection with or arising out of the use of the information or accessories contained herein.

Features and specifications are subject to change without prior notice.

Contents

1.	Package Contents	6
1.1.	MX810-HD	6
1.2.	MX820-HD / MX823-HD	7
1.3.	MX833-HD	8
1.4.	MX873-HD	9
1.5.	MX763-HD	10
2.	Hardware Installation	11
2.1.	MX810-HD	11
2.1.1.	Features	11
2.1.2.	Installation	11
2.2.	MX820-HD / MX823-HD	14
2.2.1.	Features	14
2.2.2.	Installation	14
2.3.	MX833-HD	17
2.3.1.	Features	17
2.3.2.	Installation	17
2.4.	MX873-HD	20
2.4.1.	Features	20
2.4.2.	Installation	20
2.5.	MX763-HD	23
2.5.1.	Features	23
2.5.2.	Installation	23
3.	Software Installation	25
3.1.	PC Requirements	25
3.2.	sureSIGHT Installation	25
4.	Network Configuration	28
4.1.	Connect Camera to the Network	28
4.2.	Change the IP address	29
5.	Video Monitoring	31
5.1.	sureSIGHT	31
5.2.	Web Browser	34
6.	Appendix	36
6.1.	Functional Features	36

6.2.	Specifications	38
6.3.	Dimension	40
6.3.1.	MX810-HD	40
6.3.2.	MX820-HD	40
6.3.3.	MX823-HD	40
6.3.4.	MX833-HD	41
6.3.5.	MX873-HD	41
6.3.6.	MX763-HD	41

Introduction

TeleEye MX Series is a complete portfolio of professional and practical HD network camera utilizing our proprietary HD SMAC-M compression technology. The MX series offers the balanced combination of high-quality video, mobility, scalability and cost effectiveness. By using TeleEye MX, users can build an integrated, scalable, wired or wireless IP & mobile video surveillance solution over existing network infrastructure. With the support of TeleEye versatile back-end applications, users can gain extra control over their TeleEye business management beyond security.

Safety Cautions

- Do not install the camera in extreme temperature conditions. Use the camera under conditions where temperatures are within +0C ~ +40C: (32F ~ 104F)
- Do not install the camera under unstable lighting conditions. Severe lighting change or flicker can cause the camera to work improperly.
- Do not install or use the camera in an environment where humidity is high. This can result in poor-quality image.
- Do not disassemble the camera. There are no user serviceable parts inside it. Opening or removing the camera's cover may expose you to dangerous voltage or other hazards. Refer all servicing to qualified personnel only.
- Do not touch the imaging surface of sensor. Use a soft cloth with alcohol to clean the surface if it is touched accidentally.
- The camera may be damaged by electrical and physical shock. Use regulated 12V DC, 1.25A power supply. Do not throw or drop it onto the floor.
- The camera can be used outdoor. But if it is used outdoor, it is required to avoid direct light from the sun. Do not use it under water.

1. Package Contents

After removing the package, make sure you have the following items:







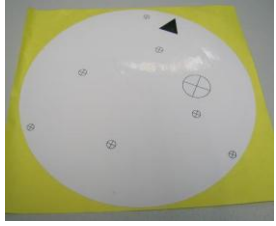



1.1. MX810-HD

MX810-HD High Definition Fixed Dome

Package Contents	Description	Package Contents	Description
	MX810-HD network camera		Warranty Card
	Registration Code Sheet		Installation Guide
	Software CD		RJ-45 Ethernet Adapter
	Label		Wall Mount Screws and plastic wall plugs
	Hexagon Wrench		Power Jack Converter




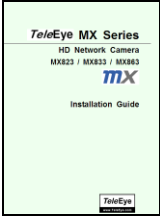



1.2. MX820-HD / MX823-HD

MX820-HD Outdoor & Vandal Resistant Fixed Dome

Package Contents	Description	Package Contents	Description
	MX820-HD network camera		Warranty Card
	Registration Code Sheet		Installation Guide
	Software CD		RJ-45 Ethernet Adapter
	Label		Wall Mount Screws and plastic wall plugs
	Hexagon Wrench		Power Jack Converter

1.3. MX833-HD

MX833-HD IR Vandal Resistant HD CCTV Camera

Package Contents	Description	Package Contents	Description
	MX833-HD network camera		Warranty Card
	Registration Code Sheet		Installation Guide
	Software CD		RJ-45 Ethernet Adapter
	Screw driver, wall mount screws and plastic wall plugs		






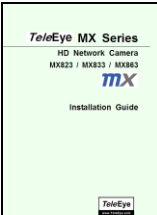

1.4. MX873-HD

MX873-HD IR Vari-focal HD CCTV Camera

Package Contents	Description	Package Contents	Description
	MX873-HD network camera		Warranty Card
	Registration Code Sheet		Installation Guide
	Software CD		RJ-45 Ethernet Adapter
	Hexagon Wrench		Wall hole label, Wall mount screws and plastic wall plugs
	Screw Driver		

1.5. MX763-HD

MX763-HD Day & Night HD CCTV Camera

Package Contents	Description	Package Contents	Description
	<p>MX763-HD network camera</p>		<p>CS mount CCTV Lens (Optional)</p>
	<p>Power Converter Cable</p>		<p>Warranty Card</p>
	<p>Registration Code Sheet</p>		<p>Installation Guide</p>
	<p>Software CD</p>		

2. Hardware Installation

In this chapter, it will show you how to setup and adjust the MX series cameras.

2.1. MX810-HD

2.1.1.Features

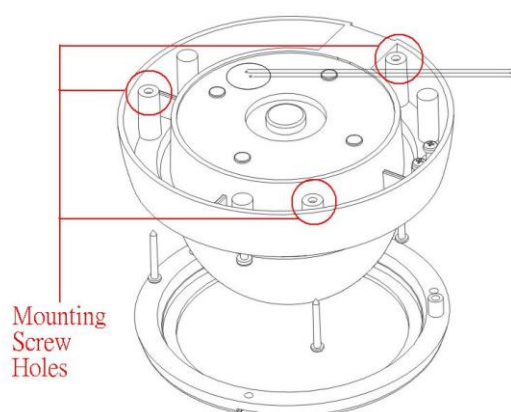
MX810-HD High Definition Fixed Dome

Weather Proof and Vandal Resistance

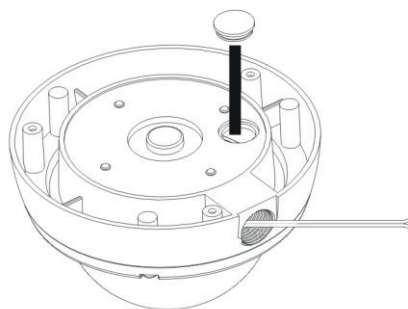


- 1/3.2" CMOS sensor
- f=3.6mm or 6mm fixed iris lens
- 720p, 15fps
- Max. Resolution: 1600 x 900p
- IP66 weather proof and Vandal Resistant
- HD SMAC-M multi-stream coder for HD video
- Independent HD video recording stream
- Independent mobile stream for mobile phone viewing
- Optional sureREC HD Video Recording Solution
- Optional sureSIGHT Integrated Video Management Solution

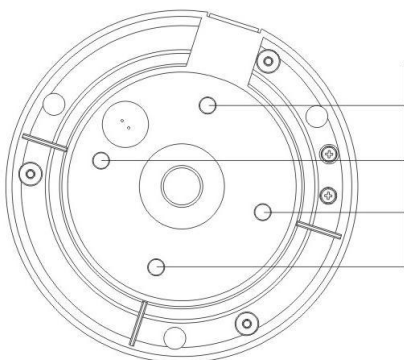
2.1.2.Installation



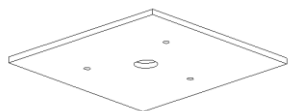
The positions marked with circles show the holes for mounting screw.



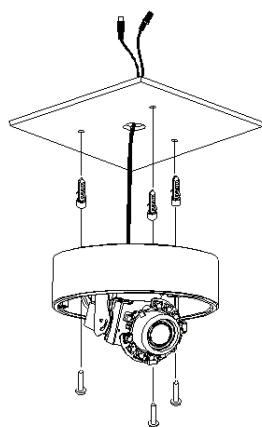
There is an alternate hole for the power cable, Ethernet cable and alarm cable. When this hole is used, the upper hole has to be sealed with the plastic cork.



These 4 plastic corks should never be removed when waterproof is a critical requirement.

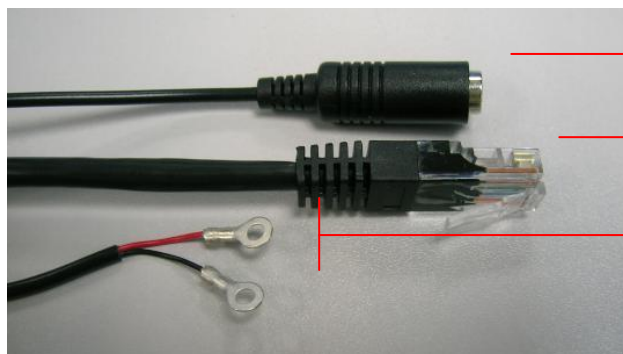


Drill a $\phi 25\text{mm}$ hole on the ceiling for video and power connector cable to pass through.



Take off the dome cover from the camera. Use specified holes inside the camera base for installation.

With reference to the following figure, connect the power cable with a 12V DC supply, Ethernet cable through the LAN adapter and alarm cable to the camera.

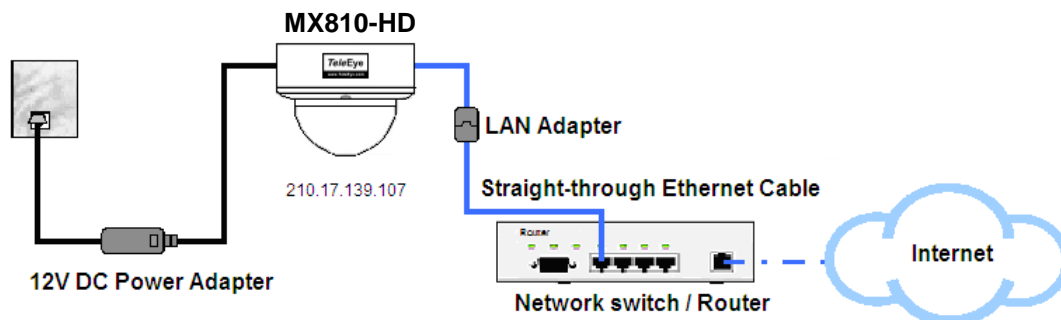


Power cable (DC12V IN)

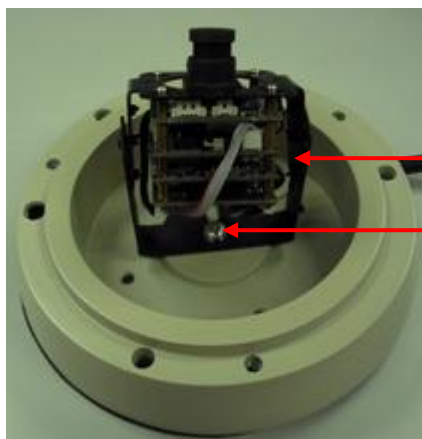
Ethernet cable

Alarm cable

After mounting the camera on the wall or the ceiling, connect the power cable with a 12VDC supply and connect the Ethernet cable to the LAN adapter as the follows:



Run sureSIGHT or Web browser (Please refer to chapter 5 for more details) to start the live video monitoring in order to tune the camera. Then loose the screws to adjust the camera's direction (pan/tilt).



Loose this screw for adjusting tilt position

Loose this screw for adjusting pan position

Tighten the screws to fix the direction of the camera module. Finally, close the camera cover.

2.2. MX820-HD / MX823-HD

2.2.1.Features

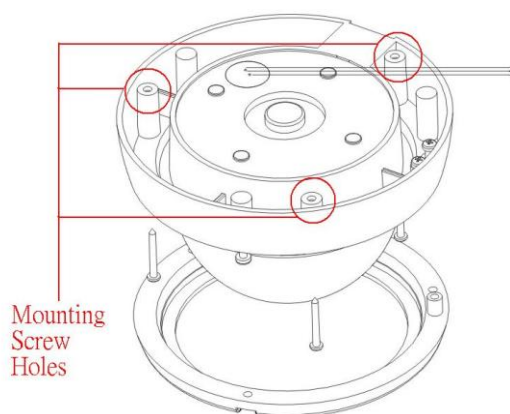
MX820-HD / MX-823-HD Outdoor & Vandal Resistant Fixed Dome

Outdoor and Vandal Resistant

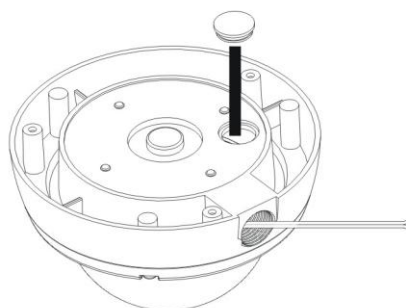


- 1/3.2" CMOS sensor
- f=3.6mm or 6mm fixed iris lens
- 720p, 15fps
- Max. Resolution: 1600 x 900p
- IP66 weather proof and Vandal Resistant
- HD SMAC-M multi-stream coder for HD video
- Independent HD video recording stream
- Independent mobile stream for mobile phone viewing
- Optional sureREC HD Video Recording Solution
- Optional sureSIGHT Integrated Video Management Solution

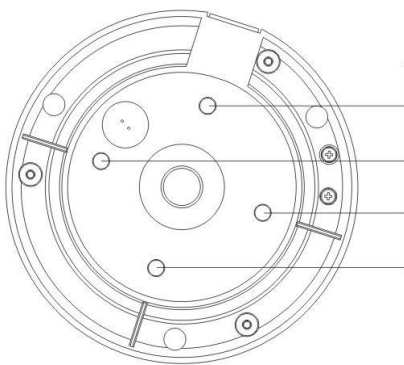
2.2.2.Installation



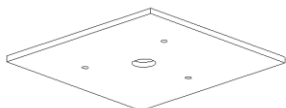
The positions marked with circles show the holes for mounting screw.



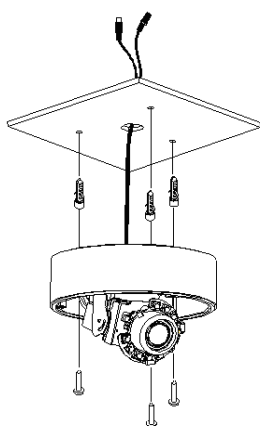
There is an alternate hole for the power cable, Ethernet cable and alarm cable. When this hole is used, the upper hole has to be sealed with the plastic cork.



These 4 plastic corks should never be removed when waterproof is a critical requirement.

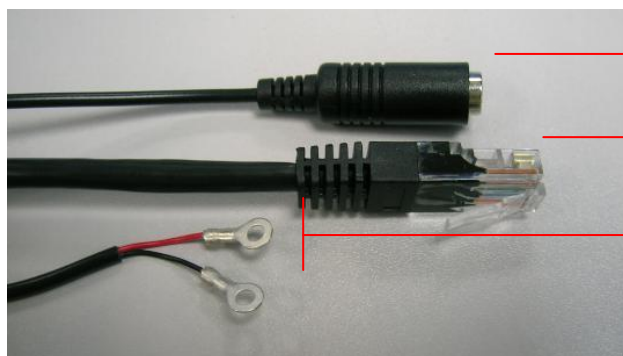


Drill a $\phi 25\text{mm}$ hole on the ceiling for video and power connector cable to pass through.



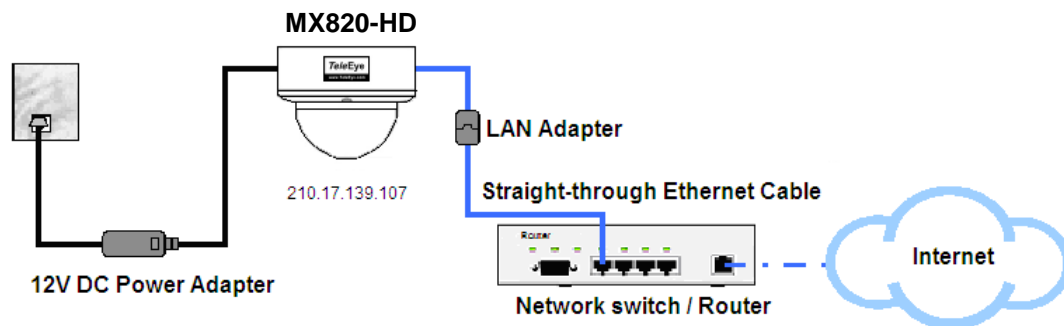
Take off the dome cover from the camera. Use specified holes inside the camera base for installation.

With reference to the following figure, connect the power cable with a 12V DC supply, Ethernet cable through the LAN adapter and alarm cable to the camera.

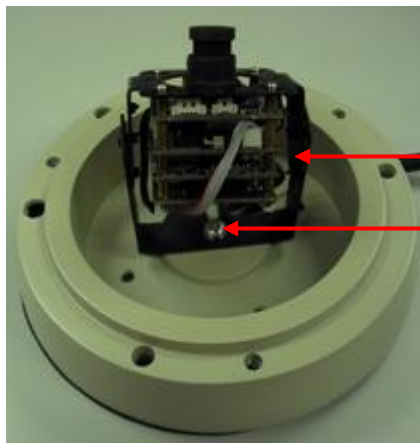


Power cable (DC12V IN)
Ethernet cable
Alarm cable

After mounting the camera on the wall or the ceiling, connect the power cable with a 12VDC supply and connect the Ethernet cable to the LAN adapter as the follows:



Run sureSIGHT or Web browser (Please refer to chapter 5 for more details) to start the live video monitoring in order to tune the camera. Then loose the screws to adjust the camera's direction (pan/tilt).



Loose this screw for adjusting tilt position

Loose this screw for adjusting pan position

Tighten the screws to fix the direction of the camera module. Finally, close the camera cover.

2.3. MX833-HD

2.3.1.Features

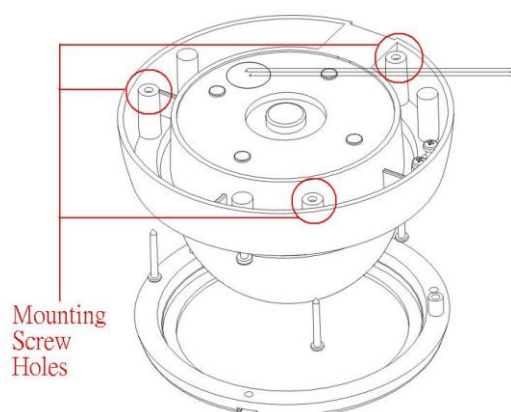
MX833-HD IR Vandal Resistant HD CCTV Camera

HD CCTV Camera with Focus Assist Function

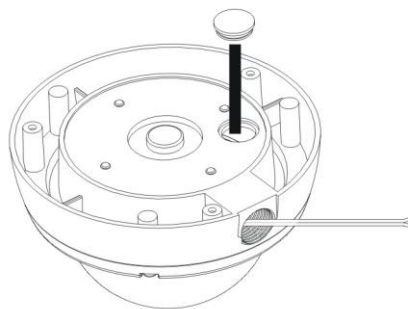


- 1/3.2" CMOS sensor
- f=2.7 - 9mm Vari-focal auto-iris IR lens
- 720p, 15fps
- Max. Resolution: 1600 x 900p
- ~15m IR illumination range
- True day & night operation with auto IR-cut filter
- IP66 Weather Proof and Vandal Resistant
- Power over Ethernet – IEEE 802.3af
- HD SMAC-M multi-stream coder for HD video
- Independent HD video recording stream
- Independent mobile stream for mobile phone viewing
- Optional sureREC HD Video Recording Solution
- Optional sureSIGHT Integrated Video Management Solution

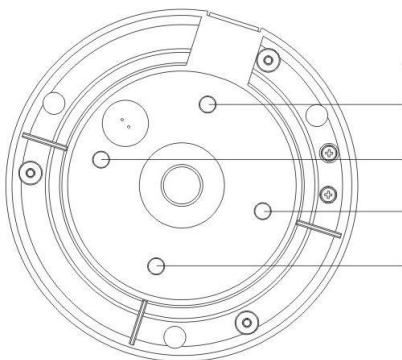
2.3.2.Installation



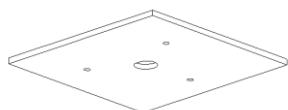
The positions marked with circles show the holes for mounting screw.



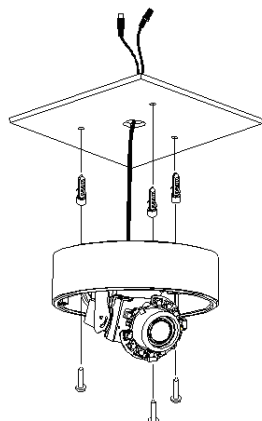
There is an alternate hole for the power cable, Ethernet cable and alarm cable. When this hole is used, the upper hole has to be sealed with the plastic cork.



These 4 plastic corks should never be removed when waterproof is a critical requirement.

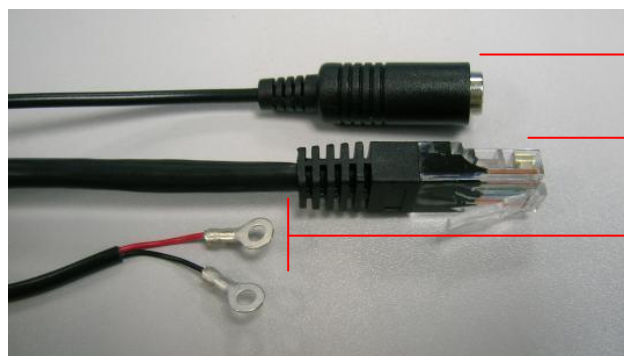


Drill a $\phi 25\text{mm}$ hole on the ceiling for video and power connector cable to pass through.



Take off the dome cover from the camera. Use specified holes inside the camera base for installation.

Finally, with reference to the following figure, connect the power cable with a 12V DC supply, Ethernet cable through the LAN adapter and alarm cable to the camera.

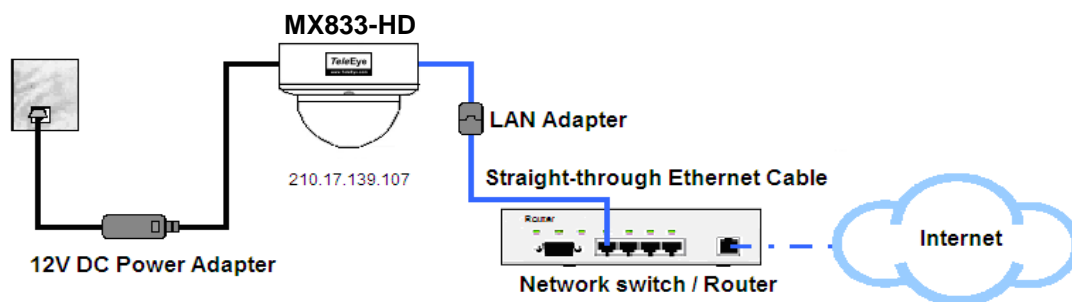


Power cable (DC12V IN)

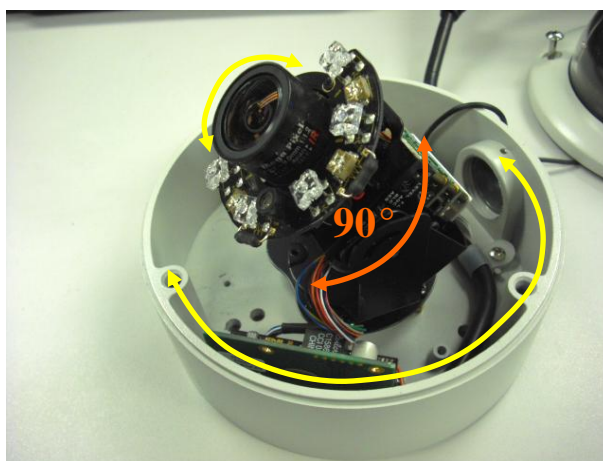
Ethernet cable

Alarm cable

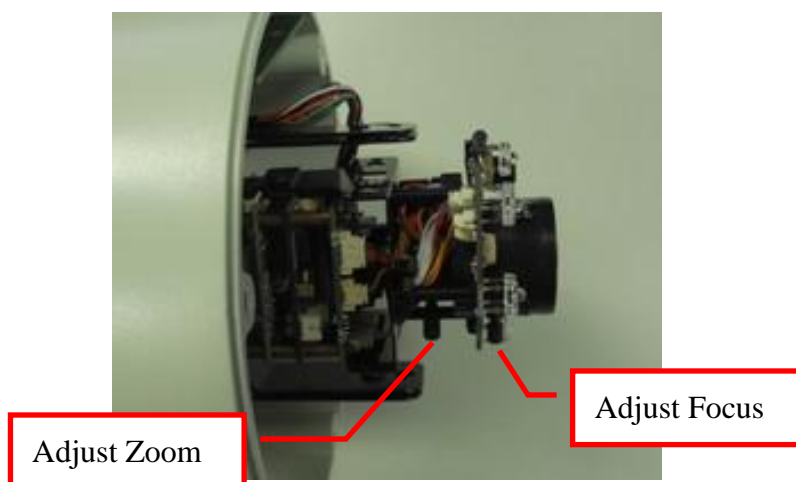
After mounting the camera on the wall or ceiling, connect the power cable with a 12VDC supply and connect the Ethernet cable to the LAN adapter as the follows:



Run sureSIGHT or Web browser (Please refer to chapter 5 for more details) to start the live video monitoring in order to adjust the camera focus, zoom ratio and view area. Then adjust the direction (pan/tilt/rotation) of the camera.



Adjust the zoom and the focus by sliding the sticks at the side of the lens.



Finally, tighten the screws and close the camera cover.

2.4. MX873-HD

2.4.1.Features

MX873-HD IR HD CCTV Camera

Ultra-high Resolution Recording in Darkness.



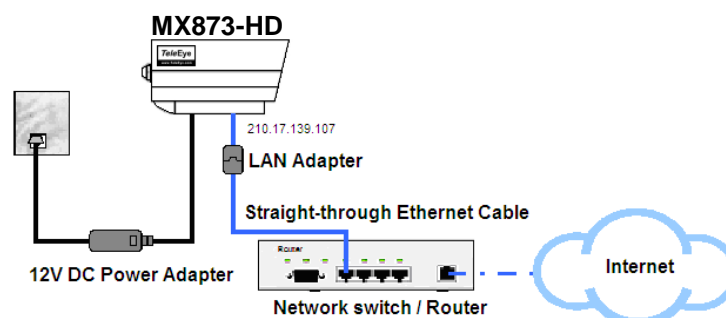
- 1/3.2" CMOS sensor
- f=2.7 - 9mm, Vari-focal auto-iris lens
- 720p, 15fps
- Max. Resolution: 1600 x 900p
- ~15m IR illumination range
- True day & night operation with auto IR-cut filter
- IP66 weather proof
- HD SMAC-M multi-stream coder for HD video
- Independent HD video recording stream
- Independent mobile stream for mobile phone viewing
- Optional sureREC HD Video Recording Solution
- Optional sureSIGHT Integrated Video Management Solution

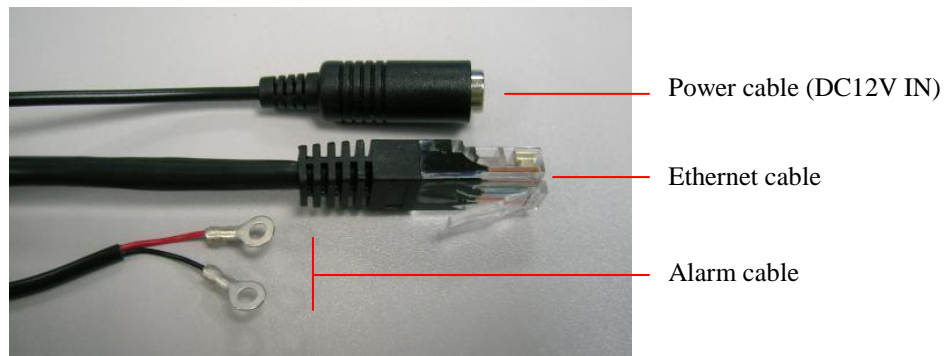
2.4.2.Installation

First, mount the camera on the wall or ceiling as the following steps:

1. Using the mount holes label, drill four holes on the wall or ceiling.
2. Insert the plastic wall plugs into the holes.
3. Fix the screws into the plugs with the camera.

After mounting the camera on the wall or ceiling, connect the power cable with a 12V DC supply and connect the Ethernet cable to the LAN adapter as the follows:

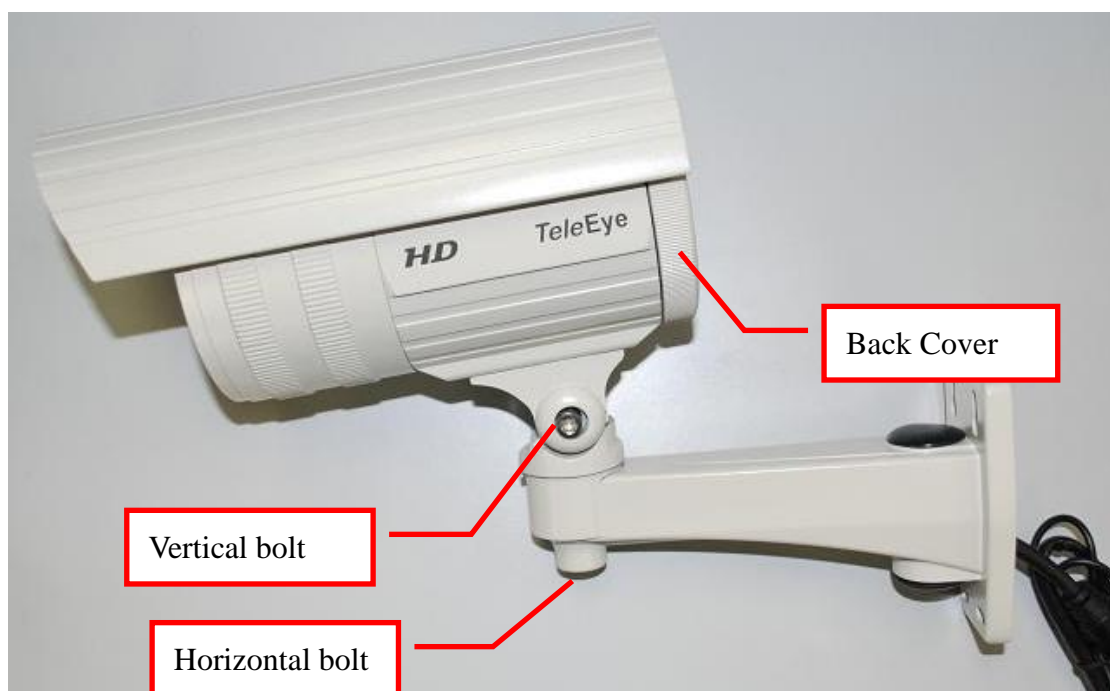




Finally, run sureSIGHT or Web browser (Please refer to chapter 5 for more details) to start the live video monitoring in order to adjust the camera focus, zoom ratio and view area.

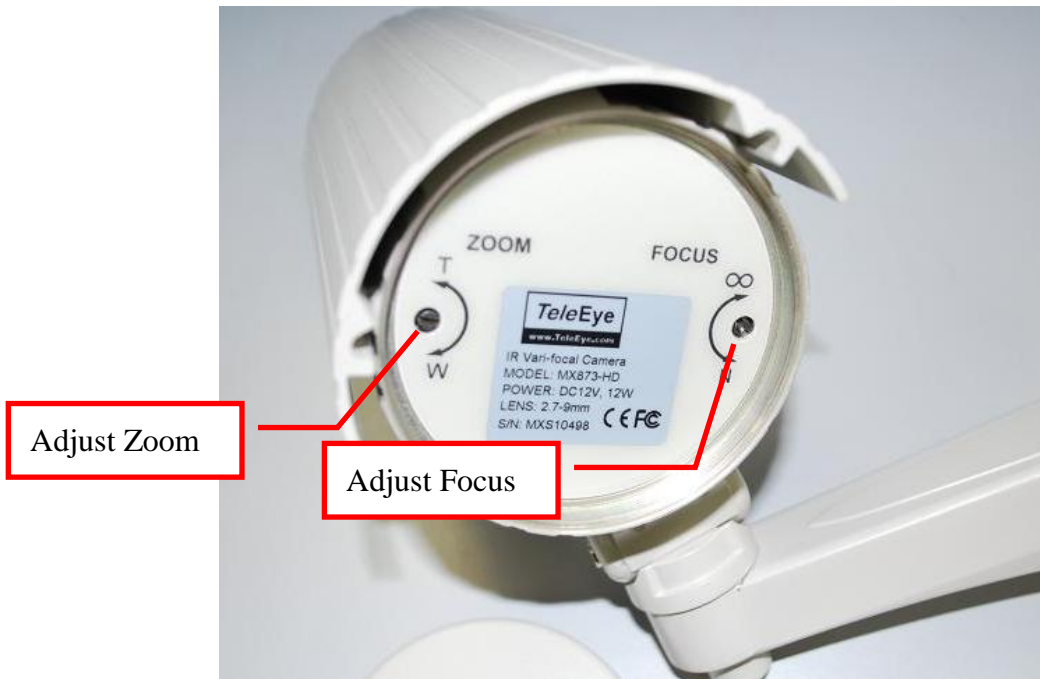
For adjusting the horizontal and view angle:

1. Loosen a bolt to adjust horizontal and vertical angle of the camera
2. Use the wrench to tighten a bolt after adjusting the camera



For adjusting the zoom ratio and focus:

1. Open the back cover.
2. Use the screwdriver to adjust the focus and the zoom ratio.
3. Close the back cover after adjusting the camera



2.5. MX763-HD

2.5.1.Features

MX763-HD Day/Night Box Camera

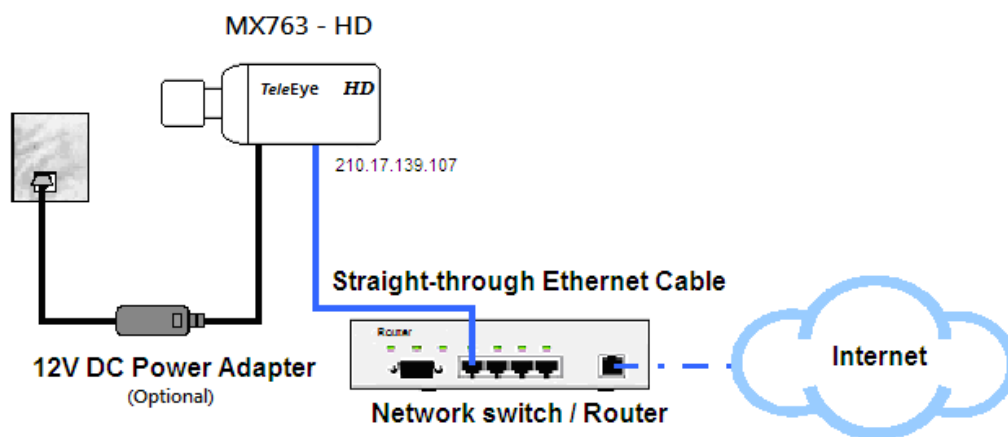
Day & Night Box Camera

- 1/3" SONY CMOS sensor
- 720p, 25fps
- CS-mount
- True day & night operation with auto IR-cut filter
- Power over Ethernet – IEEE 802.3af
- HD SMAC-M multi-stream coder for HD video
- Independent HD video recording stream
- Independent mobile stream for mobile phone viewing
- Optional sureREC HD Video Recording Solution
- Optional sureSIGHT Integrated Video Management Solution

2.5.2.Installation

1. Install the CCTV Lens (CS mount) and connect its DC Iris Cable to the back of the camera.
2. Mount the camera onto the wall or ceiling.
3. Connect the Ethernet Cable to the Ethernet Port of the camera.
4. Connect the power cable with a 12VDC supply (if PoE is not available)





Run sureSIGHT or Web browser (Please refer to chapter 5 for more details) to start the live video monitoring in order to tune the camera according to the steps listed as below:

1. Use the Zoom Ring to adjust the viewing angle of the camera
2. Fine adjust the Focus Ring until a clear and sharp image is obtained.
3. Repeat step 1 and 2 until the viewing angle is satisfactory and the image is clear enough.



3. Software Installation

In this chapter, it will guide you how to install the sureSIGHT software.

3.1. PC Requirements

	sureSIGHT Lite	sureSIGHT Business	sureSIGHT Pro
Processor:	Intel® Core™ 2 Duo Processor	Intel® Core™ 2 Quad Processor	
Memory:	2 GB or above		
Hard Disk:	2 GB of free space or above		
Drive:	CD-ROM or DVD-ROM		
Display:	1280 x 800 resolution, Direct 3D supported		
Sound:	Sound card is required		
Ethernet	10/100 Mbps or above		
Port:	Serial Port		
OS:	Microsoft Windows XP SP3, Vista SP1 and Windows 7 (32-bit Edition)		

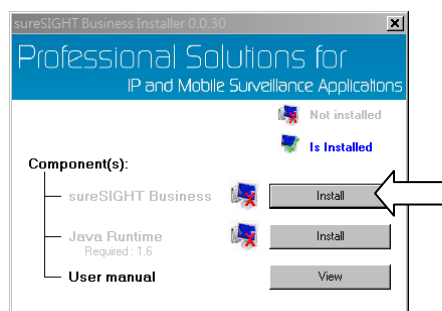
3.2. sureSIGHT Installation

sureSIGHT is an integrated video management platform for IP cameras and Video Recording Servers. Its modular design allows customers to scale up easily and add functional modules to suit specific requirements.

For the sureSIGHT installation, please refer to the following steps:

Step 1: Put the installation CD into a CD-ROM, the installer should be run automatically. If not, open the CD-ROM manually and run the "Installer.exe".

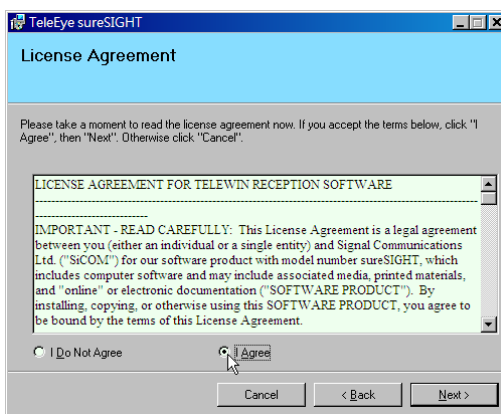
Step 2: Click the **[Install]** button next to "sureSIGHT" in the installation menu.



Step 3: Click the **[Next >]** button in the welcome window.

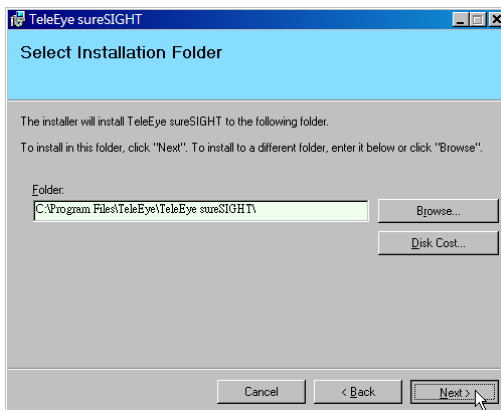


Step 4: After reading the license agreement, select "I Agree" to confirm, and then click the **[Next >]** button.

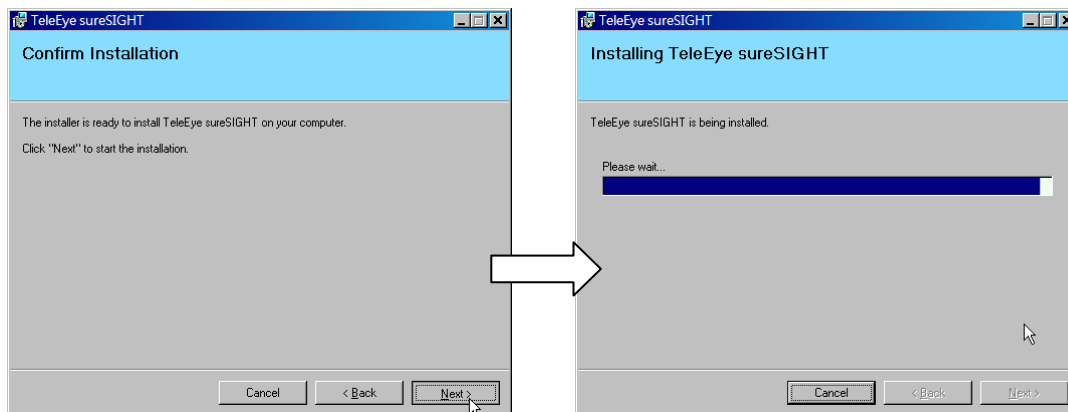


Step 5: **[Browse]** the installation path for sureSIGHT, **[Disk Cost...]** is available for user to check the available space for installation, then click the **[Next >]** button.

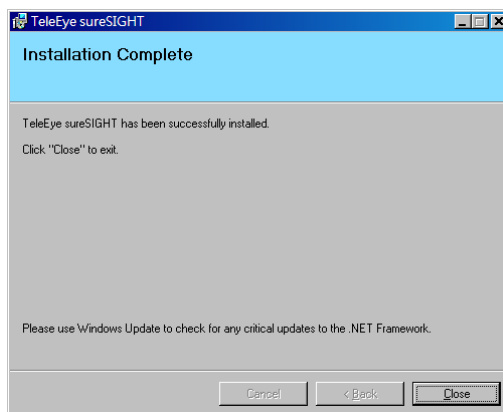
[Note] The default path "C:\Program Files\TeleEye\TeleEye sureSIGHT" is recommended



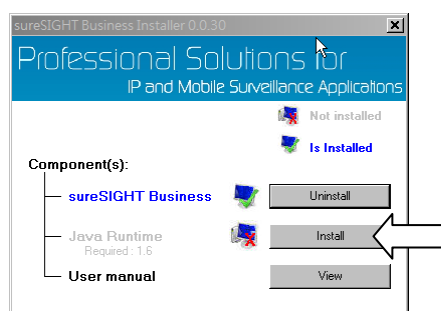
Step 6: Click the **[Next >]** button to confirm the installation.



Step 7: When the installation is completed, click the **[Close]** button to close the window.



Step 8: If the PC does not have Java runtime installed, return to the installation menu and click the **[Install]** button next to “Java Runtime” to install it.



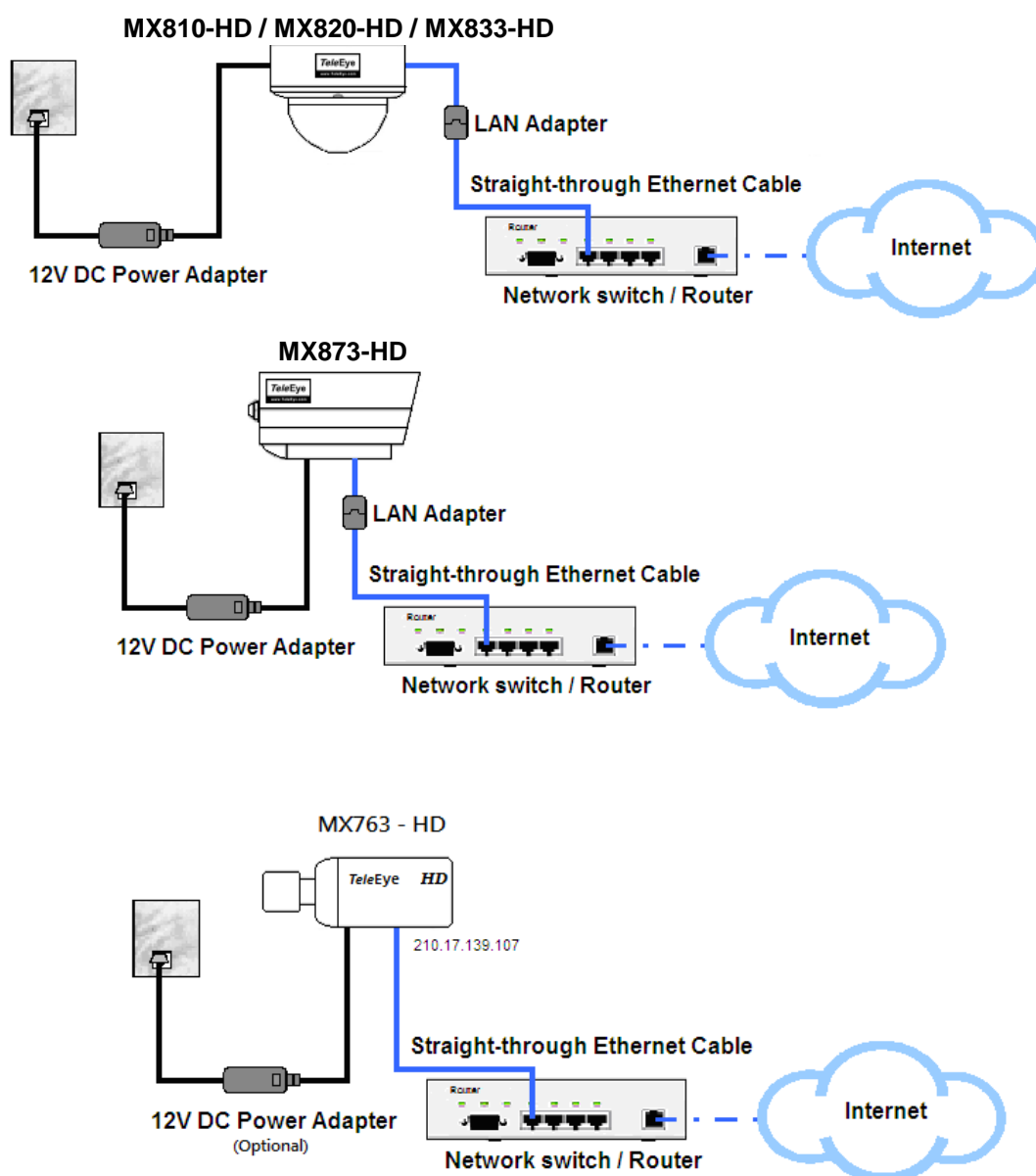
Step 9: After completing all the installation, sureSIGHT is ready on the start menu.

4. Network Configuration

In this chapter, it will guide you how to setup the target camera IP address.

4.1. Connect Camera to the Network

Before setting the IP address, please make sure the network connection is correct as following diagram:



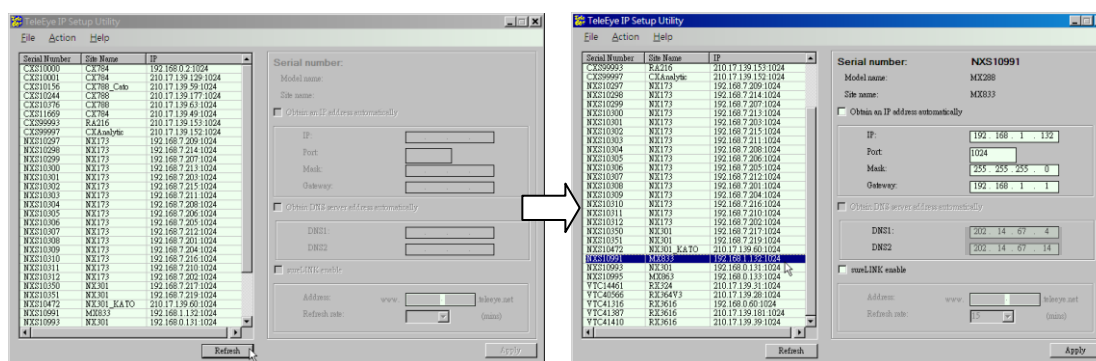
4.2. Change the IP address

Step 1: Before running the IP Setup Utility, turn on the IP camera and make sure the connection is correct.

Step 2: Select the “Run TeleEye IP setup utility” from the start menu.

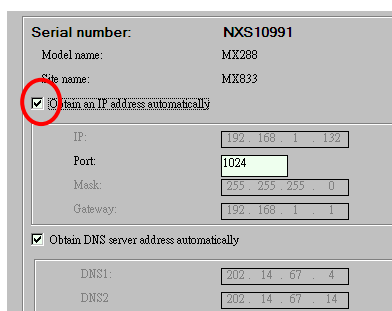


Step 3: By comparing the serial number, select the corresponding row from the list table on the left window. If the serial number cannot be found, click the [Refresh] button to try to find it again.



Step 4: There are two methods to assign the IP address for the camera:

Method 1: For automatically assigning the IP address, select the “Obtain an IP address automatically” to assign the IP address by the DHCP server. Using this method, user only chooses which port they want to use.



Method 2: For manually assigning the IP address, unselect the "Obtain an IP address automatically". And input the specified IP address, port, network mask address and default gateway address.

Serial number: NXS10991
 Model name: MX288
 Site name: MX833
 Obtain an IP address automatically
 IP: 192.168.1.128
 Port: 1024
 Mask: 255.255.255.0
 Gateway: 192.168.1.1
 Obtain DNS server address automatically
 DNS1: 202.14.67.4
 DNS2: 202.14.67.14

Step 5. If user wants to enable the dynamic IP connection, select the "sureLINK enable" to enable sureLINK and input the registered sureLINK address and the refresh rate. For example, if the registered sureLINK address is "www.rx.teleeye.teleeye.net" and the refresh rate is 15 minutes, please input them to the corresponding textbox as follows:

sureLINK enable
 Address: www. rx . teleeye | teleeye.net
 Refresh rate: 15 (mins)
 Apply

[Note] If user dose not know any sureLINK address, please go to

http://www.teleeye.com/softreg/customer/s_domainreg.jsp for sureLINK registration.

Step 6: Click the [Apply] button to apply all the settings. Then, the password dialogue box will be shown. Input the correct camera password and then click the [OK] button.

[Note] Default camera password is "000000".

TeleEye IP Setup Utility

Serial Number	Site Name	IP
CKS99993	RA216	210.17.139.153.1024
CKS99997	CKAnalytic	210.17.139.152.1024
NXS10297	NX173	192.168.7.209.1024
NXS10298	NX173	192.168.7.214.1024
NXS10299	NX173	192.168.7.207.1024
NXS10300	NX173	192.168.7.213.1024
NXS10301	NX173	192.168.7.203.1024
NXS10302	NX173	192.168.7.215.1024
NXS10303	NX173	192.168.7.211.1024
NXS10304	NX173	192.168.7.208.1024
NXS10305	NX173	192.168.7.206.1024
NXS10306	NX173	192.168.7.205.1024
NXS10307	NX173	192.168.7.212.1024
NXS10308	NX173	192.168.7.201.1024
NXS10309	NX173	192.168.7.204.1024
NXS10310	NX173	192.168.7.216.1024
NXS10311	NX173	192.168.7.210.1024
NXS10312	NX173	192.168.7.202.1024
NXS10350	NX301	192.168.7.217.1024
NXS10351	NX301	192.168.7.219.1024
NXS10472	NX301 KATO	210.17.139.80.1024
NXS10991	MX833	192.168.1.132.1024
NXS10993	NX301	192.168.0.131.1024
NXS10995	MX863	192.168.0.133.1024
YTC14461	RX324	210.17.139.31.1024
YTC10566	RX36493	210.17.139.28.1024
YTC41316	RX3616	192.168.0.60.1024
YTC41387	RX3616	210.17.139.181.1024
YTC41410	RX3616	210.17.139.39.1024

Serial number: NXS10991
 Model name: MX288
 Site name: MX833
 Obtain an IP address automatically
 IP: 192.168.1.128
 Port: 1024
 Mask: 255.255.255.0
 Gateway: 192.168.1.1
 Obtain DNS server address automatically
 DNS1: 202.14.67.4
 DNS2: 202.14.67.14

Address: www. rx . teleeye | teleeye.net
 Refresh rate: 15 (mins)

Apply

Password dialog box:
 Password: *****
 OK Cancel


5. Video Monitoring

In this chapter, it will guide you how to do the video monitoring in a few steps. For more detailed procedures or operations, please refer to the relevant documents.

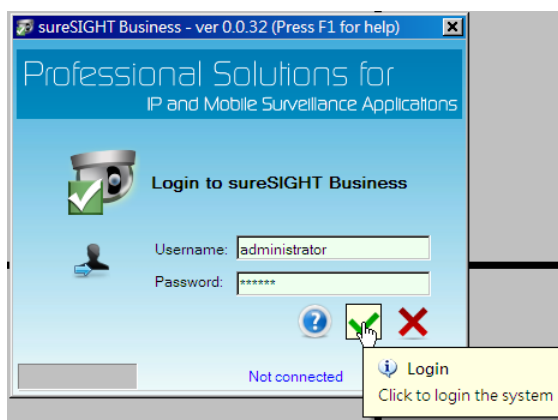
5.1. sureSIGHT

Step 1: Turn on the IP camera and make sure the connection is correct. Then select the "Run sureSIGHT Lite" from the start menu.

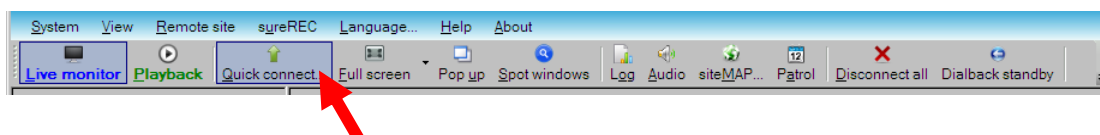


Step 2: Input the password in the password dialogue box, and then click the  button.

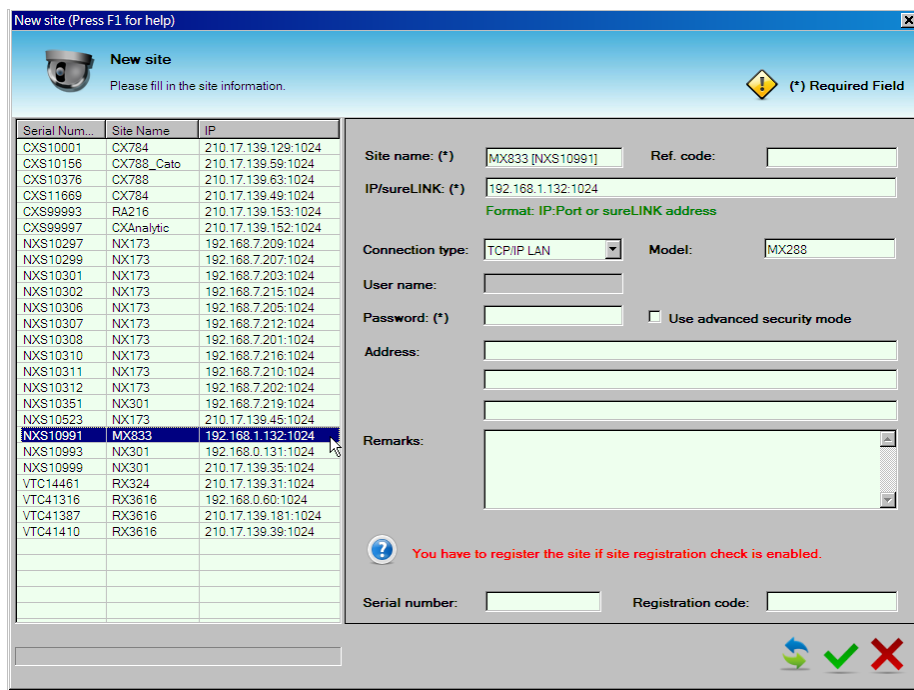
[Note] Default password for administrator is "000000".



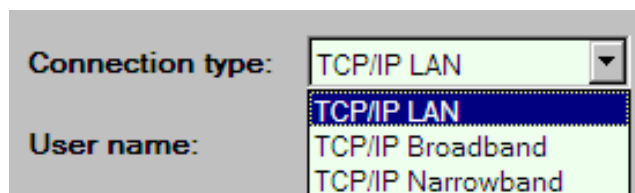
Step 3: Click the [Quick connect] button on the main toolbar to connect to the IP camera.



Step 4: Select the target camera by its serial number or site name from the list table on the left.



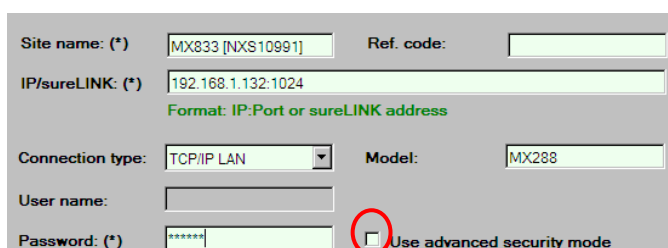
Step 5: After selecting the camera, choose the connection type from the list.
 [Notes] TCP/IP LAN is recommended.



Step 6: There are two security modes for user to make a connection:

Mode 1: For normal security mode, only password is required. Unselect the "Use advanced security mode". Then input the password in the "Password:(*)" field.


[Note] Default password is "000000".

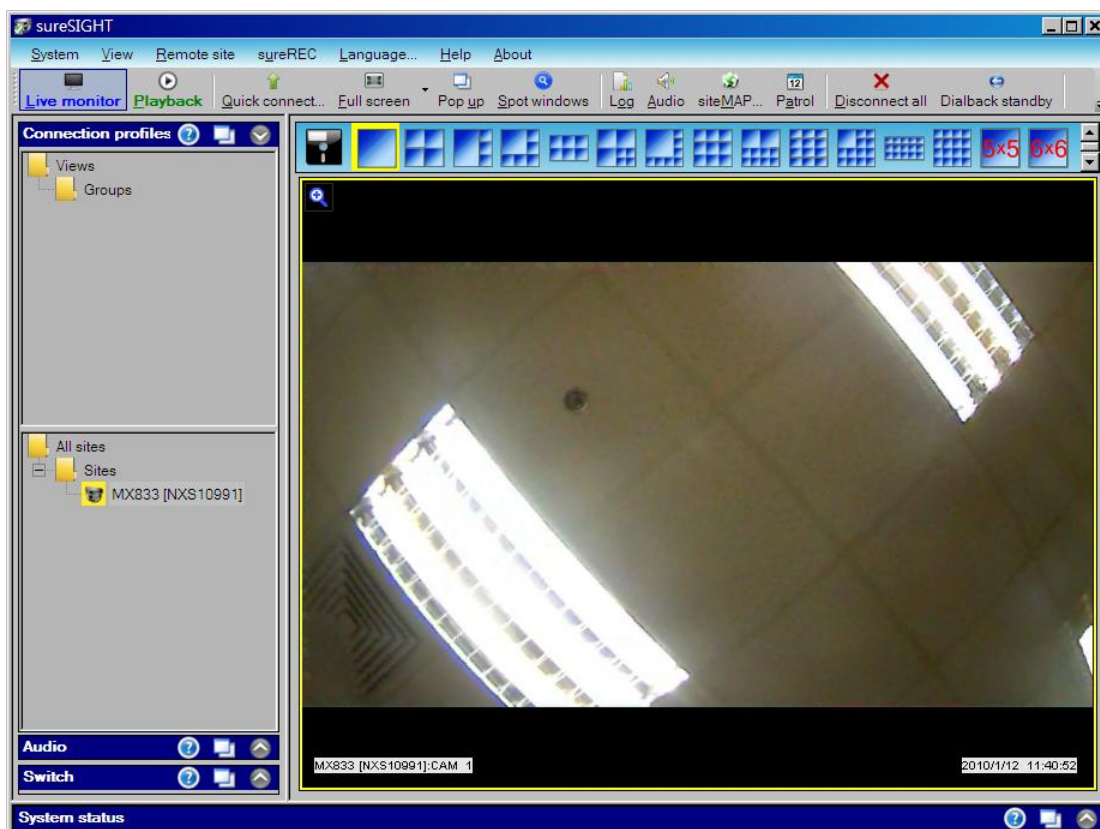


Mode 2: For advanced security mode, both password and user name are required. Select the "Use advanced security mode". Then input the user name and password in the corresponding textboxes.

The screenshot shows a configuration form with the following fields and values:

- Site name: (*) MX833 [NXS10991]
- Ref. code: [Empty]
- IP/sureLINK: (*) 192.168.1.132:1024
- Format: IP:Port or sureLINK address
- Connection type: TCP/IP LAN
- Model: MX288
- User name: administrator
- Password: (*) [Masked]
- Use advanced security mode

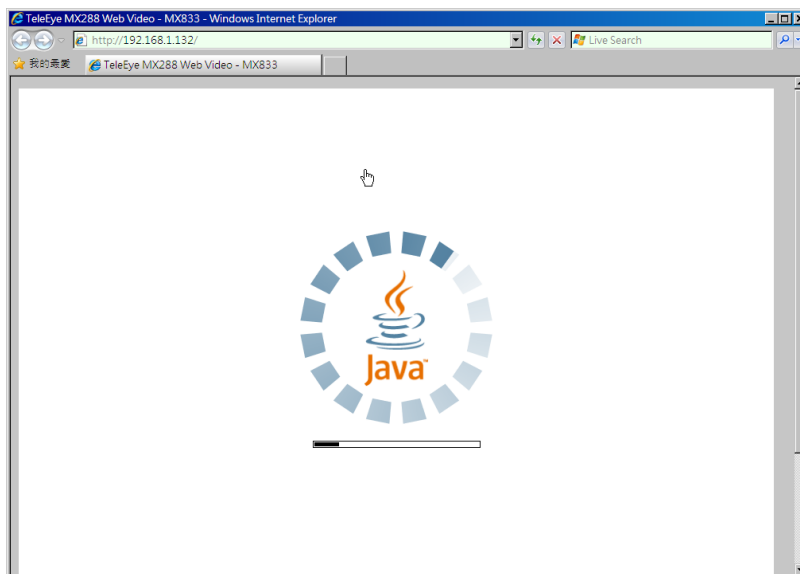
Step 7: Click the  button to confirm all the site information. And then the sureSIGHT will connect to the target camera.



[Reference] For more details of the operations, please refer to the sureSIGHT user manual.

5.2. Web Browser

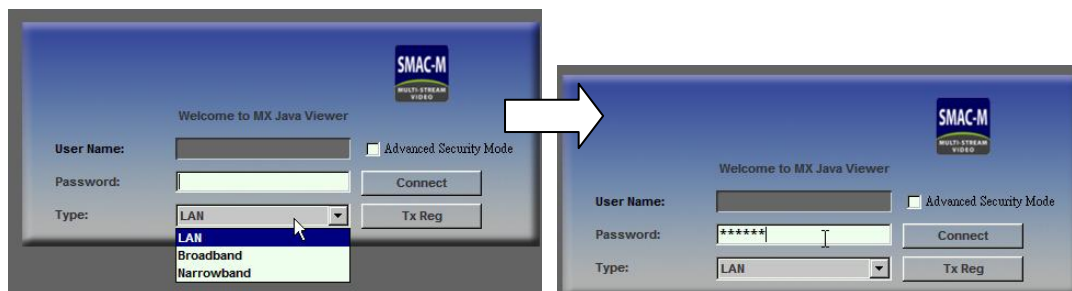
Step 1: Run a web browser such as Internet Explorer. Enter the IP address or the sureLINK address in the address bar.



[Note] Java Runtime Environment (JRE) is required for the web browser to run the application. If the PC does not have JRE, please go to the <http://www.java.com> to download the latest version.

Step 2: Select the connection type in the connection dialogue box. Then enter the password in the "Password:" field.

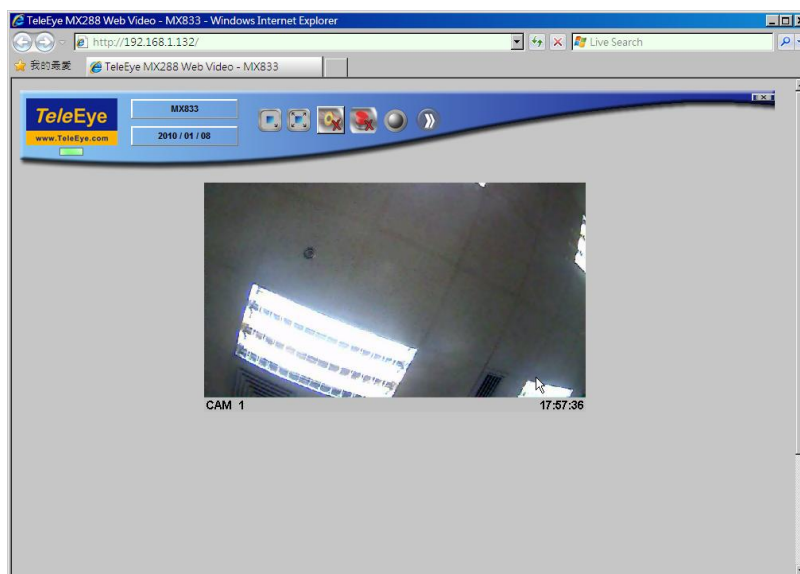
[Note] Default password is "000000" for normal security mode.











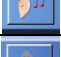




For normal security mode, only password is required, but for advanced security mode, both password and user name are required to be input.



Step 3: Click the **[Connect]** button to connect the video stream. And the video stream will be displayed on the browser as below:



There are several buttons on the top of the video screen. The function of each button is described as follows:

	In normal display mode, enlarge the video resolution.
	In normal display mode, shrink the video resolution.
	Change the video resolution to the full screen size. Press 'ESC' to return back to the normal display size.
	When an event is triggered, click on this button to mute the event alert sound.
	When an event is triggered, click on this button to clear the event.
	If an alarm is triggered, it will be turned on. Otherwise, it will be off.
	After clicking on this button, the following buttons will be shown.
	This button is for general setting.
	This button is for audio control.
	This button is for Pan-Tilt-Zoom control.
	This button is for checking the log files.
	This button is for advanced setting. (e.g. Video quality)
	This button is for controlling the switch. #

MX series does not support this feature

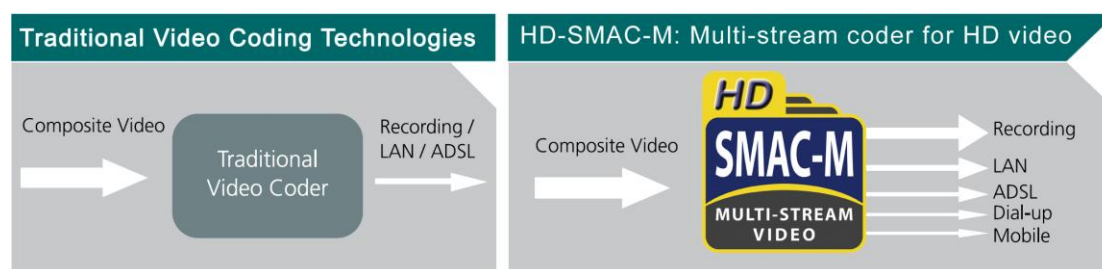
6. Appendix

6.1. Functional Features

HD SMAC-M – Revolutionary multi-stream coder for HD video

HD SMAC-M is the world's first multi-stream coder developed by TeleEye for HD video recording & transmission. It is specially designed for IP & mobile surveillance application. HD SMAC-M features an independent HD recording stream to facilitate undisturbed recording of HD video while viewing through Internet or mobile devices.

- Providing four independent video streams covering different bit rates
- Offering simultaneous video surveillance and high quality HD video recording functions
- Transmitting 80% faster than H.264 on ADSL
- Recording 29% longer than H.264



16:9 Aspect Ratio Providing Wider View

TeleEye MX Series records the HD video with the aspect ratio of 16:9. There is a significant advantage over conventional camera, which provides the 4:3 aspect ratio of video. The wide screen format of TeleEye MX provides 33% more viewing area than conventional cameras with much better clarity. Hence, it gives user a wider view, and greatly reduces the blind spot of surveillance system.

Superb Video Quality with Great Details

TeleEye MX Series HD CCTV provides ultra-high resolution video quality. Its resolution is greatly increased to over 800 TVL which exceeds conventional cameras that usually provide maximum resolution with 540 TVL.

High Definition Progressive Scan Video

TeleEye MX Series HD CCTV Cameras come with high definition Progressive Scanning Technology. Its image is scanned line by line, instead of using the interlaced scanning method to interlace two groups of lines. The images have less distortion and jaggedness especially for the fast image movement.

IP-based Video Surveillance Solution

TeleEye High Definition Video Surveillance system is an IP-based solution. With the features of IP-based transmission, i.e. packet switching, versatile media and digital transmission, the TeleEye HD CCTV system can utilize the network resources, immune to high noise and transmit video through different media, such as CAT5 cable, Wi-Fi or mobile network.

Total Solution for HD Video Surveillance

TeleEye MX is capable of HD live video recording and multi-site viewing by using TeleEye sureREC HD Video Recording Solution and sureSIGHT Integrated Video Management Solution. sureREC is specifically designed for recording the independent HD video stream of up to 64 MX cameras. sureSIGHT HD supports HD live video viewing from up to 64 TeleEye MX Series HD CCTV simultaneously. Its modular design allows customers to scale up easily and add functional modules to suit specific requirements.

Video Surveillance Everywhere

By using TeleEye M-monitoring Solution (M-303), users can view live video through mobile phone. The M-303 software supports HSPA, 3G, EDGE and GPRS network. Users can also receive the event alerts of remote sites through the mobile phone immediately.

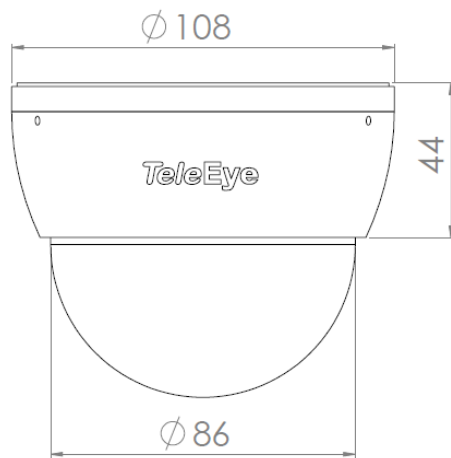
6.2. Specifications

MODEL	MX810-HD	MX820-HD / MX823-HD	MX833-HD
	High Definition Fixed Dome	Outdoor & Vandal Resistant Fixed Dome	IR Vandal Resistant Vari-focal Dome
	VIDEO		
IMAGE SENSOR	1/3.2", 2 megapixel CMOS Sensor		
RESOLUTION	1600x1200 pixels (UXGA)		
MINIMUM ILLUMINATION	0.5 Lux @ F1	0.0 Lux (~15m)	
LENS	f=3.6mm or 6mm fixed iris lens	f=2.7-9mm Vari-focal auto-iris lens	
VIEW ANGLE (HORIZONTAL)	41° / 64°	25° - 77°	
MECHANICAL REMOVABLE IR-CUT FILTER	No	Yes	
	CONNECTIVITY		
NETWORK INTERFACE	RJ-45, 10/100 Base-T Ethernet (Auto-Sensing)		
NETWORK PROTOCOL	HTTP, uPnP, DHCP		
DYNAMIC IP	sureLink, DDNS		
LIVE RESOLUTION	1600x900, 1280x720, 960x540, 640x360, 480x270, 320x180		
LIVE FRAME RATE	Up to 15 fps		
CONCURRENT USERS	6 (Independent)		
SECURITY	Multiple user access levels with password protection		
WEB SERVER	Built-in		
	VIDEO COMPRESSION		
COMPRESSION	HD SMAC-M multi-stream		
VIDEO STREAMING	4 simultaneous streams for recording, LAN, ADSL and mobile		
	RECORDING		
SOFTWARE	sureREC		
STREAM	Independent recording stream, independent resolution, frame rate with live monitoring		
MODE	Manual, Schedule Motion, Schedule Event		
RESOLUTION	1600x900, 1280x720, 960x540, 640x360, 320x180		
FRAME RATE	Up to 15 fps		
PLAYBACK	Forward, Backward, Pause, Step Forward, Step Backward, x10 Fast Forward, x100 Fast Forward		
	EVENT HANDLING		
EVENT	External Alarm, Video Motion Detection		
ACTION	E-mail, Dial Back, Alarm Image Recording		
EXTERNAL ALARM INPUT	1 x NC/NO		
	POWER		
POWER IN	DC 12V	DC 12V	DC 12V, PoE
MAXIMUM RATING	7.4W	7.4W	12W
	OPERATING ENVIRONMENT		
AMBIENT TEMPERATURE	0°C - 40°C		
RELATIVE HUMIDITY	<85% (no condensation)		
	MECHANICAL DESIGN		
WEATHER PROFF	IP66		
VANDAL RESISTANT	Yes	Yes	Yes
NET WEIGHT	0.45g	1kg	1kg

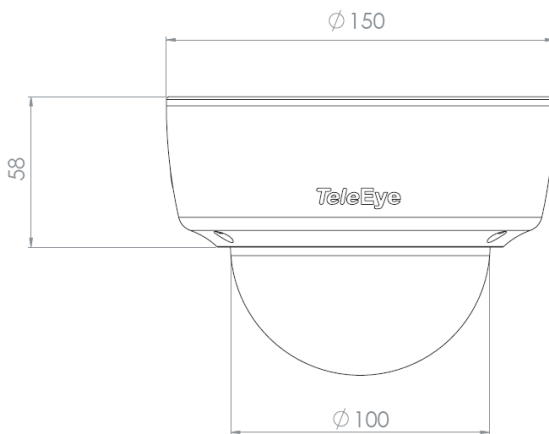
MODEL	MX873-HD	MX763-HD
	IR Vari-Focal	Day/Night Box Camera
	VIDEO	
IMAGE SENSOR	1/3.2", 2 megapixel CMOS Sensor	1/3", 1.3 megapixel CMOS Sensor
RESOLUTION	1600x1200 pixels (UXGA)	1280x720 pixels
MINIMUM ILLUMINATION	0.0 Lux (~15m)	0.1Lux
LENS	f=2.7-9mm Vari-focal auto-iris lens	Depends on Lens used (CS mount)
VIEW ANGLE (HORIZONTAL)	25° - 77°	
MECHANICAL REMOVABLE IR-CUT FILTER	Yes	
	CONNECTIVITY	
NETWORK INTERFACE	RJ-45, 10/100 Base-T Ethernet (Auto-Sensing)	
NETWORK PROTOCOL	HTTP, uPnP, DHCP	
DYNAMIC IP	sureLink, DDNS	
LIVE RESOLUTION	1600x900, 1280x720, 960x540 640x360, 480x270, 320x180	1280x720, 640x360, 320x180
LIVE FRAME RATE	Up to 15 fps	Up to 25 fps
CONCURRENT USERS	6 (Independent)	
SECURITY	Multiple user access levels with password protection	
WEB SERVER	Built-in	
	VIDEO COMPRESSION	
COMPRESSION	HD SMAC-M multi-stream	
VIDEO STREAMING	4 simultaneous streams for recording, LAN, ADSL and mobile	
	RECORDING	
SOFTWARE	sureREC	
STREAM	Independent recording stream, independent resolution, frame rate with live monitoring	
MODE	Manual, Schedule Motion, Schedule Event	
RESOLUTION	1600x900, 1280x720, 960x540 640x360, 320x180	1280x720, 640x360, 320x180
FRAME RATE	Up to 15 fps	Up to 25 fps
PLAYBACK	Forward, Backward, Pause Step Forward, Step Backward, x10 Fast Forward, x100 Fast Forward	
	EVENT HANDLING	
EVENT	External Alarm, Video Motion Detection	
ACTION	E-mail, Dial Back, Alarm Image Recording	E-mail, Dial Back, Relay Switch
EXTERNAL ALARM INPUT	1 x NC/NO	
	POWER	
POWER IN	DC 12V	DC 12V, PoE
MAXIMUM RATING	12W	12W
	OPERATING ENVIRONMENT	
AMBIENT TEMPERATURE	0°C - 40°C	
RELATIVE HUMIDITY	<85% (no condensation)	
	MECHANICAL DESIGN	
WEATHER PROFF	IP66	No
VANDAL RESISTANT	Yes	No
NET WEIGHT	1.2kg	0.6kg

6.3. Dimension

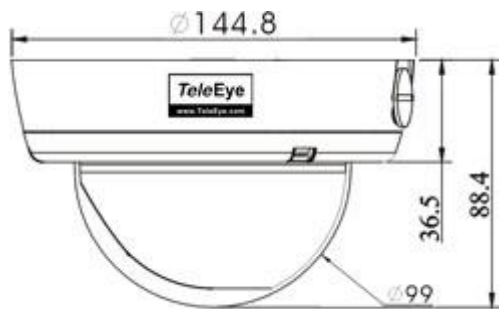
6.3.1.MX810-HD



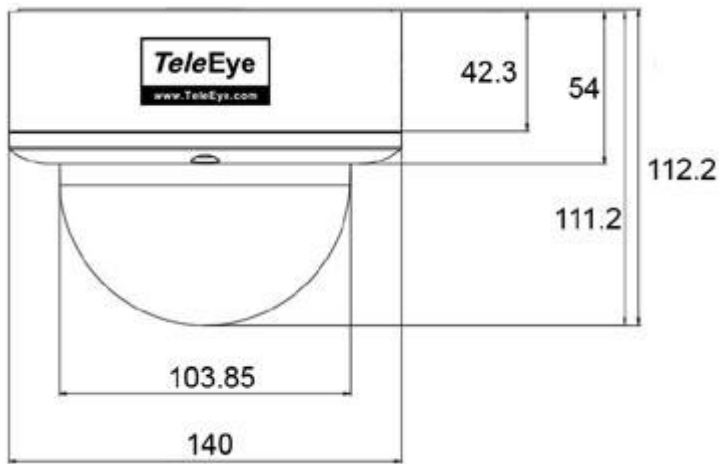
6.3.2.MX820-HD



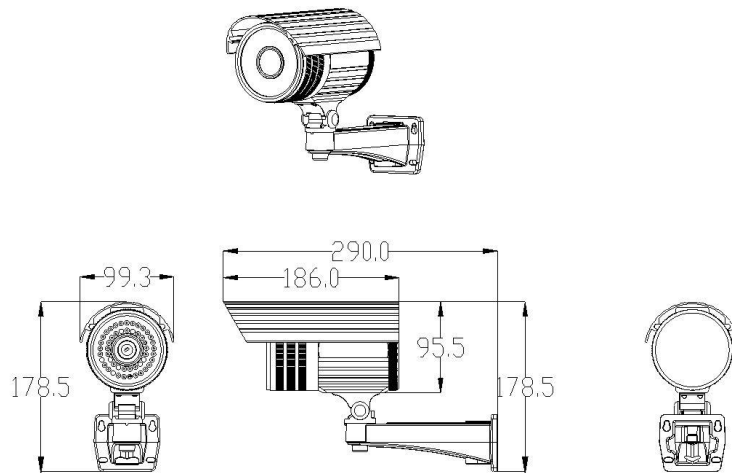
6.3.3. MX823-HD



6.3.4.MX833-HD



6.3.5.MX873-HD



6.3.6.MX763-HD

