

Operating Instruction Manual

for“CH-LLDXXX-AC/220-G-S-III-C-F02”

—Thanks for using our products.

— Read the Operation Manual carefully before using the product.

1. Summary

1.1 Product Features:

- ◆High power LED Flood Light
- ◆Energy-saving、
- ◆Green & eco-friendly
- ◆Long life-span

1.2 Applications:

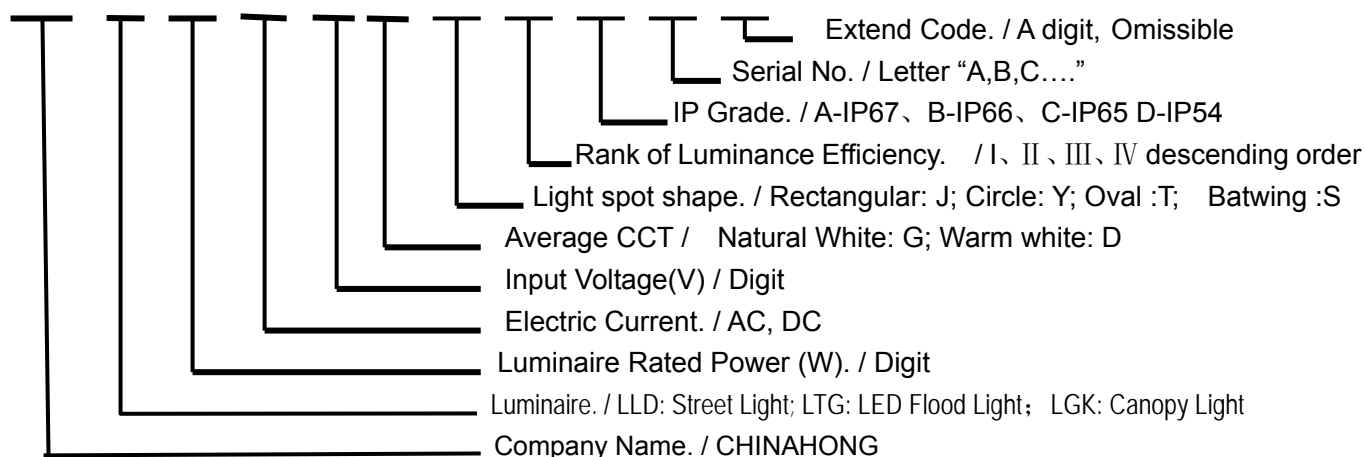
◆High Mast, Flood Light, Billboard, Architecture, Tunnel, Roads, Plazas, Outdoor Leisure Places, Parks, Schools, and courtyard

1.3 Operation Temp.:

- ◆-30℃~50℃

1.4 Model No. Formulation:

CH - X X - X / X- X- X- X - X - X X



1.5 Certificates:

- ◆UL Approved No. E343102
- ◆CE Approved No. ATE20102095
- ◆ISO9001 Cert No.: 04110O20110ROS
- ◆ISO14001 Cert No.: 04110E20037ROS

1.6 Standards:

- ◆CIE140:2000 Road Lighting Calculations
- ◆CIE121:1996 Photometry and Goniophotometry of Luminaires
- ◆IEC 60598-2-3:2002 Particular Requirement Luminaires for Road and Street Lighting
- ◆IEC 60598-1:2003 General Requirement and Tests

2. Product Structure Characteristics:

Waterproof, heat shunt Structure, which ensures LED Module works under a safe and reliable environment, further more, this helps to reduce light degradation and improve LED Lifespan.The structure also features a reflector of light distribution principle, improvement of light distribution, extending of lighting

scope and better visual effect.

3. Technical Data Sheet

3.1 Parameters:

S/N	Specifications		
1	Power Supply	Input Volt/Frequency	220V / 50/60HZ
		Rated Power	□180W □200W
		Conversion Efficiency	90%
		Power Factor	0.92
2	CCT	2700-6500K	
3	Luminou Flux	□ 180W	> 12600LM
		□ 200W	> 14000LM
4	Operating Temp.	-30~50℃	
5	Anti-wind Capability	≥188 km/h	
6	IP Grade	IP65	
7	Bolts Torque	< 46 Nm	
8	Overall dimension	886*428*260 mm	
9	Net Weight	20KGS	

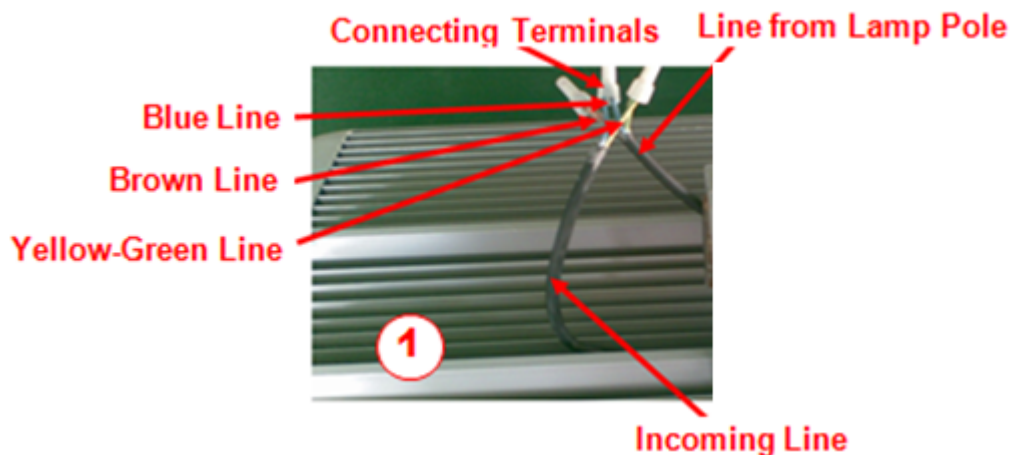
3.2 Declaration of Product Performance:

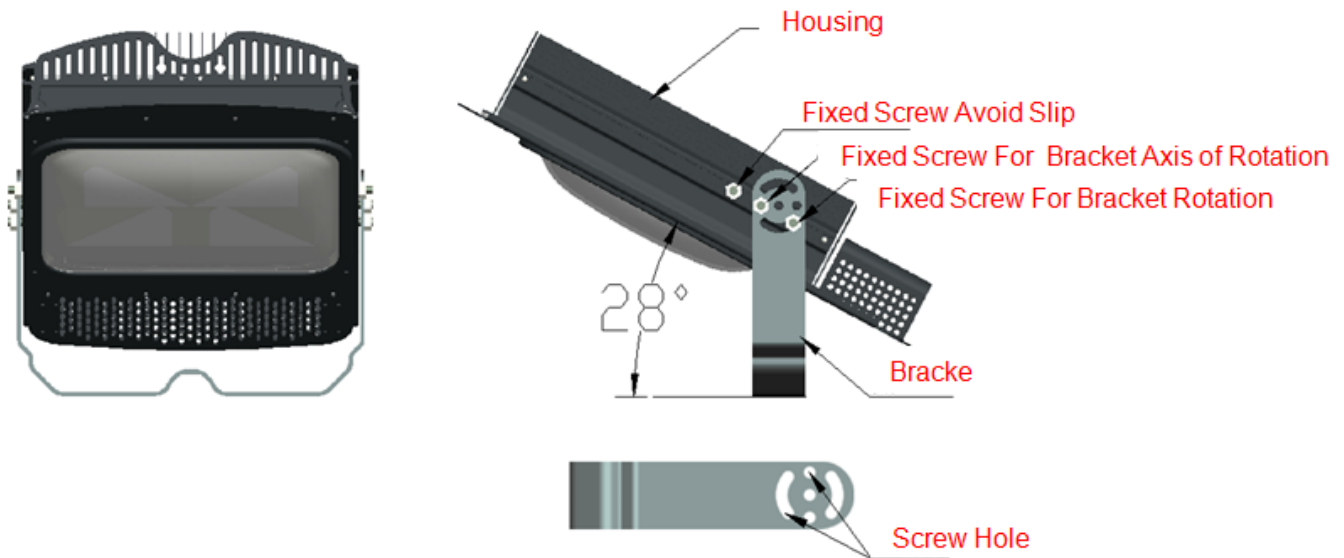
Optical radiation of this luminaire conforms to the requirements by the EXAMPT GROUP OF “IEC62471-2006”.

4. Installation

4.1 For LED Street Light with Built-in power supply

- ① Loosen Screws and Open the “Connecting Line Cavity”,
- ② The Brown Line Connected to Live Line of the Power Grid and Tighten with Wire Connecting Terminal;
The Blue Line Connected to Null Line of the Power Grid and Tighten with Wire Connecting Terminal;
The Yellow-Green Line Connected to Earth Wire of the Power Grid and Tighten with Wire Connecting Terminal;
Finally Close the “Connecting Line Cavity” and Tighten the Screws.
- ③ Adjust the tilt of flood light to get best lighting effect, tighten the Screws and Locked Kits.





5. Transportation & Storage:

- 5.1 During transportation, severe mechanical impact, solarization & drench should be avoided, the luminaire could not be placed upside down, strongly against throwing, rolling and hard press.
- 5.2 Storage warehouse should be dry, clean and draughty, No corrosive medium, ambient temperature should be around 0-40°C, keep away from fire and heat source.

6. Open Package and Inspection:

Before you open the package, check if there's any damage of the carton. After opening the carton, please check the enclosed technical data sheet such as User Manual etc. and confirm all the accessories are safe and sound.

7. The dos and don'ts:

- 7.1 Read the Instruction carefully before using the product.
- 7.2 Before installation, make sure the luminaire and all accessory are perfect, no damage.
- 7.3 Before installation, must switch off the power grid, live line work is strictly prohibited.
- 7.4 Handle with care & Make sure Wiring is correct.
- 7.5 To assure LED Module lifespan, please do not change the power supply by yourself.
- 7.6 To assure safety of power supply and better effect of lighting protection, earth wire of Power supply and Power grid are well connected. In case of no power grid earth wire, the power supply earth wire should be connected with the lamp post.
- 7.7 This is maintenance free product, in case of maintenance is need, please contact us.
- 7.8 After installation, please confirm the luminaire was fixed firmly to the lamp post.