

Serial No.	H-V030-E-12
------------	-------------

Butterfly Valves

Type 56 [Nominal Size: 400mm (16")
Body Material: PP, PVDF

Type 75 [Nominal Size: 450-600mm (18"-24")
Body Material: PP, PVDF

Type 56D [Nominal Size: 400mm (16")
Body Material: PDCPD

Type 75D [Nominal Size: 450-600mm (18"-24")
Body Material: PDCPD

User's Manual





Contents



(1) Be sure to read the following warranty clauses of our product	1
(2) General operating instructions	2
(3) General instructions for transportation, unpacking and storage	3
(4) Name of parts	4
(5) Working pressure vs. temperature	11
(6) Specification of limit switch	12
(7) Installation procedure	12
(8) Connection of limit switch procedure	14
(9) Operating procedure	15
(10) Disassembly and assembly procedure for parts replacement	16
(11) Adjustment procedure for stopper	17
(12) Inspection items	18
(13) Troubleshooting	18
(14) Handling of residual and waste materials	18

This user's guide contains very important information for the proper installation, maintenance and safe use of an ASAHI AV Product. Please store this manual in an easily accessible location.

<Warning & Caution Signs>

 Warning	<p>This symbol reminds the user to take caution due to the potential for serious injury or death..</p>
 Caution	<p>This symbol reminds the user to take caution due to the potential for damage to the valve if used in such a manner.</p>

<Prohibited & Mandatory Action Signs>

	<p>Prohibited: When operating the valve, this symbol indicates an action that should not be taken.</p>
	<p>Mandatory action: When operating the valve, this symbol indicates mandatory actions that must be adhered to.</p>

(1) Be sure to read the following warranty clauses of our product

- Always observe the specifications of and the precautions and instructions on using our product.
- We always strive to improve product quality and reliability, but cannot guarantee perfection. Therefore, should you intend to use this product with any equipment or machinery that may pose the risk of serious or even fatal injury, or property damage, ensure an appropriate safety design or take other measures with sufficient consideration given to possible problems. We shall assume no responsibility for any inconvenience stemming from any action on your part without our written consent in the form of specifications or other documented approval.
- The related technical documents, operation manuals, and other documentation prescribe precautions on selecting, constructing, installing, operating, maintaining, and servicing our products. For details, consult with our nearest distributor or agent.
- Our product warranty extends for one and a half years after the product is shipped from our factory or one year after the product is installed, whichever comes first. Any product abnormality that occurs during the warranty period or which is reported to us will be investigated immediately to identify its cause. Should our product be deemed defective, we shall assume the responsibility to repair or replace it free of charge.
- Any repair or replacement needed after the warranty period ends shall be charged to the customer.
- The warranty does not cover the following cases:
 - (1) Using our product under any condition not covered by our defined scope of warranty.
 - (2) Failure to observe our defined precautions or instructions regarding the construction, installation, handling, maintenance, or servicing of our product.
 - (3) Any inconvenience caused by any product other than ours.
 - (4) Remodeling or otherwise modifying our product by anyone other than us.
 - (5) Using any part of our product for anything other than the intended use of the product.
 - (6) Any abnormality that occurs due to a natural disaster, accident, or other incident not stemming from something inside our product.

(2) General Operating Instructions



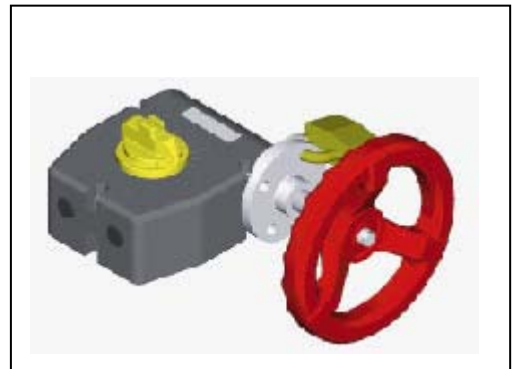
Warning

- Using a positive-pressure gas with our plastic piping may pose a dangerous condition due to the repellent force particular to compressible fluids even when the gas is under similar pressures used for liquids. Therefore, be sure to take the necessary safety precautions such as covering the piping with protective material. For inquiries, please contact us. For conducting a leak test on newly installed piping, be sure to check for leaks under water pressure. If absolutely necessary to use a gas in testing, please consult your nearest service station beforehand.



Caution

- Do not step on or apply excessive weight on valve. (It can be damaged.)
- Do not use the valve in conditions where the fluid may have crystallized. (The valve will not operate properly.)
- Keep the valve away from excessive heat or fire. (It can be damaged, or destroyed.)
- Always operate the valve within the pressure vs. temperature range. (The valve can be damaged or deformed by operating beyond the allowable range.)
- Allow sufficient space for maintenance and inspection.
- Select a valve material that is compatible with the media. For chemical resistance information, refer to "CHEMICAL RESISTANCE ON ASAHI AV VALVE". (Some chemicals may damage incompatible valve materials.)
- Keep the valve out of direct sunlight, water and dust. Use cover to shield the valve. (The valve will not operate properly.)
- Perform periodic maintenance. (Leakage may develop due to temperature changes or periods of prolonged storage, rest, or operation.)
- Gear Operator Operation; we utilize a self-locking worm gear design on our manual operators. This design allows flow control of the valve in intermediate positions in normal process conditions. In applications where very high velocity, turbulence flow or vibration is present and an intermediate setting is required, it is recommended to install a locking device. The locking device will prevent the possibility of the valve drifting in severe condition from its original intermediate setting.



(3) General Instructions for Transportation, Unpacking and Storage



Warning

- When suspending and supporting a valve, take care and do not stand under a suspended valve.



Caution

- This valve is not designed to handle impacts of any kind. Avoid throwing or dropping the valve.

- Avoid scratching the valve with any sharp object.

- Do not over-stack cardboard shipping boxes. Excessively stacked packages may collapse.

- Avoid contact with any coal tar creosote, insecticides, vermicides or paint.

(These chemicals may cause damage to the valve.)

- When transporting a valve, do not carry it by the handle.



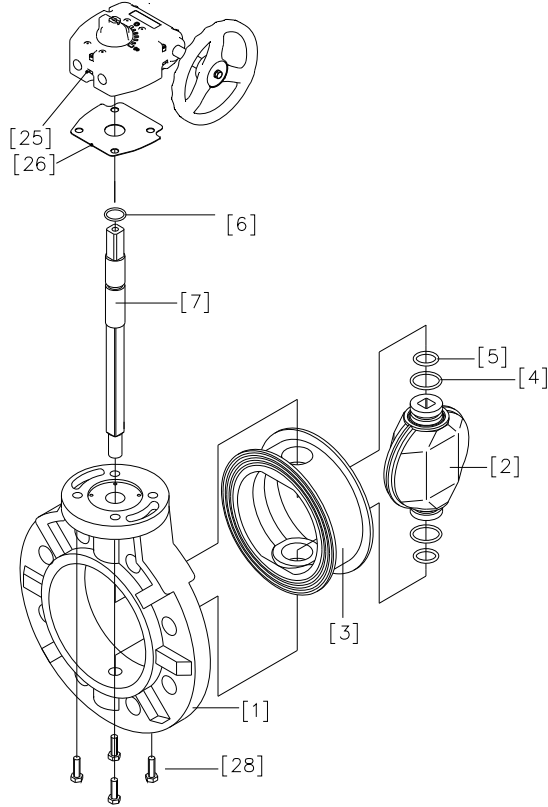
- Store products in their corrugated cardboard boxes. Avoid exposing products to direct sunlight, and store them indoors (at room temperature). Also avoid storing products in areas with excessive temperatures. (Corrugated cardboard packages become weaker as they become wet with water or other liquid. Take care in storage and handling.)

- After unpacking the products, check that they are defect-free and meet the specifications.

(4) Name of parts

Type 56 [Gear Type (Type 3)]: 400mm (16")

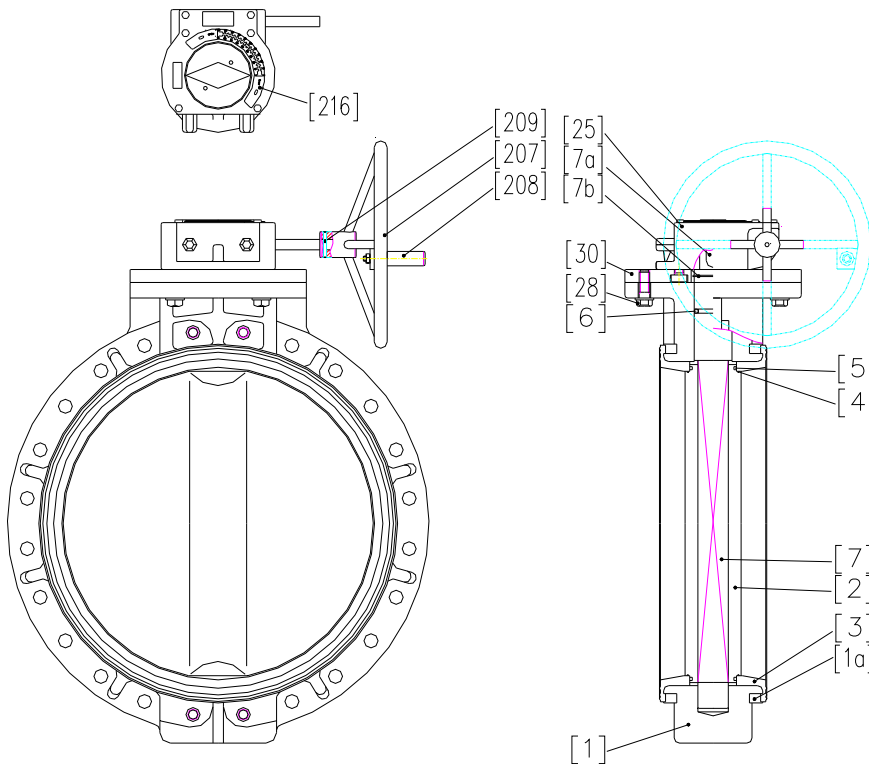
Body Material: PP, PVDF



No.	DESCRIPTION
[1]	Body
[2]	Disc
[3]	Seat
[4]	O-Ring (A)
[5]	O-Ring (B)
[6]	O-Ring (C)
[7]	Stem
[25]	Gear Box
[26]	Gasket (A)
[28]	Bolt (C)

Type 75 [Gear Type (AB1250N)]: 450-600mm (18"-24")

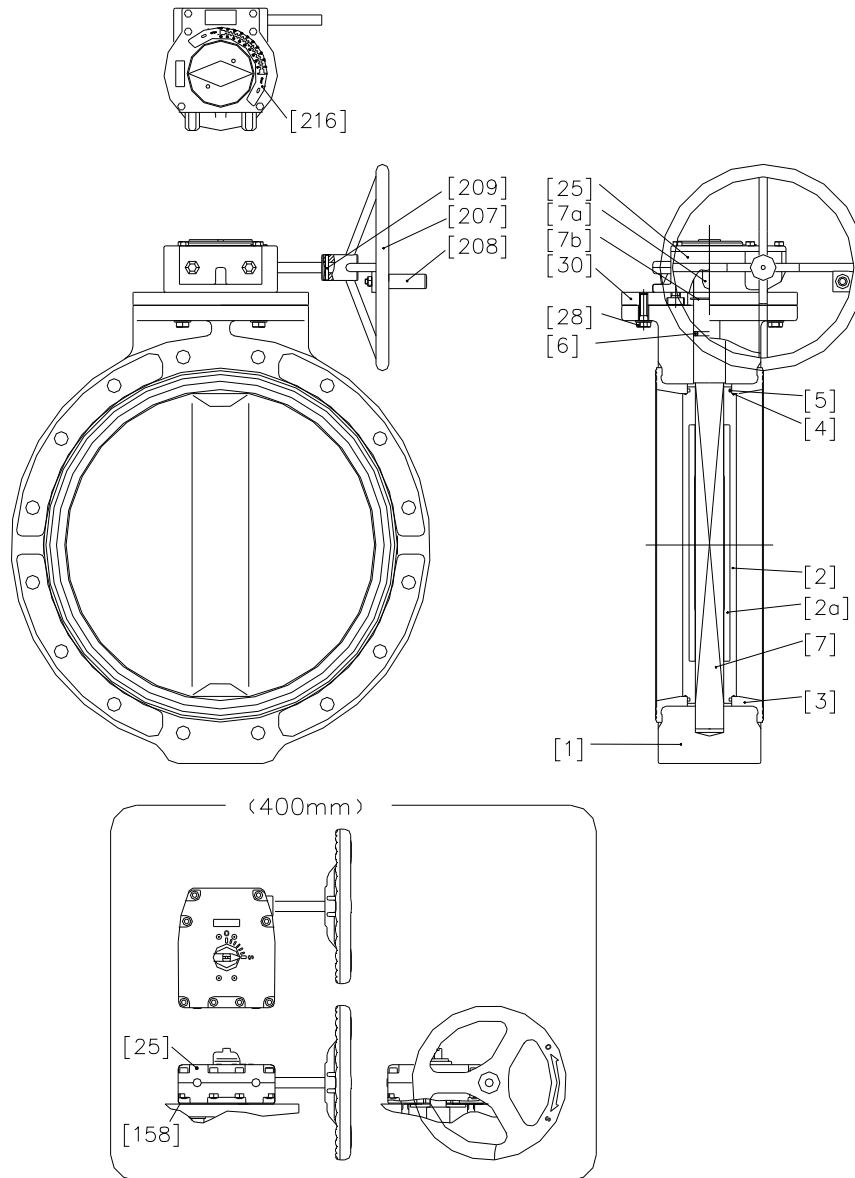
Body Material: PP, PVDF



No.	DESCRIPTION
[1]	Body
[1a]	Ring
[2]	Disc
[3]	Seat
[4]	O-Ring (A)
[5]	O-Ring (B)
[6]	O-Ring (C)
[7]	Stem
[7a]	Key (A)
[7b]	Snap Ring
[25]	Gear Box
[28]	Bolt (C)
[30]	Stand
[207]	Handle(C)
[208]	Handle Grip
[209]	Spring Pin
[216]	Scale Plate

Type 56D, 75D [Gear Type (Type 3/AB1250N)]: 400-600mm (16"-24")

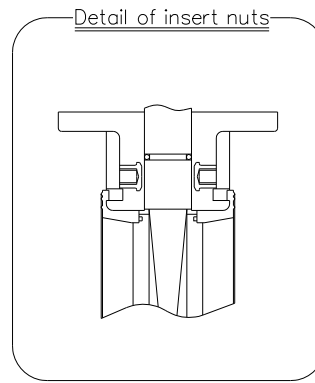
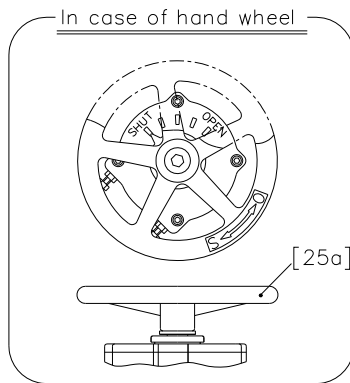
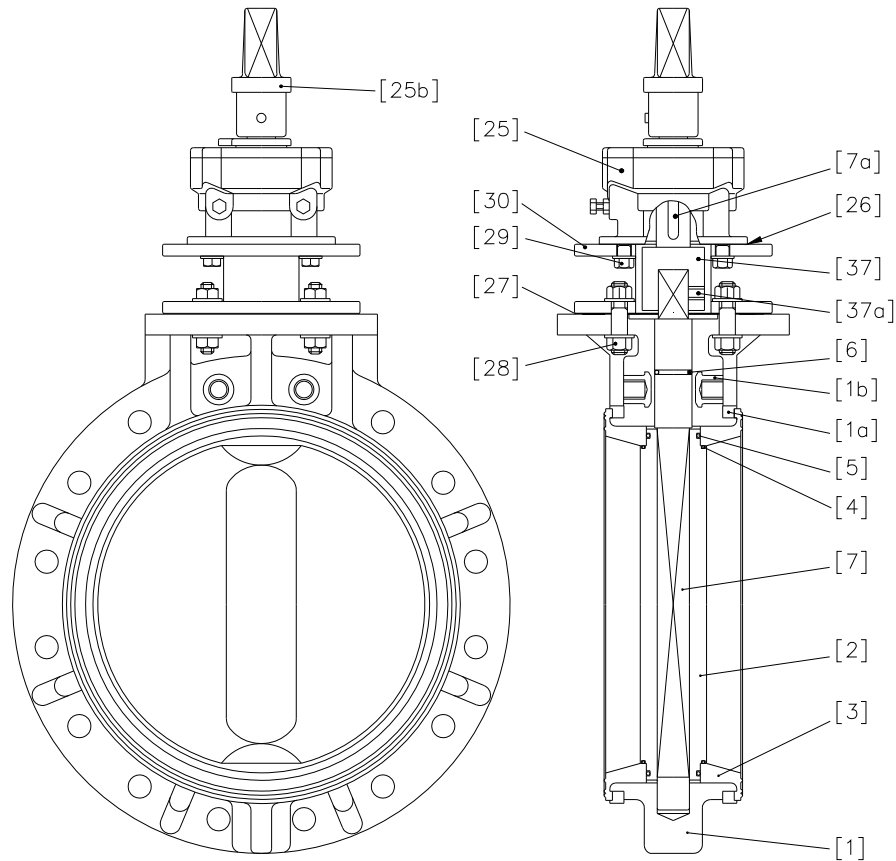
Body Material: PDCPD



No.	DESCRIPTION	No.	DESCRIPTION
[1]	Body	[7b]	Snap Ring
[2]	Disc	[25]	Gear Box
[2a]	Disc Insert	[26]	Gasket (A)
[3]	Seat	[28]	Bolt (C)
[4]	O-Ring (A)	[30]	Stand
[5]	O-Ring (B)	[207]	Handle(C)
[6]	O-Ring (C)	[208]	Handle Grip
[7]	Stem	[209]	Spring Pin
[7a]	Key (A)	[216]	Scale Plate

Type 56 (Top Gear Type (RVA-03-UG)): 400mm (16")

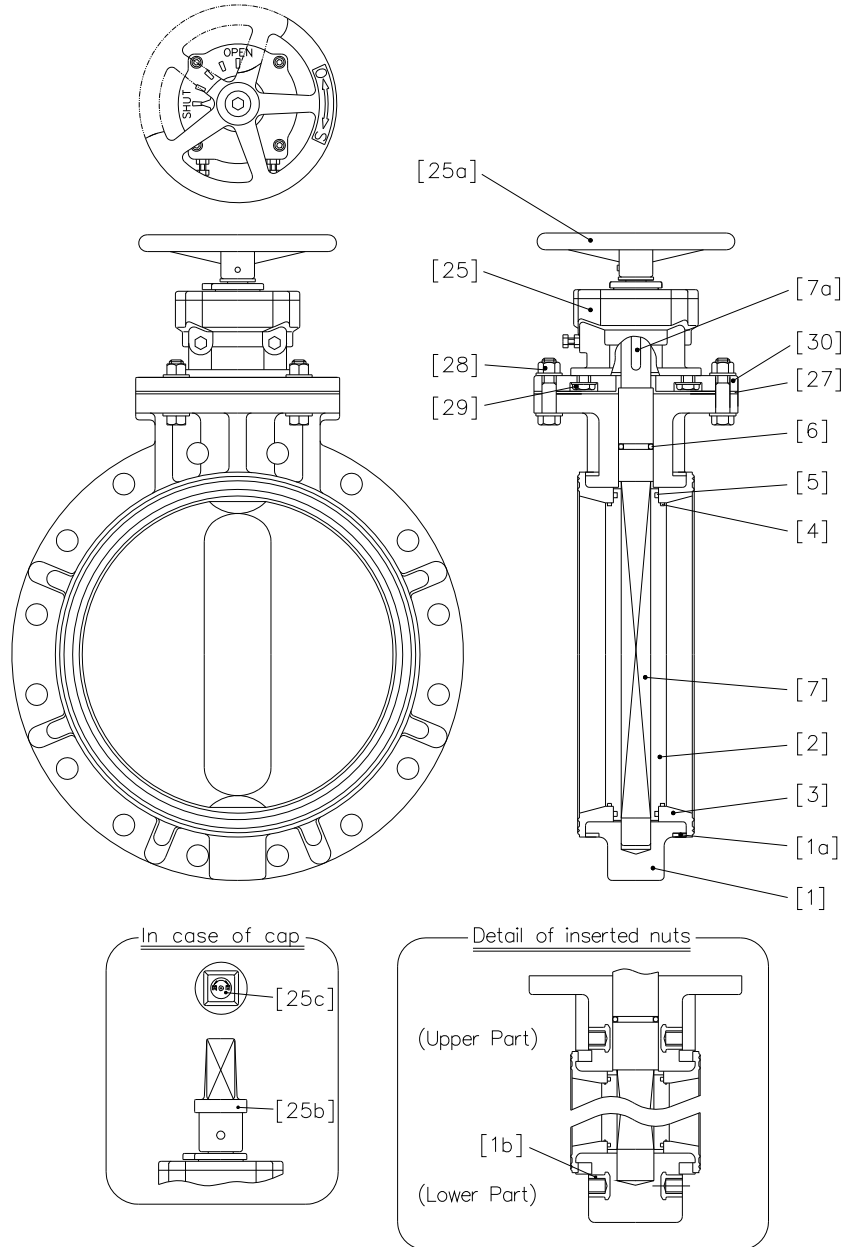
Body Material: PP, PVDF



No.	DESCRIPTION	No.	DESCRIPTION
[1]	Body	[25]	Gear Box
[1a]	Ring	[25a]	Handle Wheel (A)
[1b]	Insert Metal of Body	[25b]	Cap (B)
[2]	Disc	[26]	Gasket (A)
[3]	Seat	[27]	Gasket (B)
[4]	O-Ring (A)	[28]	Bolt & Nut (G)
[5]	O-Ring (B)	[29]	Bolt (D)
[6]	O-Ring (C)	[30]	Stand
[7]	Stem	[37]	Joint (A)
[7a]	Key (A)	[37a]	Screw (C)

Type 75D [Top Gear Type (RVA-04-UG)]: 450-600mm (18"-24")

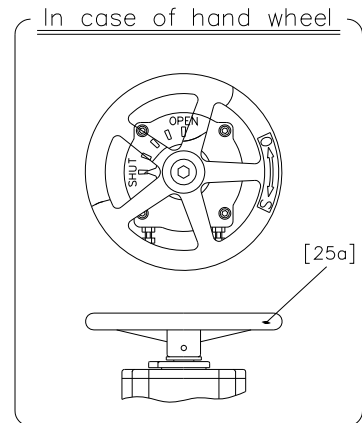
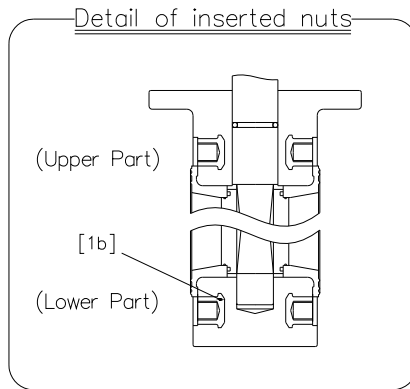
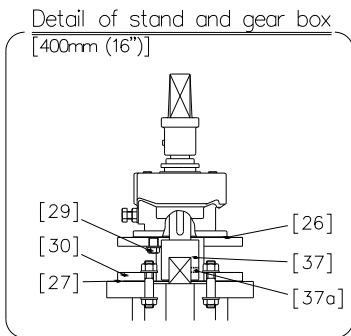
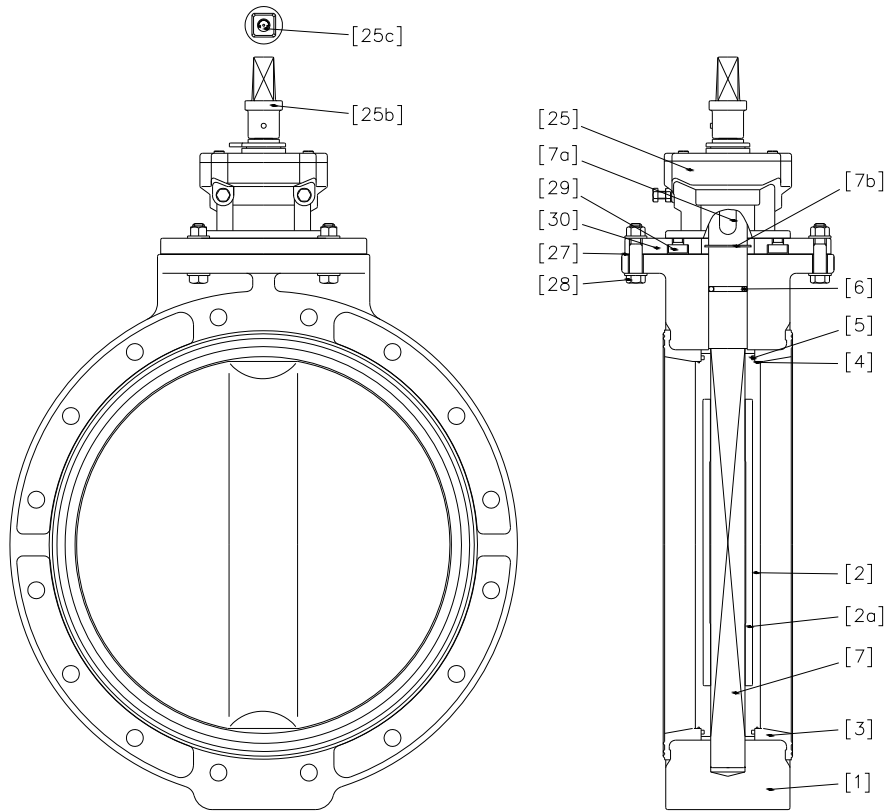
Body Material: PP, PVDF



No.	DESCRIPTION	No.	DESCRIPTION
[1]	Body	[7a]	Key (A)
[1a]	Ring	[25]	Gear Box
[1b]	Insert Metal of Body	[25a]	Handle Wheel (A)
[2]	Disc	[25b]	Cap (B)
[3]	Seat	[25c]	Indicator Board
[4]	O-Ring (A)	[27]	Gasket (B)
[5]	O-Ring (B)	[28]	Bolt & Nut (G)
[6]	O-Ring (C)	[29]	Bolt (D)
[7]	Stem	[30]	Stand

Type 56D, 75D [Top Gear Type (RVA-03-UG/ RVA-04-UG)]: 400-600mm (16"-24")

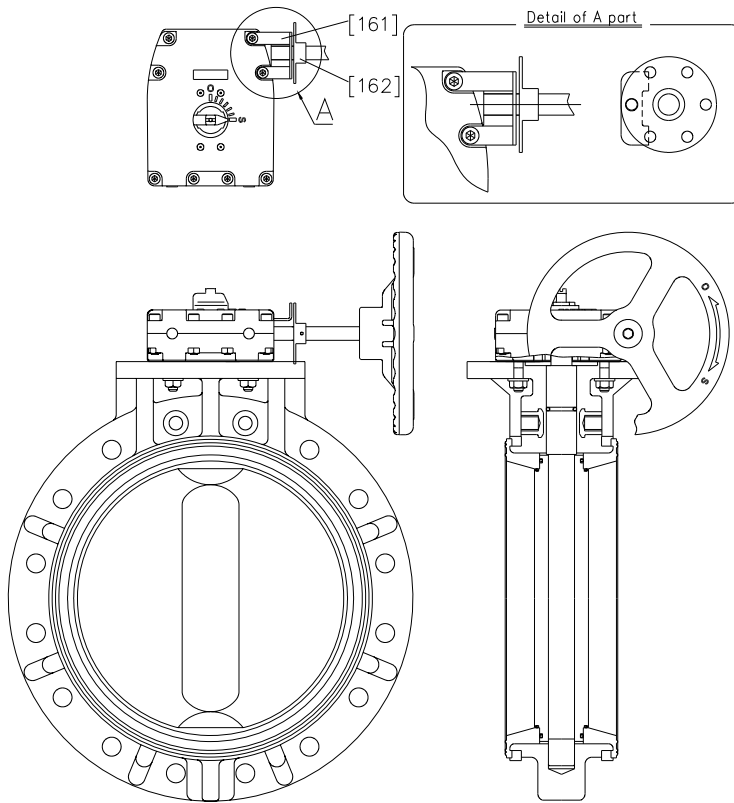
Body Material: PDCPD



No.	DESCRIPTION	No.	DESCRIPTION
[1]	Body	[25]	Gear Box
[1b]	Insert Metal of Body	[25a]	Handle Wheel (A)
[2]	Disc	[25b]	Cap (B)
[2a]	Insert Metal of Disc	[25c]	Indicator Board
[3]	Seat	[27]	Gasket (B)
[4]	O-Ring (A)	[28]	Bolt & Nut (G)
[5]	O-Ring (B)	[29]	Bolt (D)
[6]	O-Ring (C)	[30]	Stand
[7]	Stem	[37]	Joint
[7a]	Key (A)	[37a]	Screw (C)
[7b]	Snap Ring		

Type 56, 56D [Gear Type (Type 3)]: 400mm (16") with Handle Lock (Option)

Body Material: PP, PVDF, PDCPD*



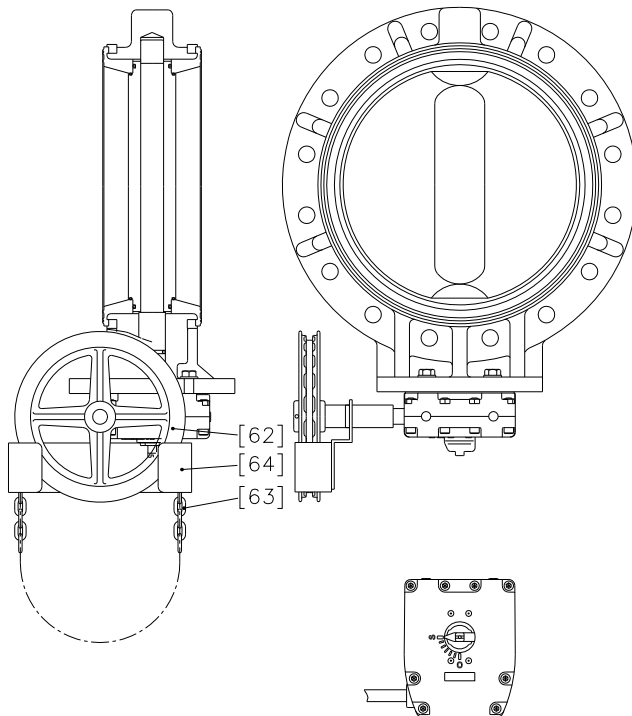
No.	DESCRIPTION
[161]	Lock Plate (A)
[162]	Lock Plate (B)

*Reference figure

Type 56, 56D [Chain Type (Type 3)]: 400mm (16") (Option)

Type 75, 75D [Chain Type (AB1250N)]: 450-600mm (18"-24") (Option)

Body Material: PP, PVDF, PDCPD*



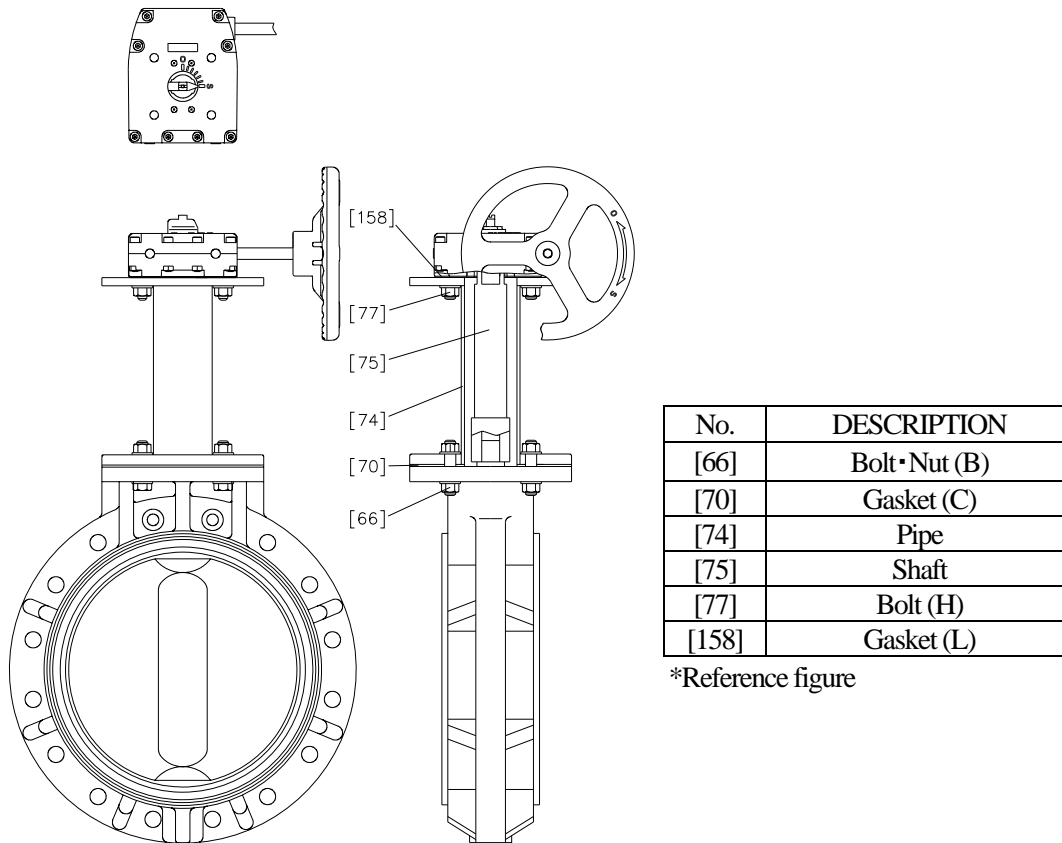
No.	DESCRIPTION
[62]	Sprocket Wheel
[63]	Chain (A)
[64]	Chain Cover

*Reference figure

Type 56, 56D [Long Stem Type (Type 3)]: 400mm (16'') (Option)

Type 75, 75D [Long Stem Type (AB1250N)]: 450-600mm (18''-24'') (Option)

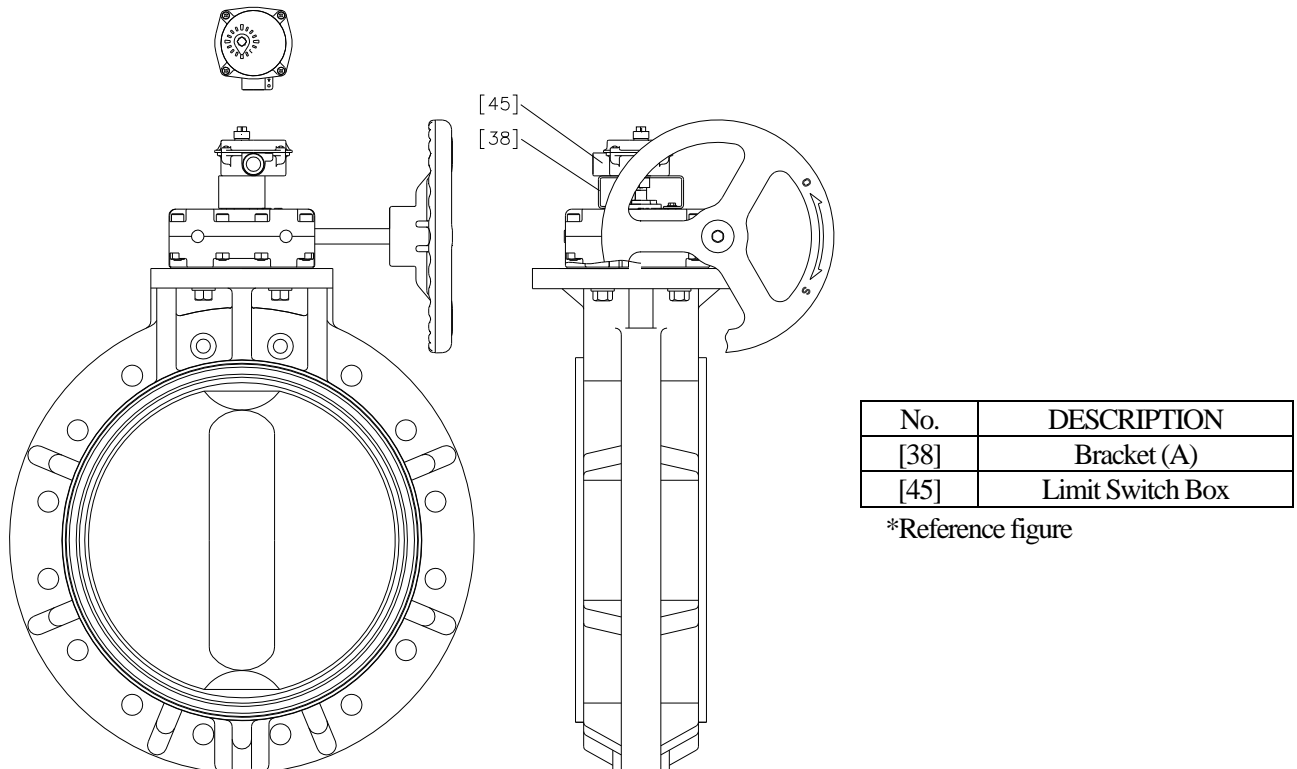
Body Material: PP, PVDF, PDCPD*



*Reference figure

Type 56, 56D [Gear Type (TYPE 3)]: 400mm (16'') with Limit Switch Box (TA-200-SB2) (Option)

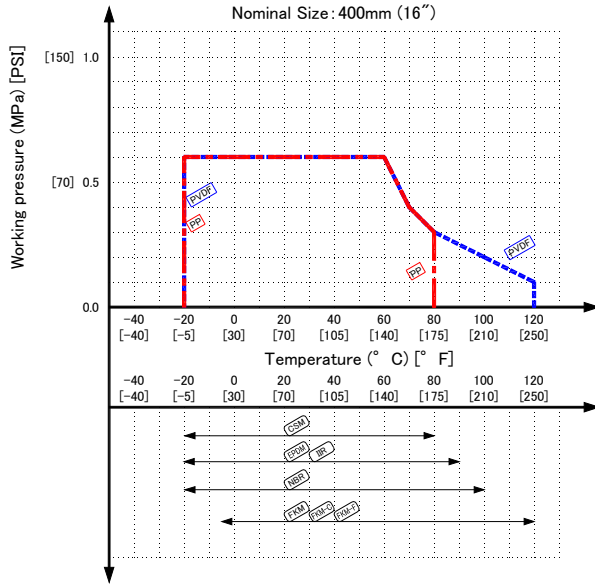
Body Material: PP, PVDF, PDCPD*



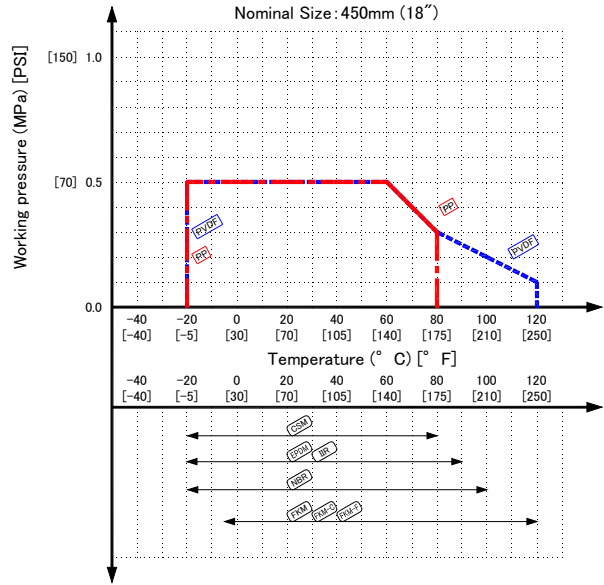
*Reference figure

(5) Working pressure vs. temperature

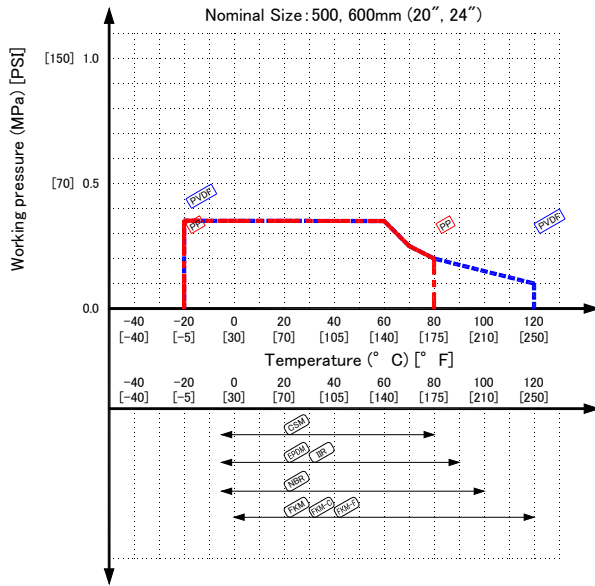
BUTTERFLY VALVE TYPE56



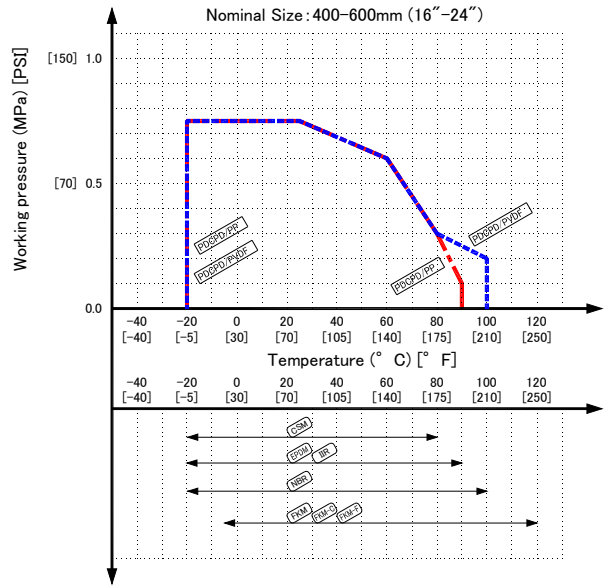
BUTTERFLY VALVE TYPE75



BUTTERFLY VALVE TYPE75



BUTTERFLY VALVE TYPE56D,75D



(6) Specification of limit switch (option)

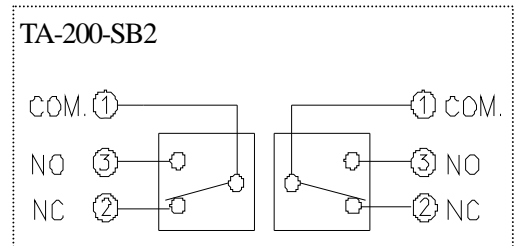
Nominal Size	Type	Type Code	Protection Grade
400mm (16")	Gear Type	TA-200-SB2	IP55

Limit Switch Rating


Type Code	Rate Voltage (V)	Resistive Load (A)	Inductive Load (A)
TA-200-SB2	AC125	11	7
	AC250	11	7
	DC125	0.5	0.1
	DC250	0.25	0.04

Connection Diagram


(At intermediate opening)



(7) Installation procedure

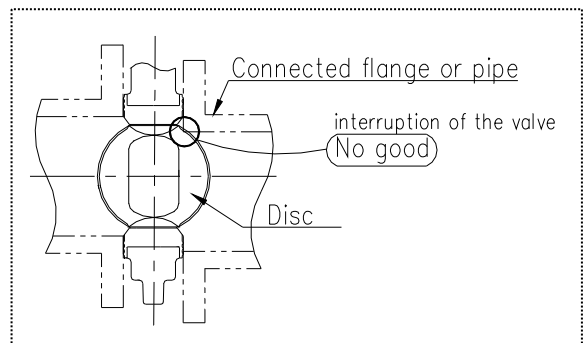
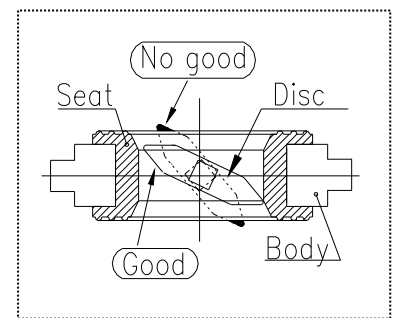
- 

Warning

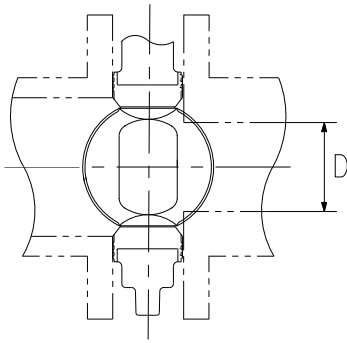
 - When suspending and supporting a valve, take care and do not stand under a suspended valve.
 - Be sure to conduct a safety check on all hand and power tools to be used before beginning work.
 - Wear protective gloves and safety goggles as fluid remain in the valve even if the pipeline is empty. (You may be injured.)
- 

Caution

 - When installing a pipe support by means of a U-band or something similar, take care not to over-tighten. (Excessive force may damage the pipe.)
 - When installing pipes and valves, ensure that they are not subjected to tension, compression, bending, impact, or other excessive stress.
 - Do not install the valve with the disc fully closed. (The disc may pinch into the seat, resulting in a high operating torque and preventing the valve from operating properly.)
 - Use flat faced flanges for connection to AV Valves.
 - Ensure that the mating flanges are of the same standards.
 - The gasket is unnecessary. (The seat carries out the role of the gasket.)
 - The valve disc is in the position indicated by solid lines in figure to the right prior to shipment from the factory. If the valve is opened or closed after unpacking, it must be reset in this position before installation. Failure to do so will result in damage to the surface of the valve seat during handling and installation.
 - Care must be used during piping installation to ensure that the pipes or flanges are properly aligned so that the valve disc does not contact them in any setting. Misalignment as in figure below will result in damage to the valve.



In case of an abutting thick walled flange and pipe, shave the flange or the pipe inner diameter in order to avoid contact of pipe and disc. If the inside diameter of the connecting pipe is larger than dimension D below, shaving is not necessary.



Unit: mm (inch)

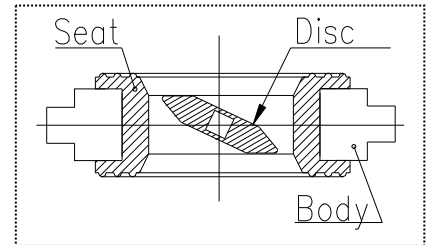
Nominal size		Diameter D	
400	(16")	370	(14.57")
450	(18")	422	(16.61")
500	(20")	472	(18.58")
600	(24")	572	(22.52")

Necessary items

- Torque wrench
- Spanner wrench
- Bolt-Nut-Washer (For many flanges specification.)

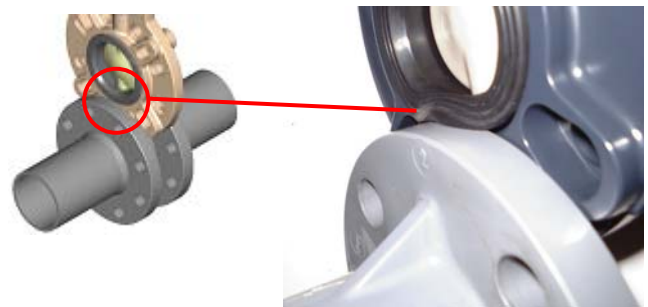
Procedure

- 1) Leave the disc [2] slightly opened by the handle.
Do not make the disc protrude from the seat. (The disc may be damaged.)
- 2) Set the valve to the coupled flange.
- 3) Insert the connecting bolt-washer-nuts, and temporarily tighten them by hand.
- 4) Using a torque wrench, tighten the bolts and nuts gradually to the specified torque in a diagonal manner.



Caution

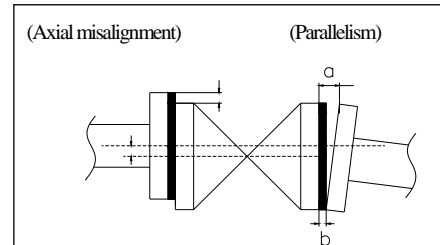
- When you insert a valve between flanges, please insert after extending the fields of flanges fully. (If you insert a valve by force without fully extending fields of flanges, a liner may be turned over and suffer a crack.)



- The parallelism and axial misalignment of the flange surface should be under the values shown in the following table to prevent damage the valve.
(A failure to observe them can cause destruction due to stress application to the pipe)

Unit : mm (inch)

Nom. Size	Axial Misalignment	Parallelism (a-b)
400-600mm (16"-24")	1.5 [0.06]	1.0 [0.04]

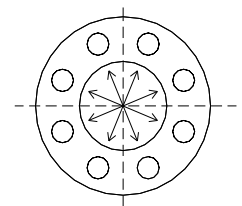


- Tighten the bolts and nuts gradually with a torque wrench to the specified torque level in a diagonal manner.
(Avoid excessive tightening. (The valve can be damaged.))

Specified torque value

Unit: N·m {kgf·cm} [lb·inch]

Nom. Size	400, 450mm (16", 18")	500, 600mm (20", 24")
Torque value	80 {816} [710]	100 {1020} [887]

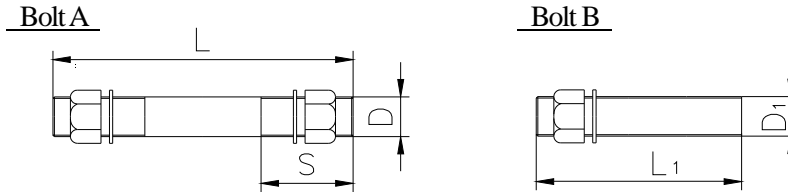


JIS Standard (10K)

Body Material: PP, PVDF, PDCPD

Unit: mm (inch)

Nominal Size	Bolt A			Bolt B		Quantity		
	D	L	S	D1	L1	Bolt A	Bolt B	Nut & Washer
400mm (16")	M24	more than 290mm (11.42")	60mm (2.36")	M24	more than 120mm (4.72")	14	4	32
450mm (18")		more than 310mm (12.20")	65mm (2.56")		more than 120mm (4.72")	16	8	40
500mm (20")		more than 320mm (12.60")	65mm (2.56")		more than 120mm (4.72")	16	8	40
600mm (24")	M30	more than 350mm (13.78")	75mm (2.95")	M30	more than 140mm (5.51")	20	8	48



(8) Connection of limit switch procedure (option)

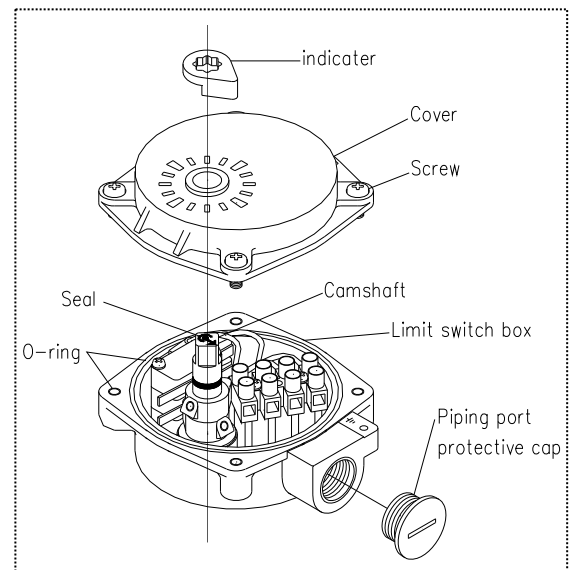
Warning ⚠️ - Shut down the power on the equipment before connecting wires. There are risks of electrical shock depending on the level of operating voltage.

Caution ⚠️ - Be sure that the terminal cover and body cover are put on during the operation.
 - If you use the limit switch at 1mA-100mA or 5-30V, consult near Asahi dealer.



- Necessary items**
- Screw driver (+)
 - Wire stripper
 - Connector (G1/2)
 - Terminal crimping tool
 - Crimp-style terminal

Procedure (TA-200-SB2)


- 1) Remove the indicator.
- 2) Remove the fixed screws from casing using screw driver (+).
 ※Don't be missing the o-ring of case end.
- 3) Turn to counter clockwise and remove the piping port protective cap.
- 4) Draw the cable through the connector.
- 5) Strip the cable with wire stripper.
- 6) Connect the cable to terminal board with a screw driver (-) in accordance page 12.
 ※Tighten the screws. (Short circuit or shocks may occur.)
- 7) Tighten up the connector to fix the cable.
- 8) The screws must be tightened in turn after set the casing with screws driver (+)
 ※Be sure to set the o-ring when the casing is re-set. (Short circuit or shocks may occur.)
- 9) Inset the indicator to the upper camshaft which must be set same direction of the seal's arrow.



(9) Operating Procedure

  - Do not use the valve to fluid containing slurry. (The valve will not operate properly.)

Caution

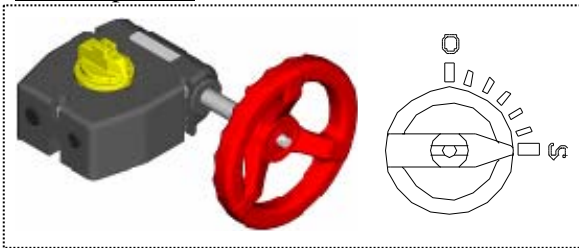
 - The installed valve must never be opened or closed when foreign matter such as sand is present in the pipeline.

- Do not exert excessive force in closing the valve.
- When operating the handle, be sure to do so with your hand. (Using a tool may damage the handle.)

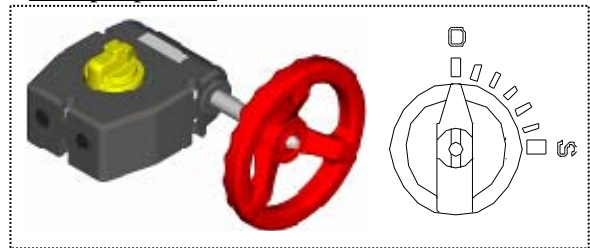
- The indicator shows the position of the disc on the top of gear box.
 - For the full-shut position, the indication shows Shut [S].
 - For the full-opened position, the indication shows Open [O].

• Gear Type (Type 3) 【Butterfly Valve Type 56, 56D: Nominal Size 400mm (16”)】

Full shut position

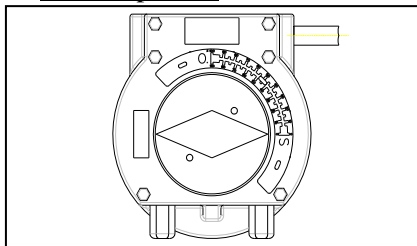


Full open position

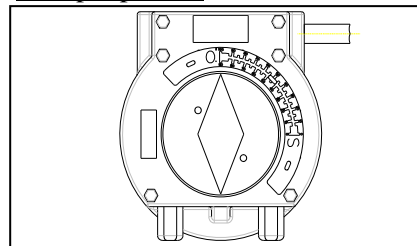


• Gear Type (BVG-2H) 【Butterfly Valve Type 75, 75D: Nominal Size 450-600mm (18”-24”)】

Full shut position

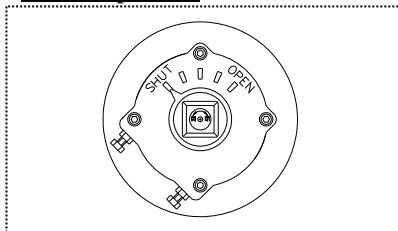


Full open position

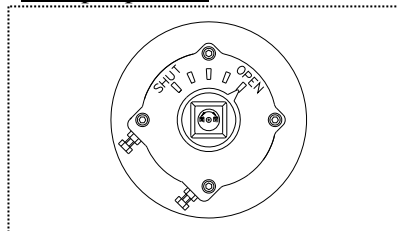


• Top Gear Type (RVA-03-UG/ RVA-04-UG) 【Butterfly Valve Type 56, 56D, 75, 75D: Nominal Size 400-600mm (18”-24”)】

Full shut position



Full open position



Technical Data for Operation of Gear Type (Type 3/ AB1250N)

Nominal Size		Stem Torque		Diameter of Handle	Required Operating Force (N)	
Body Material		PP, PVDF	PDCPD		PP, PVDF	PDCPD
mm	inch	N·m	N·m	mm	N	N
400	16”	760	1300	300	170	290
450	18”	820	1500	400	127	236
500	20”	1150	1800	400	178	286
600	24”	1600	1900	400	248	302

Note: Data mentioned in the table above is reference only.

These data are measured in standard condition and it slightly differs depending on conditions.

Required Operating Force is the data by turning handle with both hands.

Technical Data for Operation of Top Gear Type (RVA-03-UG/ RVA-04-UG)

Nominal Size		Stem Torque		Diameter of Handle	Required Operating Force (N)	
Body Material		PP, PVDF	PDCPD		PP, PVDF	PDCPD
mm	inch	N·m	N·m	mm	N	N
400	16"	760	1300	250	190	326
450	18"	820	1500	315	98	178
500	20"	1150	1800	315	134	212
600	24"	1600	1900	315	190	224

Note: Data mentioned in the table above is reference only.

These data are measured in standard condition and it slightly differs depending on conditions.

Required Operating Force is the data by turning handle with both hands.

(10) Disassembly and assembly procedure for parts replacement



- Wear protective gloves and safety goggles as fluid remain in the valve even if the pipeline is empty.
(You may be injured.)

- When installing pipes and valves, ensure that they are not subjected to tension, compression, bending, impact, or other excessive stress.

- Do not change or replace valve parts under line pressure.

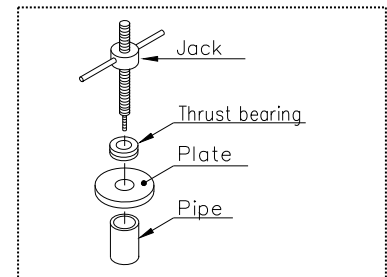
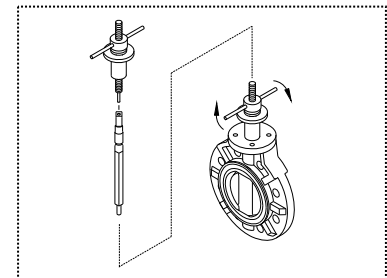
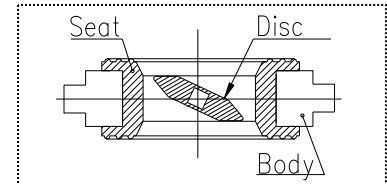
Necessary items

- Protective gloves
- Safety goggles
- Spanner wrench
- Plate
- Thrust bearing
- Silicone grease
- Screwdriver (-)

<< Disassembling The Valve >>

Procedure

- 1) Drain fluid completely from the pipeline and leave the valve slightly opened.
- 2) Loosen the connecting bolts and nuts with a spanner wrench.
- 3) Remove the valve from the pipeline.
- 4) To take off the gearbox [25], loosen the bolt (C) [28] and pull up the gearbox.
- 5) Attach jack, thrust bearing, plate, and pipe to the valve, and thread the jack into the stem [7].
- 6) Remove the stem [7] from the jack.
- 7) Remove the O-ring (C) [6].
- 8) Make the disc [2] fully open.
- 9) Pull out the both edges of seat [7] and remove the seat [3] and disc [2].
- 10) Take the disc [2] out of the seat [3].
- 11) Remove the O-ring (A) [4] and the O-ring (B) [5].



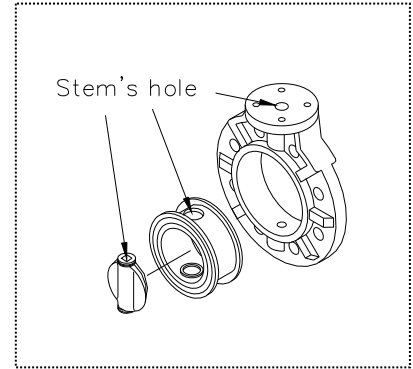
<< Disassembling The Handle of Gearbox[450-600mm (18"-24")] >>

- 1) Extrude the spring pin which is connecting the shaft and steering wheel by a tool.
- 2) Pull out the steering wheel of the shaft.

<< Assembling The Valve >>

Procedure

- 1) Before starting assembly, silicone grease (equivalent to Toray Silicone HVG) should be spread on the disc O-rings (A) [4], (B) [5] and stem O-ring (C) [6].
- 2) The procedure of the assembly is the almost reverse of its disassembly. However, to insert seat [3] with the disc [2] into the body [1], set the disc [2] with half - opened position. Press outer rim of seat [3] into inside of the body [1], keeping stem holes straight. (Make sure that stem holes of the seat [3] are in alignment with the stem holes of the body [1].)
- 3) After assembly, make sure that the disc [2] fits seat [3] well.



<< Assembling The Handle of Gearbox[450-600mm (18"-24")] >>

- 1) Attach the Handle and the shaft aligning the holes correctly.
- 2) Use a hammer to intrude/push in the spring pin into the hole.

(11) Adjustment procedure for stopper

Necessary items

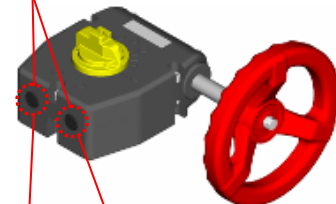
- Protective gloves
- Allen wrench
- Spanner wrench

The adjustments for full-opened and full-shut position are step-less, and it can be done with the stopper adjuster.

- 1) Butterfly Valve Type 56, 56D (Gear Type: Type 3)
Remove the rubber cap of Full-shut (Full-opening) adjuster.
Butterfly Valve Type 75, 75D (Gear Type: AB1250N)
Remove the nut by spanner wrench.
Butterfly Valve Type 56, 56D, 75, 75D
(Top Gear Type: RVA-03-UG, RVA-04-UG)
Loosen the lock nut by spanner wrench.
- 2) Loosen the adjuster hex-bolt completely by Allen wrench or spanner wrench.
- 3) Adjust the disc of valve to required position.
- 4) Tighten the adjuster hex-bolt.
- 5) Butterfly Valve Type 56, 56D (Gear Type: Type 3)
Put the rubber cap of Full-shut (Full-opening) adjuster back on gear box.
Butterfly Valve Type 75, 75D (Gear Type: AB1250N)
Attach the nut to the stopper.
Butterfly Valve Type 56, 56D, 75, 75D
(Top Gear Type: RVA-03-UG, RVA-04-UG)
Tighten the lock nut by spanner wrench.

Butterfly Valve Type 56, 56D

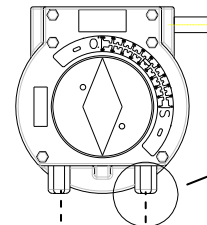
Rubber Cap



Adjuster for Full Shut Position

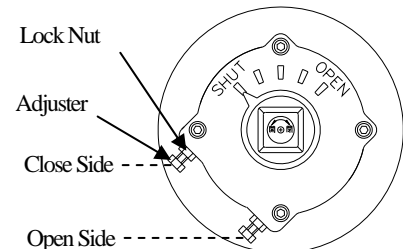
Adjuster for Full Open Position

Butterfly Valve Type 75, 75D





Open Side Close Side Nut Adjuster

Butterfly Valve Type 56, 56D, 75, 75D



(12) Inspection items



  - Perform periodic maintenance. (Leakage may develop due to temperature changes or over periods of prolonged storage, rest or operation.)

(1)	Check for flaw, crack, or deformation on the valve.
(2)	Check for leaks to the outside.
(3)	Check for the deformation of seat due to improper installation of valve.
(4)	Check for the smoothness of handle operation.

(13) Troubleshooting

Phenomenon	Cause	Treatment
Fluid is not stopped in the full closed position at the seat.	1) The stopper is not set correctly. 2) The seat is damaged or worn. 3) Foreign materials are caught. 4) The disc is damaged or worn. 5) The connecting bolts are over tightened or tightened unevenly.	Adjust the stopper. Replace the seat. Clean up. Replace the disc. Adjust and retighten.
Fluid leaks to the outside.	1) The seat is damaged or worn. 2) The connecting bolts are not tightened in proper torque or evenly.	Replace the seat. Adjust and retighten.
The handle does not work smoothly	1) Foreign materials have adhered. 2) The gearbox is damaged. 3) The connecting bolt is over tightened.	Adjust and retighten. Replace the gearbox. Adjust and retighten.
Valve does not operate	1) The gearbox is damaged 2) The stem is damaged. 3)The spring pin is damaged	Repair or replace. Replace the stem. Replace the spring pin

(14) Handling of residual and waste materials

  - Make sure to consult a waste treatment dealer for recommendations on the proper disposal of plastic valves. (Poisonous gas is generated when the valve is burned improperly.)

Butterfly Valves

Type 56: 400mm (16")

Type 75: 450-600mm (18"-24")

Type 56D: 400mm (16")

Type 75D: 450-600mm (18"-24")

ASAHI YUKIZAI CORPORATION

Distributor

<http://www.asahi-yukizai.co.jp/en/>