



**GENESIS | CCTV™**  
Vision with Integrity.

# Product Manual

**ID-650VDN**



[www.GenesisCCTV.com](http://www.GenesisCCTV.com)

© 2013 Genesis CCTV™ | 6923 Narcoosee Rd. Unit 610 • Orlando, FL 32822 | O: 407.282.7786 | F: 407.282.7184

# Specification

Model	ID-650VDN
Pick up Element	1/3"SONY
Effective Picture Elements (HxV)	PAL:752(H)*582(V) NTSC:768(H)*494(V)
Horizontal Resolution	650TV Line
Minimum Illumination	0.001Lux 0Lux (with IR LED ON)
S/N Ratio	More than 48dB
Scanning System	2:1 interface
Synchronous System	Internal, Negative sync.
Auto Electronic Shutter	NTSC: 1/60s~1/100,000s, PAL: 1/50s~1/100,000s
Gama Characteristic	0.45
IR Distance	30 Meters (with $\phi$ 5X24PCS Infrared LED)
IR Status	Under 10Lux by CDS
IR Power On	CDS AUTO Control
Video Output	1Vpp, 75 $\Omega$
Auto Gain Control	Auto
Power/Current	DC12V/500mA
Lens	3.6mm Lens(6mm/8mm optional)
Dimension (mm)	$\phi$ 131 x 93(H)
Weight (g)	800g
Storage Temperature	-30~+60
Operating Temperature	-10~+45

No	Name	Manual	Number
1.	Vandal proof IR Dome Color Camera	Dome Series	1
2.	User Guide		1



GENESIS | CCTV

## USER MANUAL

6923 Narcoossee Rd Orlando, FL 32822  
www.genesiscctv.com

## Dome Series Color Camera

### IR Dome Color Camera



**Notes:** Before providing power for the camera, please read this User Guide in detail!

Do not attempt to disassemble the camera. If the camera can not work, please contact Genesis CCTV for technical support.

## BRIEF OF PRODUCT

- 1/3" Sony Color Super HAD CCD
- High Resolution :420/540/600/680TVLines
- Simple Installation Adjustment
- Cable Managed
- 22pcs IR Led
- Elegant design
- Intelligent LED Power
- 2.8mm - 12mm Lens
- IR Distance 25m
- Day/night function w/ Infrared
- Power supply: DC12V



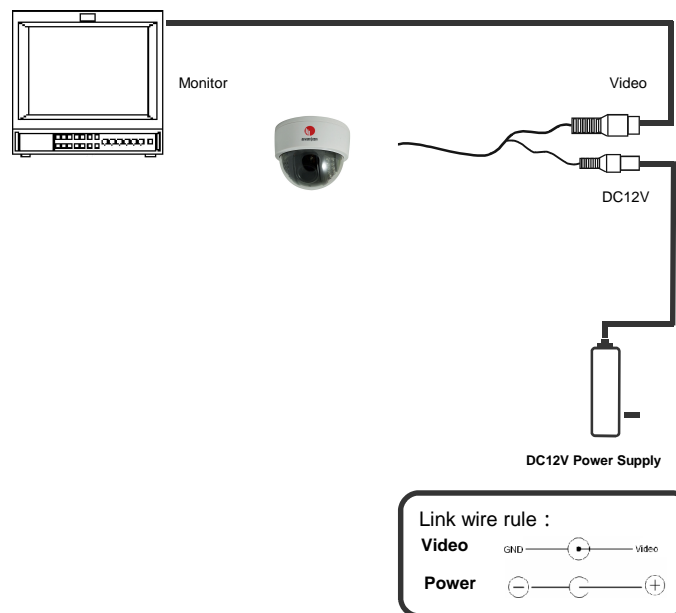
### Notes :

The power supply must through safe attestation. Its output voltage, current, voltage polarity and operating temperature must match the camera's requirement.

When using the camera in the thunderbolt condition, please note to mount Anti-thunder device or put off the power supply plug and cable.

In order to capture high quality pictures, the power supply's cable and

## CONNECTING



## TROUBLE AND SOLUTION

- 1. No Picture after providing power**
  - . May be the power supply voltage abnormality, please check the power supply voltage and pole whether exactitude.
  - . Please check all the connecting cable and monitors whether be connected correctly or not.
- 2. The picture level direction have flowing interference ripples**
  - . May be caused by the power supply AC ripples, it need filter the wave of the power supply.
  - . Check the monitor and peripheral equipments used.
- 3. The picture background color changes continuously**
  - . The fluorescent lamp's electromagnetic field cause color roll. This is proper phenomenon of the cameras.
  - . Reduce the fluorescent lamp numbers or increase the distance between the camera and the fluorescent lamps can improve it.
  - . Use power supply external sync. camera can solve it.
- 4. The picture smear too mass**
  - . The power supply's voltage unstable.
  - . Connecting cables not connect correctly or have high impedance.

## INTRODUCTION

Congratulations on your purchase of this product. This User Guide is for the ID-650VDN. We adopt the latest SONY/SHARP sensors and drivers. The most attractive characteristics are small and easily hidden, in the elevator and corridor. In addition, it owns the characteristics of high definition and stability, strong anti-jamming, rich and real color. Setup and use of this model is convenient too. Making it a great faddition to your CCTV system.

Please read this instruction manual carefully to ensure proper use of the product.



To prevent fire or shock hazard. Do not expose the unit to rain or moisture.



The symbol is intended to alert the user to the presence of important operating and maintenance (servicing) Instructions in the literature accompanying the appliance.



The symbol is intended to alert the user to the presence of uninsulated 'dangerous voltage' within the product's enclosure that may be of sufficient Magnitude to constitute a risk of electric shock to persons.

	<b>CAUTION:</b> <b>RISK OF ELECTRIC. DO NOT OPEN</b>	
<b>SHOCK</b>	<b>CAUTION: TO REDUCE THE RISK OF ELECTRIC DO NOT REMOVE COVER OR BACK NO USER SERVICEABLE PARTS INSIDE. REFER SERVICING</b>	
<b>CAUTION: TO PREVENT ELECTRIC SHOCKS AND RISK OF FIRE HAZARDS, DO NOT USE OTHER THAN SPECIFIED POWER SOURCE.</b>		



### Note

Please note the camera's operating temperature and its using environment requirement. Avoid using the camera at too high or too low temperatures. The operating temperature is -30~+60°C. (Recommendatory operating temperature is -10~+45°C.)

Never make the camera face the sun or bright object. Otherwise, it will damage the CCD.

Do not mount the camera near by the radiator or heater.