



SILVERSATA™ II SJ USER'S MANUAL

Revised 9/13/2006



Features

- Connects to your computer through a fast eSATA connection. Also features a USB port for wide compatibility.
- Each SATA hard drive has its own data channel for maximum speed.
- Hot-swappable trays allow you to quickly change out drives. Trays are interchangeable with other products in the SilverSATA series.
- Its attractive design takes up little desktop space, occupying a tiny footprint for so much storage capability (up to 1.5 Terabytes).
- Sturdy aluminum case provides excellent heat dissipation and rugged durability.

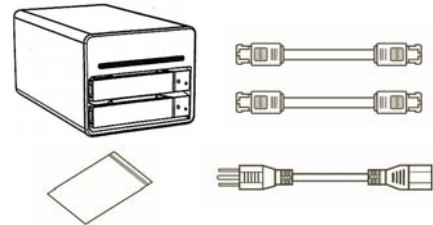
Table of Contents

Before Installation	2
Contents of the box	2
Identifying the parts of the product	2
Hardware Setup	3
Installing hard drives	3
Connecting to a computer	4
LED Indicators	5
Usage with Macs	5
Usage with Windows computers	5
Warnings and Notices	6
Technical Specifications	6

Before Installation

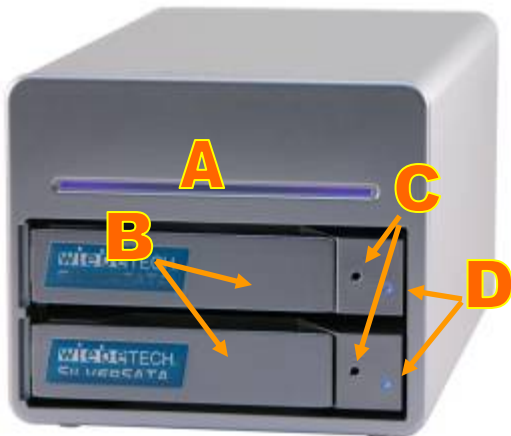
1. Check the accessories with your SilverSATA II SJ. Please contact WiebeTech if any items are missing or damaged. The box should contain the following items:

SilverSATA II SJ enclosure	1
Removable trays (inside enclosure)	2
eSATA cables	2
Power cord	1
Packet of keys and drive screws	1
Manual and Warranty information	(on CD)



2. Familiarize yourself with the parts of your SilverSATA II SJ. This knowledge will be useful during hardware setup.

Front View



- A. Power indicator
- B. Tray handles
- C. Lock holes
- D. HDD status indicators

Rear View



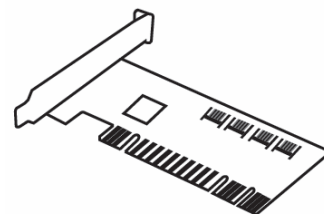
- a. Power socket
- b. Power switch
- c. Cooling fan (4cm)
- d. eSATA ports (one for each drive)



WARNING: Do not block the ventilation fan during operation. Overheating may damage the device or hard drives.

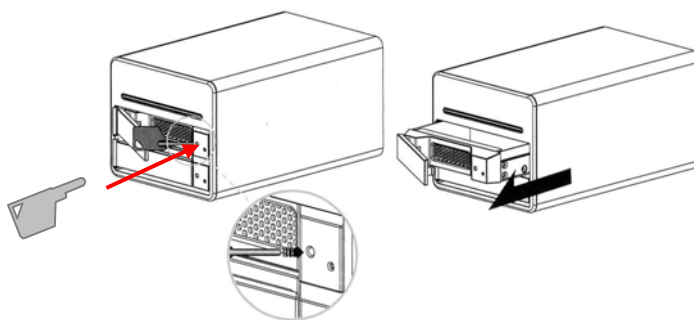
Hardware Setup

1. Install a host bus adapter (HBA) with at least two eSATA ports into an empty expansion slot inside your computer (optional). If your computer already has 2 available eSATA ports, you can skip this step. Compatible HBA cards are available from WiebeTech (www.wiebetech.com). The following general steps will work for most cards. Instructions for individual cards may vary, so consult your host card's user manual.

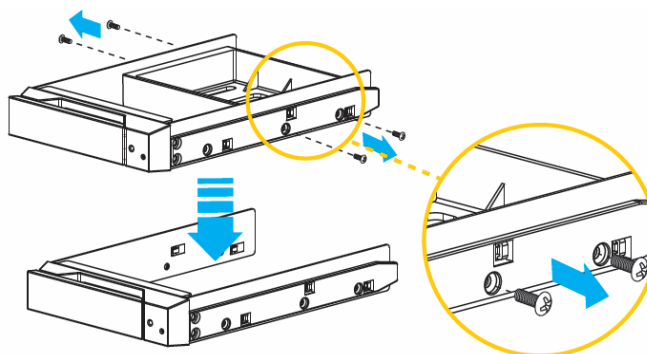


- a) Power down the computer system.
- b) Insert the PCI card into an available PCI slot. Do not force it, but it will take firm pressure to fully seat the interface. It may help to gently rock the card back and forth as you apply pressure.
- c) Once the card is fully seated in the slot, secure it in place with a screw.
- d) Turn the computer back on.
- e) Install the appropriate drivers for the card. These are usually found on the CD or diskette that came with the card. The drivers for WiebeTech cards are found on the "Product Information & Manuals" CD. Browse to the folder "[Other WiebeTech Products - Manuals & Drivers](#) → [PCI, PCIe Host Cards](#)" and then select the subfolder for your specific model.

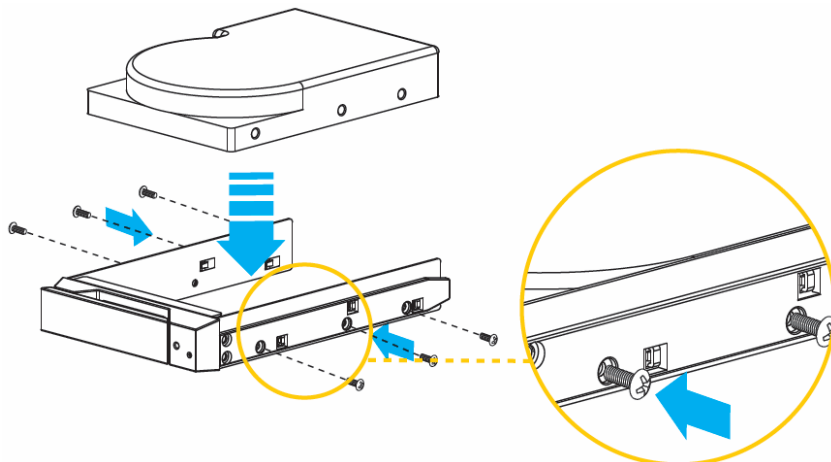
2. Remove a tray from the SilverSATA II SJ enclosure. Insert the included key into the lock hole to release the tray's handle and then slide the tray straight out.



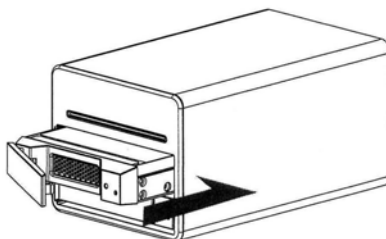
3. Remove the plastic insert from the tray. The plastic inserts help protect the trays during shipment. They are not needed to operate the unit, and must be removed before drives can be installed.



4. Install your SATA hard drive into the tray. Lay the drive into the frame of the removable tray, making sure it lays flat. Align the 4 screw positions then use the included screws (#6-32) to secure the drive into position.

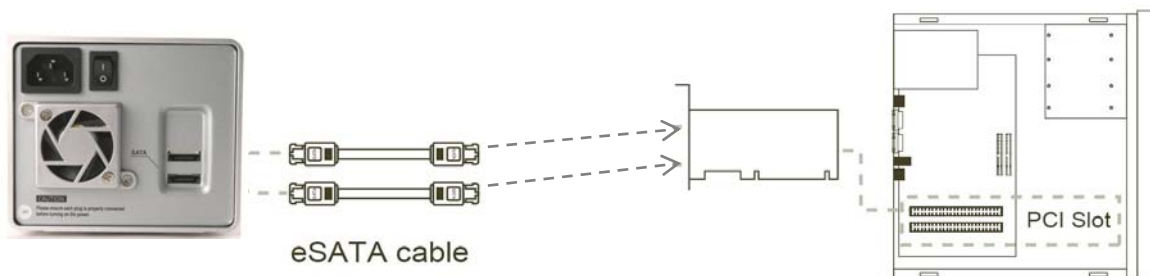


5. Insert the tray into the SilverSATA II SJ unit. Gently push the tray along the sliding track into the hard drive compartment and then close the tray, as illustrated below. Repeat steps 2 through 5 for the other tray.



6. Plug in the eSATA cables and power cord. The SilverSATA II SJ connects to your computer through eSATA, an external application of Serial-ATA technology. One end of each cable connects to the back of the unit. Insert the other ends into eSATA ports on the computer.

Your SilverSATA II SJ is now ready to use! Turn on the power switch on the back of the unit. If your drives are already formatted, you can begin using them right away. New hard drives will need to be formatted before they can be used. Initially, each drive is seen as a separate drive by the computer. If you wish, you may format each drive into a separate volume and use them individually. If you have software for creating a RAID (Redundant Array of Independent Disks), you may combine the drives into a single volume for faster performance and/or data redundancy. Some operating systems, such as Mac OS X, have this software built in.



LED Indicators

- HDD Access LED will flash blue when the computer accesses data on the hard drive.
- Power LED will glow blue if the power is turned on.



Usage with Macintosh computers

Mounting and Unmounting Volumes

When you connect the unit to the Mac for the first time and turn on the power, you may see a message saying that the disks are unreadable. This is because new drives must be formatted before use. The easiest way to do this is with Mac OS X's Disk Utility. Select "Mac OS Extended" as the format type. After the volume is formatted, an icon representing the drive volume will appear (mount) on the desktop. You can now use the volume just like an internal hard drive.

Unmount each volume before powering down the unit by dragging the volume's icon to the trash bin, or by selecting the volume then pressing Command-E. Shutting down the unit without first unmounting the volume can result in data loss.



Booting to the SilverSATA II SJ

Your ability to boot to the SilverSATA II SJ depends upon whether or not the eSATA host to which it is connected supports this feature. Many eSATA hosts do not support booting.



Usage with Windows computers

Formatting/Mounting Volumes

If your drives are not already formatted, you must format them before use. Use Disk Management, which you can find by right-clicking on My Computer then selecting Manage. Select NTFS for the format type.

After the volume is formatted, an icon representing the drive volume will appear in My Computer. You can now use the volume just like an internal hard drive.

Ejecting Volumes

You will not be able to eject the SilverSATA II SJ like you can with devices that connect via FireWire or USB. Make sure no applications are accessing data from the drives before powering off the unit. Check the drive access LEDs to make sure no drive activity is taking place. Turning off the SilverSATA II SJ during hard drive access could result in data loss.

Warnings and Notices

- Use only hard drives that are in perfect condition. Avoid using drives that have ever developed bad sectors during previous usage. This could lead to possible device failure or loss of data.
- The SilverSATA II SJ supports drives of various specifications and different capacities. However, if you wish to use the drives in a software RAID configuration, we recommend using drives of the same brand and type for optimal performance. If drives of different capacities are used, the capacity of the smallest drive will determine how much of each drive is used. The additional capacity on the larger drives will not be used by the RAID.
- Creating a software RAID level 0 will allow you to use the full, combined capacity of the drives, and offers the best data transfer speeds. However, RAID 0 offers no protection for the data. If one drive fails in a RAID 0, the data on all of the drives is irretrievably lost. Before creating a software RAID, investigate the various RAID types and choose the one that is best for your needs.
- If you create a software RAID 0, do not attempt to hot swap trays. Drives must be kept together in a RAID 0, or data loss will result.

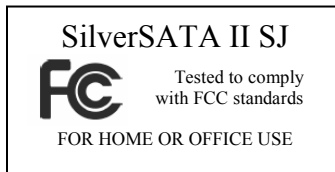
Technical Specifications

Product name & Code	SilverSATA II SJ (SIS2-SJ)
Host Interfaces	eSATA (one connection for each drive)
Data Interface Speed	SATA 3.0GHz (up to 300MB/sec)
Drive Types Supported	3.5" SATA1 & SATA2 hard drives (Serial-ATA)
Hot-Swappable Trays	Yes, when used with a SATA host that supports hot-swapping.
Operating System Requirements	Windows 2K, XP, Server 2003 Mac OS X
Cooling Fan	40mm ball bearing fan for cooling hard drives
Operating Temperature	50 – 85° Fahrenheit (10 – 30° Celsius)
Operating Humidity	5% to 95%, noncondensing
Power Supply	Input: 100-240VAC Output: 70 Watts
Certifications	CE/FCC
External Material	Aluminum alloy case
Shipping Weights	8 pounds, sans drives 10 pounds, with drives
Dimensions	(122mm Width x 205mm Depth x 105mm Height)
Warranty	1-year limited warranty. See warranty statement for details and limitations. We offer 90 days of free phone support (1-866-744-8722). After 90 days, email support is available at support@wiebetech.com .

SilverSATA is a trademark of WiebeTech LLC. Other marks are the property of their respective owners.

© 2005-2006 WiebeTech LLC. All rights reserved.

FCC Compliance Statement: "This device complies with Part 15 of the FCC rules. Operation is subject to the following two conditions: (1) This device may not cause harmful interference, and (2) this device must accept any interference received, including interference that may cause undesired operation."



In the event that you experience Radio Frequency Interference, you should take the following steps to resolve the problem:

- 1) Ensure that your unit is plugged into a grounded electrical outlet.
- 2) Use a data cable with RFI reducing ferrites on each end.
- 3) Use a power supply with an RFI reducing ferrite approximately 5 inches from the DC plug.

If you have any questions or problems, please contact support@wiebetech.com for technical support. If you are interested in purchasing more WiebeTech products, check our website or contact sales@wiebetech.com. We appreciate being able to serve you!