

User Manual

LCD monitor

Model: ST-HB65A5X
Landscape / Portrait Type



Contents

IMPORTANT SAFETY INSTRUCTIONS	2
SAFETY PRECAUTIONS	2
INSTALLATION (WHEN INSTALL THE MONITOR, PLEASE FOLLOW THE INSTRUCTION ON THE MANUAL)	3
USE	4
CLEAN	5
WARNING FOR USE	6
ON USING	6
EXEMPTIONS	6
FEATURES	7
PACKAGE CONTENTS	7
POWER INPUT-LANDSCAPE TYPE	9
POWER INPUT-PORTRAIT TYPE	10
AC OUTPUT (ONLY FOR PORTRAIT TYPE)	10
POWER INTERFACE	10
SIGNAL CONNECTION	11
SIGNAL SOURCE INPUT	11
OPERATING THE MONITOR	13
THE SIDE CONTROLLER OF THE MONITOR	13
THE REMOTE CONTROL (RCU) INSTRUCTIONS	15
CHANGE THE RCU BATTERY (RCU OPTION)	16
DISPLAY MODE	17
OSD (ON SCREEN DISPLAY) MENU FUNCTION	19
OSD OPERATING	22
DEFAULT SETTING	25
SUPPORTED TIMING	26
SPECIFICATION	27
TROUBLESHOOTING	29
APPENDIX I	30
APPENDIX II	31

※ Please read this user's manual cautiously and completely before operating this monitor.

Important Safety Instructions

Before using the monitor, please read this user's manual thoroughly to help protect against damage your own and other people's property from potential damage and ensure your own and other people personal safety.

- ◆ Be sure to observe the following instructions with understanding meaning below.
- ◆ For your safety, be sure to observe the warning in this manual.
- ◆ The installation or adjustment, please follow this manual instructions or refer all servicing to qualified service personnel.

Safety Precautions

If smoke or peculiar smell comes from the monitor, remove the power plug from the outlet immediately.

If the monitor is still used in this condition, it may cause a fire or an electrical shock.
Make sure that the smoke or smell stopped, after that contact your dealer for inspection.

If there isn't picture, remove the power plug from the outlet immediately.

If the monitor is still used in this condition, it may cause a fire or an electrical shock.
Contact your dealer for inspection.

If water is spilled or objects are dropped inside the monitor, remove the power plug from the outlet immediately.

If the monitor is still used in this condition, it may cause a fire or an electrical shock.
Contact your dealer for inspection.

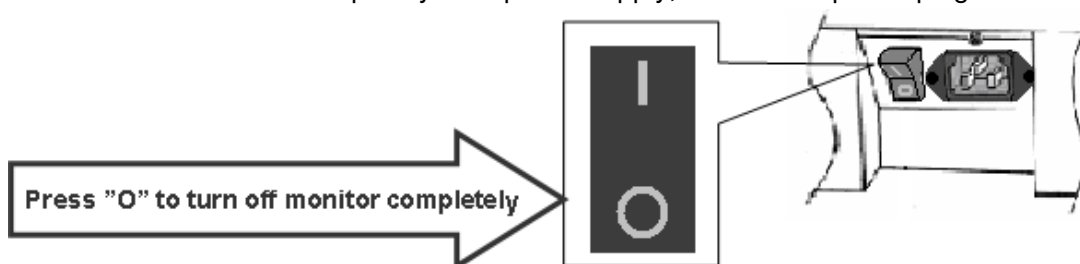
If the monitor is dropped or the cabinet is damaged, remove the power plug from the outlet immediately.

If the monitor is still used in this condition, it may cause a fire or an electrical shock.
Contact your dealer for inspection.

To turn off the power of the monitor, press "O" on the main power switch at side of monitor.

The power standby/on indicator goes off and the set cannot to be turned on/ off by using the POWER button on the remote control. (To turn on/off the monitor by the remote control, press the main power switch again and light the power standby/on indicator.)

- ◆ When turning off the monitor by pressing the POWER button on the remote control, the main power of the monitor is not turned off completely.
- ◆ To disconnect the monitor completely from power supply, remove the power plug from the outlet.



If the power cord or plug is damaged or becomes hot, turn off the main power switch of the monitor, make sure the power plug has cooled down and remove the power plug from the outlet.

If the monitor is still used in this condition, it may cause a fire or an electrical shock.
Contact your dealer for replacement.

Installation (when install the monitor, please follow the instruction on the manual)

Don't install in the high-temperature environment.

If the monitor used in high-temperature or in direct sunlight, it may cause the case or other parts be distorted, damaged, overheating or an electric shock.

Don't install in the high-humidity environment such as a bathroom or close to a humidifier.

This may cause overheating or an electric shock.

Don't install near any heat sources such as radiators, heat registers, stoves, or other apparatus that produce heat.

This may cause a fire or an electric shock.

Don't overload outlets or cables beyond electricity capacity.

Don't use extension cords, it may cause a fire or an electric shock.

Don't insert the power plug into an outlet other than 100~240V AC.

This may cause a fire or an electric shock.

- ◆ Don't use a damaged power plug or worn outlet.
- ◆ Don't insert the improper power plug it may cause a fire and an electric shock.

Don't place the monitor on an unstable shelf or desk, such as a shaky table.

The monitor may fall down and cause injury damage. Please install on a horizontal, stable surface.

Don't place objects on the monitor.

- ◆ If the monitor is covered under the newspaper, tablecloth or curtain, the monitor vent could be clogged, and it may make the monitor overheating and cause the fire.
- ◆ If metal or liquid (putting the vase, glass or the cosmetics) get into the monitor, it may cause a fire or an electrical shock.
- ◆ If you put the heavy object on the monitor, it may fall down and cause the injury
- ◆ Please Keep 10cm minimum distance between the monitor and the wall for sufficient ventilation.

Don't move the monitor when it is connecting power cord and cables.

- ◆ When moving the monitor, make sure to take off the power plug and cables from the outlet or sync source. If not, a fire and an electric shock may occur. If the power plug is damaged, injury may result from the monitor is falling down.
- ◆ When unpacking or carrying the monitor, at least 2 people are needed. Make sure the monitor is upright.
- ◆ When moving or putting the monitor, avoiding to face the monitor up or down.
- ◆ Handle the monitor so as not to jolt the monitor.

Use

When getting problem at installation, please contact your distributor to install for you. Don't repair or open the monitor by yourself.

It may cause a fire or an electric shock. The monitor repair, please ask your distributor.

Protect and correctly use the power cord/ plug.

- ◆ Don't heavy press the power cord/ plug, don't step on the power cord/plug.
- ◆ Connect the power cord and the monitor, before insert the power plug into the wall outlet.
- ◆ Don't operate the monitor with a damaged power cord, otherwise the monitor will be damaged.

Using the extension line precautions

If use the extension line, the current power of the voltage should be equal to the power consumption of the monitor at least, if the power of the voltage is smaller than the monitor, it will cause the overheated phenomenon.

If there is thunder or lightning, don't touch the monitor or the power plug.

This may cause an electric shock.

When remove the power plug from outlet on wall, don't revolve the power cord.

This may cause the power cord damaged. When take off the power plug, please hold the plug, don't revolve.

Don't sprinkle any kind of liquid on the monitor.

- ◆ If the monitor is sprinkled by any kind of liquid, please be sure to take off the power plug and ask an qualified service personnel to check the monitor.
- ◆ If the monitor's surface is touched by water, please clean it with a dry and soft cloth immediately.
- ◆ Don't sprinkle volatile liquid on the monitor such as insecticide.
- ◆ If the liquid enter the monitor, it may cause the electrical failure.

Don't insert or take off the power plug with wet hands.

This may cause an electric shock.

If the monitor isn't in use for a long time, for safety, please take off the power plug.

This may cause breakdown, or it may cause a fire.

If the monitor isn't in use for a long time, take off the power plug and store it in the proper package. The original carton and packing should be used, if possible.

Don't compress on the monitor panel.

This may cause personnel injury or panel damage and break-down.

Don't push or shake the monitor.

This may cause breakdown and the injury.

- ◆ If the glass of the monitor panel is broken, liquid crystals may transude. Please don't touch the liquid crystals.
- ◆ If liquid crystals get into your eyes or touch your skin, wash with the clean water and go to a doctor immediately.

Precautions for the remote control batteries..

- ◆ Please only use the specified battery type AAA.
- ◆ Please be sure to insert batteries by matching the + and—.
- ◆ Don't recharge, heat, disassemble, short or throw batteries into a fire.
- ◆ Don't mix a new battery with a used one.
- ◆ Don't mix different types of batteries together (only use the specified type). Or, it may cause burn and injury.

Clean

If dust has collected on the power plug, removed the plug from the outlet and clean off the dust.

The dust may cause a fire due to reduced insulation of the plug.

Take off the power plug before cleaning.

If not, it may cause an electric shock. Don't revolve the power cord and the plug from the outlet.

Or, it may cause electric shock.

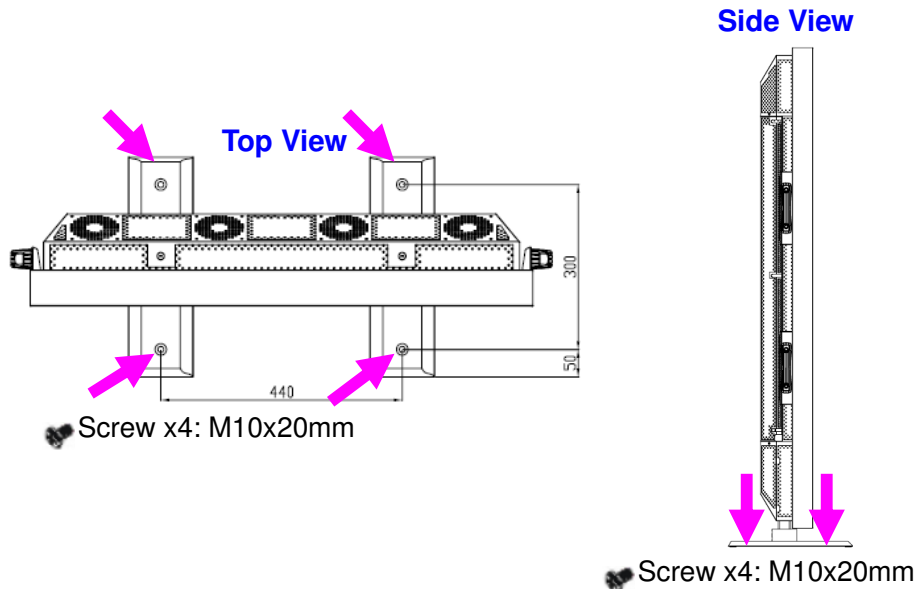
Clean the surface of the monitor.

- ◆ When the surface of the monitor is polluted, please wipe the surface with the cotton or clean cloth lightly.
- ◆ If pollution is not easy to clean out, can use the cloth with 50% of the alcohol .
- ◆ Please notice carefully that not to let alcohol enter the monitor, it may cause electrical failures.

Warning for Use

On using

- ◆ Do not put this “ST-HB65A5X-Landscape type model” on the ground use.
- ◆ If on the ground usage is necessary, there are 4 screws on the stand, please use the M10x20 screws to fix the monitor on the ground.



- ◆ The monitor may produce an overheating phenomenon during operation. Please be careful.
- ◆ In case of long-distance moving, please wrap the monitor with a blanket to avoid damage. Please be careful not to bump into the monitor.
- ◆ Don't expose to rubber or vinyl for a long time. It will damage the coating.
- ◆ Avoid keeping a static picture on this monitor, or it may cause a “burn in” image (image retention).
- ◆ “Burn in” image (image retention) is not covered under warranty.
- ◆ Make sure to change the image on the monitor periodically. Ex. after working for 18 hours, turn off the monitor for 6 hours per day.

Exemptions

- ◆ This product is not liable for any damage by natural disaster (such as earthquake, thunder, etc), fire, acts by third parties, accidents, owner's intentional misuse and fault, or uses in other improper conditions.
- ◆ This product is not liable for incidental damages (such as profit loss or interruption in business, modification or erasure of record data, etc.) caused by use or inability to use of this product.
- ◆ This product is not liable for any damage caused by inappropriate operation, or not following the user manual.
- ◆ This product is not liable for any damage caused by misuse or malfunction through simultaneous use of this product and the connected equipment or software.
- ◆ This product is not liable for any damage caused by neglect of the instructions described about installation.
- ◆ This product is not liable for any damage caused by improper installation.
- ◆ This product is not liable for any damage caused by disassembled, modified or maintained by non-authorized service center or people.

Features

High-resolution HD panel

This monitor supports 1920 x 1080 HDTV format and can display true 16.7M colors, you can enjoy extreme fine pictures.

MVA system less-reflection black TFT LCD panel

MVA system and Black TFT LCD panel offer bright and wide images with clear contrast. Even placed near the windows, the monitor shows bright and clear image with little reflection. The viewing angles of the monitor are as wide as 176° both horizontally and vertically, enough to enjoy clear images at any view angle.

Offer varieties of connection

<u>Video system Input:</u>		<u>RGB Input:</u>	<u>Command delivery</u>
VIDEO (RCA)	x1 (optional)	PC (D-Sub 15pin) x1	RS-232C in / D-sub 9pin
S-VIDEO (Mini Din 4 pin)	x2 (optional)		RS485 in / RJ-45
COMPONENT (RCA)	x2 (optional)		RS485 out/ RJ-45
HDMI	x2		

Other functions

- ◆ High color saturation.
- ◆ 2 HDMI inputs with HDCP key protection.
- ◆ Support SPDIF output.
- ◆ Support Signal source auto detection.
- ◆ Support OSD key pad lock function.
- ◆ Support PIP/ PBP function. Please see the chapter “Display mode ”
- ◆ Support Overscan function.
- ◆ Support input main / sub source detection.

Package Contents

Unpacking

ST-HB65A5X is packed by the carton box. During transportation, in order to protect the monitor, ST-HB65A5X is packed by cushions to be safe protect and package.

Before unpacking your monitor, prepare a stable, level, and clean surface near a wall outlet for your monitor first.

Set the LCD Monitor box in an upright position and open from the top of the box before removing the top cushions.

- Step 1: Remove the white handle and cut the bundle.
- Step 2: Remove the top cushion and take the accessories box out.

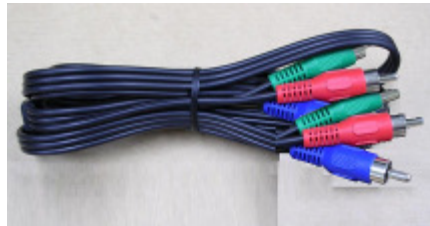
Packing list

Item		Q'ty
1	Top cushion	1 set
2	Accessories Box	1 pcs
	Remote controller	1 pcs
	Power cord	1 pcs
	D-SUB 15pin cable	1 pcs
3	Packing bag	1 pcs
4	ST-HB65A5X	1 pcs
5	Bottom cushion	1 pcs

VGA Cable (D-sub)



Component Cable



S-Video Cable



Composite (AV RCA) Cable



Power Cord –black



OSD Remote Control (Optional)

2 piece batteries (AAA) inside.



Installation

Environmental state

- ◆ Operating temperature : 5°C ~ 40°C (Fahrenheit : 41°F ~ 104°F)
- ◆ Humidity : 85%(Max)

Orientation for Landscape Type

Don't use this monitor in the portrait position.
Do so many cause failures and void the warranty.

Orientation for Portrait Type

Don't use this monitor in the Landscape position.
Do so many cause failures and void the warranty.
ST-HB65A5X Portrait Type model can not rotate a displayed image from landscape to portrait. Content must be created for use in portrait type.

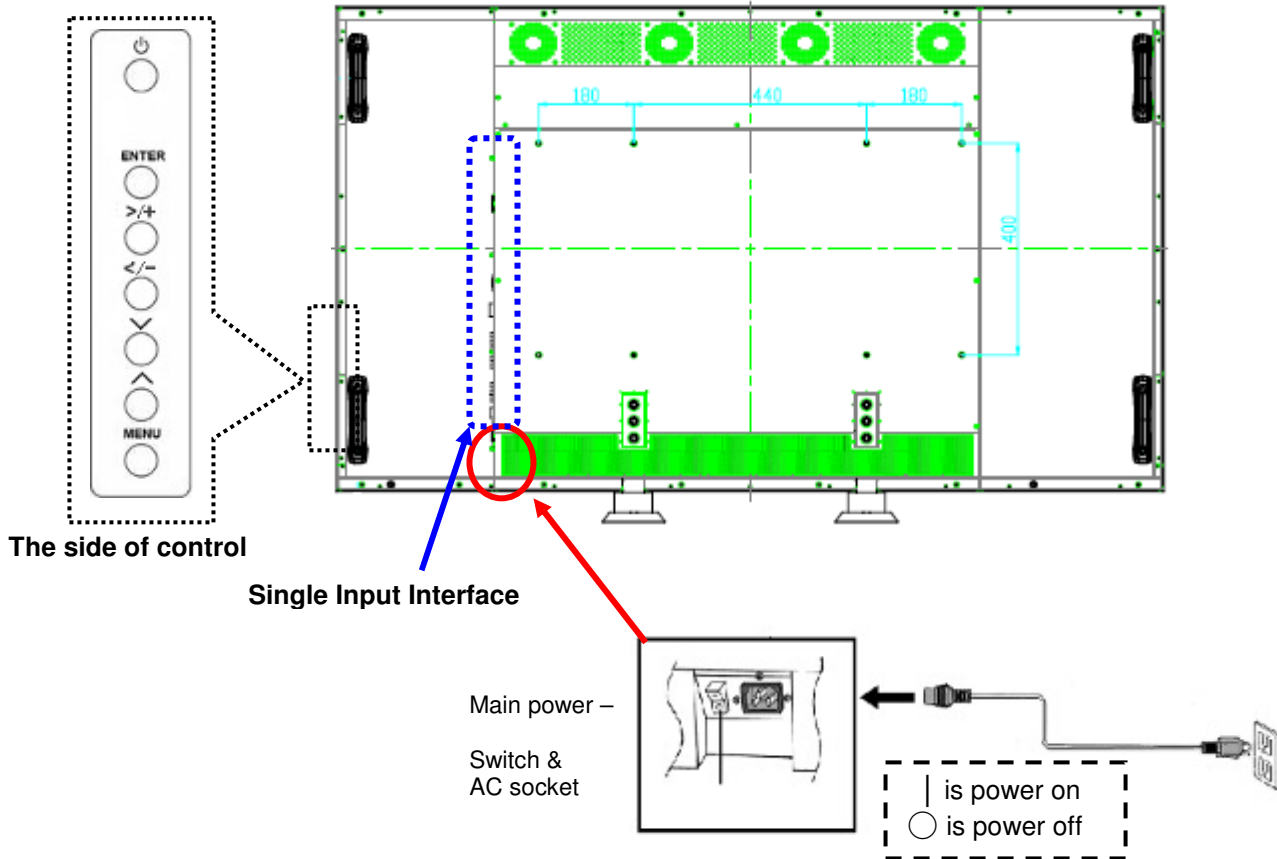
Power Input-Landscape Type

Power Cord

AC Power cord

This power cord is used to connect the side controls of the LCD monitor and the wall outlet.
Connect the power cord into main power of the monitor, "|" is power on, "○" is power off.

Input : 100-240V~ 3A 50/60Hz



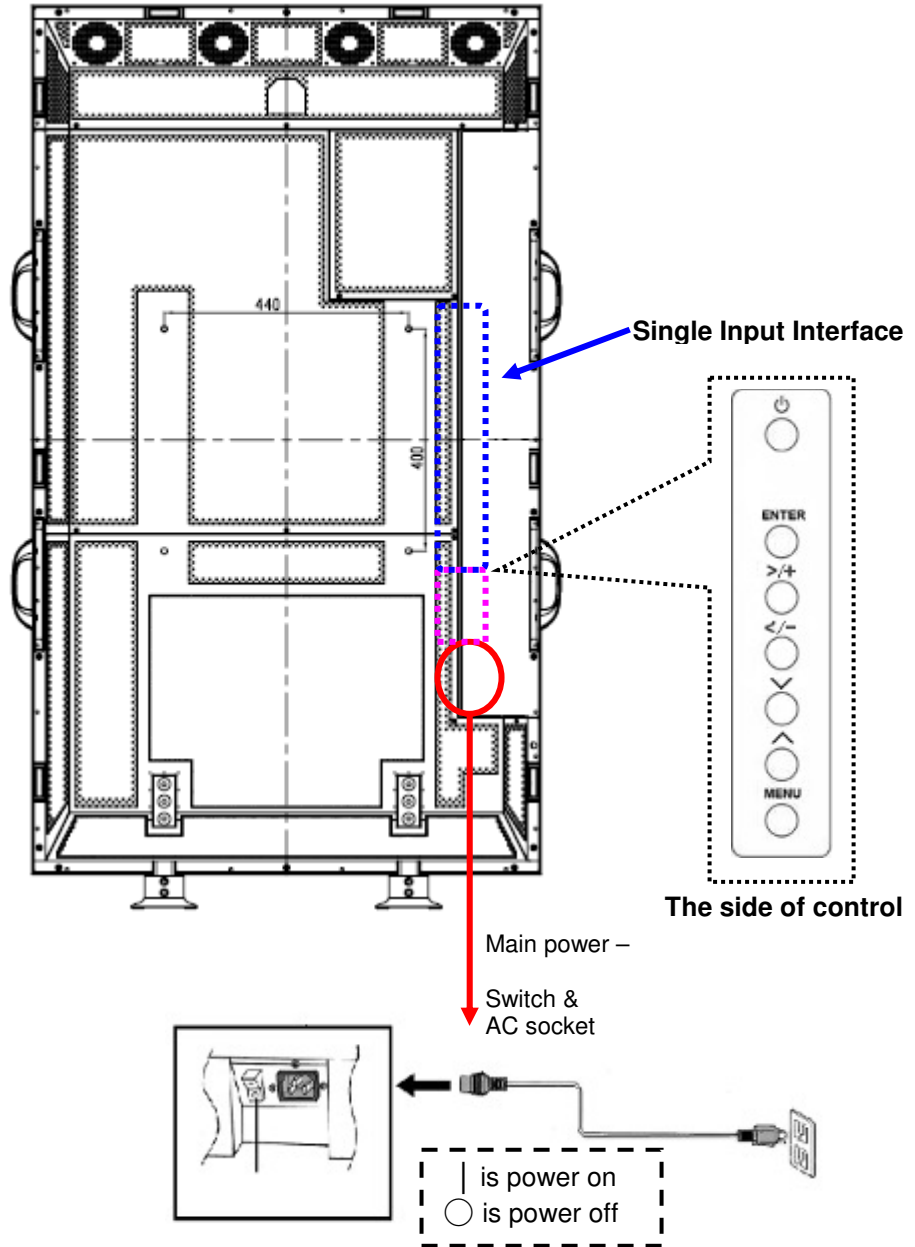
Power Input-Portrait Type

Power Cord

AC Power cord

This power cord is used to connect the side controls of the LCD monitor and the wall outlet. Connect the power cord into main power of the monitor, “|” is power on, “○” is power off.

Input : 100-240V~ 3A 50/60Hz



AC Output (only for Portrait type)

- ◆ Power output- AC outlet (2A)– US type.



Power Interface

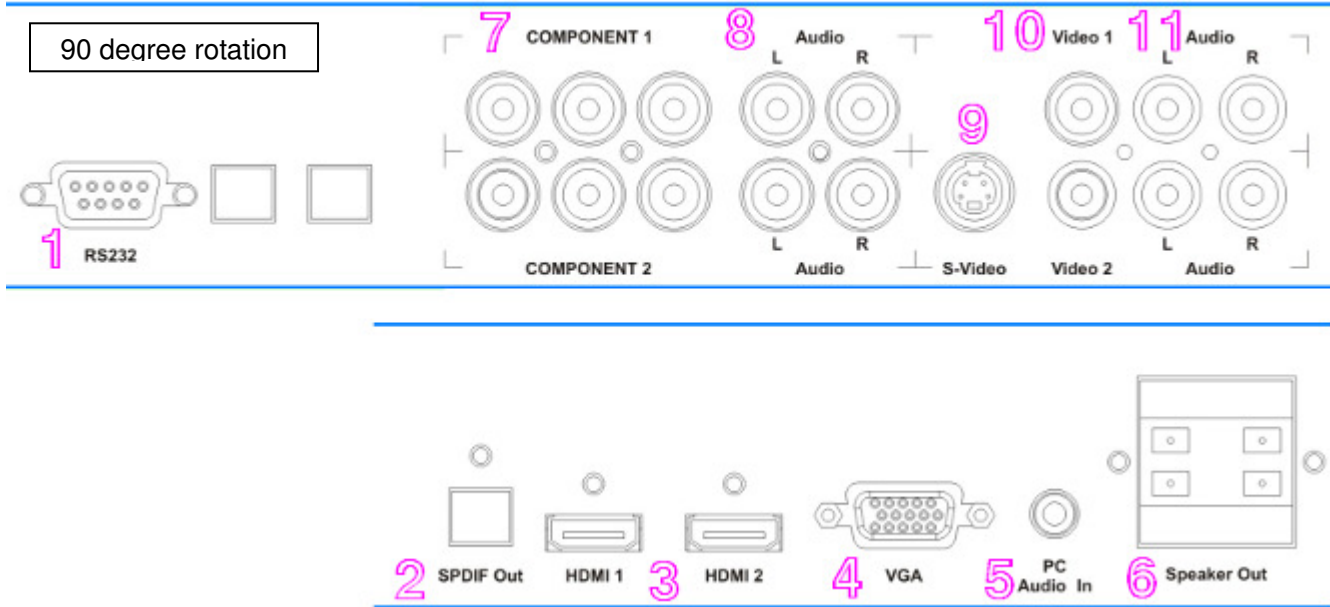
- ◆ Main interface- switch & AC socket. Please see the chapter “Power input-Landscape/Portrait Type ”
- ◆ The side controller of the monitor
- ◆ The remote control (RCU)

Signal Connection

- RS-232C input
- HDMI 1 input
- HDMI 2 input
- RGB (VGA) input
- Component (Y/Pb/Pr) input (Optional)
- S-Video input (Optional)
- AV input (Optional)

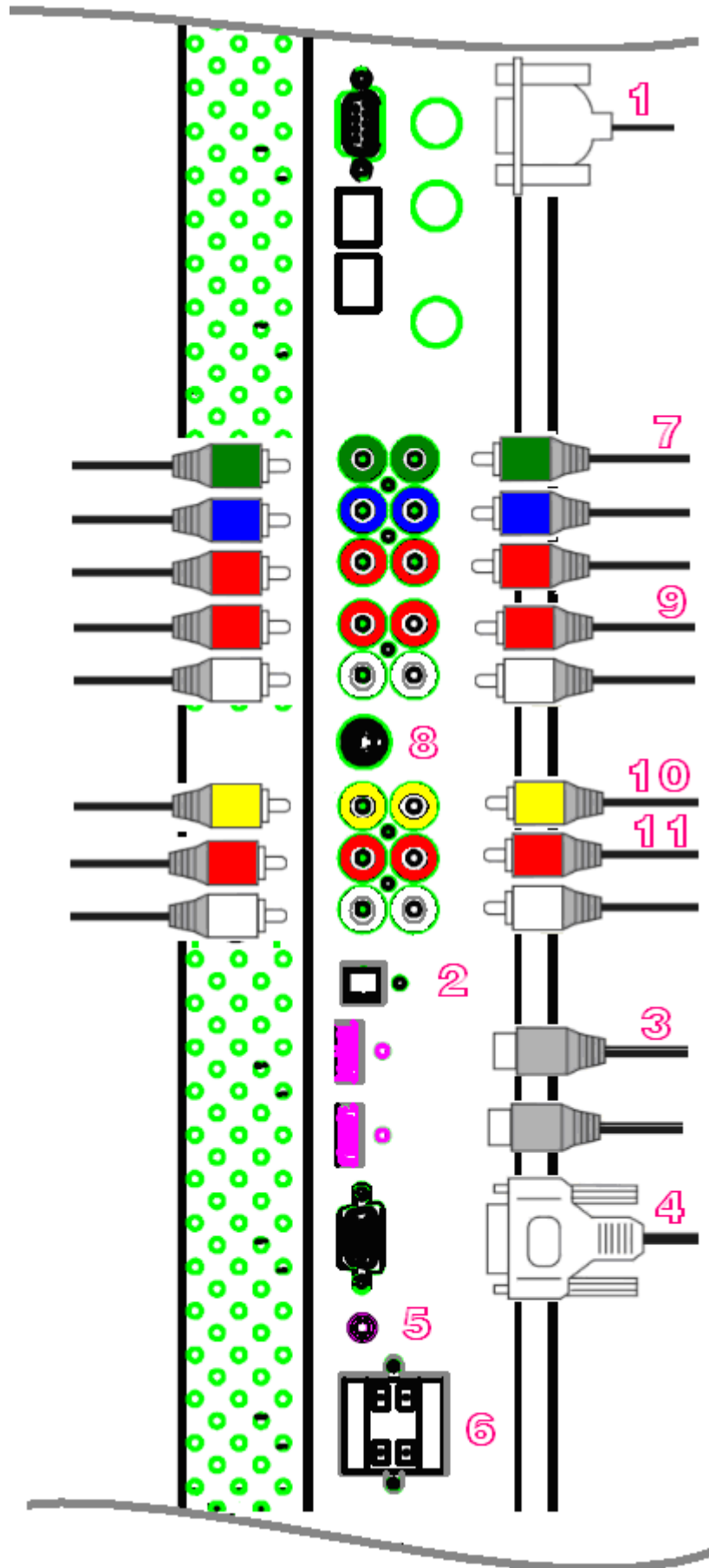
Signal Source Input

Input Interface



NO.	Name	Remarks
1	RS232C-IN input x1	D-Sub 9 pin
2	SPDIP output x1	
3	HDMI input connector x2	
4	VGA(PC) input connector x1	D-Sub 15 pin
5	PC audio in x1	Mini jack
6	Push terminal of External Speaker output X2	
7	Y-Pb-Pr (Y-Cb-Cr) inputs x 2 (Optional)	RCA G/B/R
8	Audio for Component input x2 (Optional)	RCA L/R
9	S-video input connector x1 (Optional)	Mini Din 4 pin
10	Video-IN input connector x2 (Optional)	RCA
11	Audio for Video input x2 (Optional)	RCA L/R
12		
13		

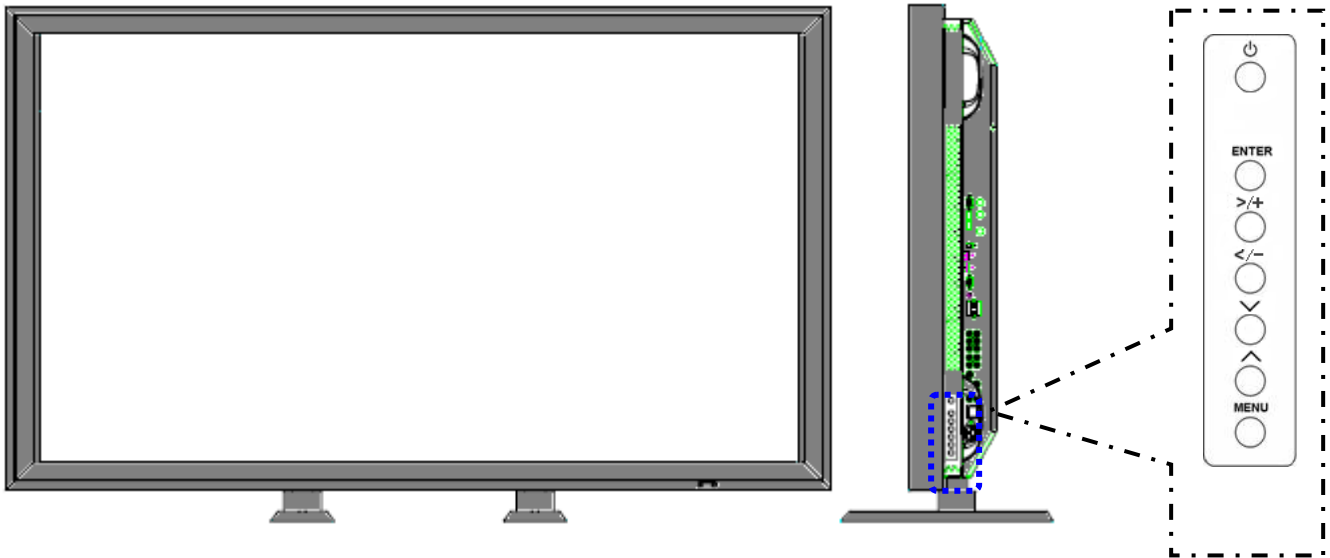
Cable connection



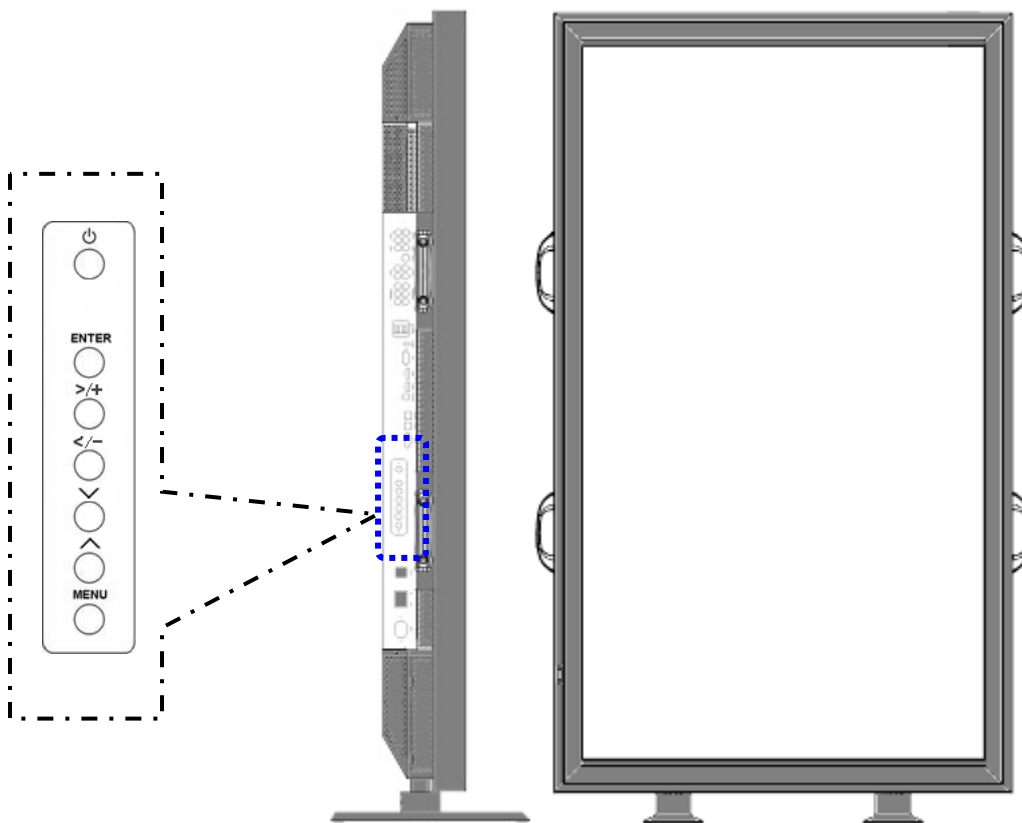
Operating The Monitor

The Side Controller of The Monitor

Landscape Type:

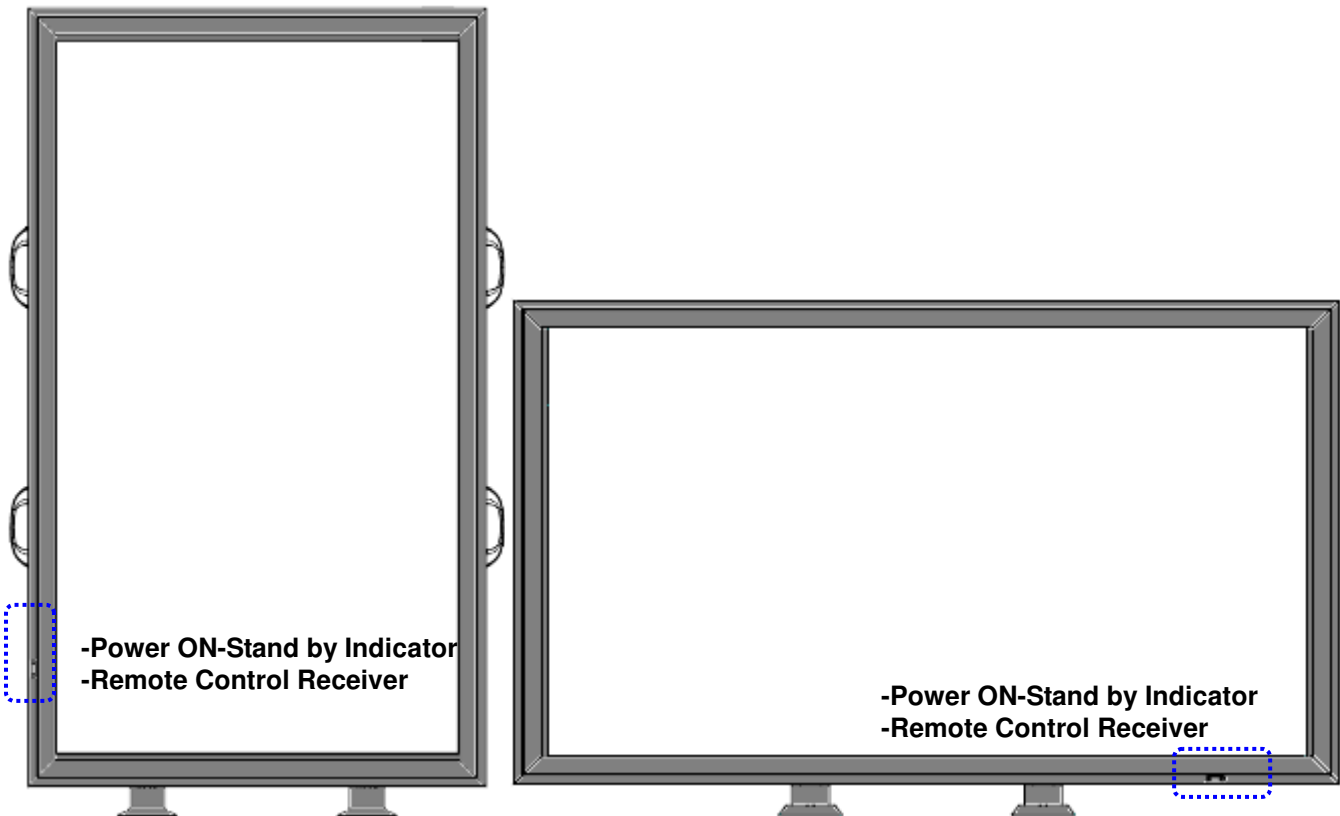


Landscape Type:



OSD Key Pad function List

No.	Key	Description
1	Power	Power Switch ; Power ON/OFF
2	ENTER	Source selection ; Activate selection
3	> / +	Menu right / Value increasing
4	< / -	Menu left / Value decreasing
5	∨	Menu down
6	∧	Menu up
7	MENU	Enter OSD menu / Exit menu or select
OSD lock		Down for 3 Seconds, then pres "enter". (if OSD lock is on, RS232 commands still work)
OSD Unlock		Down for 3 Seconds, then pres "enter". (if OSD lock is on, RS232 commands still work)



LED ON:

Power Status	Condition
Orange	Power off
	Power saving mode
	Select LED on via menu (Front LED: On)
Off	AC off
	Power on

LED OFF:

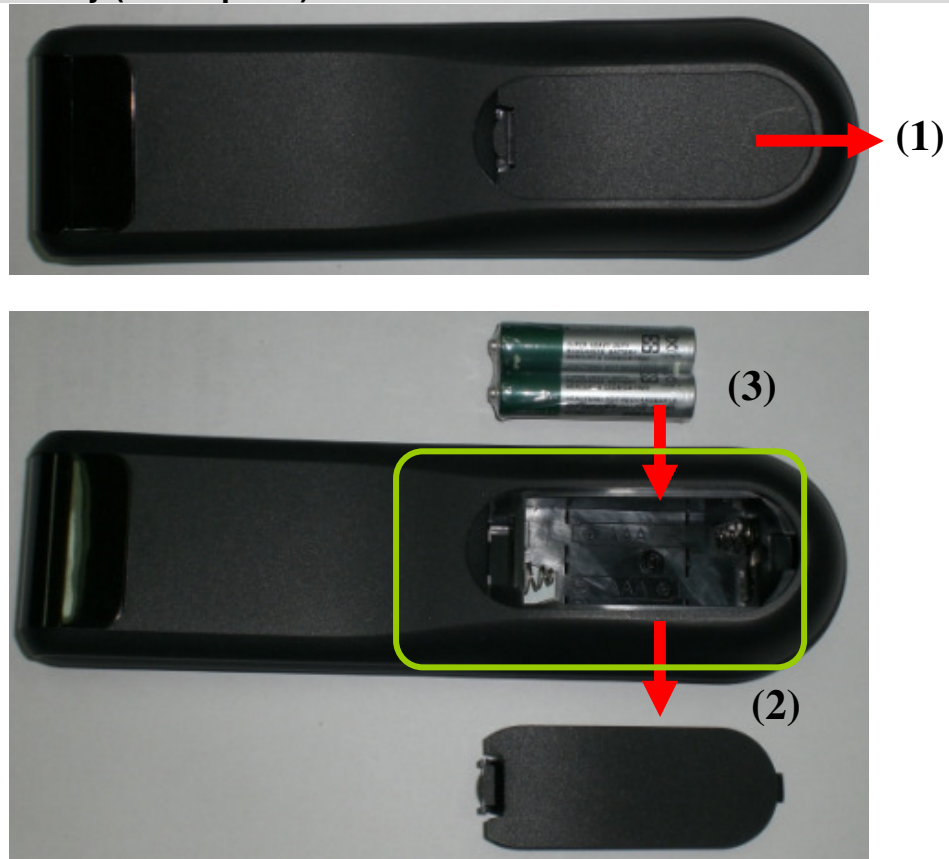
The LED turns completely off when in the "off" mode regardless of the monitor being on or off.

The Remote Control (RCU) Instructions



ITEM	FUNCTION
On	Monitor on
OFF	Monitor off
	Up
	Left
	Right
	Down
ENTER	Enter
MENU	To enter OSD menu
MUTE	Audio mute
Volume +	Volume increase
Volume -	Volume decrease
EXIT	Exit
MODE	To choose display mode (Sport, Theater, Game, Vivid, User defined)
AUTO	Search next active port
INFO	To indicate the status
PIP	To choose PIP/PBP function
SWAP	To exchange PIP/PBP function
16:9	Aspect ratio 16:9
4:3	Aspect ratio 4:3
Letterbox	To choose letterbox aspect ratio
S-Video	To choose S-Video source
AV1	To choose Composite source 1
AV2	To choose Composite source 2
Video 1	To choose Component source 1
Video 2	To choose Component source 2
HDMI 1	To choose HDMI source 1
HDMI 2	To choose HDMI source 2
PC	For VGA choice
Freeze	To freeze the display motion

Change The RCU Battery (RCU option)



- i. Take out the back cover as picture (1).
- ii. Replace with the new batteries as picture (2), 2 batteries(AAA, DC 3V) make sure the polarities of batteries are correct.
- iii. Place the back cover as picture(3).
- iv. Used batteries needed to follow the city rule to be discarded.
- v. Avoid keeping used, old batteries inside the remote control, causing leakage of internal liquid resulting metal rust or fatal damage to the remote control hand unit.
- vi. Battery to be used according to the instruction



CAUTION

- ◆ Risk of explosion if battery is replaced by an incorrect type.
- ◆ Dispose of used batteries according to the instructions.

About the remote controllers

- ◆ Please don't drop, shake or bump.
- ◆ Please don't place on wet materials.
- ◆ Please don't dismantle.
- ◆ Please don't place in locations exposed to high-temperature or high-humidity levels.

Display Mode

Main Source mode

- Select input main source → Select input source form RCU(Remote controller unit) or press “**menu**” to show out the OSD menu form RCU or OSD key pad, then press “**▼**” to select “**Setup**” item, next, press “**▶**” to enter “**Setup**” items, and, press “**▼**” to select “**Main Source Select**” to select the main input source.
- Main source auto detection → Press “Menu” from RCU or OSD key pad. then, press “**▼**” to select “**Setup**” item, and press “**▶**” to enter “**Setup**” item. and press “**▼**” to select “**Main Auto Scan**”, then press “**▶**” “**◀**” to turn on or off the auto detection function.
- Auto adjustment function → Press “**AUTO**” from RCU, or press “**menu**” to show out the OSD menu then press “**▼**” to select “**Display Settings**” item, and press “**▶**” to enter “**Display Settings**” items, then press “**▼**” to select “**Auto Image**” to do auto adjustment function.

PIP(sub source) mode

- Turn on PIP function → Press “**PIP**” from RCU to turn on the PIP OSD menu, and press” **▼**” key to select “**PIP Source select**”, then “**▶**” “**◀**” to select PIP input source.
- PIP source auto detection → Press “**PIP**” from RCU to turn on the PIP OSD menu), and press” **▼**” key to select “**PIP Source detect**”, then “**▶**” “**◀**” to turn on /off the auto detection function.

There is no PIP button on side controller of the monitor.

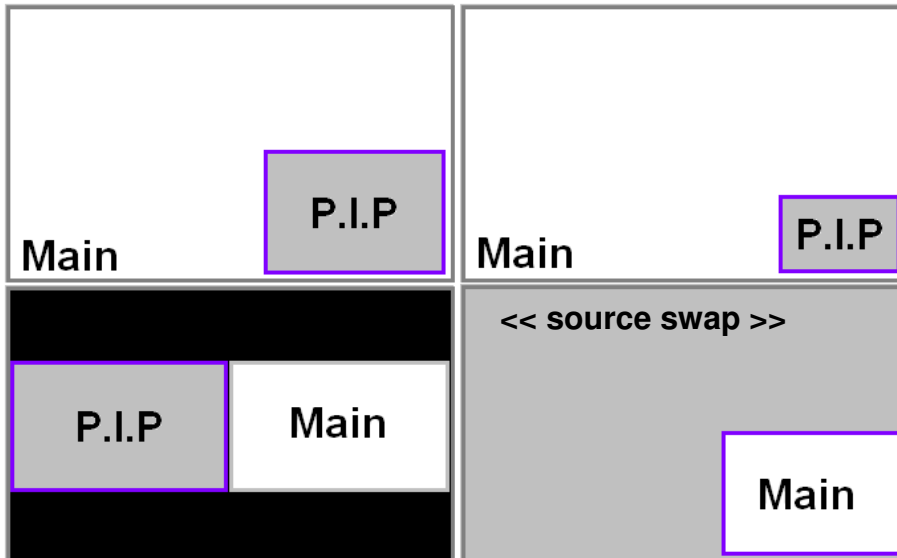
The sub-source changes as the main source changes. (Picture 1)



P.I.P size setting

Press "PIP" from RCU to turn on the PIP OSD menu and press "▼" key to select "PIP Mode", then "▶◀" to select PIP Mode [Off → Large PIP → Small PIP → Side-by-Side (PBP)]

- There are 3 kind of size can be selected-small size, medium size and large size.
- Press "SWAP" button can be swap main source and sub source.



● Main source & sub source selection

Main-Source Sub-source	PC(VGA)	HDMI 1	HDMI 2	Component 1	Component 2	S-Video	AV 1	AV 2
PC(VGA)	----	√	√	√	√	√	√	√
HDMI 1	√	----	----	√	√	√	√	√
HDMI 2	√	----	----	√	√	√	√	√
Component 1	√	√	√	----	----	√	√	√
Component 2	√	√	√	----	----	√	√	√
S-Video	√	√	√	√	√	----	√	√
AV 1	√	√	√	√	√	√	----	----
AV 2	√	√	√	√	√	√	----	----

√ means enable.

---- means disable.

Example:

When main source is VGA, then the sub-source can be select to HDMI 1/2 or Component 1/2.....

When main source is HDMI 1, then the sub-source can be select to VGA or Component 1/2.....

OSD (On Screen Display) Menu Function

PC Mode

Main Menu	Sub-Menu		Description	Setting
Image Settings	Brightness		Adjust the brightness of the screen	0~100
	Contrast		Adjust the contrast of the screen	0~100
	Sharpness		Adjust the sharpness of the screen	0~24
	Reset		Reset to the default value	Yes, No
	Advanced	Gamma		Set the Gamma data
Color Temps			Set the Color Temperature	User, 5000K, 6500K, 7500K, 9300K
Display Settings	Aspect Ratio		Adjust the aspect ratio of the screen.	16:9, 4:3, Letter Box, Native
	Overscan			0~10
	Top Mask			0~100
	Bottom Mask			0~100
	Reset		Reset to the default value	Yes, No
	Auto Image		Select the auto image adjustment	
	Image Position		Adjust the image position	
	Phase		Adjust the phase position	
Audio Settings	Stereo/SAP		Choose the audio mode	Stereo, Mono, SAP
	Bass		Adjust Bass volume	-10~10
	Treble		Adjust Treble volume	-10~10
	Balance		Adjust the balance of the screen	-10~10
	Reset		Reset to the default value	Yes, No
Setup	Main Auto Scan			Off, On
	Main Source Select	Main Source Select	Select main source	Searching PC, HDMI 1, HDMI 2, Video 1, Video 2, AV1, AV2, S-Video,
		Main Source Activate	Activate the main source (Enable or Disable)	PC, HDMI 1, HDMI 2, Video 1, Video 2, AV1, AV2, S-Video,
	PIP Auto Select			Off, On
	PIP Source Select	PIP Source Select	Select PIP source	Searching HDMI 1, HDMI 2, Video 1, Video 2, AV1, AV2, S-Video, PIP Picture Off
		PIP Source Activate	Activate PIP Source(Enable or Disable)	PC, HDMI 1, HDMI 2, Video 1, Video 2, AV1, AV2, S-Video
	PIP Main Swap			
	PIP Mode		Select PIP mode	Off, Large PIP, Small PIP, Side-by-Side
	PIP Position		Adjust PIP position	Bottom-Right, Top-Left, Top-Right, Bottom-Left, User
	PIP Aspect Ratio			16:9, 4:3, Letter Box
	Blank Color		Adjust the background color	Black, Blue
	Front LED		Select the front LED function	Off, On
Factory Reset		Reset to the factory setting	Yes, No	
Menu Settings	Menu Zoom		Sect the menu size	Off, On
	Transparency		Adjust OSD transparency	0~100
	Menu Language		Select the menu language	English

	Menu Timeout		Set the menu timeout period	5~120 (Seconds)
	Menu Position		Adjust the menu position	-50~50 (vertical and horizontal)
	Reset		Reset to the default value	Yes, No
Clock/Timer	Sleep Timer			Off, 15, 30, 60, 90, 120 (Min)
	Status	Resolution	Show resolution status	
		Source	Show source status	
		Version	Show version status	

Video Mode

Main Menu	Sub-Menu	Sub-Submenu	Description	Setting	
Image Settings	Scheme		Choose display mode	User, Sport, Game, Theater, Vivid	
	Brightness		Adjust the brightness of the screen	0~100	
	Contrast		Adjust the contrast of the screen	0~100	
	Saturation		Adjust the picture saturation of the screen	0~100	
	Hue		Adjust the picture hue of the screen	0~100	
	Sharpness		Adjust the sharpness of the screen	0~24	
	Reset		Reset to the default value	Yes, No	
	Advanced	Gamma		Adjust the Gamma level of the screen	1.02,2, 2.5
		Color Temps		Adjust the color temperature of the screen	6500KUser, 5000K, 6500KUser, 9300K, 7500K,9300K
Temporal NR			Adjust the noise deduction	Low, Adaptive, Off, High, Medium,	
MPEG NR			Adjust MPEG NR	0~63	
Display Settings	Aspect Ratio		Adjust the aspect ratio of the screen	16:9, 4:3, Letter Box, Native	
	Overscan		Adjust overscan	0~10	
	Top Mask		Choose top mask	0~100	
	Bottom Mask		Choose bottom mask	0~100	
	Reset		Reset to the default value	Yes, No	
Audio Settings	Stereo/SAP		Choose the audio mode	Stereo, Mono, SAP	
	Bass		Adjust Bass volume	-10~10	
	Treble		Adjust Treble volume	-10~10	
	Balance		Adjust the balance of the screen	-10~10	
	Reset		Reset to the default value	Yes, No	
Setup	Main Auto Scan		Auto Scan	On, Off	
	Main Source Select	Main Source Select	Select Main Source	Searching, PC, HDMI 1, HDMI 2, Video 1, Video 2, AV1, AV2, S-Video	
		Main Source Activate	Active Activate the main source (Enable or Disable)	PC, HDMI 1, HDMI 2, Video 1, Video 2, AV1, AV2, S-Video	
	PIP Auto Scan		Scan PIP automatically	On, Off	
	PIP Source Select	PIP Source Select	Select PIP source	Searching, PC, HDMI 1, HDMI 2, Video 1, Video 2, AV1, AV2, S-Video, PIP Picture Off	

		PIP Source Activate	Active PIP source (Enable or Disable)	PC, HDMI 1, HDMI 2, Video 1, Video 2, AV1, AV2, S-Video
	PIP Main Swap		Swap Main PIP	
	PIP Mode		Select PIP mode	Off, Large PIP, Small PIP, Side-by-Side
	PIP Position		Adjust PIP position	Bottom-Right, Top-Left, Top-Right, Bottom-Left, User
	PIP Aspect Ratio			16:9, 4:3, Letter box
	Blank Color		Adjust the background color	Black, Blue
	Front LED		Select the front LED function	Off, On
	Factory Reset		Reset all to the factory settings	Yes, No
Menu Settings	Menu Zoom		Sect the menu size	Off, On
	Transparency		Adjust the transparency of the OSD screen OSD transparency	0~100
	Menu Language		Select the menu language	English
	Menu Timeout		Set the menu timeout period	5~120 (Seconds)
	Menu Position		Adjust the menu position	-50~50 (vertical and horizontal)
	Reset		Reset to the default value	Yes, No
Clock/Timer	Sleep Timer			Off, 15, 30, 60, 90, 120 (Minutes)
	Status	Resolution	Show resolution status	
		Source	Show source status	
		Version	Show firmware version status	

Structure of OSD Menu (PC Mode)

A. Image Setting

◆ **On side of controller:**

1. Press the “**MENU/EXIT**” to enter “Image Setting” item.
2. Press “**▷**” to enter sub-item menu (Brightness, contrast...),
3. Press “**▽**” or “**△**” to select items.
4. Press “**▷**” to enter sub-item for adjustment.
5. Press “**▷**” or “**◁**” to adjust.
6. Press “**MENU/EXIT**” to exit the item and save the adjusted value.

◆ **On remote control REMOTE CONTROL:**

1. Press the “**MENU**” to enter “Image Setting” item.
2. Press “**▷**” to enter sub-item menu (Brightness, contrast...)
3. Press “**▽**” or “**△**” to select items.
4. Press “**ENTER**” to enter sub-item for adjustment.
5. Press “**▷**” or “**◁**” to adjust.
6. Press “**EXIT**” to exit the item and save the adjusted value.



B. Display Setting

◆ **On side of controller:**

1. Press the “**MENU/EXIT**” to enter “Image Display Settings” item.
2. Press “**▷**” to enter sub-item menu.
3. Press “**▽**” or “**△**” to select items.
4. Press “**▷**” to enter sub-item for adjustment.
5. Press “**▷**” or “**◁**” to adjust.
6. Press “**MENU/EXIT**” to exit the item and save the adjusted value.

◆ **On REMOTE CONTROL remote control:**

1. Press the “**MENU**” to enter “Image Display Settings” item.
2. Press “**▷**” to enter sub-item menu.
3. Press “**▽**” or “**△**” to select items.
4. Press “**ENTER**” to enter sub-item for adjustment.
5. Press “**▷**” or “**◁**” to adjust.
6. Press “**EXIT**” to exit the item and save the adjusted value.



C. Audio Setting

◆ On side of controller:

1. Press the **"MENU/EXIT"** to enter "ImageAudio Settings" item.
2. Press **"▷"** to enter sub-item menu.
3. Press **"▽"** or **"△"** to select items.
4. Press **"▷"** to enter sub-item for adjustment.
5. Press **"▷"** or **"◁"** to adjust.
6. Press **"MENU/EXIT"** to exit the item and save the adjusted value.

◆ On REMOTE CONTROLremote control:

1. Press the **"MENU"** to enter "AudioImage Settings" item.
2. Press **"▷"** to enter sub-item menu.
3. Press **"▽"** or **"△"** to select items.
4. Press **"ENTER"** to enter sub-item for adjustment.
5. Press **"▷"** or **"◁"** to adjust.
6. Press **"EXIT"** to exit the item and save the adjusted value.



D. Setup

◆ On side of controller:

1. Press the **"MENU/EXIT"** to enter "Image SettingSetup" item.
2. Press **"▷"** to enter sub-item menu.
3. Press **"▽"** or **"△"** to select items.
4. Press **"▷"** to enter sub-item for adjustment.
5. Press **"▷"** or **"◁"** to adjust.
6. Press **"MENU/EXIT"** to exit the item and save the adjusted value.

◆ On REMOTE CONTROL:

1. Press the **"MENU"** to enter "Image SettingSetup" item.
2. Press **"▷"** to enter sub-item menu.
3. Press **"▽"** or **"△"** to select items.
4. Press **"ENTER"** to enter sub-item for adjustment.
5. Press **"▷"** or **"◁"** to adjust.
6. Press **"EXIT"** to exit the item and save the adjusted value.



E. Menu Setting

◆ On side of controller:

1. Press the **"MENU/EXIT"** to enter "Image Menu Settings" item.
2. Press **"▷"** to enter sub-item menu.
3. Press **"▽"** or **"△"** to select items.
4. Press **"▷"** to enter sub-item for adjustment.
5. Press **"▷"** or **"◁"** to adjust.
6. Press **"MENU/EXIT"** to exit the item and save the adjusted value.

◆ On REMOTE CONTROL:

1. Press the **"MENU"** to enter "Image Menu Settings" item.
2. Press **"▷"** to enter sub-item menu.
3. Press **"▽"** or **"△"** to select items.
4. Press **"ENTER"** to enter sub-item for adjustment.
5. Press **"▷"** or **"◁"** to adjust.
6. Press **"EXIT"** to exit the item and save the adjusted value.



F. Clock/Timer Setting

◆ On side of controller:

1. Press the **"MENU/EXIT"** to enter "Clock/Timer" item.
2. Press **"▷"** to enter sub-item menu.
3. Press **"▽"** or **"△"** to select items.
4. Press **"▷"** to enter sub-item for adjustment.
5. Press **"▷"** or **"◁"** to adjust.
6. Press **"MENU/EXIT"** to exit the item and save the adjusted value.

◆ On REMOTE CONTROL:

1. Press the **"MENU"** to enter "Clock/Timer" item.
2. Press **"▷"** to enter sub-item menu.
3. Press **"▽"** or **"△"** to select items.
4. Press **"ENTER"** to enter sub-item for adjustment.
5. Press **"▷"** or **"◁"** to adjust.
6. Press **"EXIT"** to exit the item and save the adjusted value



Default Setting

Item	Default Value
Brightness	47
Scheme	Vivid
Contrast	45
Hue	50
Saturation	55
Sharpness	14
Color temp.	7500K
Red	50
Green	50
Blue	50
Language	English
Gamma	2.2
Over-scan	0%
OSD lockout	ON
Auto Scan	Off
DPMS mode	On Wait 30 seconds, then go to sleep, Wake from HDMI signal
Default input	HDMI 1
Power status	On

Supported Timing

PC Mode (VGA Mode)

Item	Resolution	fH (kHz)	fV (Hz)	Dot clock (MHz)
VESA	VGA 640x480	31.469	59.940	25.175
		37.861	72.809	31.500
		37.500	75.000	31.500
		43.269	85.010	36.000
	SVGA 800x600	35.156	56.250	36.000
		37.879	60.317	40.000
		48.077	72.188	50.000
		46.875	75.000	49.500
		53.674	85.06	56.250
	XGA 1024x768	48.363	60.004	65.000
		56.476	70.069	75.000
		60.023	75.029	78.750
	WXGA 1360x768	68.677	85.00	94.500
		47.72	59.98	84.75
	SXGA 1152x864	53.7	60.00	81.642
		67.500	75.000	108.000
	SXGA 1280x1024	63.981	60.020	108.000
		79.976	75.025	135.000
		91.146	85.02	157.500
	UXGA 1600x1200	75.00	60.00	162
SXGA+ 1400x1050	65.317	59.978	121.750	
1280x720	44.772	59.855	74.50	
	56.456	74.777	95.75	
	64.398	84.846	110.25	
1280x768	47.776	59.870	79.500	
	60.289	74.893	102.25	
	68.633	84.837	117.500	

HDMI Mode

Item	Resolution	fH (kHz)	fV (Hz)	Dot clock (MHz)
VESA	VGA 640x480	31.469	59.940	25.175
		37.861	72.809	31.500
		37.500	75.000	31.500
		35.156	56.250	36.000
	SVGA 800x600	37.879	60.317	40.000
		48.077	72.188	50.000
		46.875	75.000	49.500
		48.363	60.004	65.000
		56.476	70.069	75.000
	XGA 1024x768	60.023	75.029	78.750
67.5		75	108	
SXGA 1152x864	63.981	60.02	108	
	79.976	75.025	135	
EDTV	480p59	31.469	59.94	27
	480p60	31.5	60	27.027
	576p50	31.25	50	27
HDTV	720p 1280x720	37.500	50	74.25
		45.000	60	74.250
		44.995	59.94	74.176
	1080i 1920x1080	28.13	50.00	74.25
		33.716	59.94	74.176
		33.750	60	74.25
	1080p 1920x1080	27	24	74.25
		33.75	30	74.25
		67.432	59.939	148.35
	67.5	60	148.35	

Specification

ST-HB65A5X-Landscape

Item		Specification	Unit
LCD panel	Resolution	HDTV format 1920 x 1080	-
	Brightness	Typ.400	Nits
	Contrast Ratio	Typ.2000:1	
	Response time	Typ. 6.5 ms(Gray to Gray)	ms
	Aspect Ratio	16 : 9	
Graphic	Horizontal Sync.	Positive / Negative	-
	Vertical Sync.	Positive / Negative	-
	Input Connector	HDMI1, HDMI2(Note 1), PC (with PC Audio In)*, S-PDIF*, External SPK R/L OUT*	-
Scan Rate	Horizontal	26~91	KHz
	Vertical	48~85	Hz
Performance	Auto Adjust	Clock, Phase, H-Position & V- Position	-
	Screen Scaling	VGA/SVGA/XGA/WXGA/HDTV Full Screen Display	-
	Power Management	VESA DPMS, DVI DMPM	-
	OSD Language	English	-
Power source	Power Input	AC100~240V (Worldwide)	V
Power consumption	Operation Mode	Typ. 640	W
	Power Saving Mode	Typ. 8	W
	Input Frequency Range	50-60	Hz
	Rated Input Volt	100~240	Vac
Physical	Dimension w/ stand (WxHxD)	1564.3 x 974.4 x 400	mm
	w/o stand	1564.3 x 916 x 166.8	
	Net weight	88	KG
	Gross weight	114	KG
Environment	Operating Temper	Min 5 ~ Max 40	°C
DDC	Plug & Play	DDC 2Bi Compliance	-
Function	OSD key	7 keys with lockout	Key
	Wall mount	VESA standard 400x440, 400x800 with M8 screw hole	mm
	RS232	2-way control, communication, firmware upgrade	-
Audio Amplifier*	Max Input Channel/Each channel	2.5	Vpp
	Channel	2	
	Input Impedance	40	KΩ
	Po (@Vin=1Vpp,RL= 4 Ohm)	10	W
	THD	<10	%
	B.W.	20~20K	Hz
	Adjustment	Linear	

ST-HB65A5X-Portrait

Item		Specification	Unit
LCD panel	Resolution	1080 x 1920	-
	Brightness	Typ.400	Nits
	Contrast Ratio	Typ.2000:1	
	Response time	Typ. 6.5 ms(Gray to Gray)	ms
	Aspect Ratio	9 : 16	
Graphic	Horizontal Sync.	Positive / Negative	-
	Vertical Sync.	Positive / Negative	-
	Input Connector	HDMI1, HDMI2(Note 1), PC (with PC Audio In)*, S-PDIF*, External SPK R/L OUT*	-
Scan Rate	Horizontal	26~91	KHz
	Vertical	48~85	Hz
Performance	Auto Adjust	Clock, Phase, H-Position & V- Position	-
	Screen Scaling	VGA/SVGA/XGA/WXGA/HDTV Full Screen Display	-
	Power Management	VESA DPMS, DVI DMPM	-
	OSD Language	English	-
Power source	Power Input	AC100~240V (Worldwide)	V
Power consumption	Operation Mode	Typ. 640	W
	Power Saving Mode	Typ. 8	W
	Input Frequency Range	50-60	Hz
	Rated Input Volt	100~240	Vac
Physical	Dimension w/ stand (WxHxD)	985.7 x 1625.7 x166.8	mm
	w/o stand	985.7 x 1564 x 166.8	
	Net weight	88	KG
	Gross weight	114	KG
Environment	Operating Temper	Min 5 ~ Max 40	°C
DDC	Plug & Play	DDC 2Bi Compliance	-
Function	OSD key	7 keys with lockout	Key
	Wall mount	VESA standard 400x440 with M8 screw hole	mm
	RS232	2-way control, communication, firmware upgrade	-
Audio Amplifier*	Max Input Channel/Each channel	2.5	Vpp
	Channel	2	
	Input Impedance	40	KΩ
	Po (@Vin=1Vpp,RL= 4 Ohm)	10	W
	THD	<10	%
	B.W.	20~20K	Hz
	Adjustment	Linear	

Troubleshooting

Before calling service personnel, please check the following chart for a possible cause to the trouble you are experiencing.

- ◆ Perform the adjustments according to page 10 “Operation The Monitor”
- ◆ Refer to the following items if you can't find a proper item listed in the Operating the Monitor or if the problem remain.
- ◆ if the problem you have experienced isn't described below or you can't correct the problem, stop using the monitor and call service personnel or your dealer.

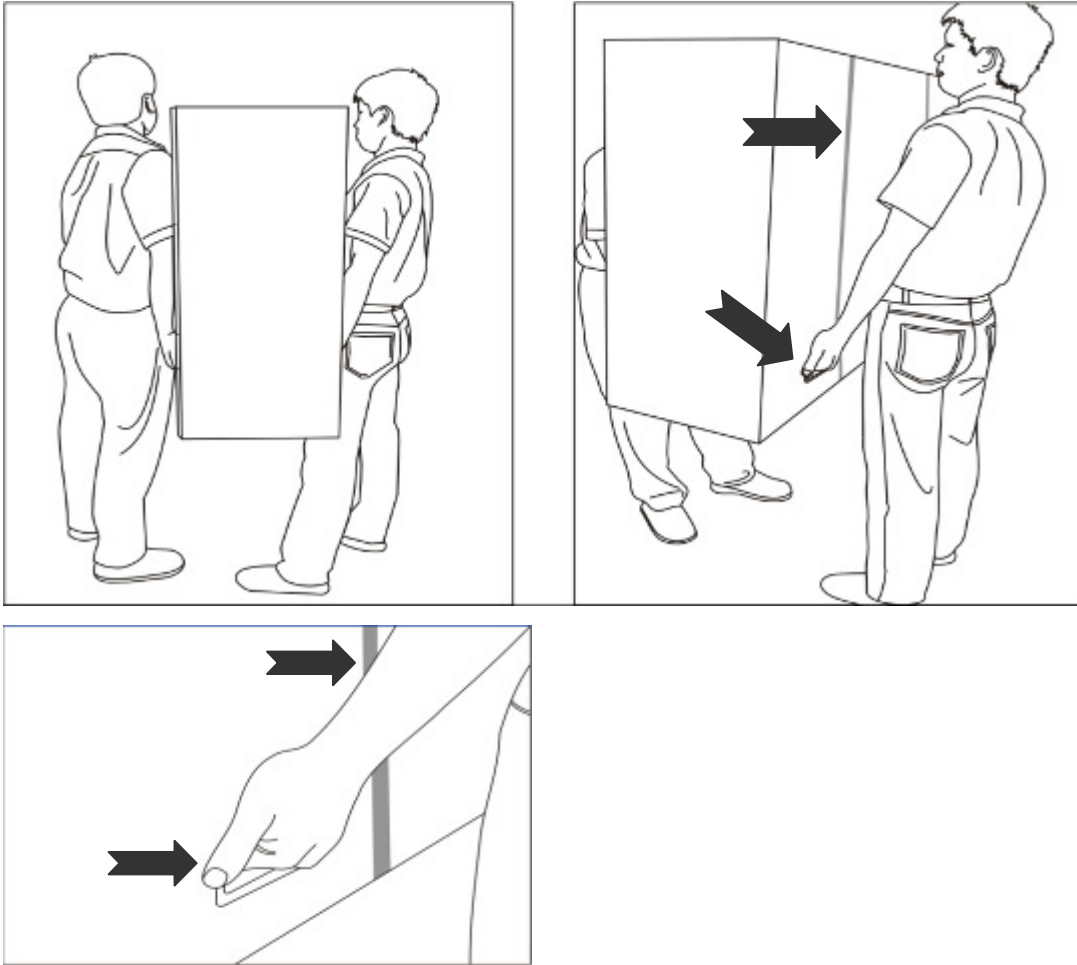
Problem	Check these things
No Display	Check the power plug insert on wall outlet.. Check the main power switch If AC socket is OK, please check another set of equipment. Check input signal, the signal may not be suitable.
Display is not in the center.	If the signal timing of the computer is within the spec.
Display is shaking.	If the signal timing of the computer is within the spec.
The remote control doesn't work	Make sure the battery is inserted matching the + and – marks of the battery compartment. The battery may be exhausted.. Use the remote control aiming at the remote control sensor.
The picture color is pale, or not clear	Check picture quality to adjust. If you are using YUV terminals, make sure cables are correctly connected.

CHI LIN TECHNOLOGY CO.,LTD.

Appendix I

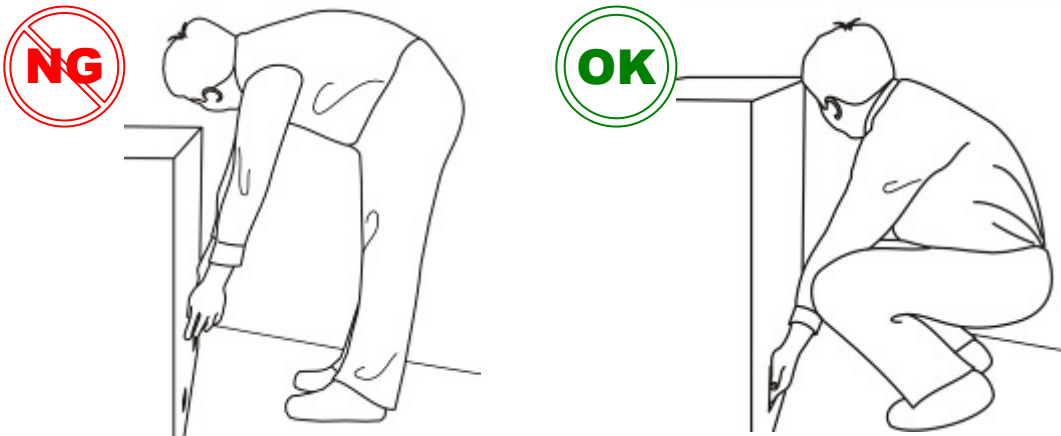
◆ Moving Notice:

Moving the monitor requires at least two people. If not, it may drop and a serious injury may result. Moving/shipping the monitor, please hold the white handles and be sure to make the bundle. If not, it may drop and a serious injury may result. Please see as below pictures.



◆ Carrying Notice :

This monitor is heavy, please follow as below instruction, when you ready to carry the monitor. If not, it may cause an injury.



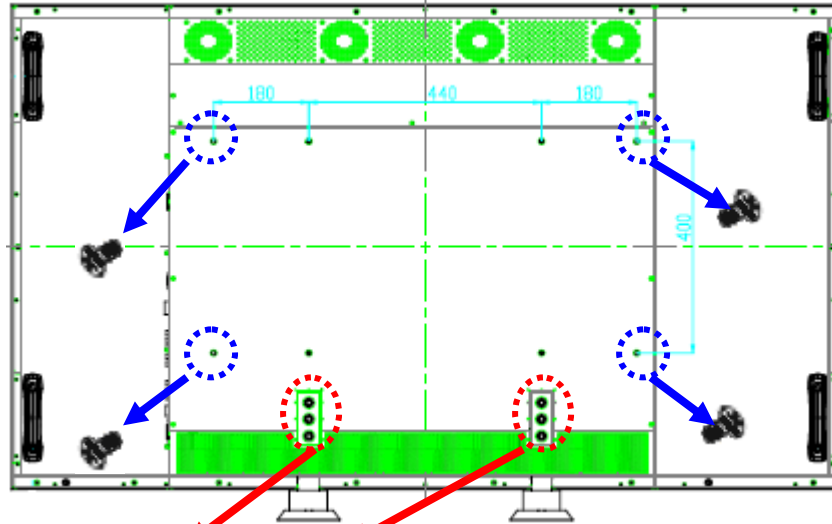
Appendix II

1. Installation Wall Mount kit

- ✓The installation, please follow this manual instructions and refer all servicing to qualified service personnel.
- ✓Moving the monitor requires at least two people. If not, it may drop and a serious injury may result.
- ✓Before installing, please check the installing manual in wall mount kit box.
- ✓Before installing, please make sure the wall is strong enough ex. a solid cement wall.

Step1. Keep the display facing the ground and place it on a flat object.

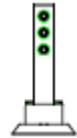
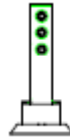
Step2. Unscrew 6 screws of stand and unscrew 4 screws form rear cover.



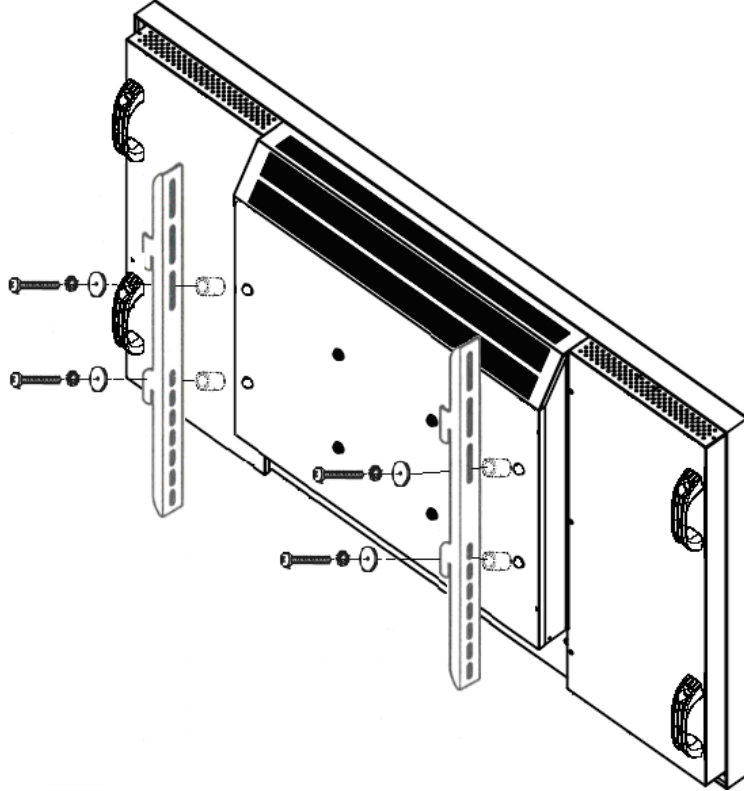
Step 3. Take the stand off.



Stand Screws x 6pcs



Step 4. Install the wall mounting BKT.



Step 5. Install the mounting unit.
Please follow the installing manual in wall mount kit box.

