

# H Series Class 100 Meter

## SINGLE PHASE kWh METER

### INSTALLATION INSTRUCTIONS



# TABLE OF CONTENTS

Section 1.0	Pre-Installation Information	3
Section 1.1	Internal Electronic Assemblies	4
Section 1.2	Main Power Board	5
Section 1.3	Display Board	5
Section 2.0	Safety Label Definitions and Information	5
Section 3.0	Precautionary and Safety Information	6
Section 4.0	Meter Installation	7
Section 4.1	Mounting the Meter	7
Section 4.2	Main Power Board Connections	7
Section 4.3	Current Sensor Installation & Wiring	10
Section 4.4	Installing the Split-Core Current Sensor Assembly	11
Section 4.5	Current Sensor Wiring	12
Section 4.6	MAINS Line Voltage & Current Sensor Wiring Diagrams	13
Section 4.7	Line Voltage/Current Sensor Diagnostic	14
Section 4.8	Final Main Board Checks	15
Section 5.0	Monitoring Multiple Loads with One Meter	16
Section 6.0	KWh Meter Features & Functions	18
Section 6.1	KWh Meter Display Functions	18
Section 6.2	How to Read the kWh Meter	19
Section 6.3	KWh Meter Hardware Functions	20
Section 7.0	Preventative/Scheduled Maintenance	22
Section 8.0	Troubleshooting Guide	23
Section 9.0	Frequently Asked Questions	24
Section 10.0	Meter Technical Specifications	26

## 1.0 Pre-Installation Information

The Honeywell Class 100 kWh meter is a 2-element meter used to monitor electric power usage of individual loads after the utility meter. **Installation must only be performed by qualified personnel and in accordance with these instructions and all applicable local and national electrical codes.** Honeywell nor its representatives assume no responsibility for damages or injury resulting from the improper installation of this meter.

Meters are supplied in a UL Type 1 steel enclosure appropriate for indoor installation where it will not be affected by the elements, such as moisture and extreme temperatures.

Units designated by the “R” suffix on the model number have an extended environmental operating range and are enclosed in a Type 4X enclosure to accommodate outdoor environments.

Verify the input voltage rating and configuration on the meter label to ensure it is suitable for the intended electrical services. Class 100 meters labeled for 120/208V service **MUST NOT** be installed on service feeds of 277 and vice versa.

Verify the current sensors are sized suitably for the load to be monitored. Compare the color of the arrows on the current sensors to the chart below to confirm the correct current sensor is being used.

**Table 1. Sensor Arrow Color Code**

Sensor Arrow Color Code	Sensor Rating
Brown	100 Amp
Red	200 Amp

Internal circuit card components are extremely sensitive to electrostatic discharge. Prior to handling or touching internal circuitry, discharge any static buildup on your person. To discharge yourself, touch a grounded metal object such as conduit or an earth grounded+ metal enclosure.

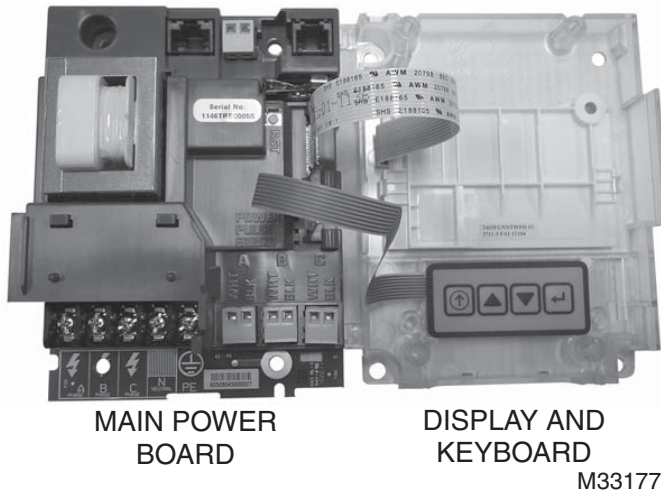


## WARNING

Use of this instrument, Class 100, in a manner inconsistent with this manual or not specified by the manufacturer in writing, can cause permanent damage to the unit and/or serious injury to the operator. The protection and safety features provided by this equipment may become impaired or otherwise compromised.

**NOTE:** If any trouble arises during installation or functional verification operations, do not immediately remove unit. Before removing the unit, contact the technical support department. The technical department will assist you in detailed troubleshooting of the Class 100 installation.

## 1.1. Internal Electronic Assemblies



**Fig. 1. Main Power Supply Board & Display Board**

The unit is comprised of a Main Power Board and Display and Keyboard. All component cards are mounted inside a UL Type 1 (standard) or Type 4X (optional) enclosure.

**NOTE:** Units are supplied in a UL Type 1 metal enclosure suitable for indoor applications only. Units supplied in the optional Type 4X fiberglass enclosure are suitable for either indoor or outdoor applications, within the defined specifications. Refer to Section 12.0 for a definition of suitable environmental conditions for indoor and outdoor units.

## 1.2 Main Power Board

Connections to this board include the MAINS Input Voltage, Current Sensors, external IDR interface and Isolated Pulse Output. The MAINS input terminals are covered with a protective shield for safety purposes. The current sensor assemblies interface to three header connectors labeled A, B, and C along with conductor color indication. Each header connector input corresponds to an input voltage phase, so care must be taken to ensure each current sensor is connected to the correct input header. **TB4 is not to be used as an input on the Class 100 meter.**

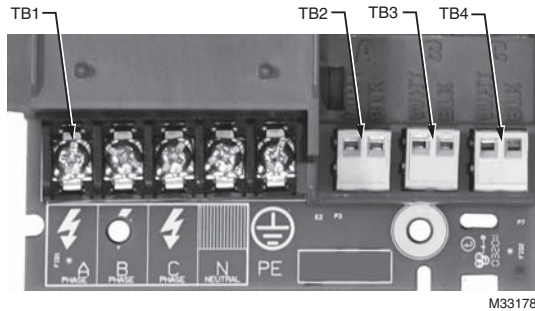


Fig. 2. Standard Configuration

## 1.3 Display Board

The display board connects to the main power board via a flex-ribbon cable and the board is mounted on the inside of the enclosure door. The display board LCD readout indicates the cumulative kWh and instantaneous kW value.

## 2.0 SAFETY LABEL DEFINITIONS AND INFORMATION

The Green Class meter may contain one or more of the following labels. Operator(s) should familiarize themselves with the meaning of each label to minimize risk.



The presence of this label is a cautionary indicator identifying a danger risk. The manual should be consulted prior to proceeding.



The presence of this label indicates an electrical shock hazard exists in the location or area where the label is placed. Prior to proceeding, the MAINS power must be disconnected and the manual consulted for safety information.

## 3.0 PRECAUTIONARY AND SAFETY INFORMATION



### CAUTION

Internal circuit card components are extremely sensitive to electrostatic discharge. Be careful not to touch internal circuitry prior to discharging any static buildup on your person. To discharge yourself, touch a grounded metal object such as conduit or an earth-grounded metal enclosure.



### WARNING

High voltages present on main PCB terminal block screw terminals. Risk of serious injury and/or electrical shock exists. Prior to performing any wiring operations, review all contents of the user manual and de-energize the MAINS power switch. Only qualified personnel should perform installation wiring. Installation wiring must comply with all local and national electrical codes.



### WARNING

Failure to ground the enclosure creates a possible shock hazard. Do not operate the Class 100 meter without a protective earth wire attached securely to the PE terminal screw. After installing protective earth wiring, secure the screw tightly (7 in-lbs torque.)



### WARNING

NEVER open front panel of unit while unit has MAINS power applied. Failure to comply can increase the risk of serious injury and/or electrical shock.

## 4.0 METER INSTALLATION

### 4.1 Mounting the Meter

STEP 1: Using the appropriate sized mounting hardware, fasten the Class 100 meter enclosure to the selected mounting surface. The four mounting holes are centered 6.75" H x 4" W. The mounting hole spacing is identical for either the UL Type 1 or Type 4X enclosure.

**NOTE:** Only the Type 4X enclosed unit is suitable for outdoor environmental conditions. Units housed in UL Type 1 enclosures must only be installed in indoor environments where it will not be affected by the elements, such as moisture and extreme temperatures.

### 4.2 Main Power Board Connections

STEP 1: Install a temporary ground for ESD (Electrostatic Discharge) protection. With all circuits de-energized, connect a temporary protective earth ground connection for ESD protection. Prior to performing any unit wiring, be sure to discharge any static on your person.

STEP 2: Install the Class 100 Protective Earth Ground. Connect an earth ground wire to the Class 100 protective earth ground terminal screw located on the right side of the line voltage terminal block. After installing the protective earth ground wire, securely fasten the protective earth ground screw.



## WARNING

**Failure to attach the protective earth ground wire securely to the enclosure creates a potential shock hazard. Do not operate the Class 100 meter without a protective earth ground connection securely installed**

STEP 3: Wire Entry: Two openings exist on the unit enclosure, one for 1/2" conduit and one for 3/4" conduit. The 3/4" conduit opening located on the bottom of the enclosure is used to bring in MAINS Power (voltage lines to power meter) and current sensor wiring. The 1/2" conduit opening located on the top of the enclosure is used to interface low voltage signals, such as the IDR interface and isolated pulse output. (Outdoor enclosures equipped with one 3/4" conduit opening on bottom of enclosure only.)

Route the appropriate cabling to and through the respective enclosure opening. The conduit and fittings interfacing the enclosure entrances must be UL listed and properly sized to the enclosure port diameter. The interfacing fitting must use a gasketed seal ring to interface between the conduit fitting and the enclosure entry point. After installing the conduit fitting and conduit, verify that the conduit fittings are aligned properly to their respective enclosure entrance ports and tightened securely to prevent moisture entry. VERIFY that each conduit slip nut is securely tightened to its respective conduit fitting.

Outdoor applications require the use of the optional Type 4X enclosure. The same principles outlined for indoor meter installations as defined in the above paragraph carry over and apply to outdoor installations with one exception. This exception is that the conduit and fittings for outdoor installations require an outdoor material rating and UL approval for 4X applications.

STEP 4: Unit MAINS Wiring (Voltage Wiring Connections): Remove the shield located over phase A, B and C screw terminals on the main power board. This shield can be removed by pulling back on the latch on the right side of the shield and lifting up on the front. Wire each connection to the terminal block with stranded wire 14-12 AWG, rated at 600 VAC.

Strip back all wire insulation to expose between 1/4" to 3/8" of the copper conductors. Gently twist each wire to prevent fraying. Insert the conductors into their respective terminal block position and tighten down the terminal block screw to 7 in-lb of torque. The terminal block is clearly labeled PHASE A, PHASE B, PHASE C and NEUTRAL. Phase C is not used on single phase circuits.

Connect the NEUTRAL wire to the appropriate terminal block position.

Connect the AC mains power wires (Phase A and Phase B) to their respective positions as labeled on the terminal block. Also connect the neutral wire.



After all conductors are connected to their respective terminal block positions and tightened down, verify that each terminal block screw is securely fastened by gently tugging on each conductor. Verify that no conductor wires are frayed or are shorting to adjacent terminal block positions.

**STEP 5: External Switch Mechanism/In-Line Fuse Installation** To ensure a safe installation, the Class 100 meter requires an external switch mechanism, such as a circuit breaker, be installed on the Class 100 MAINS input wiring. The switch mechanism must be installed in close proximity to the meter and easily reachable for the operator. This device must also be marked as the disconnecting device for the Class 100 meter.

Install 1/10 Amp Slow Activation in line fuses with the suitable voltage rating for each conductor phase at the MAINS input to the meter. The fuses must be labeled to indicate voltage and current rating as well as element characteristics. The fuse element must be slow activating type.

**STEP 6:** Once the MAINS wiring is complete, replace the clear lexan protective shield over terminal block TB1 and close the enclosure front panel. Secure the enclosure cover using the locking mechanism. Activate the external circuit breaker or equivalent switch to apply AC MAINS power to the unit.

The Class 100 meter display should turn on and indicate total kWh accumulation reading and KW load. The display will cycle between the two readings.

**STEP 7:** Using an AC Voltmeter, verify the input voltage readings are within the limits specified below.

**NOTE: Single Phase systems, the voltages are measured Phase to Neutral.**

<b>Meter Input Voltage Configuration</b>	<b>Nominal Voltage</b>	<b>Limits (+/- 10%)</b>
120/208V, 2 Ph, 3 Wire	120 VAC	108 to 132 VAC
120/240V, 2 Ph, 3 Wire	120 VAC	108 to 132 VAC
277V, 1 Ph, 2 Wire	277 VAC	250 to 304 VAC

**Step 8:** Remove power from the unit by de-energizing the external switch.

## **4.3 Current Sensor Installation & Wiring**

Once the AC voltages have been confirmed to be within acceptable limits, you are ready to install the current sensors. The MAIN power board contains three header connectors located at the bottom right of the board. The connectors are labeled A, B, and C along with conductor color indication. This format must be followed in order for the meter to function correctly. (Phase C is not used.)

The Class 100 meter will be used with Split-Core Current Sensors. The sensor opens so that it can be attached around the circuit conductor being monitored without interrupting power. Unless otherwise specified, all Class 100 meters are supplied with this sensor type.

The sensor outputs a 0-2 VAC signal proportional to the current being measured.

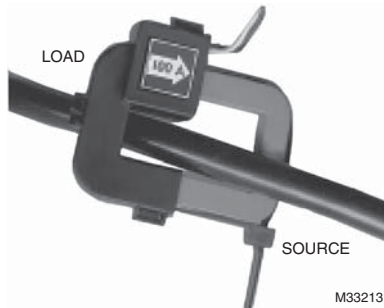
## 4.4 Installing the Split-Core Current Sensor Assembly

STEP 1: Each phase being monitored will require one two-piece current sensor assembly. Therefore, a three-phase meter will require three (3) assemblies. Open the two-piece current sensor assembly by releasing the nylon clamp using a flat head screwdriver.



**Fig. 3. Split-Core Current Sensor**

STEP 2: Reassemble the current sensor assembly around the conductor(s) to be monitored. Ensure the current sensor halves marked "Load" are both facing the load side of the conductor. The colored arrow will be on the source side of the conductor being monitored and MUST be pointed in a clockwise direction around the conductor around the conductor being monitored. Tighten the nylon clamp to complete the assembly.



**Fig. 4. Colored Arrow Will Be On The Source Side**

**IMPORTANT:**

*When looking from the source side of the conductor(s) being monitored, you should see the arrow on the current sensor assembly. The arrow should be pointing in a clockwise direction around the conductor(s) being monitored. If the arrow is not positioned on the source side, inaccurate readings will result.*

## 4.5 Current Sensor Wiring

Once all the current sensors are installed on their appropriate phase conductors, you can begin terminating the current sensors on to the Class 100 main power board.

The current sensor leads can be extended up to 2,000 feet (using #14-22 AWG wire) for remote monitoring applications. Consult your local electrical codes for proper wire sizing (#22 AWG twisted pair wire with a black and white conductor, rated for 600 VAC recommended.)

The current sensor connection points are located on the bottom right of the main power board. Three removable plugs exist, one for each current sensor phase input. The header portions of the connectors are labeled A, B, and C. Text on the plastic cover of each of the connectors instruct you which terminal of the plug is for the white conductor and which terminal is wired to the black conductor. Once each current sensor is wired to its respective plug, insert each plug into the appropriate header. **Input C is not used with the Class 100 meter.**

## 4.7 MAINS Line Voltage & Current Sensor Wiring Diagrams

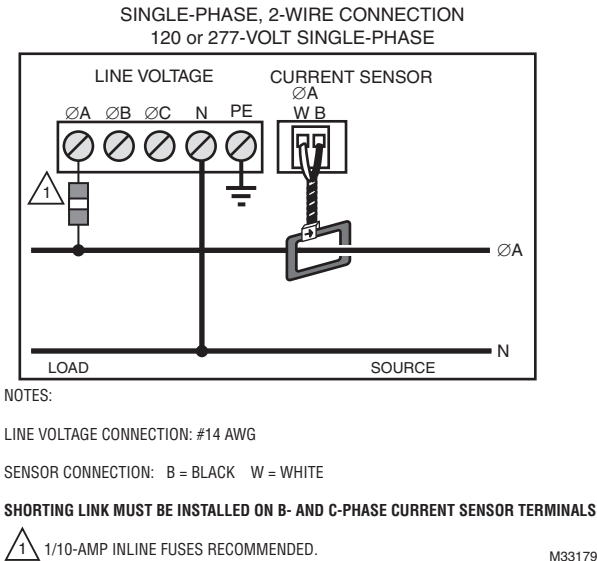
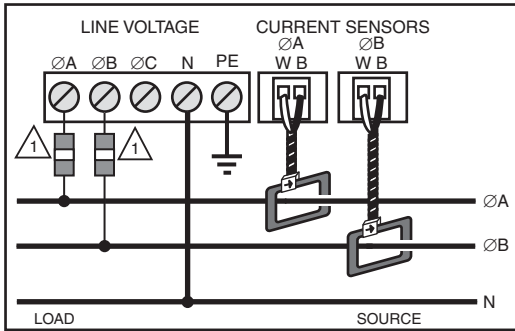


Fig. 5. Single-Phase, 2-Wire Connection 120/240 Volt Single-Phase

SINGLE-PHASE, 3-WIRE CONNECTION  
120/240-VOLT SINGLE-PHASE



NOTES:

LINE VOLTAGE CONNECTION: #14 AWG

SENSOR CONNECTION: B = BLACK W = WHITE

**IMPORTANT: LINE VOLTAGE MUST BE PRESENT AT THE A- AND B-PHASE VOLTAGE TERMINALS.**

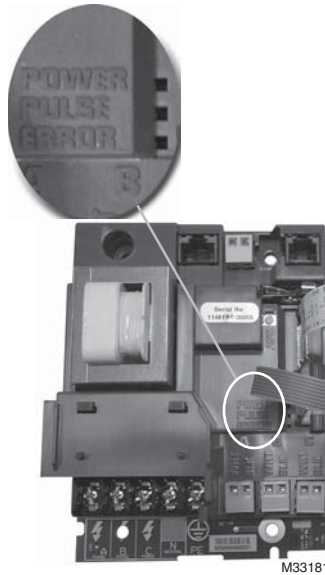
**SHORTING LINK MUST BE INSTALLED ON C-PHASE CURRENT SENSOR TERMINALS.**

 1/10-AMP INLINE FUSES RECOMMENDED.

M33180

**Fig. 6. Single-Phase, 3-Wire Connection 120/240-Volt Single-Phase**

## 4.7 Line Voltage/Current Sensor Diagnostics



**Fig. 7. Main Board Configuration**

If the meter is not correctly wired, the “ERROR” indicator will be on.

Verify that the AC MAINS voltage wires are all connected to the correct positions on the terminal block. Inspect the MAINS input wiring to verify each conductor is terminated at the correct terminal block position. Using an AC voltmeter, measure the AC voltage for each Phase to Neutral terminal and to the Frame ground point.

Verify each current sensor by running at least 1% of the full scale rated current through the conductor being monitored by each phase. (e.g. 2 amp load required for each phase to perform sensor diagnostic procedures.)

Verify that the current sensor white and black conductors are installed in the correct header positions.

Verify that the current sensors are installed in the correct direction on the conductor being monitored.

Verify that the current sensor plugs are terminated in the correct header on the Main power board.

If the error LED still hasn't been cleared, measure the AC voltage inputs across the plug terminals of each current sensor, individually. Set the AC voltmeter to the 20 Volt scale. If a reading of zero volts is indicated on the voltmeter, check for an open circuit. An open connection could exist at the plug terminals or at a splicing junction. Also verify a tight connection exists between the core halves.

If error message is still appearing, contact technical support for further assistance.

## **4.8 Final Main Board Checks**

Once the wiring error has been corrected, the Main Power Board error LED should extinguish.

## 5.0 MONITORING MULTIPLE LOADS WITH ONE METER

The Class 100 meter provides extreme flexibility by allowing additional sets of current sensors to be used in parallel so that multiple load locations can be monitored by one meter. This feature allows a totalized display readout from two or more load circuits.

You may use parallel sensors to monitor specific breakers from one panel, specific breakers from more than one panel, two or more complete panels, etc.

When paralleling current sensors, the following rules must be followed for accurate readings:

Rule 1: Current sensors must be installed in complete sets of two, with a maximum of three sensors installed in parallel per phase.

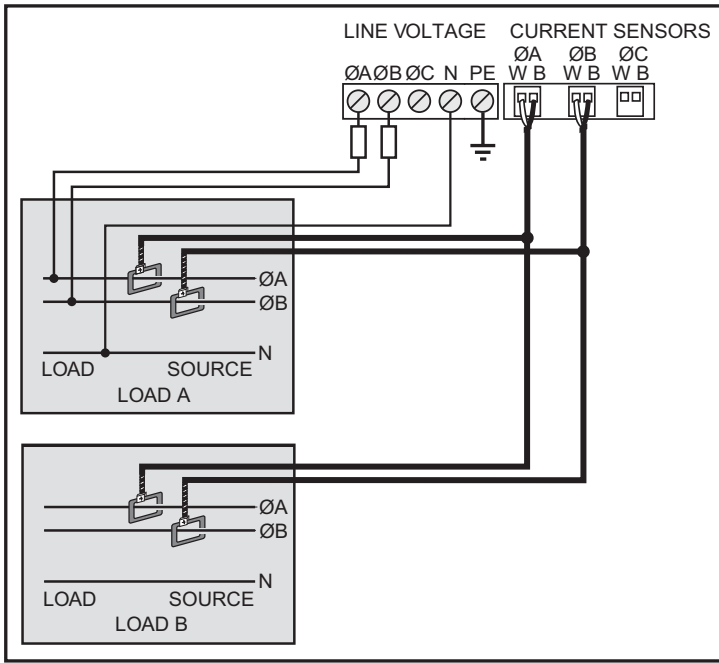
Rule 2: All sensors used in parallel must be of the same amperage rating (i.e. 100 amp, 200 amp, etc.) The rating is determined by the current rating (amperage) of the Class 100 meter. For example, a 200 amp meter must use extra sets of 200 amp current sensors.

Rule 3: All locations being monitored must have the same power source. A 277 volt meter cannot monitor a 208 volt load nor can a meter monitor two 277 or 208 volt loads if they are from different originating power sources or from different transformers.

Rule 4: The display readings must be multiplied by the number of sets of current sensors installed. E.g. meter reading of 5 kWh with 2 sets of current sensors.... $5 \times 2 = 10$  kWh (actual usage.)

**NOTE:** One set of current sensors equates to three sensors, one per phase. The multiplier only applies when extra sets of current sensors are installed on one meter. Therefore, if you are using only one set of two sensors (one per phase) the multiplier is not required.





M33204

**Fig. 8. Multiple Load Locations Can Be Monitored By One Meter.**

## 6.0 KWH METER FEATURES & FUNCTIONS

### 6.1 KWh Meter Display Functions



**Fig. 9. Normal Mode (kWh Reading)**

The Class 100 kWh meter display requires no multiplier and shows kilowatt hours consumed. See section 6.2 for information on calculating cost based on kWh usage.



**Fig. 10. KW Load Mode (Current Load in kW)**

The Class 100 LOAD display shows the present circuit load in kilowatts.



**Fig. 11. Start Up Mode**

When initially powered on, the Class 100 meter will display the startup screen.

This screen indicates the meter voltage, amps, and service configuration. It will remain on for approximately five seconds before switching to the normal operating mode.

## 6.2 How To Read The kWh Meter



**Fig. 12. The Class 100 kWh meter displays readings in whole numbers, there are no decimals.**

To find the dollar cost for the power used by the load(s) being monitored, you must first find out what the cost per kWh is in your area (this cost can be found on your utility electric bill, or call your local utility and ask for their cost per kilowatt hour.) Simply multiply the cost per kWh by the kWh reading from the Honeywell meter. The resultant figure is the dollar cost for power used by the load(s) being monitored by this meter.

Example:

8-digit display reading 00000017

Cost per kWh from utility \$0.12100

$$17 \times \$0.121 = \$2.06$$

THE FOLLOWING ONLY APPLIES TO METERS USING MORE THAN ONE SET OF CURRENT SENSORS. For meters using parallel current sensors you must multiply the kWh display reading by the number of sets of current sensors installed.

Example:

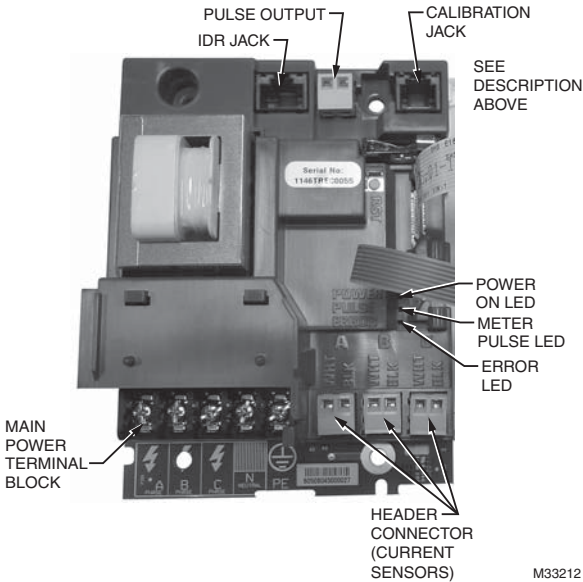
$$250 \text{ (meter display reading)} \times 2 \text{ (sets of sensors in parallel)} = 500 \text{ kWh}$$

$$500 \text{ kWh} \times \$0.121 \text{ (utility cost per kWh)} = \$60.50$$

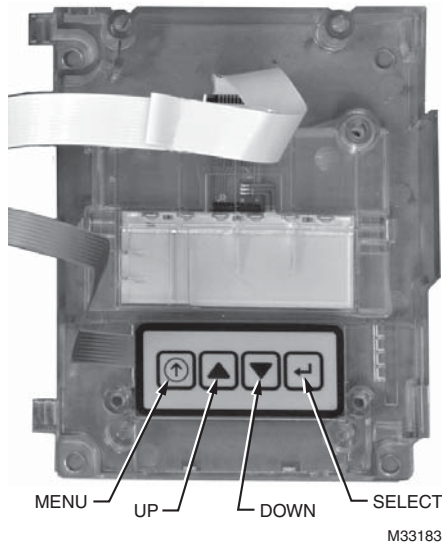
### .3 KWh Meter Hardware Functions

IDR Jack	8-pin RJ-45-used to connect kWh meter to the E-Mon Energy automatic meter reading system.
Calibration Jack	Connector J11 is for factory calibration only, and is not a user accessible port. Silicon plug is not to be removed.
Error LED	When lit, indicates that the current sensor is backwards or on the incorrect phase.
Meter Pulse LED	Blinks to show the meter load. Blink rate increases with load.
Power On LED	When lit, indicates power to meter is on.
Pulse Output	Optically isolated output pulse for connection to BAS or peripheral equipment.

The Main circuit board is located inside the meter enclosure.



**Fig. 13. Hardware Functions**  
**Hardware Functions**



**Fig. 14. Hardware Functions**

## **7.0 PREVENTATIVE/SCHEDULED MAINTENANCE**

**The Class 100 kWh/single phase meter is shipped in calibrated, tested and fully functional condition.**

- All potentiometers are sealed. No field adjustments are required.
- No preventative or scheduled maintenance is required.
- No cleaning or decontamination procedures are required for this instrument.

## 8.0 TROUBLESHOOTING GUIDE

The Class 100 kWh/single phase meter is calibrated and tested at the factory before being packaged and shipped. If installed properly and in accordance with these installation instructions, your Class 100 meter should provide years of trouble free service. If the meter should not function, the following guide will assist in troubleshooting the installation.

Problem Procedure to follow

**1. Display window is blank.**

- a. Check wiring to voltage terminals.
- b. Check circuit breakers or fuses.
- c. Verify that the power is turned on.
- d. Test source for correct voltage.

**2. Display reading all zeros (00000000).**

- a. Determine if load is sufficient to update the display.
- b. Check RESET button to ensure there are no wires or other objects pressing against it when the door is closed.
- c. Check the current sensors for installation and polarity.
- d. Be sure the current and voltage inputs have the proper phase relationship.
- e. Check wiring to voltage terminals.
- f. Check circuit breaker or fuses.
- g. Test source for correct voltage.

**3. Display reads only a fraction of consumption.**

- a. Check the supply voltage to be sure consumption that it is on continuously 24 hrs/day.
- b. Check the current sensors for installation and polarity.
- c. Check sensor wiring to the terminal strip in meter (color coding B & W.)

**NOTE:** If you still need assistance after performing the above troubleshooting procedures, do not remove the unit. Before removing the unit, contact the technical support department; our support experts will assist you in detailed troubleshooting of the meter installation and assist you in getting the unit operating correctly.

## **9.0 FREQUENTLY ASKED QUESTIONS**

Q. When providing line voltage to the meter, can I tap off of the same breaker I am monitoring?

A. Yes, the voltage can be pulled from the same breaker being monitored.

Q. Can the meter's line voltage wires be run in the same conduit as the sensor leads?

A. Yes, there will be no effect on the meter if the sensor leads and line voltage wires are run in the same conduit.

Q. Can the meter communication wires and line voltage wires be run in the same conduit?

A. It is NOT recommended to run these wires together due to noise concerns and their effects on the communications signal integrity. Communication wires can be routed separately using the 1/2" conduit port.

Q. How do I find the cost for kWh and kW to bill my tenants?

A. Your local utility bill should list the cost per kWh and kW. If not, simply call your utility and ask them to provide you with the cost per kWh and kW.

Q. What size wire do I use for the line voltage leads?

A. These wires are normally #14 AWG, but be sure to consult your local electrical codes for proper sizing requirements.



Q. What size wire should I use to extend the current sensor leads?

A. These wires are normally sized at #14-22 AWG, twisted pair arrangement. Consult your local electrical codes for proper sizing requirements.

Q. The load I need to monitor has parallel feeds. How do I install the current sensors for this application?

A. There are two ways you can monitor parallel feeds. One method is to clamp the sensors around all feed wires for each phase (no additional reading multiplier required). The second way to monitor parallel feeds is to clamp the sensor around one of the feed wires for each phase, and when you read the kWh meter the final reading must be multiplied by the number of feed wires for each phase.

Q. I have two subpanels I would like to monitor with one meter. These subpanels are fed by different transformers in the building. Can I parallel sensors and monitor both panels with one meter?

A. No. These panels cannot be monitored by one meter because they are different power sources. When you parallel current sensors, all loads must be from the same voltage source.

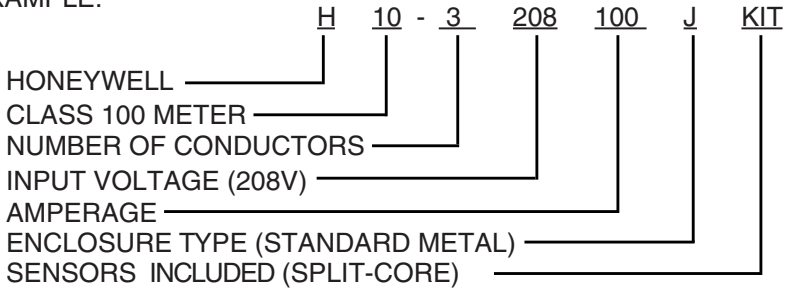
Q. I have 5 breakers in one subpanel I would like to monitor with one meter. Can this be done without having to parallel current sensors?

A. Yes. Simply run all the breaker wires through one set of current sensors. Make sure all A phase circuits are run through the A phase sensor, and the same for B & C phases. The meter should be sized by the highest amount of current being monitored by one sensor.

# 10.0 METER TECHNICAL SPECIFICATIONS

<b>Ordering Information: Define brand, class, input voltage, current sensor amperage, enclosure type, and sensor type in the format A-B-CC-DDD-EEE-F-GGG where:</b>
A = Brand: H for Honeywell
B = 10 for Class 100
CCC = Numbers of conductors (including common/neutral): 2 or 3
DDD = Input Voltage: 120, 208
EEE = Amperage: 25, 50, 100 or 200
F = Enclosure Type: J = Standard Metal, R= Outdoor Type 4X
GGG = Current Sensors included: KIT = 1 sensor for 1-phase, 2 sensors for 1 or 2 phase, "Blank" = None Supplied

EXAMPLE:



M33214

Input Voltage Configuration	3-wire or 2-wire single phase
Mains Voltage Input	Up To 208 VAC RMS Available
Input Power	2 VA Maximum Rating
Current Sensor Rating	Up To 200 Amps RMS AC Available
Power Factor	0.5 Leading Or Lagging
Line Frequency	50-60 Hz
Metering Accuracy	Certified To ANSI C12.20
Voltage Operating Range	+/-10% Of Rated Load
Temperature Range	(Standard indoor enclosure): -20C To +50C
Temperature Range	(Type 4X outdoor enclosure): -20C To +70C

Relative Humidity Range	0-95% Non-condensing	
Altitude	2000 Meters Maximum	
Voltage Overload	+25% Continuously; +100% For 20 Cycles	
Current Sensor Overload	100% For 1 Minute Without Damaging Meter	
Pollution Degree	Degree 2 In Accordance With IEC 664	
Installation (Overvoltage) Category	Category 3	
Measurement Category	Category 3	
Enclosure Material	Indoor Housing Rating (Standard): UL Type 1 Outdoor Housing Rating (Optional): Type 4X	
Display Readout	KWh Accumulated, Instantaneous kW	
Standard Ranges	3-wire 115/208 Vac; 25, 50, 100, or 200 AMP 2 Phase 120/240 Vac; 25, 50, 100, or 200 AMP	
IDR Interface Port	Cable Specification:	UL-listed/rated Telephone Cord. 6 conductor.
	Input/output Voltage:	+5 VDC/18 VAC
	Cable Connector:	RJ-45 male IDC
	Circuit Input Isolation:	5.3kVAC for one minute
	Circuit output Isolation:	2.5kVAC
Isolated Pulse/Alarm Outputs	Output Voltage Potential:	0 VDC to +5 VDC Logic Levels
	Mating Plug Connector:	Weidmuller PN: 152876
	Signal Isolation Voltage:	5.3K VAC for 1 Minute
Recommended In-line Fuse	Manufacturer:	Littlefuse
	Mfg. Part No.:	KLDR.100
	Rating:	100mA, Time-delay, 600VAC Cartridge Fuse

*H SERIES CLASS 100 METER*

**Automation and Control Solutions**

Honeywell International Inc.

1985 Douglas Drive North

Golden Valley, MN 55422

[customer.honeywell.com](http://customer.honeywell.com)

**Honeywell**

© U.S. Registered Trademark  
© 2011 Honeywell International Inc.  
62-0395—01 JPG Rev. 12-11  
Printed in United States