



MODEL H8120 6" RANDOM ORBITAL SANDER INSTRUCTION SHEET

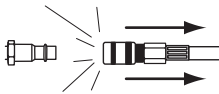
⚠️ WARNING



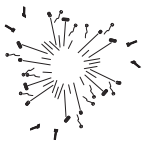
EYE INJURY HAZARD!
Always wear safety glasses when using this tool to prevent serious personal injury.



DUST HAZARD!
Always wear respirator when using this tool.



INJURY HAZARD!
Always disconnect tool from air to prevent unexpected operation during service.



DO NOT EXCEED 120 PSI!
Personal injury could occur.

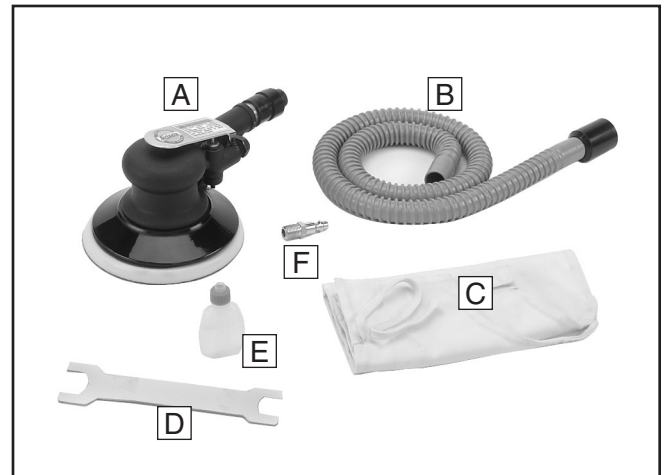


Figure 1. Model H8120 inventory.

Assembly

1. Install the 1/4" NPT male quick-connect fitting into the air inlet.
2. Attach a 6" hook and loop sanding disc to the sanding pad as shown in **Figure 2**.



Figure 2. Attaching sanding disc.

Product Information

- 10,000 RPM
- Requires 90 PSI
- Air Consumption 2.8–4.5 CFM @ 90 PSI
- Requires 6" hook and loop sanding disc with 6-hole pattern
- 1/4" NPT female air inlet
- 3/4" (ID) dust collection hose
- Weighs 2.53 lbs.

Inventory

- | | | |
|----|--------------------------------|---|
| A. | Orbital Sander | 1 |
| B. | Dust Collection Hose..... | 1 |
| C. | Dust Collection Bag..... | 1 |
| D. | Wrench | 1 |
| E. | Pneumatic Tool Oil Bottle..... | 1 |
| F. | 1/4" NPT Male Plug | 1 |

- Attach the dust collection hose to the sander as shown in **Figure 3A**, insert the hose into the dust collection bag, and secure with the strings (**Figure 3B**).

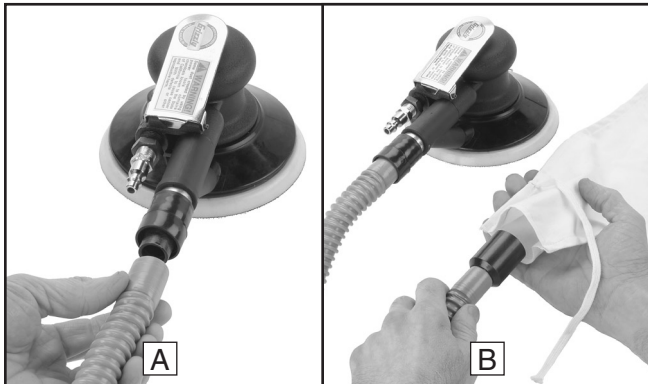


Figure 3. Attaching dust collection hose to sander and dust collection bag.

Operation

- Connect the tool to compressed air.
- Hold the sander and press the throttle lever (**Figure 4**) to turn the sander **ON**.

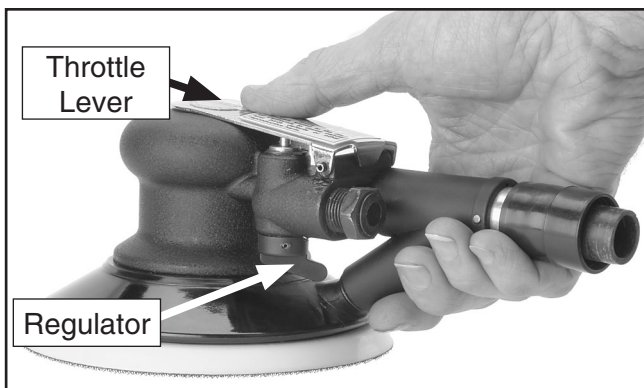


Figure 4. Sander controls.

- Turn the regulator (**Figure 4**) to adjust the sanding pad speed.
- Remove pressure on the throttle lever to stop the sanding pad.
- When the sandpaper loses its effectiveness, **disconnect the sander** and replace the sandpaper.

If you need help with your new pneumatic tool, call our Tech Support at: (570) 546-9663.

Maintenance

Lubricate at least once every eight hours of operation. Place one or two drops of pneumatic tool oil directly into the air fitting as shown in **Figure 5**.

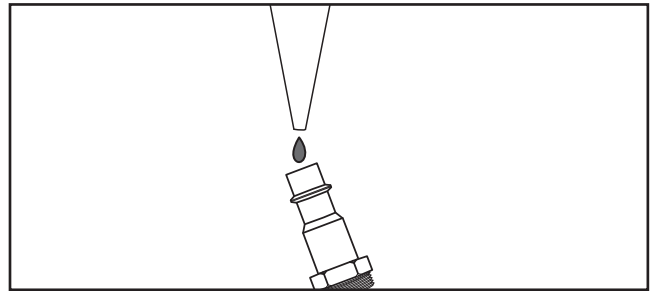


Figure 5. Lubricating directly into air fitting.

Before installing the sanding disc, run the sander for a few minutes to eject excess oil, then wipe the tool down with a clean rag and begin sanding. Oil the tool after use or storage.

Service

To replace the sanding pad:

- Disconnect the sander!**
- Insert the included wrench onto the spindle as shown in **Figure 6**.

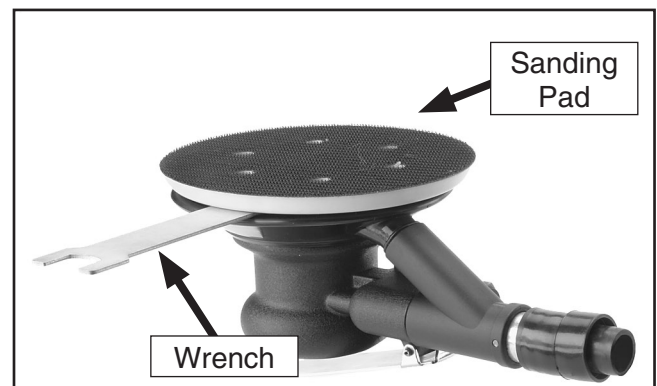


Figure 6. Wrench inserted onto spindle.

- Hold the wrench and unscrew the sanding pad.
- Install a new sanding pad (Part # PH8120048) and secure it with the wrench.

Accessories

H3263—5 Pc. Quick Coupler Set

This 5-Pc. Solid Brass Quick Coupler Set includes one 1/4" NPT female quick coupler, one 1/4" NPT female thread connector and three 1/4" NPT male thread connectors.

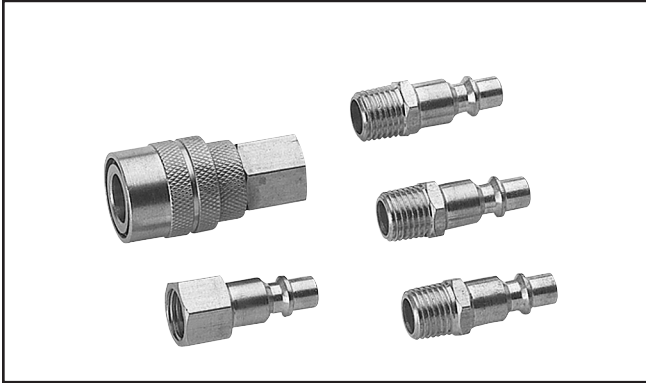


Figure 7. H3263 Quick Coupler Set.

H3275—1/4" x 25' Coil Hose

These recoil hoses stay neatly coiled when not in use, yet stretch to full length when needed. Great for bench-top use when clutter is always a concern. Coil springs protect ends from kinking. 1/4"NPT.

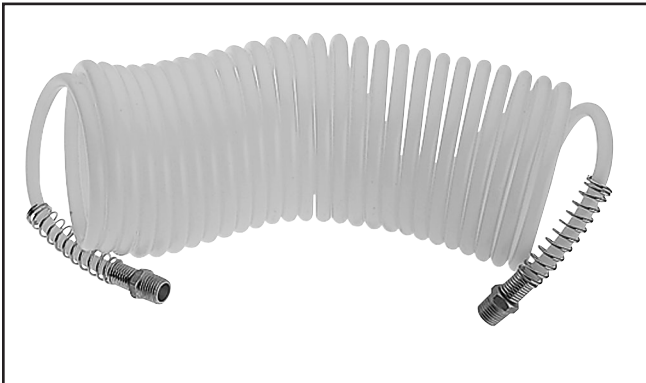


Figure 8. H3275 Coil Hose.

H8121—6 H&L Sanding Pad Without Holes

H8122—6 H&L Sanding Pad Vinyl Sticky Back

H8994—80 Grit, 6" Sanding Disc

H8995—100 Grit, 6" Sanding Disc

H8996—120 Grit, 6" Sanding Disc

H8997—150 Grit, 6" Sanding Disc

H8998—180 Grit, 6" Sanding Disc

H9000—240 Grit, 6" Sanding Disc

H9001—280 Grit, 6" Sanding Disc

H9002—320 Grit, 6" Sanding Disc

H9003—400 Grit, 6" Sanding Disc

H9004—500 Grit, 6" Sanding Disc

H9005—600 Grit, 6" Sanding Disc

H9006—800 Grit, 6" Sanding Disc

H9007—1000 Grit, 6" Sanding Disc

H9008—1200 Grit, 6" Sanding Disc

H9009—1500 Grit, 6" Sanding Disc

H2499—Small Half-Mask Respirator

H3631—Medium Half-Mask Respirator

H3632—Large Half-Mask Respirator

H3635—Disposable Cartridge Filter Pair P100

Wood dust is a known carcinogen and has been linked to nasal cancer and severe respiratory illnesses. If you work around dust everyday, a half-mask respirator can be a lifesaver. Also compatible with safety glasses!



Figure 9. Half-mask respirator and disposable cartridge filters.

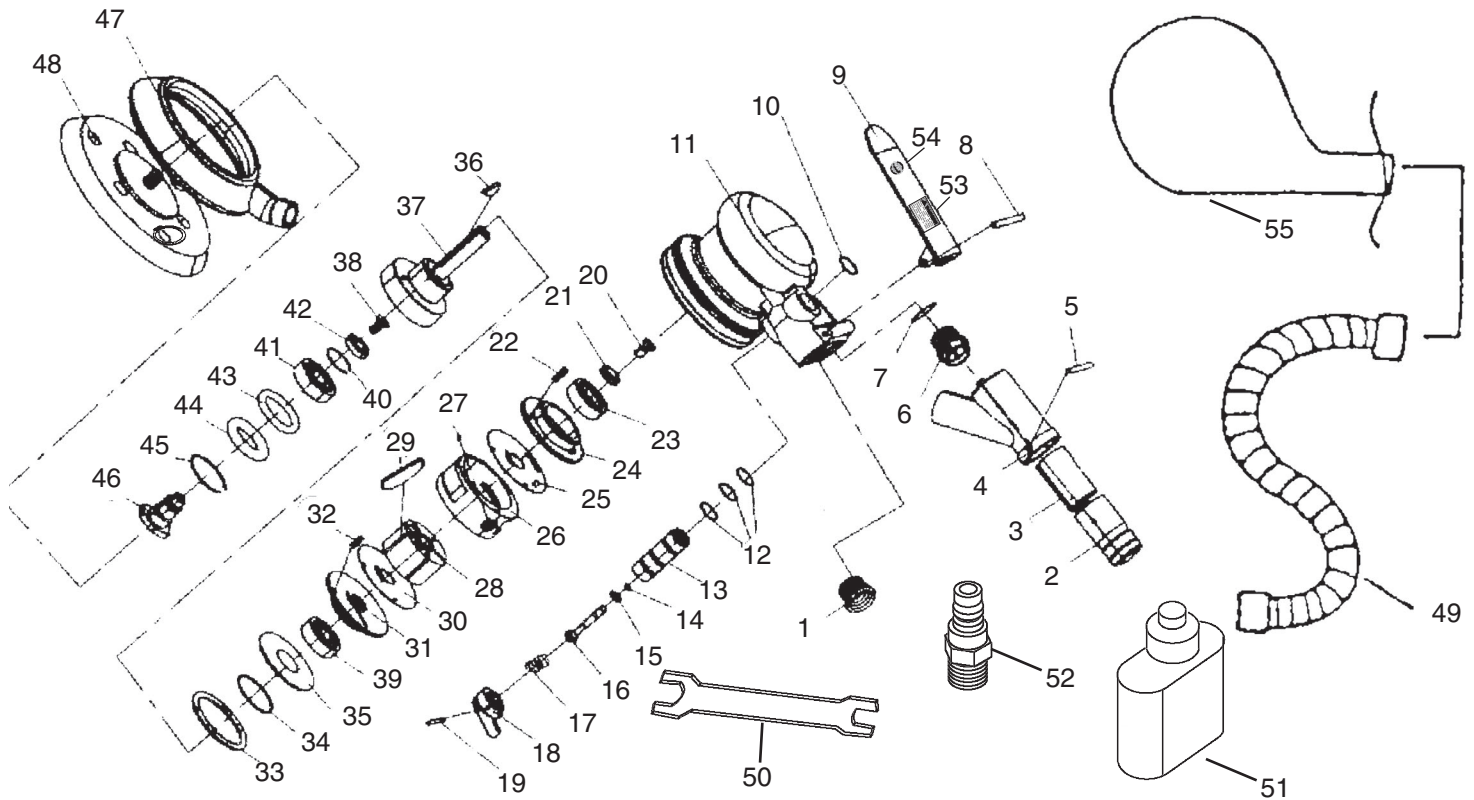
G9955—Bench Top Dual Fan Dust Filter

Two separately switched fan motors can be used to draw a maximum 400 CFM of your dusty shop air through the 5 micron pleated filter. Perfect for sanding and power carving, the clear plastic hood helps to direct flow from the work area directly into the filter.



Figure 10. G9955 Dust Filter.

H8120 Parts Breakdown and List



REF PART # DESCRIPTION

1	PH8120001	AIR INLET
2	PH8120002	EXHAUST CAP
3	PH8120003	TWO WAY COUPLER
4	PH8120004	THREE WAY COUPLER
5	PH8120005	PIN 3 X 28
6	PH8120006	AIR OUT PLUG
7	PH8120007	O-RING
8	PRP53M	ROLL PIN 3 X 40
9	PH8120009	THROTTLE LEVER
10	PR48M	EXT RETAINING RING 11MM
11	PH8120011	HOUSING
12	PH8120012	O-RING
13	PH8120013	VALVE SET
14	PH8120014	O-RING
15	PH8120015	O-RING
16	PH8120016	VALVE STEM
17	PH8120017	COMPRESSION SPRING
18	PH8120018	REGULATOR
19	PRP13M	ROLL PIN 2.5 X 19
20	PH8120020	SPECIAL SCREW
21	PH8120021	SPECIAL WASHER
22	PH8120022	ROLL PIN
23	P6000	BALL BEARING 6000ZZ
24	PH8120024	FLANGE
25	PH8120025	END PLATE
26	PH8120026	CYLINDER
27	PH8120027	O-RING
28	PH8120028	ROTOR

REF PART # DESCRIPTION

29	PH8120029	ROTOR BLADE
30	PH8120030	FRONT PLATE
31	PH8120031	MOTOR SHAFT BALANCER
32	PH8120032	SPECIAL PIN
33	PH8120033	BEARING WASHER
34	PH8120034	O-RING
35	PH8120035	LOCK RING
36	PH8120036	WOODRUFF KEY
37	PH8120037	CRANK SHAFT
38	PS03M	PHLP HD SCR M6-1 X 8
39	PH8120039	SPECIAL BALL BEARING
40	PR48M	EXT RETAINING RING 11MM
41	P6001	BALL BEARING 6001ZZ
42	P588	BALL BEARING 588ZZ
43	PH8120043	BEARING WASHER
44	PH8120044	PRINCIPAL AXIS
45	PH8120045	INTERNAL RING
46	PH8120046	JACKET
47	PH8120047	SHROUD
48	PH8120048	SANDING PAD 6"
49	PH8120049	DUST COLLECTION HOSE
50	PH8120050	SPINDLE WRENCH
51	PH8120051	PNEUMATIC TOOL OIL
52	PH8120052	1/4" NPT MALE QUICK CONNECT FITTING
53	PH8120053	DUST WARNING LABEL
54	PH8120054	GRIZZLY AIR TOOLS LABEL
55	PH8120055	DUST COLLECTION BAG