






VI. OPERATION

1. Press **Power** switch to open/close power supply to indoor/outdoor unit.
2. When visitor presses the Call button of outdoor unit, the corresponding indoor unit will ring and display visitor's image, you may
 - a. choose not to answer the call, the image will automatically disappear 90 seconds later;
 - b. or press() to talk with the visitor. To end the talk, press() again.
3. Press () on the indoor phone, can monitor Entrance 1; by pressing again, it returns to standby state; press () on the indoor phone, can monitor Entrance 2; by pressing again, it returns to standby state;
4. The user may press() to unlock the electronically controlled door when talking or monitoring.
5. Regulate chromaticity of the screen with **Chroma** control.
6. Regulate brightness of the screen with **Brightness** control.
7. Regulate volume of speaking with **Volume** control.
8. Regulate volume of ringing with **Ringtone** control.

VII. TROUBLE SHOOTING GUIDE

No.	Problem	Possible Cause
1	Unit totally dead.	The power is not properly connected, or no electrification is available. The power switch is turned off. The polarization of wiring between Indoor and outdoor units is uncorrected.
2	Call and communication Workable, but no display.	The brightness is not properly adjusted, or the video line(white) is subject to open circuit or short circuit.
3	Call allowed, but with no Communication.	The voice line (red) is subject to open circuit or short circuit.

SPECIFICATIONS

I. Indoor Unit

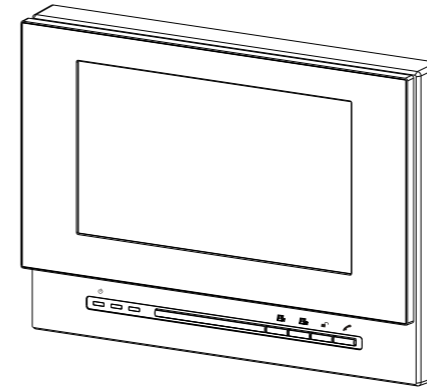
Model No.	<input type="checkbox"/> A4-F5C	<input type="checkbox"/> A4-F5C-7
Display	5" COLOR TFT-LCD	7" COLOR TFT-LCD
Pattern of Wiring	4-line (polarized)	
Power	AC100-240V	
Ringtone	Ding-ding dong, adjustable volume	
Talking	Hand-free	
Cable condition	50 m/165 ft. (RVV 22 # 4×0.65mm)	
Ambient Temperature	0~40°C	
Net Weight	0.751Kg	
Dimension (W×D×H)	220mm×160mm×49.5mm	

VIDEO INDOOR PHONE

A4-F5C (COLOR) A4-F5C-7 (COLOR)

Introduction

The model number is located on the bottom and record the serial number in the space provided below. Refer to these numbers whenever you call upon your dealer regarding this product.





WARNING : TO REDUCE THE RISK OF FIRE OR SHOCK HAZARD DO NOT EXPOSE THIS EQUIPMENT TO RAIN OR MOISTURE

CAUTION: TO REDUCE THE RISK OF FIRE OR SHOCK HAZARD AND ANNOYING INTERFERENCE, USE THE RECOMMENDED ACCESSORIES ONLY

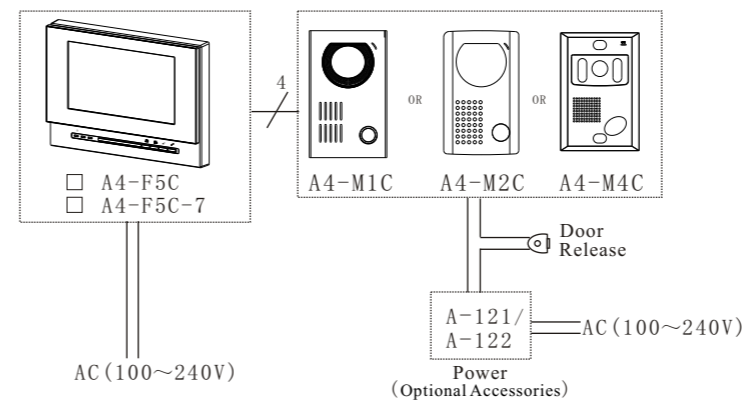
CAUTION: TO REDUCE THE RISK OF FIRE OR SHOCK HAZARD, REFER CHANGE OF SWITCH SETTING INSIDE THE UNIT TO QUALIFIED SERVICE PERSONNEL

CAUTION: TO REDUCE THE RISK OF FIRE OR SHOCK HAZARD, REFER MOUNTING OF THE OPTIONAL INTERFACE BOARD TO QUALIFIED SERVICE PERSONNEL

 This symbol is intended to alert the user to the presence of uninsulated "dangerous voltage" within the product's enclosure that may be of sufficient magnitude to constitute a risk of Electric shock to persons.

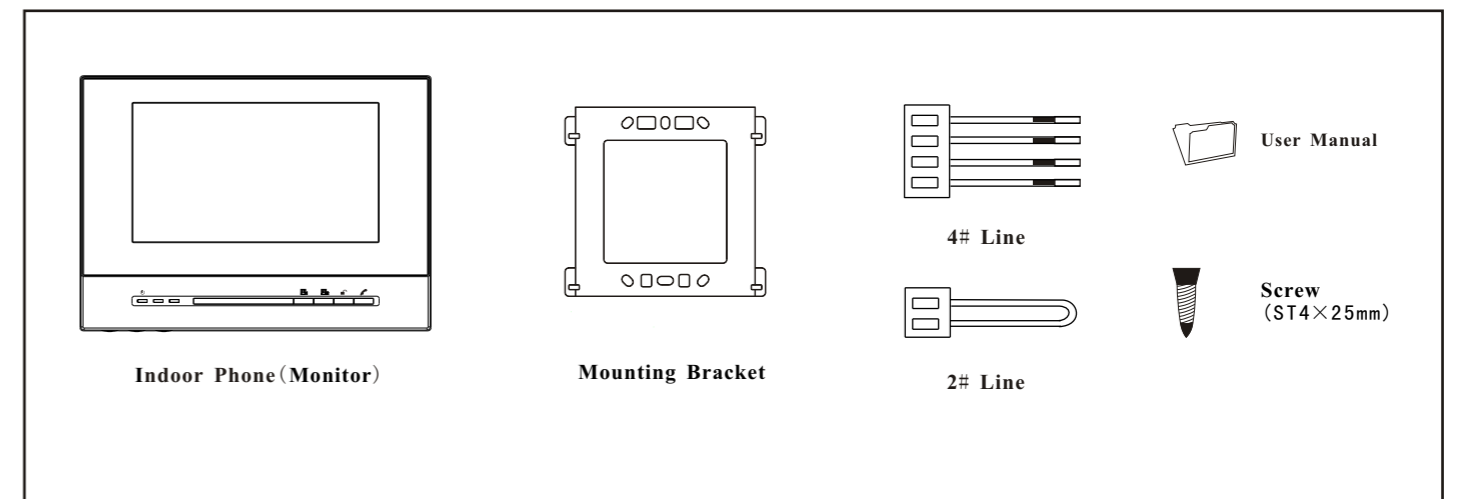
 This symbol is intended to alert the user to the presence of important operating and maintenance (servicing) instructions in the literature accompanying the appliance.

I. F5 SYSTEM OUTLINE COMPONENTS.

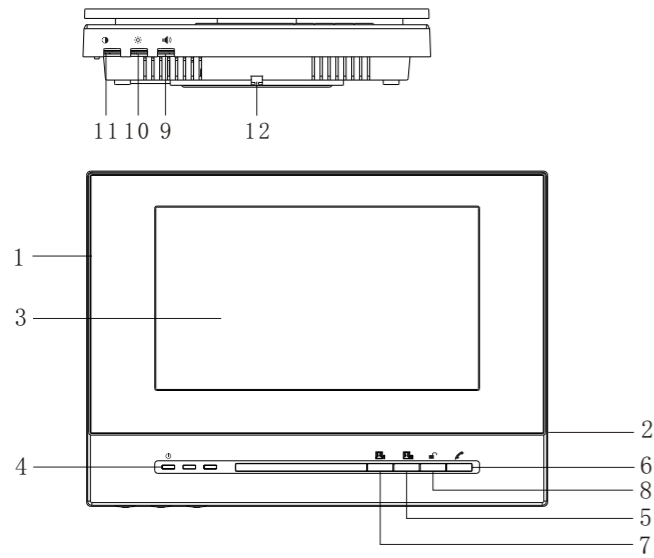


II. PARTS CHECKLIST

■ Indoor Phone (Monitor)	1
■ Mounting Bracket	1
■ Screw (ST4×25mm)	2
■ Connection Cable	
4# line	2
2# line	1
■ User Manual	1

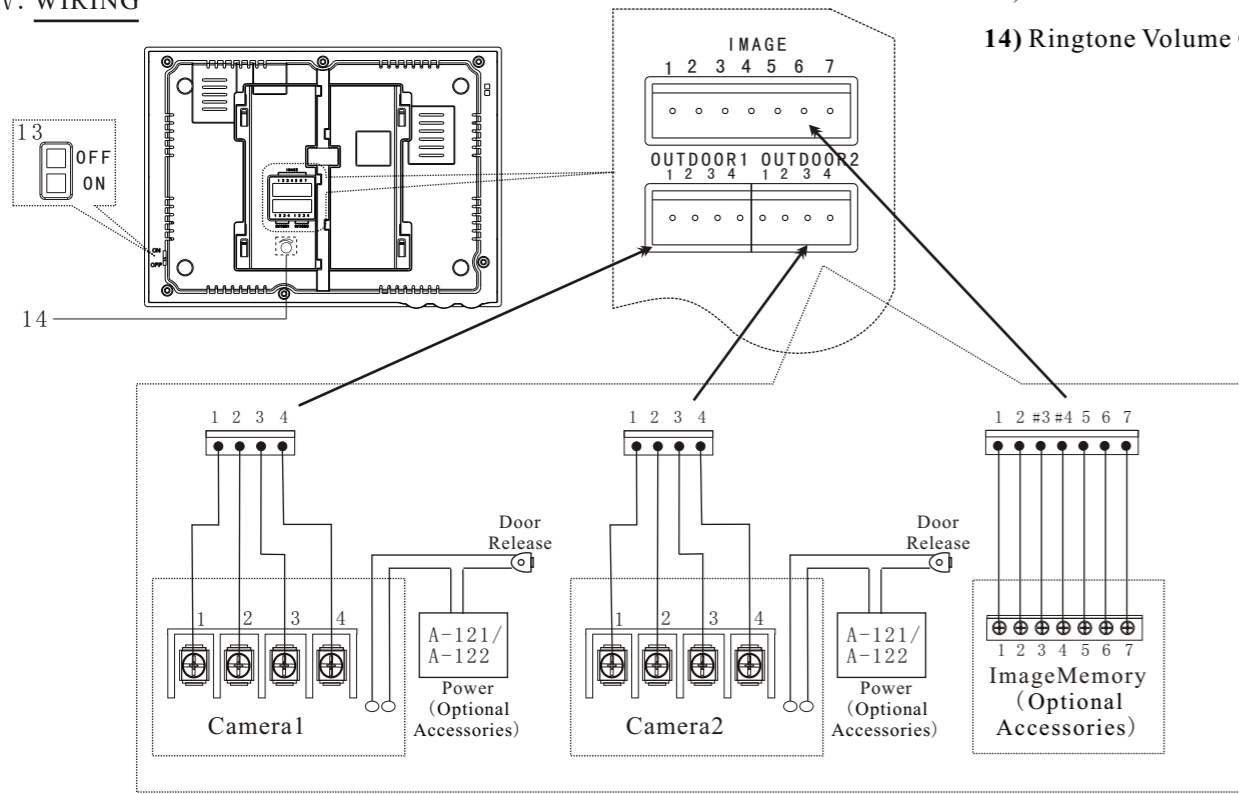


III. FEATURES



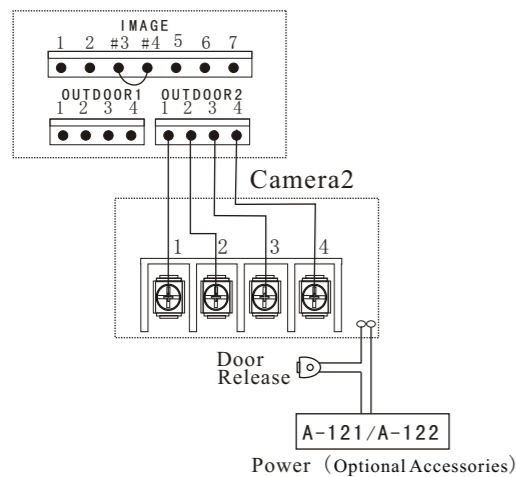
- 1) Loudspeaker
- 2) MIC
- 3) Screen
- 4) Power Indicator LED
- 5) Monitor Button
- 6) Talk Button
- 7) Ringtone Button
- 8) Release Button
- 9) Volume Control
- 10) Brightness Control
- 11) Chroma Control
- 12) Power Supply
- 13) Power ON/OFF Switch
- 14) Ringtone Volume Control

IV. WIRING

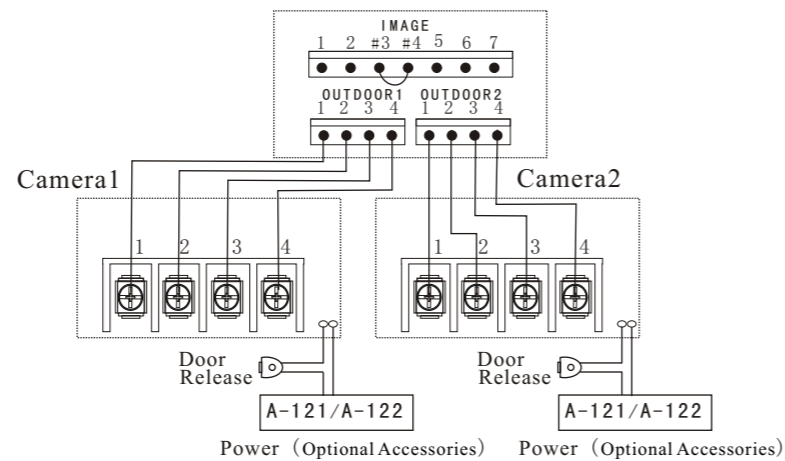


* BASIC(SINGLE CAMERA/SINGLE INDOOR PHONE) * OPTION 1 (TWO CAMERAS/SINGLE INDOOR PHONE)

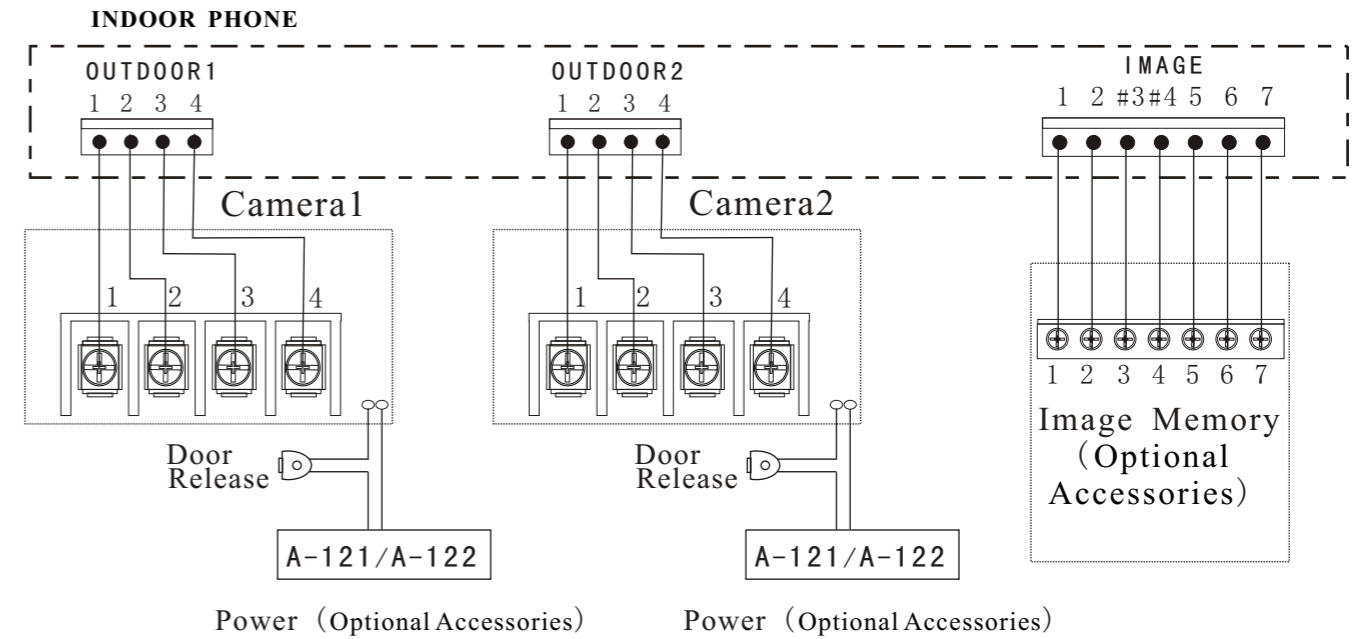
INDOOR PHONE



INDOOR PHONE



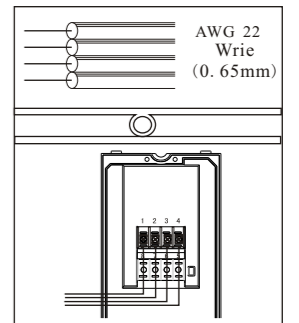
* OPTION 2 (SINGLE INDOOR PHONE/TWO CAMERAS/IMAGE MEMORIER)



Note: Using component “2# LINE” to connect #3,#4 shut pin when you are not using image memory.

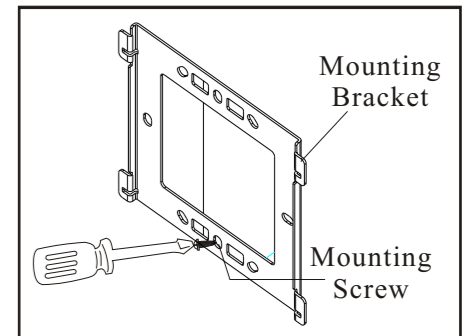
Wiring is not supplied with your Video Doorphone system. Use only AWG #22 wire (0.65mm, 4-wire) and follow the appropriate wiring diagrams exactly for optimum system performance and safety.

When planning to install the initial system, consider future system extension. The total wire length for a single camera and monitor system (or any combination of additional camera or monitors) must not exceed 50m for optimum performance.



V. INSTALLATION

1. Determine the mounting locations for both the outside camera and inside monitor.
2. At the selected monitor mounting location, attached the mounting bracket securely to the wall. drill a hole in the center area of the bracket just large enough for the electrical wiring to pull through the hole. Connect the electrical wires from the camera unit to the monitor.
3. Attach the wired monitor unit to the wall mounting bracket by setting the monitor over the four bracket hooks and sliding it down, Insert the tiny machine screw into the hole in the tab at the top of the bracket to hold the monitor in place.
4. Plug the AC power cord into a standard household outlet.
5. Place the power “ON/OFF” switch in the “ON” position.



Important Mounting Notes:

Do not install the monitor and camera units where they will be exposed to dirt, direct sunlight (or other strong light), moisture, high temperature (over 40°C) or high humidity conditions.

Do not select an installation location subjected to vibration or pounding. Select a mounting location close to an AC outlet where it is easy to view the screen and operate the monitor.

