

Brandt

OPERATION & INSTALLATION INSTRUCTIONS

使用及安装说明书

AD990XC
AD991XC

For the User

- Your safety
- Description
- Instructions for use

CHIMNEY COOKER HOOD



Contents

For the User

- Your safety.....1
- Description.....3
- Instructions for use.....4

For the Installer

- Installation.....7
- Safety Information.....10
- Troubleshooting.....11

From the manufacture

Please read this user manual carefully before attempting to operate the appliance and store it in a safe place for future reference.

This appliance and its packaging are produced by processes that minimize waste and respect the environment.

Please help us to continue this effort to protect the environment by using the appliance efficiently and dispose of the packaging in a responsible manner.

FOR THE USER

Your safety



PLEASE READ THIS SECTION THOROUGHLY BEFORE ATTEMPTING TO OPERATE THE APPLIANCE

Read the following before using.

It may cause fire if you do not follow the instructions when cleaning the hood.

The hood must not be directly heated by the fire or other heat sources.

The exhaust air that the hood vents from cooking must not be ejected to the flue which is used for exhaust emission of gas combustion or other fuels.

The room must be well-ventilated when the hob is being used.

Installation

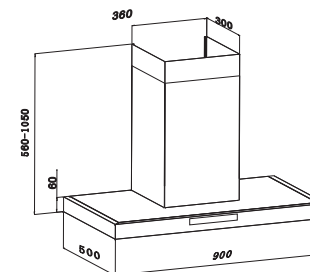
- This appliance must be installed by a qualified technician.
- It is dangerous to modify any part of this appliance.
- The manufacturer declines all responsibility in case of failure to adopt proper safety measures.
- Ensure the location in which this appliance is installed has good, permanent ventilation.

水平调节装置

如果烟机挂到墙上有左右高低不同的情况可以通过调节这两个螺丝以达到烟机的平衡。



烟机尺寸



电源线

- 要确保电源线不要暴露在热、湿及尖锐的物体旁。
- 若电源线损坏了,必须由供应商、服务代理或合格的技术人员才能去更换。

3, 倒计时键

短按一次，倒计时键对应蓝LED指示灯闪烁显示，滑条进度指示LED不点亮，此时操作滑条可进行倒计时时间调节，一共有四个时间段：5, 10, 15, 20分钟；再短按一次，退出倒计时时间调节并关闭倒计时功能，如果此时有其它功能开启，倒计时键对应红LED指示灯点亮。

4, 换气键

短按一次，换气键对应蓝LED指示灯闪烁显示，滑条进度指示LED不点亮，此时操作滑条可进行换气时间调节，一共有四个时间段：5, 10, 15, 20分钟(先开后关方式)；再短按一次，退出换气时间调节并关闭换气功能，如果此时有其它功能开启，换气键对应红LED指示灯点亮。

当前烟机工作状态查看功能说明：

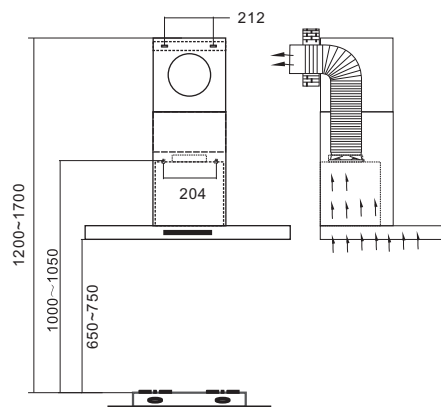
例如当前烟机开启了所有功能，则最后一个被选中操作的功能对应的蓝LED会一直闪烁提示，其余功能对应的蓝LED会一直常亮提示。

如果当前选中的是倒计时功能，要查看换气功能设置了哪个时间段，则短按一次换气键，换气键蓝LED就会闪烁提示，而倒计时键切换为蓝LED常亮提示。

功能查看可以在所有功能键之间互相切换。

安装方法

- 使用正确的螺钉固定此产品在安全的表面。
- 烟机最低部位到台面的高度必须不低于65cm或不高于75cm。
- 安装烟机的地方必须有一个永久的通风口。



- In ducted mode, there must be one or more permanent air inlet. The air collected must not be discharged into a duct used to blow off smoke from other appliances fed with electricity.
- The distance between the bench to the lower part of the hood must not be less than 65cm or higher than 75cm.
- Use an electrical connector with earth that is correct for your location.
- Check that the voltage in your area correspond to the appliance as indicated on the rating label.
- Do not connect the hood to a duct that carries combustion fumes (e. g. fireplace).

Child Safety

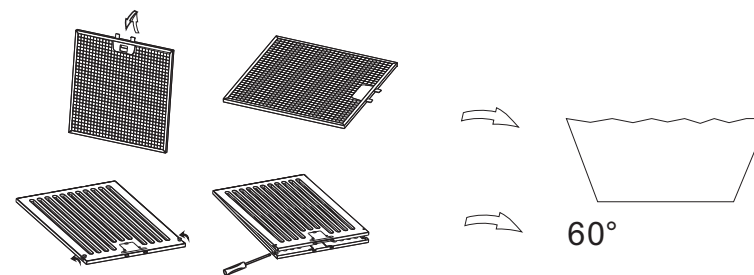
This appliance should be operated by adults only.

During use

- This product is designed for domestic use only and should never be used for commercial applications.
- After use, always ensure that all controls are in the "OFF" position.
- When frying with a gas flame, take particular care not to allow the oil or grease in the pan to catch fire.

Cleaning, Maintenance & Service

- Clean the grease filters often (at least once monthly). Heavy oil deposits is a fire hazard.



- Never attempt to repair this appliance by yourself. Always refer to qualified Service Technicians.
- For your safety, insist on original parts.

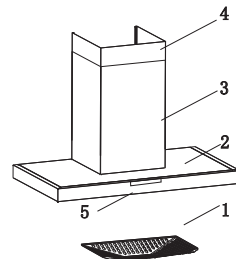
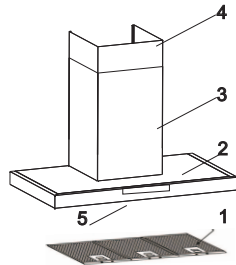
- Always switch off the electricity and unplug the connection before conducting maintenance or cleaning.

Electric Chord

- Ensure the supply chord is not exposed to heat, chemicals or sharp objects.
- If the supply chord is damaged, it must be replaced by the manufacturer or its service agent or a similarly qualified person in order to avoid a hazard.

Description

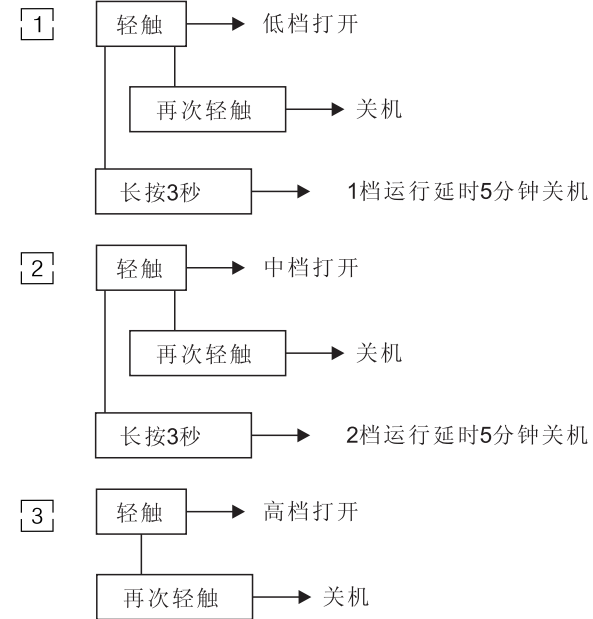
1. Aluminium Filter/ Buffle filter
2. Canopy
3. Main flue
4. Extension flue
5. Control



3

功能说明

1、单相电机变档运行：



2、照明灯正常通断：

- 照明灯为12V交流电，当按“灯”键时，系统接通灯的电源，同时灯的指示灯也亮，再按一下“灯”键照明灯熄灭。(外接20V/12V变压器)
- 照明灯为4V直流电，当按“灯”键时，系统接通灯的电源，同时灯的指示灯也亮，再按一下“灯”键照明灯熄灭。



3、滑条式控制面板

1, 照明键

短按一次，照明键对应蓝LED指示灯闪烁显示，滑条进度指示LED亮两个并照明灯以一档亮度工作，此时操作滑条可进行照明灯亮度调节，一共有四级亮度；再短按一次，退出照明灯亮度调节并关闭照明灯，如果此时有其它功能开启，照明键对应红LED指示灯点亮。

2, 档位键

短按一次，电机键对应蓝LED指示灯闪烁显示，滑条进度指示LED亮两个并电机以一档风速工作，此时操作滑条可进行电机档位调节，一共有三档风速；再短按一次，退出电机档位调节并关闭电机，如果此时有其它功能开启，档位键对应红LED指示灯点亮。

16

循环模式：

油烟里的油脂和气味通过铝过滤网和活性炭过滤网分别被过滤掉后重新进入厨房。在循环模式下：必须同时安装有铝过滤网和活性炭过滤网。

速度控制

- 烟机安装有3挡电子式或机械式按钮控制速度。
- 低挡用于熬汤类的烹饪，中速用于小炒，高速用于油炸和爆炒。

使用说明

A. 按键式控制面板

☼ 灯

- 1 低速
 - 2 中速
 - 3 高速
- ⏻ 开关

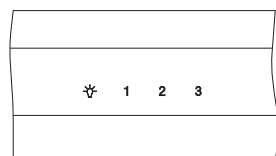


按键式控制面板

B. 电子式控制面板

☼ 灯

- 1 低速,可延时器关机排气5分钟
- 2 中速,可延时器关机排气5分钟
- 3 高速,可超高速排气5-7分钟



电子式控制面板

感应控制功能说明

● 功能要求

- 1、单相电机变档运行
- 2、照明灯正常通断

Ducted or Re-circulating mode

- Depending on your requirement, this appliance can be configured to operate in the ducted or re-circulating modes.
- DUCTED MODE: Fire proof ducting system of 150mm diameter vent the fumes through a suitable outlet. In the ducted mode, only the aluminium grease filters are installed.
- RECIRCULATING MODE: Fumes are filtered for grease and odour through the aluminium grease filters and the charcoal filters respectively and re-introduced into the kitchen environment. In re-circulating mode, both the

Speed Control

- The hood is equipped with a 3 speed mechanical/electronic control.
- Use the low speed for simmering, medium speed for light cooking. Use the high speed for frying or heavy cooking.

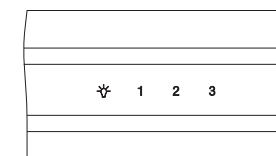
Instructions for use

A. Push Button Control Panel

- ⏻ Turns off the hood
- ① Low speed setting
- ② Medium speed setting
- ③ High speed setting
- ☼ Turns the light on/off

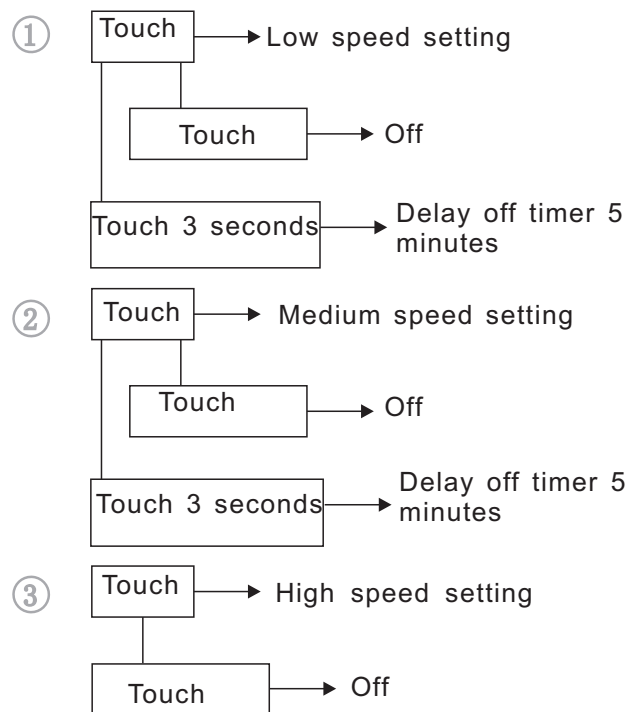


Push Button Control Panel



Electronic Control Panel

B. Electronic Control Panel



💡 Turns the light on/off

Delay off timer: This program is used to clear the kitchen of fumes after cooking & without supervision. The hood continues to run for 5 minutes then shut down automatically.



C. Slider control panel

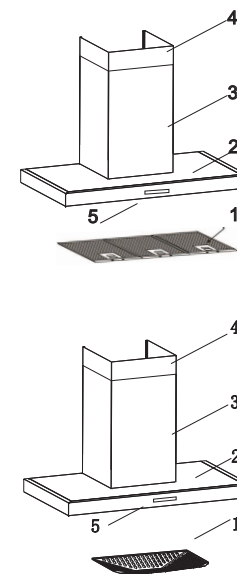
Light:

Touch short time—blue indicator flash—Sliding shows light at 25%Lux—as per need, 25%, 50%, 75% &100% available.

Touch short time again—light off. If other function is on—red indicator on. If no function on—all indicators off

功能与特点

- 1. 铝滤网 / 不锈钢滤网
- 2. 机体
- 3. 烟囱罩
- 4. 延长烟囱罩
- 5. 控制



外排或循环式

- 根据你的需求，可以设定吸油烟机是外排式还是循环式操作。

儿童安全

- 吸油烟机应由成年人操作。

清洁、维护与保养



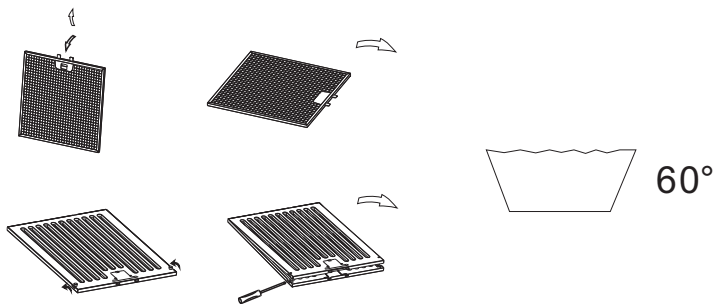
经常让烟机处于关闭和断电状态中!

● 表面:

用柔软的海绵和温暖的肥皂水清洗. 禁止使用酸性的清洁剂、粗糙的布或者是铁丝球和溶剂清洁此产品表面, 这样会给产品带来无法修补的损伤.

● 吸油过滤铝网:

经常清洁滤油网(每月至少一次), 大量油污积垢容易引起火灾. 在洗碗机里清洗或放在去脂溶液里浸泡一个小时, 然后取出凉干, 然后安装.



● 活性炭过滤网(仅用于循环模式中):

活性炭不可以重复使用. 他们必须用合适的活性炭来替代, 通常一年更一次, 更换的时间依产品使用频率而定.

- 为保证产品的正常运行, 定期保养是必须的.
- 过滤网的阻塞会减少气流并有可能导致电机过热.
- 不要擅自维修吸油烟机.
- 为了您的安全, 请坚持使用原装零配件.
- 在维修或清洁吸油烟机前, 先切断电源并拔出插头.

Motor:

Touch short time—blue indicator flash—Sliding shows motor on speed 1—as per need, 1, 2, 3 & turbo available.

Touch short time again—motor off.

If other function is on—red indicator on.

If no function on—all indicators off

Delay Function:

Touch short time—blue indicator flash—as per need, 5, 10, 15 & 20min available.

Touch short time again—delay function off. If other function is on—blue indicator on. If no function on—all indicators off.

Ventilation Function:

Touch short time—red indicator flash—as per need, 5, 10, 15 & 20min available.

Touch short time again—ventilation function off.

If other function is on—blue indicator on.

If no function on—all indicators off

for present working state:

If the hood turn on all the functions, the LED light for last operation will be flashing while the LED light for the others is bright.

If the countdown timer is working, but in order to check Ventilation time you can press the Ventilation button shortly, the red LED light will flash while the LED for the countdown timer is bright.

The function examined that may switch mutually between all

Cleaning & Maintenance



Always switch off and unplug first!

● SURFACES:

Wash with warm soapy water and a soft sponge. Never use abrasive detergent, scouring pads, steel wool or solvents on any part of this appliance as this will cause irreparable damage.

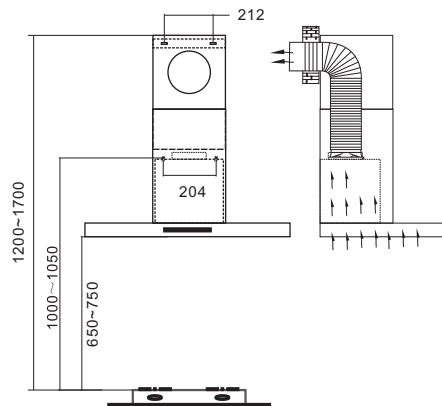
● ALUMINIUM GREASE FILTERS:

Wash in the dishwashers or soak the panels in a degreasing agent for an hour, then rinse off and dry before re-installing.

- CHARCOAL FILTERS (only in re-circulating model): Charcoal cannot be reused. They must be replaced with the appropriate types once a year or depending on the frequency of appliance usage.
- For this appliance to function effectively, regular maintenance is a must.
- Clogged filters restrict airflow and may cause the motor to overheat.

Installation

- Use suitable bolts to mount the appliance on a secure surface.
- The minimum distance between the bench top and the lowest part of the hood must not be less than 65cm or more than 75cm.
- The location of the installation must have permanent openings for ventilation.
- Regulations concerning the discharge of air have to be fulfilled.
- It is strongly recommended that the hood be installed right over the exhaust air from cooking.
- It is better not to install the outlet of the pipe in the wind direction, which can prevent the exhaust air from flowing backwards.
- Fasten the components for the exhaust outlet with screws. To ensure good ejection of exhaust air, the pipe must not be bended for too many times.



制造商给您的建议

在安装使用本机前,请仔细阅读本机的使用说明书。

本产品是符合以减少废物产生和重视环境的前提下加工生产的。

通过有效地使用本机并用正确方式来处理包装物来协助我们继续保护环境。

使用注意事项

安全



在使用前请仔细阅读这部分内容!

安装注意事项

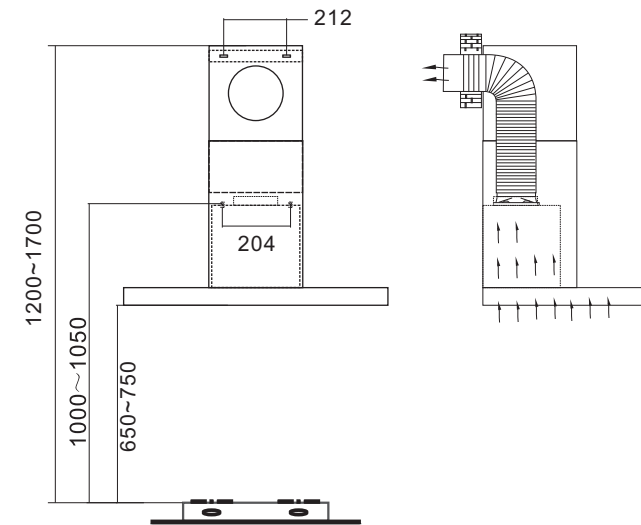
- 吸油烟机必须由合格的技术人员安装。
- 擅自更换吸油烟机的零部件会构成危险。
- 如果错误地更改正确的安装方法,本公司拒绝承担所有的责任。
- 确保吸油烟机安装在空气流通良好的地方。
- 注意避免空气倒流入烟囱管道。
- 烟机最低部位到灶具炉架面的高度不得少于65cm或高于75cm。
- 在适当的位置使用接地插座。
- 检查当地的电压是否与吸油烟机功率标贴上显示的一致。
- 不要把吸油烟机的外排管道靠近其它的高温管道(如壁炉)。

使用注意事项

- 本产品为家庭使用设计,并不适合商业使用。
- 使用后,确保所有控制键处于不工作状态。
- 在油煎食物时,请特别留意不要让在锅里的油或油脂着火。

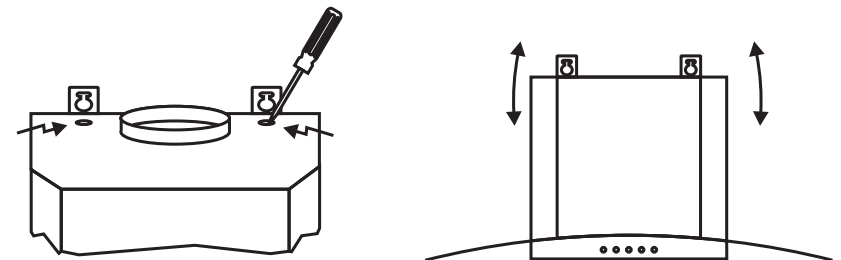
Troubleshooting

Symptoms	Possible Cause	Action
No go	No electrical supply	Check that the main switch is turned on
		Check that the plug is connected
Poor airflow	Aluminium grease filters clogged	Clean the filters and replace when dry
	Charcoal grease filters clogged	Replace charcoal filters with new sets
Motor running but no airflow	Butterfly valve jammed	Contact technician
Motor cuts after a few minutes	High temperature safety device activated	The kitchen is not sufficiently ventilated
	The hood is installed too near the cooking stove	The hood must be at least 65cm from stove
Strong cooking smell	Charcoal filters are not installed	Charcoal filters must be installed in re-circulating mode
Oil dripping onto stove	Oil cup missing or not installed	Remove aluminium filter and replace oil cup
	Aluminium grease filter saturated	Wash the aluminium grease filters
Whirring sound	Foreign object in contact with fan blade	Contact technician

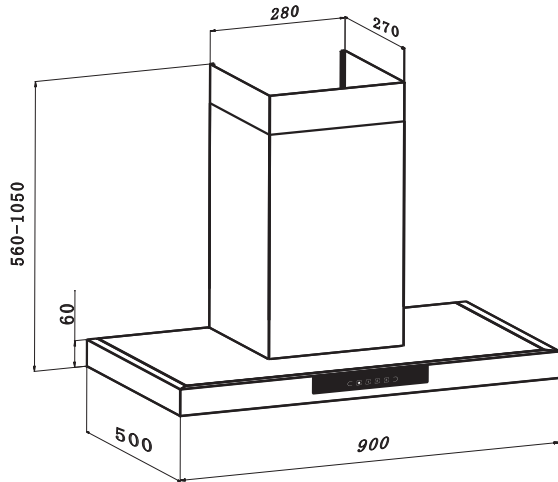


Levelling Device

When mounting the hood on the wall, the level can be adjusted by turning the two screws on the motor housing.



Hood Size



FOR THE INSTALLER

Safety Information

Connection to the electrical supply

Electrical connection must be made only in accordance to the local standards and laws.

Ensure that the electrical supply complies with the setting on this appliance, otherwise, do not connect.

The electrical connection of this appliance must be earthed. If unsure, check with a qualified electrician. Color code:

Green & Yellow = EARTH
Blue = NEUTRAL
Brown = LIVE

- Ensure that the power supply chord is free from any heat source or sharp objects.
- Replacement of lamp must not exceed 10W. LED lamp must not exceed 1.5W/7W.

Rating information

Rated Voltages	220V
Rated Frequency	50Hz
Power Input of Motor	330W
Power Input of Lamp	2x1.5W
Rated Input Power	333W
Capacity	$\geq 1050\text{m}^3/\text{h}$
Max. Pressure of Air	$\geq 380\text{ Pa}$
Noise	$\leq 72\text{dB}$