

---

PREMIÈRE  
**CHANEL**

USER GUIDE  
ENGLISH

---

## ADJUSTING THE TIME

### Watch models with a time adjustment corrector

Adjusting the time on these watches requires the use of a special tool found in the bottom of the case. It is very simple to use; just press the corrector on the back of the case (see illustration) or at 3 o'clock for the Premières Pearls.

#### 1/ SETTING THE HOUR

The hour is adjusted by short 2- to 4-second presses on the corrector. Both hands advance at the same time: the hour hand makes a rotation of one hour, and the minute hand makes a rotation of 60 minutes.

When changing time zones, this makes it easier to adjust the watch.

By pressing longer (continuously for over 4 seconds) on the corrector, the two hands advance simultaneously and much more rapidly.

#### 2/ SETTING THE MINUTES

Once the hour has been set, the minutes can be adjusted in a series of short presses (less than 2 seconds). Each press advances the hand by one minute.

#### NOTE:

Pressing on the corrector advances the hour and minute hands.

It is not possible to go backwards.



### Watch models with a crown

#### SETTING THE TIME

Crown C is normally placed in position 1.

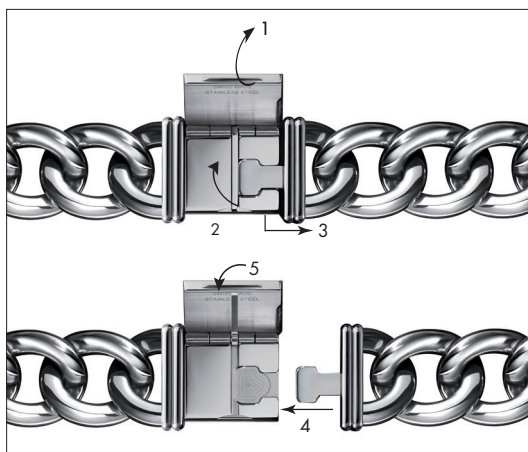
Pull the crown out one notch (position 2), turn to move the hands to the desired time.

Remember to push the crown back fully to return it to its original position.



- A - Hours hand
- B - Minutes hand
- C - Crown

FITTING THE PREMIÈRE WATCH TO THE WRIST



**Safety Clasp**

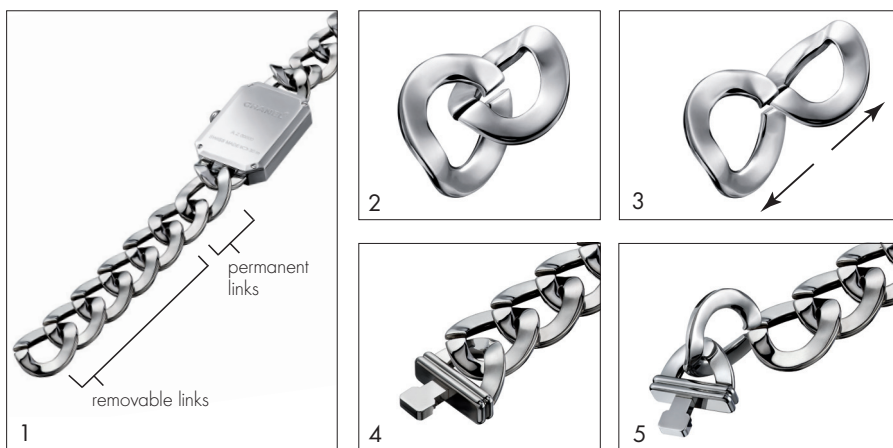
**TO OPEN**

- Raise the clasp cover (1)
- Raise the safety bar (2)
- Release the hook (3)

**TO CLOSE**

- Ensure that the safety bar is raised
- Attach the hook (4)
- Close the clasp cover (5)

ADJUSTING THE SIZE OF THE PREMIÈRE WATCH BRACELET



The size of the bracelet must only be adjusted when the removable links are located on either side of the clasp.

**REMOVE LINKS:**

1. Position the watch so that the case-back can be seen.
2. Place the openings of each link opposite one another.
3. Pull delicately so as to separate out the links.

Remove the appropriate number of links as required by repeating Stages 2 and 3.

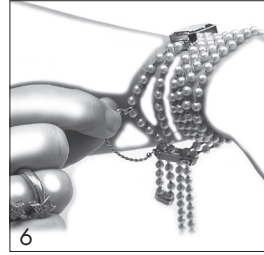
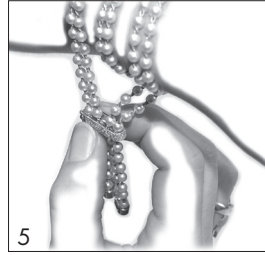
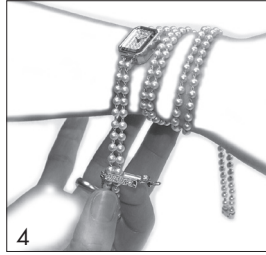
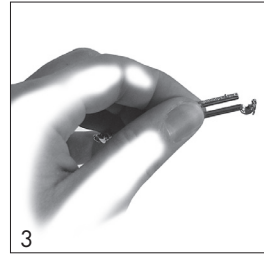
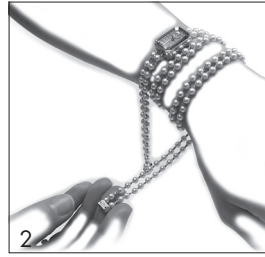
**COMPLETING THE SIZE ADJUSTMENT:**

4. Re-position the watch so that the case-back can be seen (1). Place the remaining links attached to the clasp facing in the same direction as the links in the bracelet (with the openings visible).
5. Insert the remaining links so as to complete the size adjustment.

As far as possible, ensure that the bracelet size is adjusted in a balanced way by removing the same number of links from each end of the bracelet. If there is an odd number of links, it is better to remove 1 additional link at 6 o'clock rather than at 12 o'clock.

### FITTING THE PREMIÈRE PEARLS WATCH TO THE WRIST

Due to the unique design of your Première Pearl watch, it is advisable to have it fitted in the CHANEL boutique.



1. Place the watchcase on your wrist
2. Wind the pearl bracelet 2 turns around your wrist
3. Open the clasp
4. Slide 2 pearls of each double strand into the clasp. The choice of the pearls will depend on your wrist size and your style preference
5. Shut the clasp not forgetting to push the security "8" closed
6. Attach the security clasp between 2 pearls on the shorter double strand.

**Caution:** when taking off your watch, it is strongly recommended to leave the security clasp attached to the bracelet strand, to maintain the fit of the bracelet and to avoid losing the clasp.