

SAFETY GUIDE - PLEASE READ CAREFULLY

- Please follow all the safety precautions listed below for safety and to reduce the risk of injury or electrical shock.
- Read all the instructions carefully before using this appliance and keep them for future reference.
- Retain the manual. If you pass the product on to a third party, make sure to include this manual.
- Unplug the appliance from the mains supply when not in use, or before cleaning any part of the appliance.
- This appliance is for household use only.
- Do not use outdoors or in damp or wet conditions.
- Do not immerse the appliance or the electrical cord or plug in liquids.
- Do not use the appliance near a fire, oven or other source of heat.
- Place the appliance on a stable and flat surface where there is no risk of it tipping over or being knocked over.
- Ensure that there is enough space for the heater while operating. There should be at least 20 cm clearance around the heater and 1 m above the heater.
- DO NOT place the appliance immediately below an electrical socket or other appliance.
- Do not use the heater in front of or close to an open window. Rain may create an electrical hazard.
- Keep flammable and explosive objects away from the heater.
- DO NOT hang the appliance on a wall, furniture, etc.
- DO NOT use the heater in the immediate surroundings of a bath, a shower or a swimming pool.
- DO NOT place the appliance close to children or pets. Never let children operate this appliance. Close supervision is necessary when this appliance is used near children.

- This appliance is not intended for use by persons (including children) with reduced physical, sensory or mental capabilities, or lack of experience and knowledge, unless they have been given supervision or instruction concerning use of the appliance by a person responsible for their safety.
- Children should be supervised to ensure that they do not play with the appliance.
- When unplugging the power cord, hold the plug top, not the power cord.
- Store the appliance away from direct sunlight and out of the reach of children.
- Do not cover the heater or use it to dry laundry or towels.
- Never insert any objects into the spaces between the heater bars.
- Do not place soft objects or fabrics over or in close proximity to the heater or otherwise obstruct the inlet or outlet.
- There are no user serviceable parts in your appliance. Unauthorised dismantling or servicing will void the product warranty.
- Do not operate the appliance with a damaged cord or plug or after the appliance or any component has been damaged. Send the heater to a suitably qualified or appointed service agent for inspection and repair.
- Do not use the appliance for any purpose not expressly specified in this manual.
- THIS APPLIANCE MUST BE ATTENDED AT ALL TIMES WHEN IT IS SWITCHED ON

SPECIAL INSTRUCTIONS

This heater is filled with a precise quantity of special oil.

Repairs requiring opening of the oil container are only to be made by the manufacturer or an appointed service agent who should be contacted if there is an oil leak.

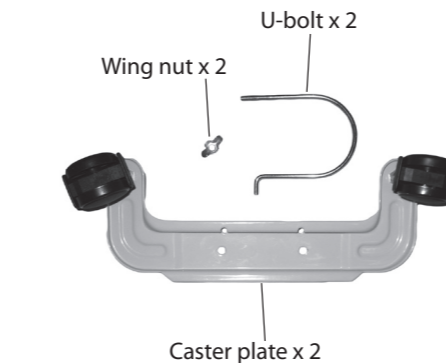
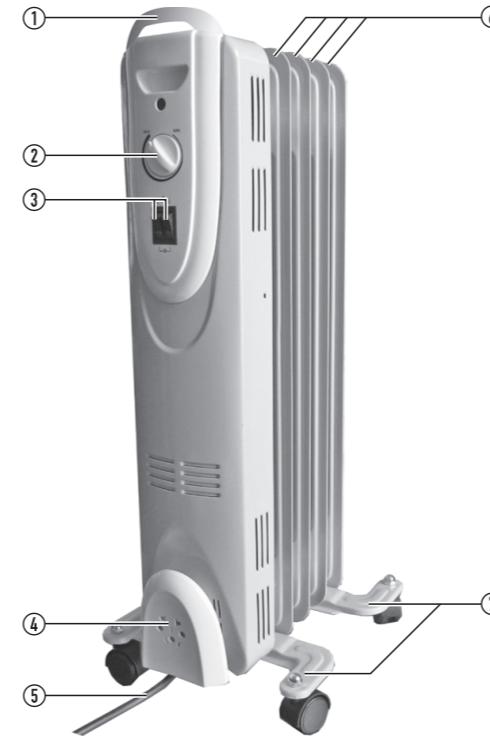
Regulations concerning the disposal of oil when scrapping the appliance have to be followed.

TILT SWITCH

This appliance includes a tilt switch as a safety feature. If the appliance is not placed on a flat, level surface, the tilt switch will switch off the appliance.

CONTROLS AND FEATURES

1. Handle
2. Temperature control
3. Power selector switches
4. Mains lead storage
5. Mains lead
6. Radiator heated bars
7. Casters



ELECTRICAL INFORMATION

Before using this appliance ensure that the voltage of your electricity supply is the same as that indicated on the rating plate of the appliance.

PREPARATIONS FOR USE

Remove all exterior packaging from the heater. If you dispose of any packaging please do so according to any recycling regulations.

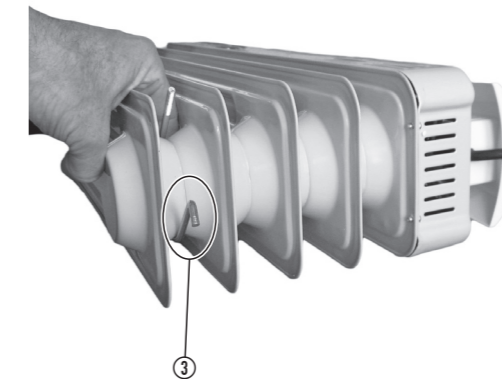
FITTING THE CASTERS

The casters are mounted on a plate, each with a fixing kit of a U-bolt and a wing nut.

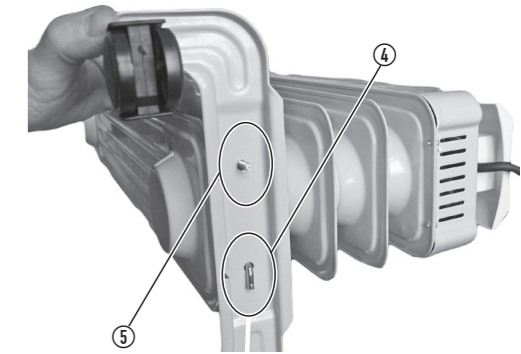


CAUTION: It is essential that the casters are fitted before using the heater to ensure that the appliance is stable and that adequate clearance is available for air to flow over the radiator bars.

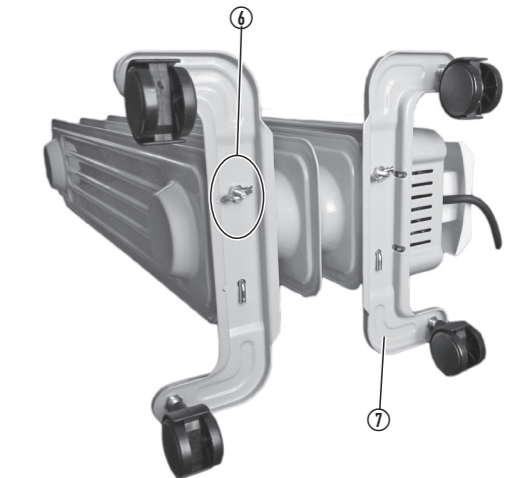
1. Prepare a work surface by placing a blanket or similar protection on a table at a convenient working height.
2. Lay the radiator on its side so that the base of the radiator hangs over the table end.
3. Slide the U-bolt through the slot between the end two radiator bars. Position the hooked end as shown below, ready to engage in the hole in the caster plate.



4. Engage the hooked end of the U-bolt through the caster plate.



5. Rotate the U-bolt so that the threaded end passes through the other hole in the caster plate.
6. Lock the caster plate to the radiator with a wing nut.



7. Fit the second caster plate in the same way. Your heater is now ready to use. Carefully lift the heater down to stand on the casters.

OPERATION & CONTROLS

1. Position the heater in the room, ensuring there is at least 20cm clearance around the heater and 1 m above it. Check that the airflow through the radiator bars is unobstructed.
2. Set the power selector switches to the '0' (off) position.
3. Unwind the mains lead fully, connect the mains plug to a mains outlet and switch on the power at the outlet.
4. Switch on the power selector switches to the low, medium or high power setting. Use the low power setting for smaller rooms. Use the medium or high power setting if the room is larger or if the temperature in the room is very cold.
 - For low power (400 W), press switch I to the I'on' position.
 - For medium power (600 W), press switch II to the II'on' position.
 - For high power (1000 W), press both switches to the III'both on' position.

The indicators on the switches will light to show which switches have been pressed.
5. Turn the temperature control clockwise to the maximum position (Max).

The power indicators on the switches you selected will light and the heater will begin to warm the room.

6. When you feel the room temperature is comfortable, turn the temperature control anti-clockwise slowly until the power indicator(s) extinguish.

The thermostat will now switch the heater on and off to keep the room at this temperature. The light(s) in the switches will switch off when the thermostat reaches the temperature you set.



CAUTION: Do not touch the main body of the heater when operating - danger of burns.



CAUTION: Never hold the heater body when moving the heater. Always disconnect the heater before moving and hold the handle at the top of the control panel when moving it.

AFTER USE

1. Turn the power selector switches to the '0' (off) position. Disconnect the plug from the mains.
2. When the heater has cooled you can coil the mains lead around the mains lead storage reel, pressing the plug into the end of the reel. Ensure that the lead is coiled loosely with no kinks, particularly where it exits from under the reel.
3. Allow the heater to cool fully before moving it to a safe place, away from children and pets.



CAUTION: Never use the heater with any part of the mains lead wound around the reel. The mains lead must always be fully unwound when operational.

CARE AND MAINTENANCE

Ensure that the appliance has cooled completely and is disconnected from the mains before cleaning it.

Use a barely damp cloth to clean the surface of the appliance. Ensure that no liquids penetrate the heater casing.

Do not use abrasive chemicals, steel wool, scouring or abrasive pads on any part of the heater.

Dry thoroughly before re-use or storage.

SPECIFICATIONS

Model:..... OFR1K10

Voltage:..... 220 - 240 V~, 50 Hz

Power consumption:..... 900 - 1100 W

Net Weight:..... 5.4 kg



IMPORTANT: THIS APPLIANCE MUST BE EARTHED.

WARRANTY

Your appliance is covered by a warranty for 12 months from the date of purchase. If a fault develops during this period, please return the unit to your nearest Tesco store together with the original receipt as proof of purchase. This warranty in no way affects your consumer rights



UK: Waste electrical products /batteries should not be disposed of with household waste. Separate disposal facilities exist, for your nearest facilities.

See www.recycle-more.co.uk or in-store for details.

ROI: Produced after 13th August 2005. Waste electrical products/batteries should not be disposed of with household waste. Please recycle where facilities exist. Check with your Local Authority or retailer for recycling advice.

