

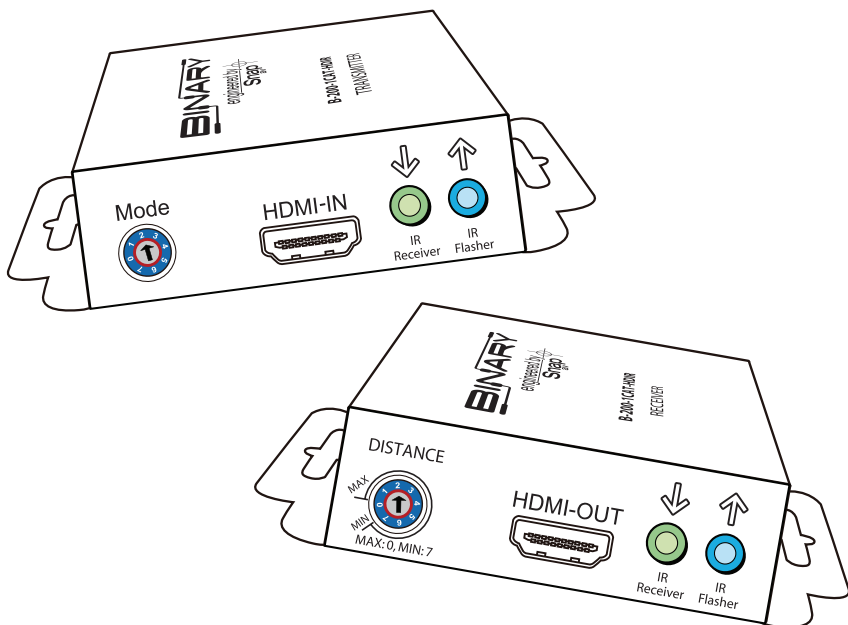


engineered by
Snap
av

OWNER'S MANUAL

>> Binary™ Single Cat 5e/6 HDMI 1.4
3DExtender Plus IR Receiver & Flasher
Pass-Through (130 Ft.)

B-200-1CAT-HDIR



WELCOME TO THE BINARY™ BRAND OF PRODUCTS

This product is engineered to provide years of exceptional reliability. Binary™ is one of the most highly regarded brands available today. We appreciate your business and we stand committed to providing our customers with the highest degree of quality and service in the industry.

IMPORTANT SAFETY INSTRUCTIONS

1. Read and follow all instructions and warnings in this manual.
Keep for future reference.
2. Do not install near any heat sources such as radiators, heat registers, stoves or other apparatus (including amplifiers).
3. Do not install the unit near water or where moisture is present.
4. Clean with a dry cloth.
5. Unplug this apparatus during lightning storms or when unused for long periods of time.
6. Protect the power cord from being walked on or pinched particularly at plug, convenience receptacles, and the point where it exits from the apparatus.
7. Refer all servicing to qualified service personnel. Servicing is required when the apparatus has been damaged in any way, such as when the power-supply cord or plug is damaged, liquid has been spilled or objects have fallen into the apparatus, the apparatus has been exposed to rain or moisture, does not operate normally, or has been dropped.
8. To completely disconnect this equipment from the AC mains, disconnect the power supply cord plug from the AC receptacle.

CAUTION: To reduce the risk of electrical shock, inspect the premises carefully. Do not use the unit if proper equipment grounding cannot be verified.

PACKAGE CONTENTS

- (1) B-200-1CAT-HDIR (Transmitter and Receiver)
- (4) Mounting Screws
- (8) Rubber Feet
- (2) 5V power supply units
- (1) User manual
- (1) IR Adapter Cable

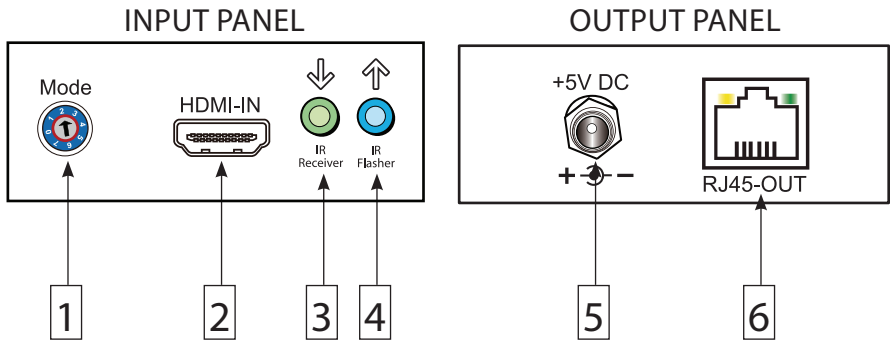
INTRODUCTION

The B-200-1CAT-HDIR extends HDMI over single Cat5e/6 allowing video and audio transmission. In addition, the B-200-1CAT-HDIR is equipped with bi-directional IR pass-through allowing users to boost IR control distance up to 200 ft. making IR control possible with no additional wires. The B-200-1CAT-HDIR also supports the most advanced 3D video format, which is compliant with HDMI 1.4 3D specifications, and guarantees the highest 3D video compatibility on the market.

FEATURES

- HDMI 1.4 3D
- Extend the transmission up to 200 ft. from the HDMI source at HD 1080i or 720p 24-Bit
- Extend the transmission up to 130 ft. from the HDMI source at Full HD 1080p 24-Bit
- Extend the transmission up to 65 ft. from the HDMI source at Full HD 1080p 36-Bit
- HDCP 1.1 compliant
- Maximize adjustable 8-level equalization control
- Uncompressed 7.1 channel digital HDMI over Cat5e/6 cable transmission
- DTS-HD Master and Dolby TrueHD audio support
- Supports full frequency IR signal from 20kHz to 60kHz
- Bi-directional IR pass-through
- Wall-mountable housing design for easy installation

Note: The transmission distance is subject to the quality of installed cable(s), source device, and display. Any keystone jack or other connections along the transmission path will reduce the transmission performance significantly. To minimize the chance of EMI, STP (Shielded Twisted Pair) cable is recommended.



TRANSMITTER

NOTE: Transmission distance up to 200 feet at 1080i, 130 feet at 1080p (24-Bit), and 65 feet at 1080p (36-Bit)

1. MODE:

EDID Setting	Supported Resolutions	Color Depth	Audio Channels
0	1080p @60	24-Bit	7.1
1	1080p @60	24-Bit	2
2	1080p @60	36-Bit	7.1
3	1080p @60	24-Bit 3D	7.1
4	1080p @30, 1080i @60, 720p @60	24-Bit	7.1
5	1080p @30, 1080i @60, 720p @60	24-Bit	2
6	1080p @60	24-Bit 3D	2
7	Learning Mode	—	—

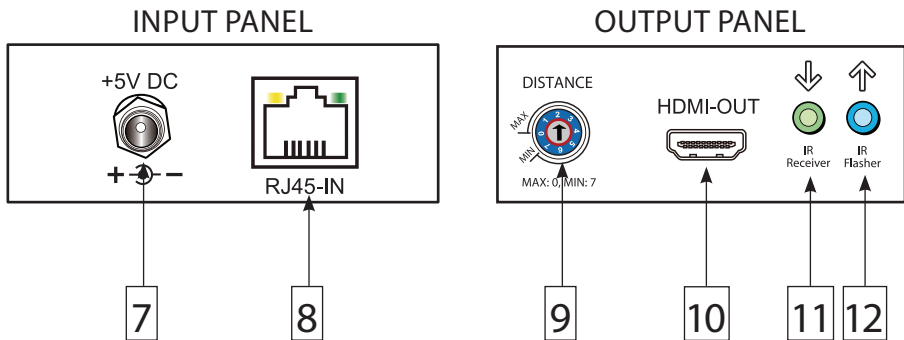
2. HDMI IN: Connects to a HDMI source with a HDMI male-to-male cable
(1 meter or shorter HDMI cable is recommended)

3. IR Receiver: Infrared 3.5mm jack for IR receiver or IR adapter cable for connection to a control system

4. IR Flasher: Infrared 3.5mm jack for IR flasher

5. Screw-locking power jack: Connect to the provided 5V DC power supply

6. RJ45: Plug in a Cat5e/6 cable that needs to be linked to the transmitting unit



RECEIVER

7. Screw-locking power jack: Connect to the provided 5V DC power supply

8. RJ45: Plug in a Cat5e/6 cable that needs to be linked to the transmitting unit

9. Rotary control: Adjust the 8-level equalization control to the received HDMI signals. The HDMI signal level varies from 0 (strongest) to 7 (weakest) for respective transmission length from longest possible range to short distance. Adjust the signal level from 7 to 0 and stop turning the rotary switch whenever the audio/video is playing normally. Inappropriate signal level setting may cause an overpowering issue that would shorten the product life significantly.

10. HDMI OUT: Connect to an HDMI display with a HDMI male-to-male cable
(1 meter or shorter HDMI cable is recommended)

11. IR Receiver: Infrared 3.5mm jack for IR receiver

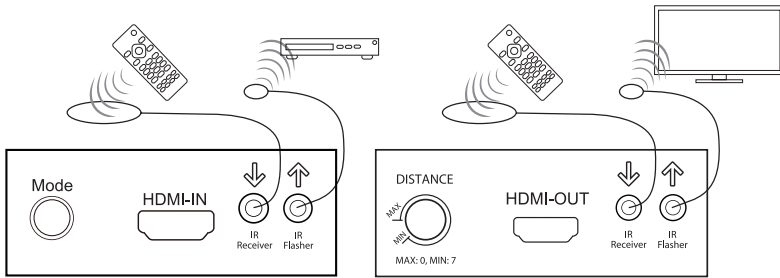
12. IR Flasher: Infrared 3.5mm jack for IR flasher

EDID LEARNING

1. Connect the HDMI display to "HDMI IN" on the Transmitter with a HDMI cable.
2. Set "MODE" on the transmitting unit to "7".
3. Power on the Transmitter by connecting the 5V Power Supply.
4. The LED on the RJ45 of the transmitter will flash On and Off once to learn the EDID. Keep the mode dial on "7" at all times to use the learned EDID.
5. Unplug the HDMI cable from the display and follow the installation instructions below to install the B-200-1CAT-HDIR.

IR PASS-THROUGH

IR signals can be passed from the transmitter to the receiver over the Cat5e/6 cable. Each unit will need both an IR Receiver and an IR Flasher (sold separately). This allows the units to receive IR information and transmit it.



CAUTION: Incorrect connection of the IR Flasher and Receiver may result in IR extender failure. Check carefully before plugging in the IR extender to the respective IR sockets. Warranty will not cover the damage.

NOTE: This product was specifically engineered for Episode® IR products. Use of the following products is highly recommended (items not included).



IR Flasher
(Episode® IRF-1
or Episode® IRF-2)

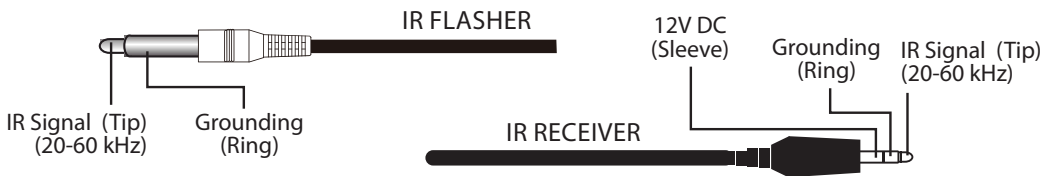


IR Receiver
(Episode® IR-SM-3660
or Episode® IR-TT-3660)



Mini Mono Cable
Binary™ B3-MonoMini-.5,
B3-MonoMini-1, or B3-MonoMini-2

SPECIFICATIONS

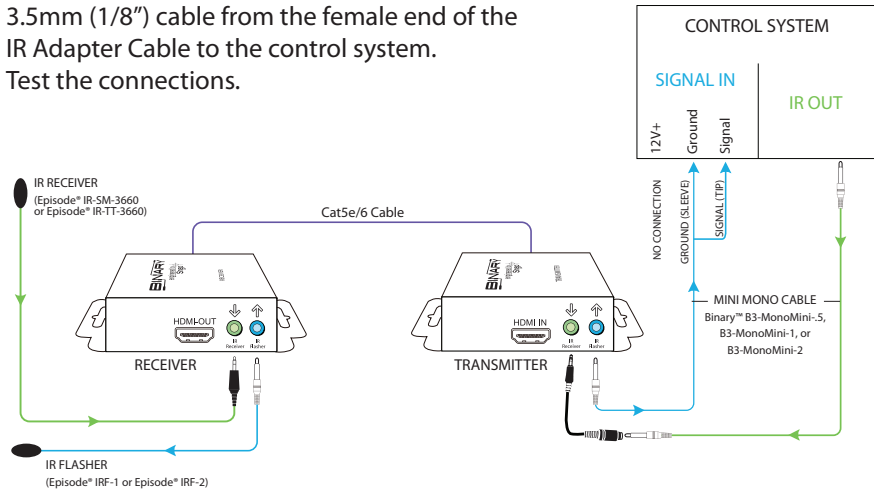


IR ADAPTER CABLE FOR CONTROL SYSTEMS (INCLUDED)



IR INTEGRATION WITH A CONTROL SYSTEM

The IR Receiver connection on the Transmitter is designed to operate with Episode® IR products. When connecting the Transmitter to an IR Remote Control System or Home Automation system to control the display from the control system, it is necessary to convert the connection from a stereo 3.5mm (1/8") cable to a mono 3.5mm (1/8") cable and eliminate 12VDC. Included in the box is an IR Adapter Cable to make this connection very simple. First, connect the male end of the IR Adapter Cable to the IR Receiver jack on the Transmitter. Next, connect a mono 3.5mm (1/8") cable from the female end of the IR Adapter Cable to the control system. Test the connections.



INSTALLATION

1. Learn the EDID from the Display to the Transmitter (see EDID Learning section) or select the appropriate mode (see transmitter section).
2. Connect a HDMI source (such as a Blu-ray Disc player) to the transmitting unit.
3. Connect a HDMI display (such as a LCD TV) to the receiving unit.
4. Connect IR Flashers/Receivers to both transmitting and receiving units. Use a 1 meter or shorter HDMI cable.
5. Connect a Cat5e/6 cable between the units, ensuring the cable is tightly connected and not loose. **WARNING- Do not make terminations to the CAT5e/6 while connected to the extender.**
6. Plug in 5V DC power supply unit to the power jack of both the transmitting and receiving unit.
7. If you see flickering or blinking images on the display, adjust the distance control switch to improve the cable skew. Use "0" for the longest possible transmission length, and "7" for a short transmission length. Adjust the signal level from "7" to "0" and stop turning the rotary switch whenever the audio/video is playing normally. Overpowering signal levels can significantly shorten the life of the product.

Do NOT over-power the EQ signal strength when adjusting the EQ. Start from "7" and turn dial slowly to "6" and on. Once the audio/video is working properly, do not continue to turn the EQ dial.

SPECIFICATIONS

Technical	Transmitter	Receiver
HDMI Compliance	HDMI 1.4 3D	
HDCP Compliance	Yes	
Video Bandwidth	Single-link 225MHz (6.75Gbps)	
Video Support	480i / 480p / 720p / 1080i / 1080p60	
HDMI over UTP Transmission (24-bit)	Full HD (1080p)-130ft (CAT5e) / 165ft (CAT6) HD (720p/1080i)- 165ft (CAT5e) / 200ft (CAT6)	
Audio Support	Surround sound (up to 7.1ch) or stereo digital audio	
Signal Equalization	8-level digital control at RX	
Input TMDS Signal	1.2 Volts (peak-to-peak)	
Input DDC Signal	5 Volts (peak-to-peak, TTL)	
ESD Protection	(1) Human body model — ±19kV (air-gap discharge) & ±12kV (contact discharge) (2) Core chipset — ±8kV	
PCB Stack-Up	4-layer board (impedance control — differential 100Ω; single 50Ω)	
IR Pass-Through	Bi-directional	
Input	1x HDMI, 1x 3.5mm	1x RJ45, 1x 3.5mm
Output	1x RJ45, 1x 3.5mm	1x HDMI, 1x 3.5mm
HDMI Source Control	Controllable via IR pass-through from RX to TX with IR extenders	
IR Remote Control	Carrier frequency: 20-60kHz	
HDMI Connector	Type A (19-pin female)	
RJ45 Connector	WE/SS 8P8C with 2 LED indicators	
3.5mm Connector	IR transmitter	IR receiver
Rotary Control Switch	Mode	Signal level
Mechanical		
Housing	Metal enclosure	
Dimensions (L x W x H)	Tx and Rx each 2.9" x 3.5" x 1"	
Weight	Tx and Rx each 1.1 lbs	
Power Supply	5V DC 2A	
Power Consumption	3 Watt (max)	
Operation Temperature	32~104°F	
Storage Temperature	-4~140°F	
Relative Humidity	20~90% RH (no condensation)	

*Note: Specifications are subject to change without notice. Dimensions and weight are approximate.

WARRANTY

2-Year Limited Warranty

This Binary™ Product has a Two-Year Limited Warranty. This warranty includes parts and labor repairs on all components found to be defective in material or workmanship under normal conditions of use. This warranty shall not apply to products which have been abused, modified or disassembled. Products to be repaired under this warranty must be returned to SnapAV or a designated service center with prior notification and an assigned return authorization number (RA).