

# CPCV4

## Hardware Manual

(070PR, 102WR)

[Version 1.0]

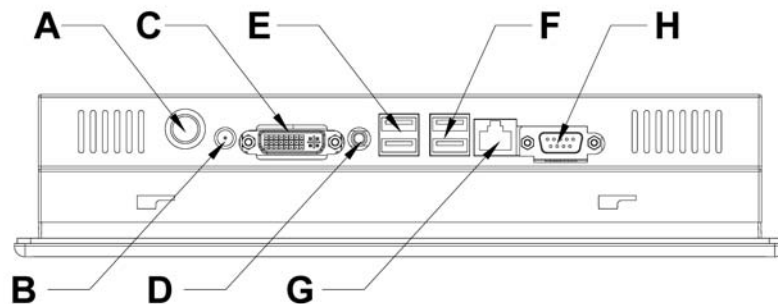
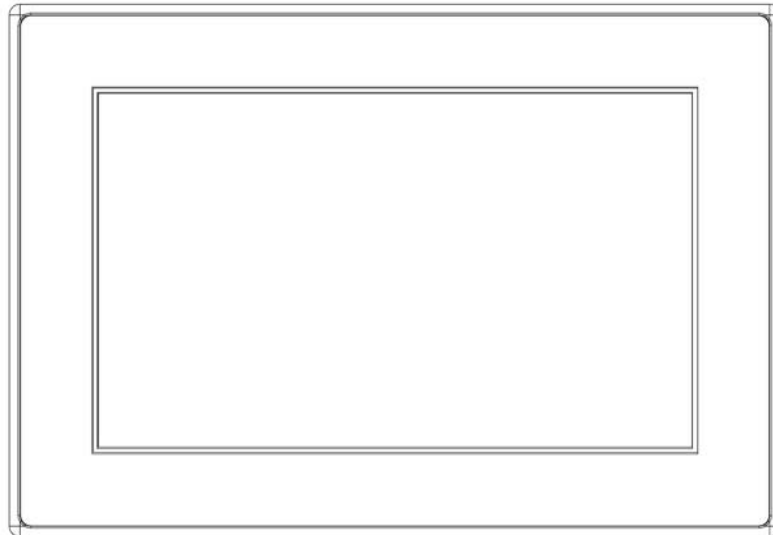


**COMFILE**  
**TECHNOLOGY**  
COMFILE Technology, Inc.

## 1. Hardware Specification

Item	Model name	
	CPCV4-070PR	CPCV4-102WR
CPU	Intel ATOM N2600 Dual 1.6GHz	
Chipset	Intel NM10	
Memory	4GB SODIMM DDR3 SDRAM	
Graphic & Display	Intel Cedarview Intergrated Graphics Controller 1 x DVI Output Port	
LCD	7inch 262K Colors, WVGA(800x480),300cd/m <sup>2</sup>	10.2inch 262K Colors, WVGA(800x480),350cd/m <sup>2</sup>
Backlight	LED Backlight LT : >30,000hr	LED Backlight LT : >20,000hr
Ethernet	1 x Gigabit Ethernet, Intel 82745L	
Audio	VIATECH VT1708 HD Audio Codec 1 x Audio Out Port	
USB	4 x USB2.0	
HDD	64GB m-SATA	
Input Power	DC+12V	
Power Consumption	<15W (1.2A@12V)	<17W (1.4A@12V)
Dimension(mm)	149(H) x 193(V) x 53(D)	200(H) x 289(V) x 61(D)
Weight	1.2 Kg	1.7 Kg
Operating Temperature	0°C ~ 70°C	

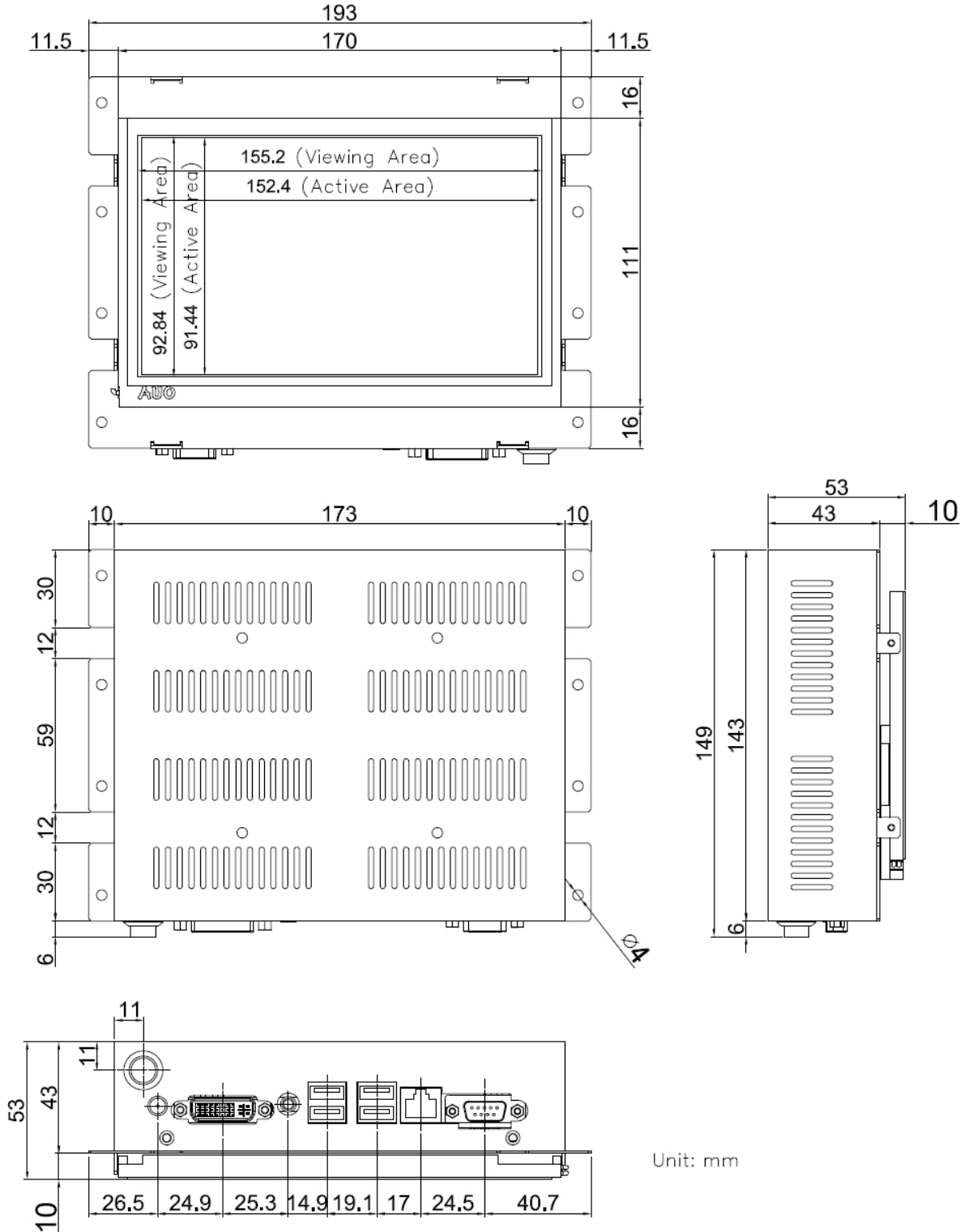
## 2. External Parts



	Name	Description
A	ATX Power S/W	ATX mode power switch. Boot or exit the system.
B	DC IN	ø2.5 Adaptor Input Connector (DC +12V)
C	DVI Port	DVI output for external monitor.
D	Audio Out	Sound output for external speaker
E	USB Port	USB1/USB2 (USB2.0)
F	USB Port	USB3/USB4 (USB2.0)
G	LAN Port	Support Gigabit LAN, with RJ-45 type connector
H	COM1 Port	COM1 (RS232C, D-SUB 9Pin Male Type)

### 3. Dimensions

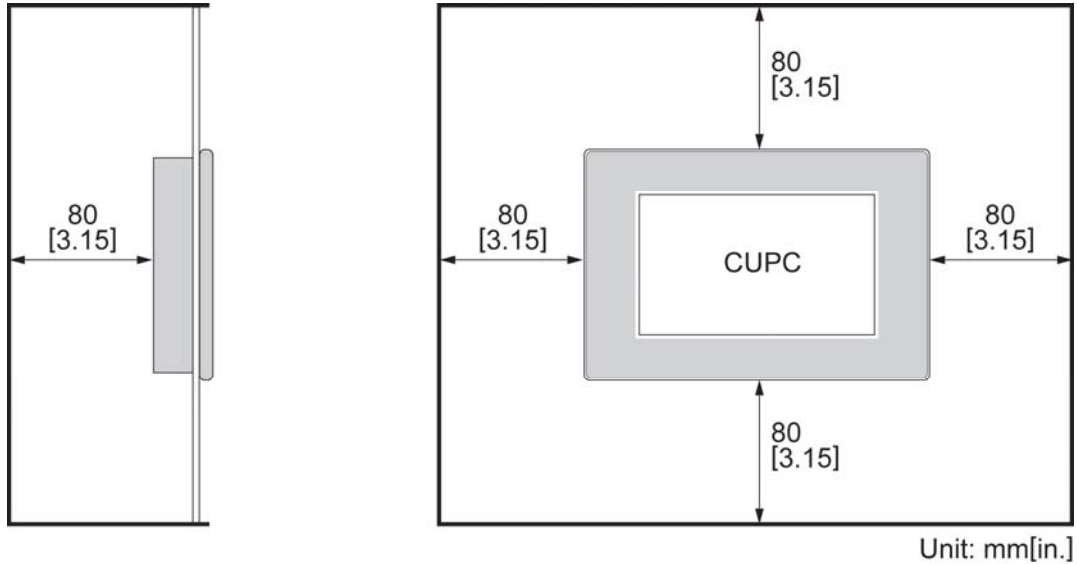
[CPCV4-070PR]



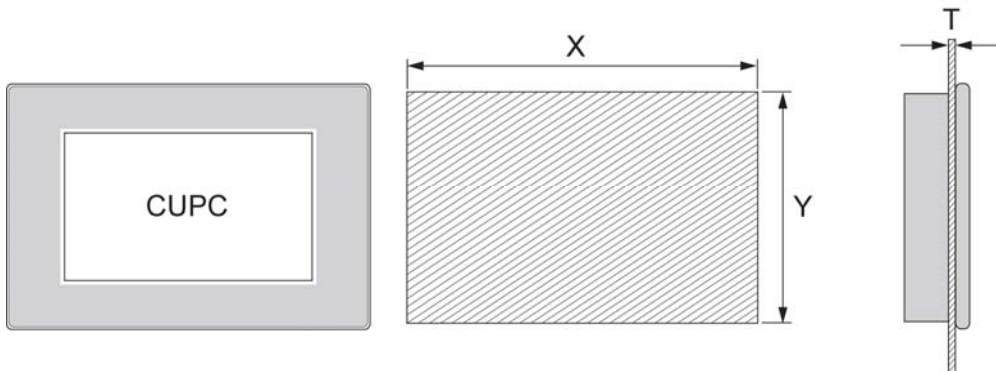


## 4. PANEL CUTOUT

### Installation Requirements



### CPCV4-070PR/102WR Installation



X: Panel Cutout Width, Y: Panel Cutout Height, T: Panel Thickness

Unit: mm[in.]

CUPC 모델명	X	Y	T
CPCV4-070PR	154 [6.06]	92 [3.62]	N/A (open frame type)
CPCV4-102WR	272 [10.7]	183 [7.2]	1.6 to 6.0 [0.06 to 0.23]

## 5. Bracket Installation

\* To fasten CUPC-P200 to an upright panel, refer to [CPCV4 Series Installation Guide].

## 6. Input/Output Connectors

### ■ DVI Output Connector

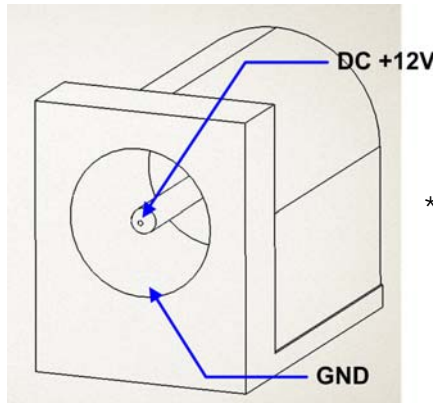
Connector Type							
Pin Assignment							
Order	Name	Order	신호명	Order	신호명	Order	신호명
D1	TMDS_D2-	D2	TMDS_D2+	D3	GND	D4	-
D5	-	D6	DVI DDC_CLK	D7	DVI DDC_DATA	D8	VGA_VSYNC
D9	TMDS_D1-	D10	TMDS_D1+	D11	GND	D12	-
D13	-	D14	DVI DDC_VCC	D15	GND	D16	DVI HPD
D17	TMDS_D0-	D18	TMDS_D0+	D19	GND	D20	-
D21	-	D22	GND	D23	TMDS_CLK+	D24	TMDS_CLK-
C1	Analog RED	C2	Analog GREEN	C3	Analog BLUE	C4	VGA_HSYNC
C5	GND						

### ■ RS232C Input/Output Connector (COM1)

Connector Type			
*D-SUB 9Pin Male			
Pin Assignment			
Order	Name	Order	Name
1	DCD	2	RXD
3	TXD	4	DTR
5	GND	6	DSR
7	RTS	8	CTS
9	RI	-	-



**I** Power Input Connector



\*  $\varnothing$  2.5 Adaptor Jack

 **Caution for wiring**

- Please make sure if every power supply is off before starting wiring.
- Please check the voltage and cables before supplying power.

## 7. Warranty Policy

### ■ Warranty Period

The products are warranted to be free of defects in materials and workmanship for 1 year from the date of purchase.

### ■ Warranty Exclusions

The warranty does not cover abrasion and is considered void if the product is opened by unauthorized person, damaged by abnormal use, heat or humidity, or used against user manual.

### ■ Request of Warranty Repair

If the products have defect(s) during the warranty period, the customer should inquire at the manufacturer or dispatch the products with the description to the address the manufacturer provides. If the request is appropriate, the manufacturers repairs and dispatch it to the customer.

### ■ Limitation of Liability

The manufacturer and distributor are not responsible for damages or breakdowns caused by direct or indirect reasons, and the maximum duty of manufacturer and distributor are limited to the total amount paid by the customer. The limitations or exclusions of warranty have priority over any other warranty expressed explicitly, implicatively, in writing, or orally.

# CPCV4

## Hardware Manual

(070PR, 102WR)

### Contact Information

Should you need any additional information or assistance about CPCV4, please feel free to contact us.

**Comfile Technology Inc.**

14 Pidgeon Hill Drive, Suite 310, Sterling, VA 20165, U.S.A

**Telephone**

**Toll-Free : (888) 9CUBLOC, (888) 928 2562**

Office : (571) 322 5010

Fax : (571) 322 5011

Office Hours: Monday-Friday 9am-5:30pm EST

**E-mail**

Sales: [sales@comfiletech.com](mailto:sales@comfiletech.com)

Technical Support: [support@comfiletech.com](mailto:support@comfiletech.com)