



31-200 8½" DISC SANDER

The 8½" Disc Sander permits straight, angular, curved and convex surfaces to be finished accurately. For circular, band and scroll sawed work, beveling edges and ends of square stock and rounding corners, it is ideal. It can be used for finishing wood, plastics, non-metals and metals in the home workshop.

TILTING THE TABLE

The table of disc sander can be tilted 45 degrees down and 30 degrees up. To make this adjustment, loosen the handknob (A) Fig. 1, and tilt the table to the desired position.

PAPER SANDING DISCS

The abrasive paper discs used on the disc sander depend upon the job at hand. Garnet is used for sanding both wood and plastics. When a garnet sanding disc becomes filled or loaded, we suggest replacing it, since continued operation will result in burning the work instead of cutting away the stock. Use coarse paper discs for rough work and reserve the fine paper discs where a smooth finish is required. These discs give a nice, clean cut because the garnet used is hard enough to retain its sharp edges, thus insuring long life and economical operation.

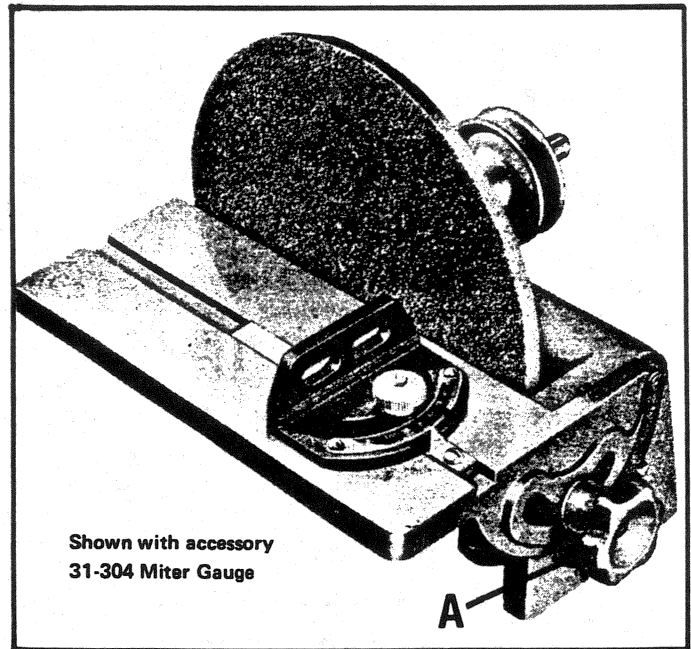
LUBRICATION

The steel shaft of the disc sander rotates in two porous bronze bushings which are press fitted into the sides of the base casting. These bushings hold approximately 30 percent of their volume in oil, by the oil seeping into the voids of the bushing material.

These bushings have been saturated with oil before assembling the disc sander, consequently they will run a considerable length of time without adding lubrication. We suggest frequently oiling these bushings by lifting the cap of the oiler on top of the base casting.

Since the bushings are porous the oil is allowed to seep slowly through the bushing material replacing the oil which may have been lost from the bushing. Oil seepage will be somewhat faster when the disc sander is run continuously, due to higher temperature of the bushings. By allowing the oil to seep through the porous bronze bushings instead of having the bushing drilled for oiling it is possible to prevent the entrance of grit and abrasive material from entering the bushings and cause excessive wear.

We suggest using a good grade of SAE 20 oil which is suitable for this disc sander. With this type of lubrication there may be a slight amount of oil leakage from these bushings this leakage of oil will permit dust particles, abrasive particles, etc., to adhere to the base casting. We suggest wiping any



Shown with accessory
31-304 Miter Gauge

A

Fig. 1

excessive leakage of oil from the sides of the base casting to avoid the possibility of any grit entering the porous bronze bushings.

OPTIONAL MOTORS

No.	H.P.	Bearings	Speed	Volts
62-133	⅓	Sleeve	1725	115
62-134	⅓	Ball	1725	115
62-142	½	Ball	1725	115

ACCESSORIES

Miter Gauge

No. 31-304 For use with 31-200 8½" Disc Sander.

Sanding Discs

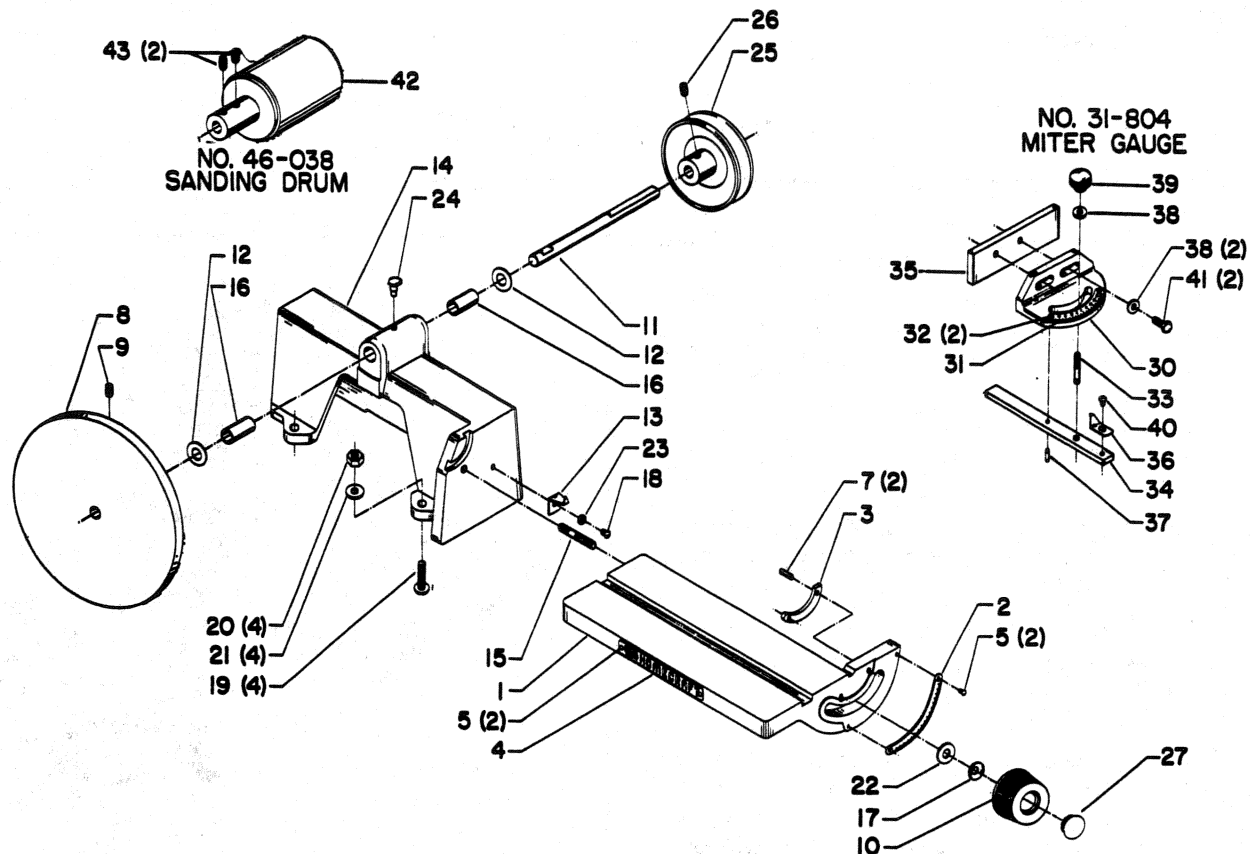
No. 46-101 Coarse (40 grit)

No. 46-102 Medium (80 grit)

Pkg. of 12, 8½" diameter, garnet. Requires disc adhesive for mounting.

Disc Adhesive

No. 49-503 Quick drying adhesive for mounting abrasive discs to Model 31-200, 8½" Disc Sander.



Replacement Parts

Ref. No.	Part No.	Description	Ref. No.	Part No.	Description
1	416-01-391-0002	Table, Incl:	25	41-062	Pulley, Incl:
2	951-02-010-7827	Scale	26	901-04-190-0201	5/16-18 X 5/16" SHSS
3	416-01-055-0001	Guide	27	1086950	Plug
4	Nameplate	By Request Only	*	46-817	Abrasive Disc
5	901-06-450-2250	#4 X 3/16" Dr. Scr.			
7	905-01-010-2707	5/32 X 1/2" Roll Pin			
8	416-01-399-0002	Sanding Disc., Incl:			
9	901-04-190-0201	5/16-18 X 5/16 SHSS			
10	931-02-012-0489	Knob			
11	416-01-106-0001	Shaft			
12	904-01-021-3564	Fiber Washer			
13	951-01-020-7847	Pointer			
14	416-01-305-0004	Base, Incl:			
15	901-07-261-3216	Stud			
16	920-75-011-3910	Bearing			
17	904-01-021-5712	Spring Washer			
18	901-02-010-0577	#10-32 X 3/16" RHS			
19	901-02-010-0515	5/16-18 X 1-1/4" RHSB			
20	902-01-010-1300	5/16-18" Hex Nut			
21	904-01-010-1604	Washer			
22	904-01-010-1605	Steel Washer			
23	904-01-010-1610	Steel Washer			
24	907-00-000-2475	1/4" Oil Hole Cover			
			25	41-062	Pulley, Incl:
			26	901-04-190-0201	5/16-18 X 5/16" SHSS
			27	1086950	Plug
			*	46-817	Abrasive Disc

ACCESSORIES NOT INCLUDED WITH BASIC MACHINE

**	31-804	Miter Gauge, Const. Of:
30	412-03-312-5001	Miter Gauge, Incl:
31	951-02-010-7832	Tilting Scale
32	901-06-450-2250	#4 X 3/16" Drive Scr.
33	901-07-261-3205	Stud
34	412-03-004-5001	Bar
35	412-03-004-5002	Face Plate
36	951-01-020-7812	Pointer
37	422-02-071-0002	Pin
38	904-01-031-2934	Steel Washer
39	902-04-020-1418	Knurled Knob
40	901-02-010-0577	#10-32 X 3/16" RHS
41	901-01-060-0611	1/4-20 X 1/2" HHCS
42	46-038	Sanding Drum, Incl:
43	901-04-190-0201	5/16-18 X 5/16" SHSS

* NOT SHOWN

** NOT SHOWN ASSEMBLED