

IQCCTV

HD 960H

HD 960H Dome Camera with 30m IR Night Vision



HD960H

HD
Resolution


30m

IR
Night Vision

IP66

Weatherproof
Rated



Adjustable Viewing
Angle (23 to 92°)

User Manual

Version 1

Contents

1. Product Overview	4
1.1. Product Features	4
2. Product Contents	5
3. Installation	6
4. Installation Diagram	8
5. Specifications	10

Warning



Risk of electric shock
Don't open



Warning: To reduce the risk of electric shock, non-professional personnel should not remove the cover.

Caution: To prevent electric shock and fire hazards, please don't use a power supply not listed on the manual.



This symbol alerts the user to operate and maintain the product according to the manual.



This symbol alerts the user to be careful as the product may lead to serious shock hazard.

Caution: Any changes or modifications in construction of the product that are not approved by our company, may affect the functionality of the camera.

Precautions

- > **Install and use the camera in an environment that does not exceed -20°C ~ +55°C and maintain good ventilation.**
- > **Do not use the camera in a high pressure or highly corrosive environment.**
This may cause the camera to malfunction or damage the camera.
- > **Do not install the camera in a place where lighting conditions are not stable.**
Drastic illumination changes could cause the camera to malfunction.

1. Product Overview

Thank you for purchasing the IQC960VV Internal/External Dome Camera from IQCCTV.

The camera features a high quality adjustable wide-angle lens (23-92°) to capture more, clear images. The mini dome is ideal for indoor or outdoor use (IP65 Rated) and has up to 30 Metres IR Night Vision.

The IQC range of 960H cameras from IQCCTV are designed to offer crystal clear images and amazing value for money, this is achieved by removing high-end features not needed in everyday applications.

1.1 Product Features



HD
Resolution



IR
Night Vision



Weatherproof
- IP65 Rated



Adjustable Viewing
Angle (23 to 92°)



Plug and Play






Cable Managed
Design

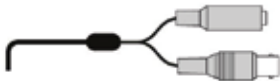
- High Resolution 960H
- 30m IR Night Vision
- Automatic Gain Control
- 23-92° Adjustable Angle
- Durable Metal Casing
- Compact and Discreet
- Cable Managed Design
- Easy Installation - Plug and Play
- Internal/External
- IP66 Rated

2. Product Contents

Before installing this product, please ensure that it contains the following;

Contents	
	1x IQC960VV Dome Camera
	1x User Manual
	1x Installation Pack

3. Installation



12v DC Input
Power Cable

BNC
Video Cable

1. Unscrew the base of the camera by holding the bottom and moving the ring anti-clockwise.
2. Use the camera base as a template and mark out the holes in the wall/ceiling where you wish to install the camera.
3. Get the correct drill bit for the type of wall you are drilling, then drill the holes in the wall and insert the wall plugs into the holes.
4. Take the base and feed through the camera wires. (You can drill a hole through the centre of the base and feed the wires through the wall/ceiling. But for this example we have just fed through the base for the cable to be external).
5. Screw the camera base into the wall or ceiling.



6. Screw the bracket and camera back onto the base by turning the ring clockwise. Please don't tighten completely if you wish to change the camera angle.



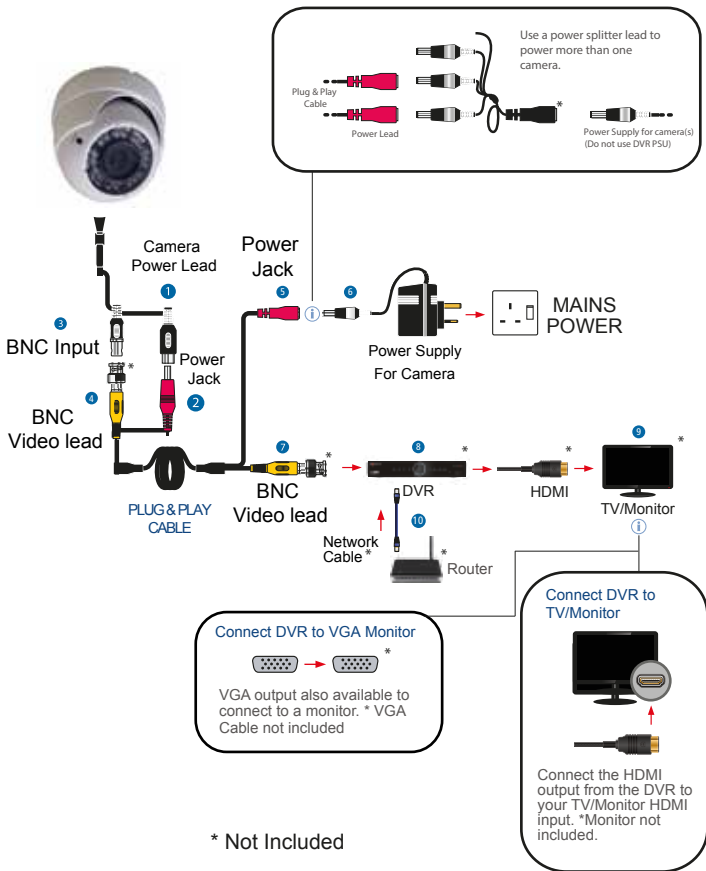
7. Adjust the camera angle to the desired view. It would be advised to use a test monitor when choosing the angle, to get the perfect angle for your application.



8. You can adjust the focus and zoom on the camera using the tool provided. To adjust, simply turn the screw marked 'focus' or 'zoom' to adjust the view. Insert the tool into the slots on the face of the camera.



4. Installation Diagram



To Connect Cable to Camera(s)

- Connect the power lead coming from the camera ① to the power jack on the Plug & Play cable ②
- Connect the BNC connector from the camera ③ to the BNC on the Plug & Play cable ④

To Connect Power to the Camera(s)

- Connect the power socket on the cable ⑤ to the Power Supply ⑥ – See additional information for connecting more than 1 camera

To Connect Cable to the DVR

- Connect the BNC connector ⑦ to the required channel input on the DVR ⑧

To Connect Cable to Router

- Connect the Network Cable to the DVR ⑧ then to a Router ⑩ for Network Access *Router not included

To Connect Cable to TV/Monitor

- Connect the HDMI Lead to the HDMI output on the DVR ⑧ then to the HDMI Input on your TV/Monitor ⑨ *TV/Monitor not included

Your system is now ready to use

5. Specifications

Camera Specifications

Image Sensor	High Resolution CMOS Image Sensor
Resolution	800 TVL
Lens Size	2.8 - 12mm
DSP Functions	Automatic Electronic Iris Automatic Electronic Shutter Automatic Gain Control Automatic White Balance Backlight Compensation
Minimum Illumination	3 Lux (IR Off), 0 Lux (IR On)
Night Vision	20-30m IR Night Vision
Power Supply	12v DC \pm 10%
Weatherproof	IP65 Rated
Dimensions (WxHxD)	120x95x120mm

Notes



Manufactured for:



TECHNICAL SUPPORT

For technical support, please contact your local distributor.

Alternatively, call 0871 222 1430

LIMITED WARRANTY

This product is supplied with a 12 month warranty. The warranty excludes products that have been misused (including accidental damage) and damage caused by normal wear and tear. In the unlikely event that you encounter a problem with this product, it should be returned to the place of purchase.

IQCCTV, Unit 2 Valley Point, Beddington Farm Road, Croydon, Surrey CR0 4WP

www.iqcctv.co.uk