



## Clé USB Caméra - A8

USER MANUAL

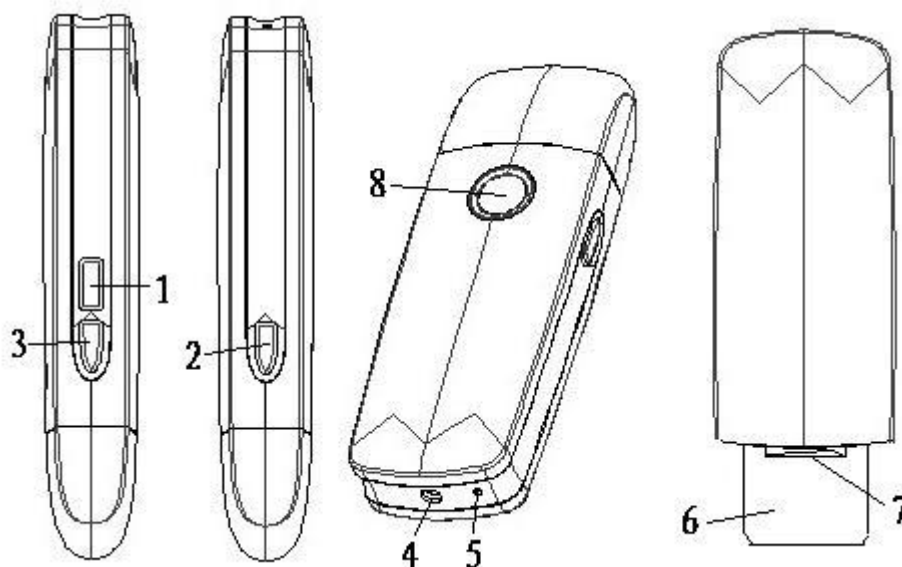


## U disk manual multi-function motion detection

First, your use of the products thanks! Please read before using this manual, the proper use of this product. In order to better service, the user manual may change. Because the product performance and functionality changes that occur will be without notice.

---

### First, appearance, key



1: Reset,      2: Photos & Video,      3: On\Off,      4: Camera,      5: MIC,  
6: USB,      7: TF card,      8: Indicateur

### Second, Introduction

This product is the first high-definition digital video motion detection with a single camera and the MINI DV, TF card memory, you can take photos and high quality screen, this product is simple, sleek, beautiful and practical, easy to carry, home security, education, life and other areas of essential utilities, by the users of all ages.

## ! The product with vibration function

### Third, the operating instructions

#### 1, Parts Description:

##### 1.1 Indicators: Status LED (icon 8)

Power: lights, while the machine began to shake, initialization after a long red light, stop the machine vibration.

Off: the machine length shock twice, lights off

USB state: once plugged into the USB machine vibration, read, write, U disk, the lights flash.

Motion detection mode: Start the video: short shock machine 2 times, lights flash 2 times, lights out. Video Pause: long light flashes 3 times brighter, the machine short shock 3 times.

Photo: take a picture of each lamp flashes once; machine vibration time, camera waiting for: a long bright lights

Record: 6 times machine vibration, light flashes 6 times out the lights, into the motion detection.

Low: light flash

1.2, the button description: open, off button (icon 3): for on, off, motion detection.

Camera, camera button (Figure 2): for photo, video.

Reset (Exhibit 1) the machine is not responding, press it

1.3, Socket Description: USB connector (Figure 6), for connecting a computer or charger, a data transfer charge. TF card socket (Figure 7), used to store files, stored video, photo files generated.

1.4, camera: (figure 4), used to pick up video signals.

1.5, MIC: (icon 5) to pick up the sound.

#### 2, switch machines:

Press the power button (icon 3) boot, the camera starts the system initialization (lights, the machine starts shaking), after the initial, long bright lights, the machine stopped shaking. Enter the default camera, camera, sound motion detection standby mode, after turning on any state, long press the power button to save files and shut down (lights flash 2 times, while the machine long shock 2).

**3, mode:**

Native mode with quick access to all state functions: initialization after boot, the model can be "open \ closed" machine key and "camera \ video" button to go directly to two, no longer need to switch modes.

**4, camera mode:**

When the machine is turned off, insert the TF card (Figure 7), long press "on \ off" button (icon 3), lights, machines began to shake, after system initialization, long bright lights at this time camera at the default camera mode, camera mode, motion detection mode state; press "camera \ video" button, the machine short shock 2, and light flashes 2 times, lights out, this time into the video camera which has been in the camera which, short press "camera \ video" button to view current job status, machine vibration 2 times, while lights flash 2 times off; press "on \ off" button, the machine three times a short shock, while light flashes 3 times long light, then save the file and stop motion detection and return to camera mode, camera mode, motion detection mode standby. In order to secure the preservation of documents, about every 15 minutes when the camera saves a file, save the file will remain under a video motion detection.

Note: In the video, the unit has a loop motion detection function.

**5, camera mode:**

Insert the TF card (Figure 7), boot the system initialization is complete, the machine is in the default camera mode, camera mode, motion detection mode state; press "camera \ video" button to take pictures, each according to a short, machine vibration time, lights flash once and a photograph stored, back to the default camera mode, camera mode, test mode motion detection standby.

**6, motion detection:**

The machine has a separate motion detection:


Insert the TF card (Figure 7), boot the system initialization is complete, press "open \ Shutdown" button, the machine short shock six times, while lights flash 6 times, put out the lights, this time into the motion detection on the machine function. In the motion detection mode, press the "camera \ video" button to view current job status, machine vibration six times, light flashes six times off; in the motion detection mode, press "on \ off" button, the machine three times a short shock, lights blink three times after a long light, then save the file and stop motion detection and return to camera mode, camera mode, motion detection mode standby.

### 7, a removable disk:

In shutdown mode, insert the TF card (Figure 7), directly connected to the USB port on your computer, then the computer will pop up a removable disk logo, you can also "My Computer" to find the "Removable Disk" disk character. When the unit is connected to a computer, the computer as a removable disk drive has started to work, you can very easily through your computer to view, transmit, copy, delete files. Native image file entries are: \* plate \ \_DCIM \ 101DSCIM. Need to uninstall this product, please click on the bottom right corner of the taskbar icon mobile devices, unloading inside the removable storage device until the system recognizes the hardware can be safely pulled out, then disconnect the machine from the computer

Note: Depending on the computer or system configuration differences, identify the removable disk will be slightly different, please be patient during this period is best not to make camera operation, so as not to impact on the computer to recognize the hardware, if the time is not recognized to be moved disk, Please try to re-insert, if you still can not recognize the hardware, make sure your operating system, drivers, USB interface cable is the things are normal; (Note: This confidential USB connection in the off state to enter the "Removable Disk ")

### 8, computer web camera function:

First you must install on your computer CD-ROM that comes with the camera driver. The supplied CD into your computer CD drive, run the CD in the STK02N 2.4.exe to install the camera driver, installed the camera driver, ready to use a computer camera. State power or no TF card, connected to the computer, the unit enters the PC Camera (webcam) mode In this mode, you can easily video chat with friends, shot ID, and so on. Open the webcam picture: Double-click My Computer →  Standard Camera . (Note: This confidential USB connection in the boot state to enter the web camera function)

### 9, charge:

Directly connected to the computer USB port or charger to charge this machine, note: the camera built-in high-capacity polymer lithium battery, no memory effect, can be used with the charge, but the initial use of the first five, with the battery After charging to saturation and then to activate the battery maximum capacity, access to standard working hours. In order to maximize the battery storage capacity per charge when fully charged, the LED indicates the charge continued after 30 minutes to 60 minutes.

**10, time to change:**

Camera provides a video motion detection time display function, you can set the time according to actual needs, the time format on the. Day hour: minute: seconds. Set as follows to connect the computer to find the removable disk, the disk space to move the mouse right-click pop-up menu on the "New" → "Text Document" to the document named "time" (the letters must be lowercase). its extension ".txt". You can also desktop built in accordance with the method described above, such a folder then copy to a disk folder. Time to open the folder, set the time format such as: 2000.01.01 00:00:00, year, month, day and hour, minute, seconds, separated by spaces. Then save. After the files are saved out of the hardware security, power, time set. After time setting, video files and your time to the time set to the. Note: Time must be set up after the power came into effect.

**11, exception handling:**

Boot light has been flashing: card is plugged in, or the card is damaged.

Camera batteries are low, the red light flashes quickly after about 3 seconds, automatically save the current image files and shut down, if you want to continue using the camera for charging before use.

Cameras due to accidental causes improper operation or other special stops responding, press the "reset" button (icon 1), reboot and then use.

Can not start: the battery is power, please charge; press the "reset" button, turn the power off, reboot.

No video: card is plugged or damaged.

Not associated computer: Make sure your operating system, drivers, USB interface cable is the things normal.

No disk space capacity, TF card is plugged or damaged.

#### Fourth the relevant parameters

Project	Parameters
Video Format	AVI
video encoding	M-JPEG
Video Resolution	640 * 480, 720 * 480, 1280 * 960VGA
Video frame rate	30fps
Player	Operating system or mainstream audio and video playback software
Picture format JPG	1280 * 960
Picture	5M pix
Image ratio	4:3
Support System	Windows me/2000 xp 2003/vista: M
Battery capacity	200mAh
Working time	About 90 minutes
Charging voltage	DC-5V
Interface Type	MINI 5pin USB
Storage Support	1G \ 2G \ 4G \ 8G \ 16G TF card
Battery Type	High-capacity lithium polymer

Specifications are upgrades, updates will change the actual phone

#### Fifth. Notes

λ set usage scenarios: **Please strictly abide by relevant state laws, this product can not be used for any illegal purpose, or peril.**

λ on battery: With the increased use of time, battery life has been shortened, long unused, in fully charged before use.

λ player actual capacity slightly less than the nominal capacity is normal!

λ File Security: This product is non-professional storage equipment, storage

file does not guarantee the integrity and internal security, real-time on the computer or other storage device to back up your important files.

λ video quality: This product is non-professional motion detection equipment, do not guarantee that the effect of video file can be up to your expectations.

Operating λ temperature :0-40 °C

λ Humidity: 20% -80%, do not place wet work environment, the product does not have the waterproof function.

λ shooting illumination: a well-lit environments, do not please the camera directly at the sun and other strong light sources, optical components so as not to suffer injury.

λ cleaning requirements: Do not dust density is too large to use the environment to avoid dust contamination of lenses and other components, affect the camera effects, the lens with lens cleaning paper or cloth to wipe off glasses to keep clean.

λ Other matters: The product belongs to sophisticated electronic products, please do not subject it to strong shock, vibration: Do not the strong magnetic field, the use of strong electric field.

λ disposal: Please note that environmental protection, not free to discard the product. Prohibit the throwing of this product in the fire to avoid explosion.

λ Additional information: other unknown matters, please contact your local dealer.