



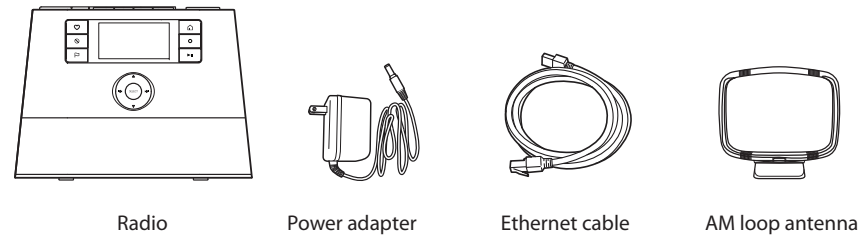
QuickStartGuide

ARIR201
www.arinfiniteradio.com

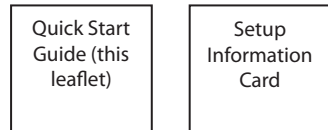
Congratulations on purchasing your new Acoustic Research Wi-Fi Infinite Radio.
Please follow these instructions to set up and start using the radio.

1 Unpack the unit

You should find the following items in the box:



To Exit DEMO mode, press and release preset 1, then SLEEP/SNOOZE, then preset 6.



Additional requirements

- Broadband Internet service
- Broadband (cable/DSL) modem, usually supplied by your Internet service provider
- An 802.11 b or g (Wi-Fi) wireless home network or Ethernet router/switch/hub with available LAN port

For Wi-Fi connections, you may also need:

- Your wireless network's SSID
- Your access password (for secure networks)

2 Set up your AR Infinite Radio accounts

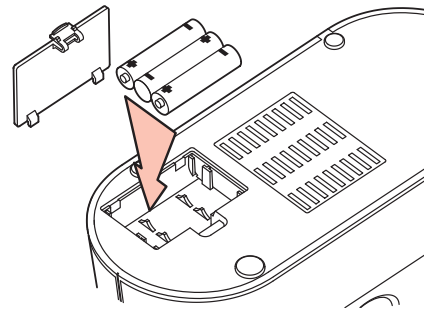


To simplify setup on the radio please complete these steps:

- Find the Setup Information Card that contains your radio's MAC address number (MAC: 00-21-2A-XX-XX-XX) and activation PIN # (PIN: XXXX). (This number is also found in the Device Info screen under the Settings menu in your radio.)
- Using any Internet-connected computer, go to www.arinfiniteradio.com/setup and follow the online instructions.
 - You will need to input your radio's MAC address and PIN # to associate your radio with your personal settings.

v1.0 (1.0.1.0) (EN)

3 Optional: Insert AAA batteries in the base of the radio

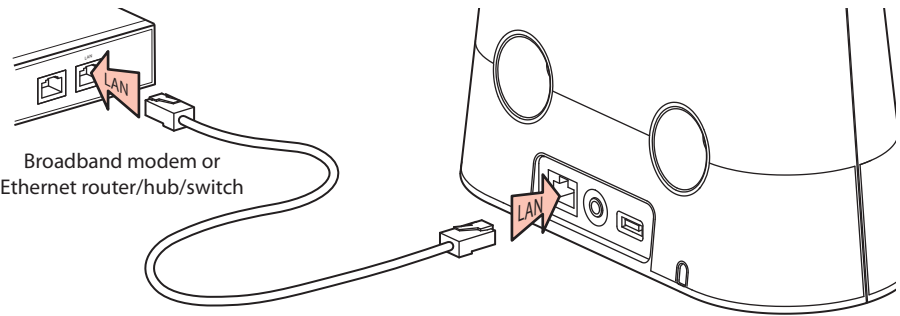


Follow the polarity markers in the battery compartment.

The batteries (not included) power the clock and alarm whenever the radio loses electricity.

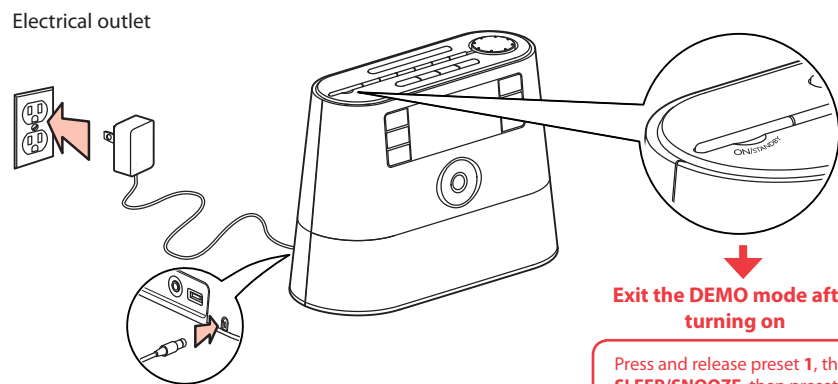
4 Optional: For use with a "Wired" connection

Use the supplied Ethernet cable if you do not have a wireless (Wi-Fi) access point.



5 Plug in and turn on the radio

Only use the power adapter which is included with your product.



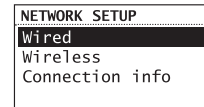
6 Set up the radio

A. **NOTE:** When you turn on the radio for the first time, it will be in "DEMO" mode. To exit this mode, press and release preset 1, then SLEEP/SNOOZE, then preset 6 on top of the radio.

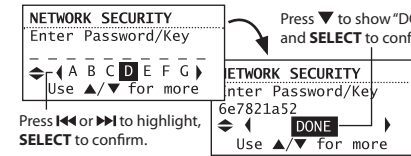
B. After exiting the DEMO mode, the radio displays the **Select Language** screen. Choose your preferred language.



C. The **Network Setup** screen displays connection options:



- Select **Wired** to connect using an Ethernet cable and proceed to step D.
- OR
- Select **Wireless**, then choose from setup options displayed:
 - **Detect Networks** allows you to search for available networks, then choose your network.
 - **Use WPS** allows you to select from **Push Button Mode** or **PIN Mode** to pair up with open WPS router.
 - **Enter network SSID** allows you to manually enter a known network name (SSID). See tips to the right.
 - If the network is secure, select security type and/or enter your password in the **Network Security** screen.



D. The radio should now connect to the Internet. If the radio does not connect refer to the troubleshooting section in your user manual.

After connecting to the Internet

- If you did not activate your Infinite Radio accounts, or if the radio cannot get your details from the Infinite Radio server, the radio may ask for your country. Input your country. Select your country and then input your ZIP code (US), Postal code (Canada) or city (Mexico) accordingly.
- If your radio has successfully connected to the Internet you will hear a welcome message streaming from the Internet.

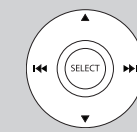


Learn more about your Infinite Radio

Visit www.arinfiniteradio.com to download the user manual for your radio. Read the user manual for more information on the player's features, safety and warranty information, and answers to Frequently Asked Questions (FAQ's).

Need more help? Do not return this product to the store. Visit www.arinfiniteradio.com to get the latest firmware updates and FAQ's.

Use the navigation controls to make choices and input information:



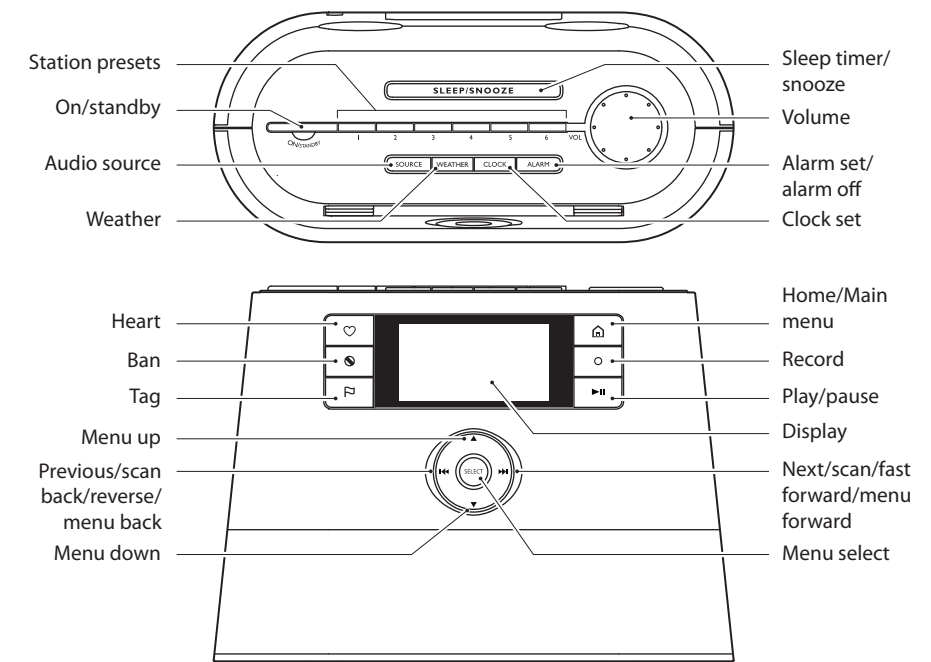
- ▲ – move highlight up
- ▼ – move highlight down
- ◀ – move selection/navigate left
- ▶ – move selection/navigate right
- SELECT** - confirm selected option or character

When inputting characters, press ▲ or ▼ to choose among uppercase, lowercase, numeric, or special characters. To insert spaces or correct mistakes, press ▼ to display the Commands list and then press ◀ or ▶ to choose the desired command.

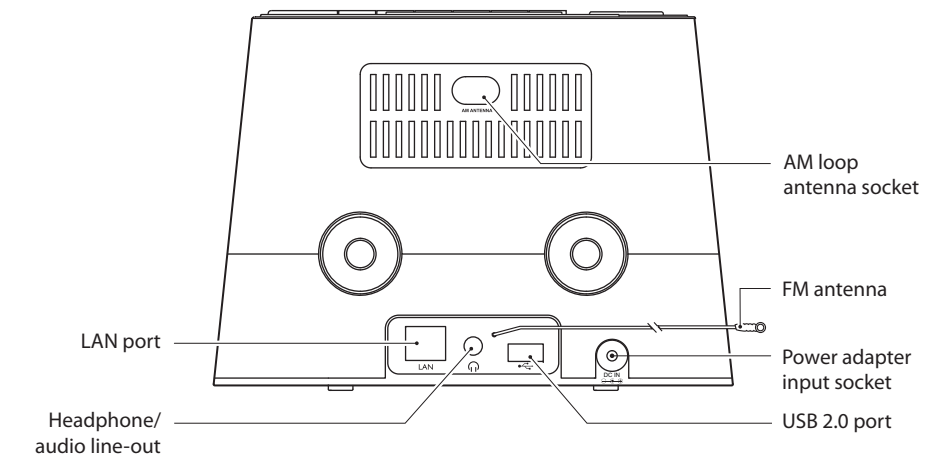
About passphrase:

- This radio supports secured access points using the Wireless Equivalent Privacy (WEP) keys or Wi-Fi Protected Access (WPA and WPA2) standards.
- WEP keys are either 10 or 26 characters long (e.g. 6E78214A52). Note that some Wi-Fi routers support passphrase generation for WEP security. However, there is no industry standard for WEP passphrase generation and this radio does not support WEP passphrases.
- If you are using a WEP secured access point, enter the WEP key (HEX format) instead of the passphrase.

Controls



Rear panel connections



You can connect USB devices to the USB port: The radio can play open MP3, WMA, and RealAudio audio files stored on the connected USB device.


RealAudio is a trademark or a registered trademark of RealNetworks, Inc.

Using the radio

General procedures


Turn on/off (standby) the radio	Press ON/STANDBY .
Choose an audio source	Press SOURCE to cycle through the audio sources (Slacker Radio, Pandora Radio, Internet Radio, MP3tunes, USB Input, Recordings, or FM/AM Tuner).
Choose a preset radio station	Press SOURCE to choose the radio source (Slacker Radio, Pandora Radio, Internet Radio, FM, or AM), then press a preset button (1–6).
Assign the current radio station to a preset	Press and hold a preset button (1–6) until the radio beeps.
Display the menu while listening	Press ⏏ .
Record the current AM/FM/Internet radio station	Press ⓪ . Press ⓪ again to stop recording.
Start the sleep timer	Press SLEEP/SNOOZE .
Add time or cancel the sleep timer	Press SLEEP/SNOOZE repeatedly.
Display the time	Press CLOCK .
Set the time	Press and hold CLOCK . Press ▼ to choose Manual and then press SELECT . Press ⏏ or ▶▶ to choose hours, minutes or AM/PM. Press ▲ or ▼ to change the time. Press SELECT to set the time.
Set the alarm	Press ALARM once. Then press ▲ or ▼ to choose Turn On , Turn Off , Set Alarm Time , or Select Sound and then press SELECT .

Listening to Slacker™ radio

Choose a Slacker™ station	Press SOURCE to choose Slacker Radio. Press ▲ or ▼ to move up and down the menu options and press SELECT to choose the desired genre and station.	
Start playing the selected station	Press SELECT .	
Pause playback	Press ⏏ . Press again to resume.	
Skip to the next song	Press ▶▶ .	
Mark the current song as a favorite	Press ♡ .	
Create a custom station based on the current artist	Press and hold ♡ or press ⏏ and choose Create Station and then press SELECT .	
Ban the current song from the station	Press ⓪ .	
Ban the current artist from the station	Press and hold ⓪ .	
Use the current station as the alarm sound	Press ⏏ to display the options menu. Press ▼ to choose Send to Alarm and then press SELECT .	

*Note that Slacker and Pandora may not be available in all countries, please check availability in your country.


Listening to Pandora™ radio

Choose a Pandora™ station	Press SOURCE to choose Pandora Radio. Press ▲ or ▼ to move up and down the menu options and press SELECT to choose the desired genre and station.	
Start playing the selected station	Press SELECT .	
Pause playback	Press ⏏ . Press again to resume.	
Skip to the next song	Press ▶▶ .	
Thumbs Up current song	Press ♡ .	
Bookmark current song	Press ⏏ to display the options menu. Press ▼ to choose Bookmark Song and press SELECT .	
Bookmark current artist	Press ⏏ to display the options menu. Press ▼ to choose Bookmark Artist and press SELECT .	
Create a custom station based on the current song or artist	Press ⏏ to display the options menu. Press ▼ to choose Create Station . Press ▲ or ▼ to choose This Song or This Artist and then press SELECT .	
Thumbs down current song	Press ⓪ .	
Delete current station	Press and hold ⓪ .	
Use the current station as the alarm sound	Press ⏏ to display the options menu. Press ▼ to choose Send to Alarm and then press SELECT .	

Listening to FM/AM radio

Tune in an FM/AM radio station	Press SOURCE to choose FM or AM radio. Press and hold ⏏ or ▶▶ to seek. Once released, the radio will auto-tune to the next available station.
Step through the radio frequencies	Press ⏏ or ▶▶ .
Use the current station as the alarm sound	Press ⏏ to display the options menu. Press ▼ to choose Send to Alarm and then press SELECT .

Listening to Internet radio

Choose an Internet radio station	Press SOURCE to choose Internet Radio. Press ▲ or ▼ to move up and down the menu options and press SELECT to navigate to the desired station.	
Start playing the selected station	Press SELECT .	
Mark the current station as a favorite	Press ♡ or press ⏏ to display the options menu. Press ▼ to choose Add to Favorites and then press SELECT .	
Remove the current station from My Favorites	Press ⓪ .	
Use the current station as the alarm sound	Press ⏏ to display the options menu. Press ▼ to choose Send to Alarm and then press SELECT .	

Listening to MP3tunes

Set up MP3tunes Locker	Refer to the MP3tunes section of the user manual.
Play an audio file from MP3tunes Locker	Press SOURCE to choose MP3tunes. Press ⏏ or ▶▶ to exit or enter categories. Press ▲ or ▼ to highlight a file and press SELECT or ▶▶ to start playback.
Pause playback	Press ⏏ . Press again to resume.
Skip to the next audio file	Press ▶▶ .
Skip to the previous audio file	Press ⏏ within the first 3 seconds of the current file.

Playing recordings and audio files

Play a recording	Press SOURCE to choose Recordings. Press ▲ or ▼ to highlight a recording. Then press ▲ or ▼ to choose PLAY and press SELECT .
Play an audio file from a connected USB device	Press SOURCE to choose USB. Press ⏏ or ▶▶ to exit or enter folders. Press ▲ or ▼ to highlight a file and press SELECT to start playback.
Pause playback	Press ⏏ . Press again to resume.
Skip to the next recording/audio file	Press ▶▶ .
Skip to the previous recording/audio file	Press ⏏ within the first 3 seconds of the current recording/file.

Listening to Weather Forecasts

Listen to today's local forecast	Press WEATHER once.
Listen to 3-day local forecast	Press WEATHER twice.

Audiovox Electronics Corp.
150 Marcus Blvd., Hauppauge, NY 11788
© 2010 Audiovox Electronics Corp.
Trademark Registered
Printed in China



For Customer Service
Visit Our Website At
www.arinfiniteradio.com
Product Information, Photos,
FAQ's, Owner's Manuals



AR
INFINITE
RADIO