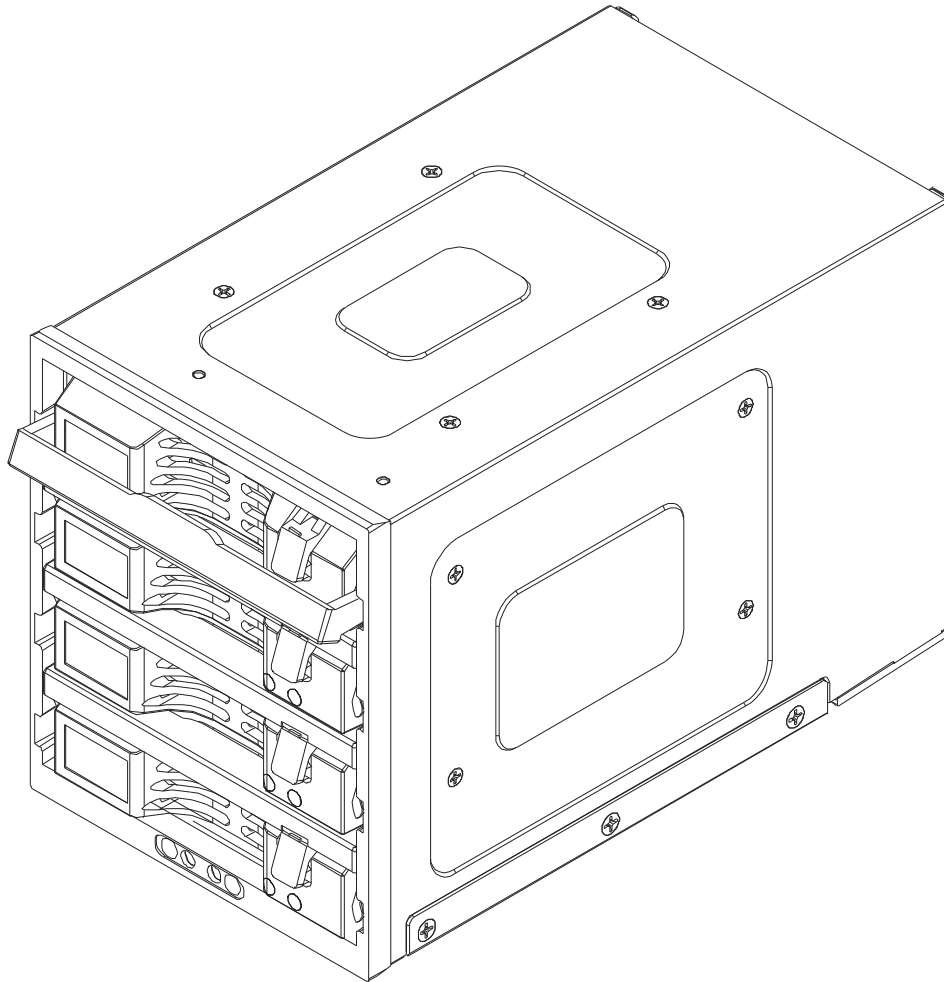


SUPERO®



M34T

MOBILE RACK

USER'S GUIDE

Rev. 1.0a

The information in this User's Manual has been carefully reviewed and is believed to be accurate. The vendor assumes no responsibility for any inaccuracies that may be contained in this document, makes no commitment to update or to keep current the information in this manual, or to notify any person or organization of the updates. **Please Note: For the most up-to-date version of this manual, please see our web site at www.supermicro.com.**

Super Micro Computer, Inc. ("Supermicro") reserves the right to make changes to the product described in this manual at any time and without notice. This product, including software and documentation, is the property of Supermicro and/or its licensors, and is supplied only under a license. Any use or reproduction of this product is not allowed, except as expressly permitted by the terms of said license.

IN NO EVENT WILL SUPERMICRO BE LIABLE FOR DIRECT, INDIRECT, SPECIAL, INCIDENTAL, SPECULATIVE OR CONSEQUENTIAL DAMAGES ARISING FROM THE USE OR INABILITY TO USE THIS PRODUCT OR DOCUMENTATION, EVEN IF ADVISED OF THE POSSIBILITY OF SUCH DAMAGES. IN PARTICULAR, SUPERMICRO SHALL NOT HAVE LIABILITY FOR ANY HARDWARE, SOFTWARE, OR DATA STORED OR USED WITH THE PRODUCT, INCLUDING THE COSTS OF REPAIRING, REPLACING, INTEGRATING, INSTALLING OR RECOVERING SUCH HARDWARE, SOFTWARE, OR DATA.

Any disputes arising between manufacturer and customer shall be governed by the laws of Santa Clara County in the State of California, USA. The State of California, County of Santa Clara shall be the exclusive venue for the resolution of any such disputes. Super Micro's total liability for all claims will not exceed the price paid for the hardware product.

California Best Management Practices Regulations for Perchlorate Materials: This Perchlorate warning applies only to products containing CR (Manganese Dioxide) Lithium coin cells. "Perchlorate Material-special handling may apply. See www.dtsc.ca.gov/hazardouswaste/perchlorate"

WARNING: Handling of lead solder materials used in this product may expose you to lead, a chemical known to the State of California to cause birth defects and other reproductive harm.

Manual Revision 1.0a
Release Date: July 7, 2011

Unless you request and receive written permission from Super Micro Computer, Inc., you may not copy any part of this document.

Information in this document is subject to change without notice. Other products and companies referred to herein are trademarks or registered trademarks of their respective companies or mark holders.

Copyright © 2011 by Super Micro Computer, Inc.
All rights reserved.

Printed in the United States of America

Table of Contents

Contacting Supermicro.....	iv
Returning Merchandise for Service.....	v
Chapter 1 M34T Mobile Rack Specifications	1-1
1-1 Overview	1-1
1-2 Product Features.....	1-1
1-3 Packing List	1-2
1-4 SATA M34 Backplane.....	1-3
Front Connectors and Jumpers	1-3
Accessing the Hard Drives	1-4
Accessing the Backplane.....	1-6

Contacting Supermicro

Headquarters

Address: Super Micro Computer, Inc.
980 Rock Ave.
San Jose, CA 95131 U.S.A.

Tel: +1 (408) 503-8000
Fax: +1 (408) 503-8008
Email: marketing@supermicro.com (General Information)
support@supermicro.com (Technical Support)

Web Site: www.supermicro.com

Europe

Address: Super Micro Computer B.V.
Het Sterrenbeeld 28, 5215 ML
's-Hertogenbosch, The Netherlands

Tel: +31 (0) 73-6400390
Fax: +31 (0) 73-6416525
Email: sales@supermicro.nl (General Information)
support@supermicro.nl (Technical Support)
rma@supermicro.nl (Customer Support)

Asia-Pacific

Address: Super Micro Computer, Inc.
4F, No. 232-1, Liancheng Rd.
Chung-Ho 235, Taipei County
Taiwan, R.O.C.

Tel: +886-(2) 8226-3990
Fax: +886-(2) 8226-3991
Web Site: www.supermicro.com.tw

Technical Support:
Email: support@supermicro.com.tw
Tel: +886-(2) 8226-5990

Returning Merchandise for Service

A receipt or copy of your invoice marked with the date of purchase is required before any warranty service will be rendered. You can obtain service by calling your vendor for a Returned Merchandise Authorization (RMA) number. When returning to the manufacturer, the RMA number should be prominently displayed on the outside of the shipping carton, and mailed prepaid or hand-carried. Shipping and handling charges will be applied for all orders that must be mailed when service is complete.

For faster service, RMA authorizations may be requested online (<http://www.supermicro.com/support/rma/>).

Whenever possible, repack the mobile rack in the original Supermicro carton, using the original packaging material. If these are no longer available, be sure to pack the mobile rack securely, using packaging material to surround the mobile rack so that it does not shift within the carton and become damaged during shipping.

This warranty only covers normal consumer use and does not cover damages incurred in shipping or from failure due to the alteration, misuse, abuse or improper maintenance of products.

During the warranty period, contact your distributor first for any product problems.

Notes

Chapter 1

M34T Mobile Rack Specifications

1-1 Overview

This manual is written for system integrators, PC technicians and knowledgeable PC users. It provides detailed information for the installation and use of the CSE-M34T mobile rack.

The Supermicro CSE-M34T mobile rack offers cutting edge technology with greater flexibility. The CSE-M34T supports four Serial ATA hot-swappable hard drives. These hard drive yield an unparalleled storage capacity without compromising productivity, by eliminating possible system downtime.

1-2 Product Features

Occupancy Capacity	<ul style="list-style-type: none"> • Three 5.25" drive bays • Four 1" host receptacle connectors, SATA hot-swappable hard drives (CSE-M35T-1 only)
Cooling Subsystem Monitoring	<ul style="list-style-type: none"> • One 9 cm exhaust fan • Fan fail detection LED and alarm • Overheat LED indication • Drive fail alarm indication (CSE-M35S only) • Built-in termination (CSE-M35S only)
Dimensionsw (Wx- HxD)	<ul style="list-style-type: none"> • 146mm x 129mm x 245mm (5.7 in x 5.0 in x 9.5 in)
Weight	<ul style="list-style-type: none"> • Net: 5.9lb (2.9 kg), Gross: 7.5lb (3.7 kg)

1-3 Packing List

The CSE-M34T mobile rack includes the following:

- CSE-M34T mobile rack
- One 90 mm exhaust fan
- Four drive carriers, part number CSE-PT10 (beige only)
- Six counts of 6-32 hex washer head screws
- Eight counts of M3 washer head screws
- Eighteen counts of pan head screws
- One Serial ATA backplane, part number CSE-SATA-M34
- Four Serial ATA cables, part number CBL-0044L
- Serial ATA LED cable, part number CBL-0057L

Additional Information

The CSE-M34T mobile rack was designed for use in certain chassis and servers or as a stand-alone unit. Refer to the chassis or server manuals for installation instructions. Use the instructions listed in this manual when using the mobile rack independent of a chassis.

The pictures or graphics shown in this user's guide were based upon the latest PCB revision available at the time of the publishing of this manual. The CSE-M34T mobile rack may or may not look exactly the same as the graphics shown in this manual. The availability of SAS-devices supported depends on the readiness of firmware and hardware support.

1-4 SATA M34 Backplane

Front Connectors and Jumpers

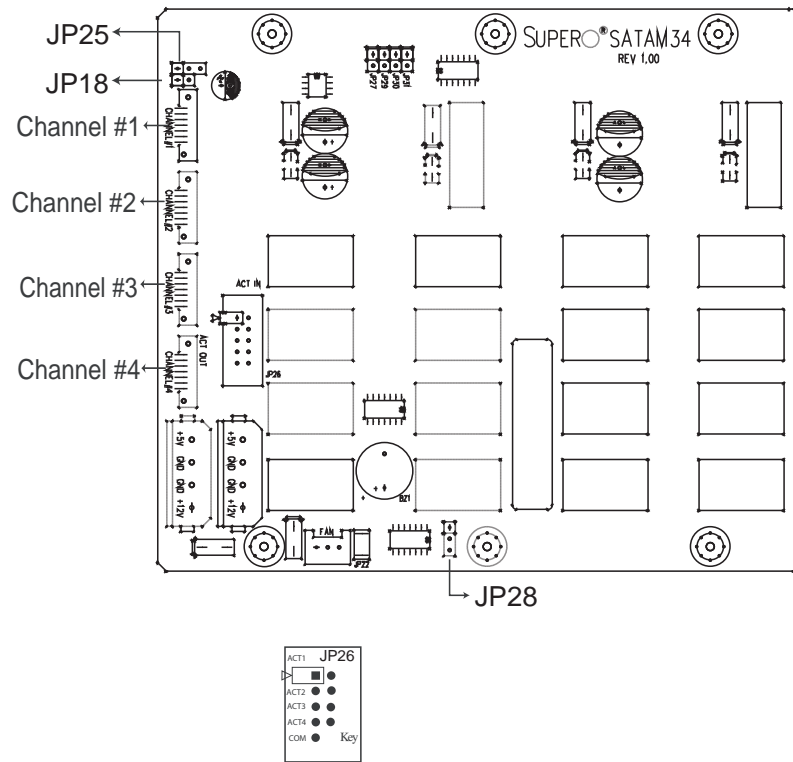


Figure 1-1. Mobile Rack Backplane (Front)

Activity LEDs Pin Definitions JP26

Act. LED1 = Channel 1

Act. LED2 = Channel 2

Act. LED3 = Channel 3

Act. LED4 = Channel 4

Accessing the Hard Drives

Accessing Hot-Swappable Drives

1. Push the release button located beside each drive's LED.
2. Lift up on the drive's handle.
3. Carefully pull the drives out of the storage module.

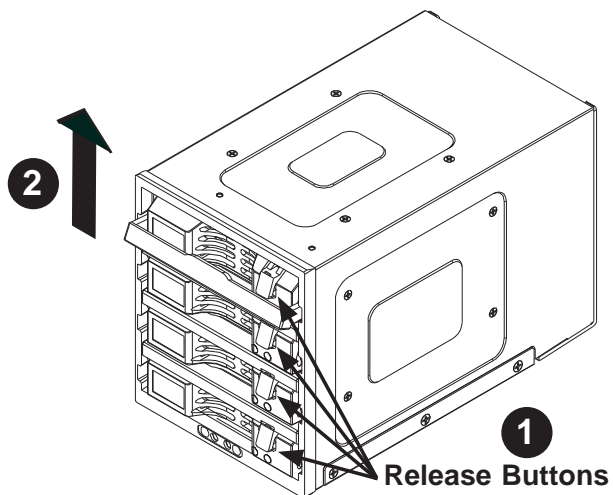


Figure 1-2: Releasing the Drives

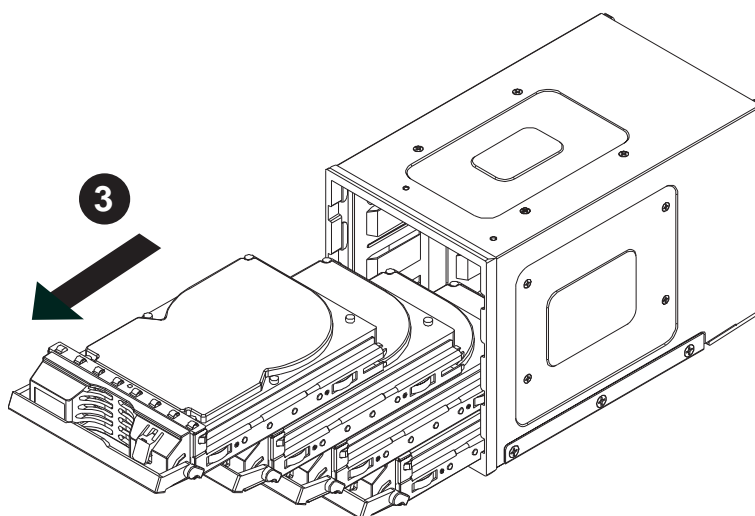


Figure 1-3: Removing the Drives

Installing a Drive into the Drive Tray

1. Mount the drive in the drive tray.
2. Secure it into the drive tray as shown with the screws provided.

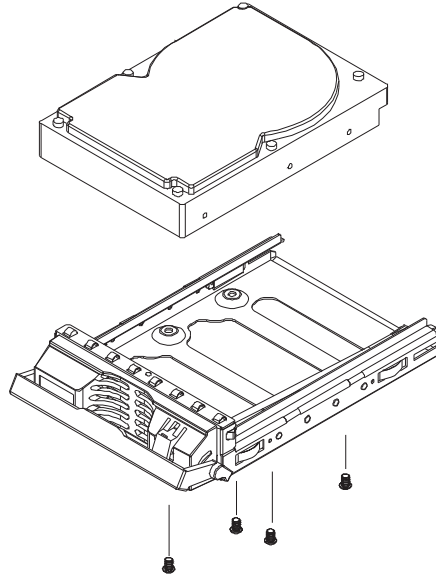


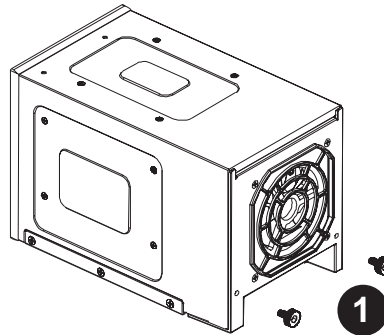
Figure 1-4: Installing the Drive into the Drive Tray



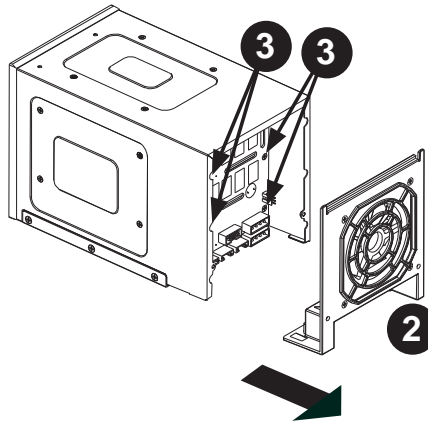
Warning! Enterprise level hard disk drives are recommended for use in Supermicro chassis and servers. For information on recommended HDDs, visit the Supermicro Web site at <http://www.supermicro.com/products/nfo/files/storage/SAS-1-CompList-110909.pdf>

Accessing the Backplane

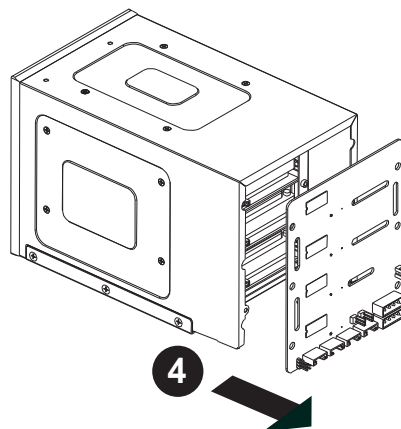
1. Remove the screws located on the back of the mobile rack unit as shown.



2. Pull out the rear fan bracket.



3. Remove the screws securing the backplane.



4. Remove the backplane.

Figure 1-4: Accessing the Backplane

Notes

Disclaimer (cont.)

The products sold by Supermicro are not intended for and will not be used in life support systems, medical equipment, nuclear facilities or systems, aircraft, aircraft devices, aircraft/emergency communication devices or other critical systems whose failure to perform be reasonably expected to result in significant injury or loss of life or catastrophic property damage. Accordingly, Supermicro disclaims any and all liability, and should buyer use or sell such products for use in such ultra-hazardous applications, it does so entirely at its own risk. Furthermore, buyer agrees to fully indemnify, defend and hold Supermicro harmless for and against any and all claims, demands, actions, litigation, and proceedings of any kind arising out of or related to such ultra-hazardous use or sale.