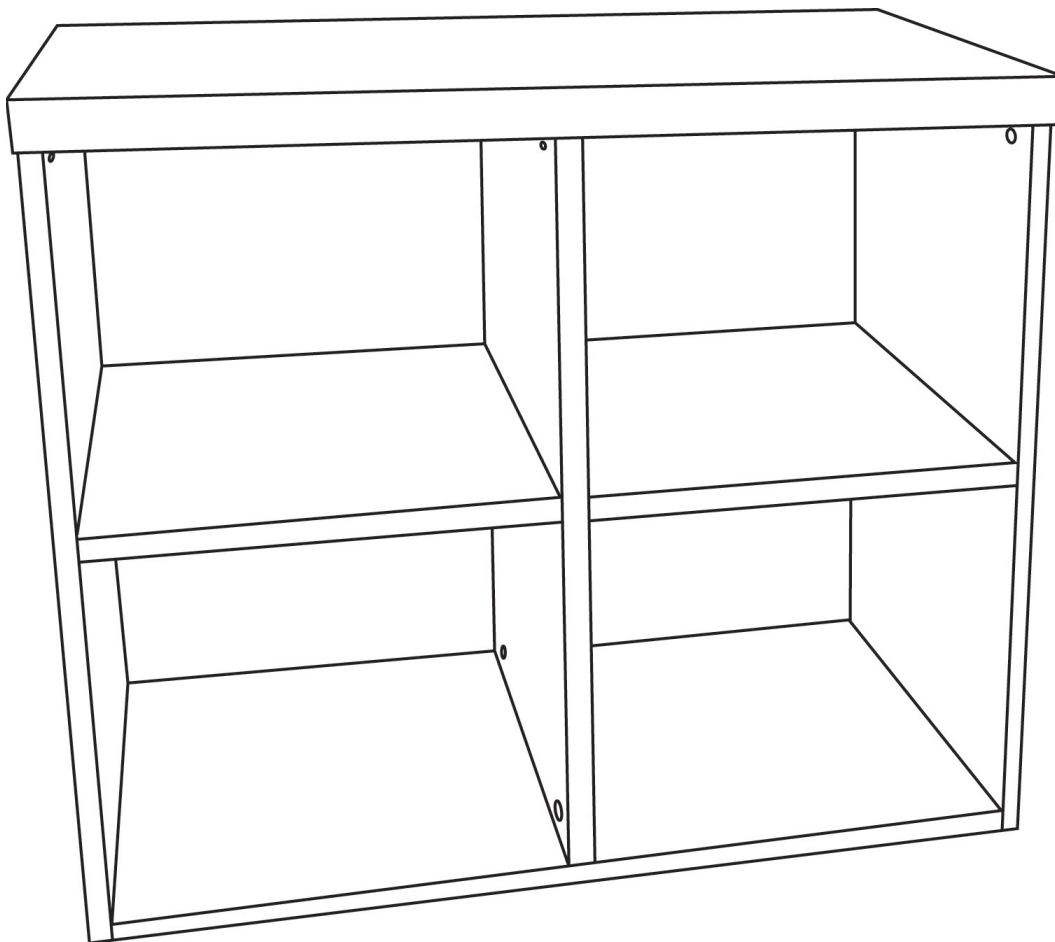


# Storage Open Cupboard (6414) - Assembly and Operation Manual

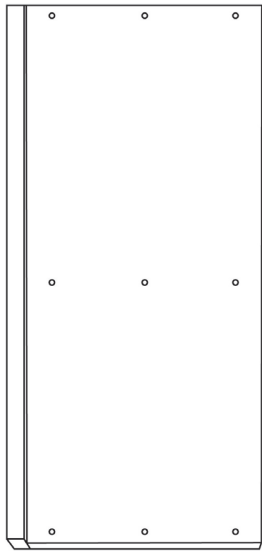
Congratulations on purchasing an MDB Family product. This product will provide many years of service if you adhere to the following guidelines for assembly, maintenance, and operation. This product is for residential use only. Any institutional use is strictly prohibited.

Please be sure to follow the instructions for proper assembly. Use a Phillips head screwdriver for assembling the product in addition to the Allen wrench included in the hardware box. Do not use power screwdrivers. All of our products are made from natural woods. Please understand that natural woods have color variations which are the result of nature and not defects in workmanship.

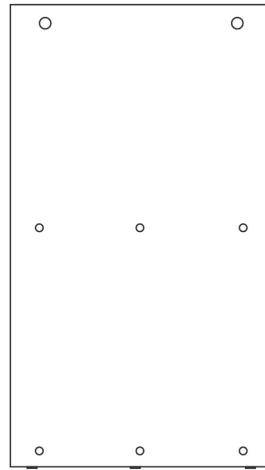
DO NOT SUBSTITUTE PARTS. ALL MODELS HAVE THE SAME QUANTITY OF PARTS AND HARDWARE. YOUR MODEL MAY LOOK DIFFERENT FROM THE ONE ILLUSTRATED DUE TO STYLISTIC VARIATIONS.



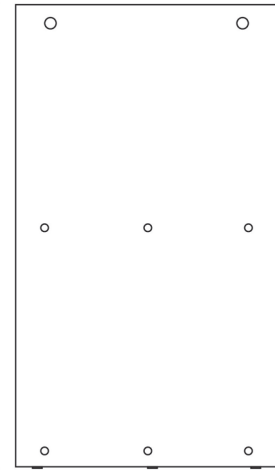
# PARTS



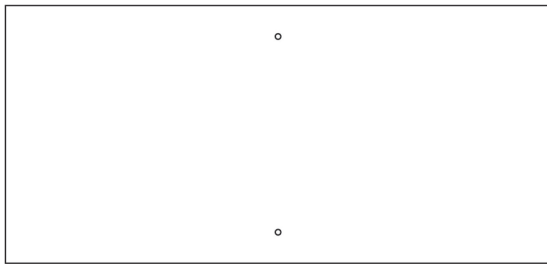
A. Top panel



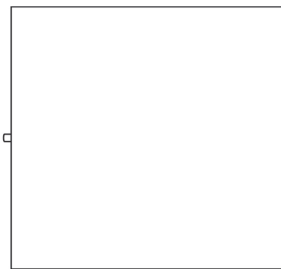
B-1. Left side panel



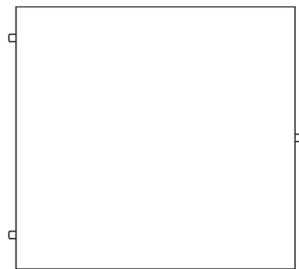
B-2. Right side panel



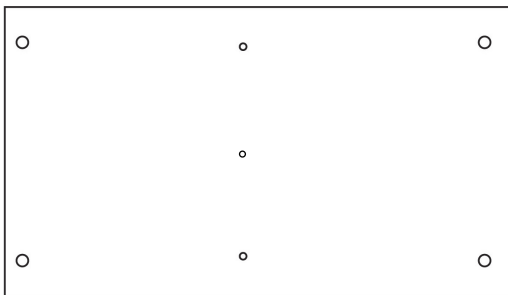
C. Center panel



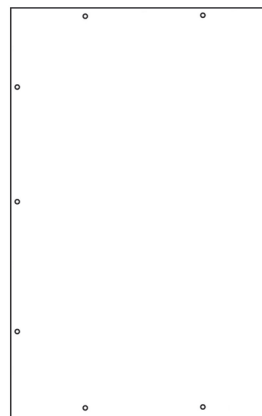
D-1. Left shelf



D-2. Right shelf



E. Bottom panel



F. Back panel x 2

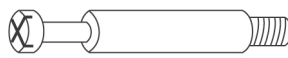
# HARDWARE



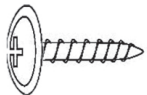
G. Wood dowel X 6



H. Cam lock X 16



I. Cam bolt X 16



J. 5/8" Washer head screw X 3



K. Screw X 14

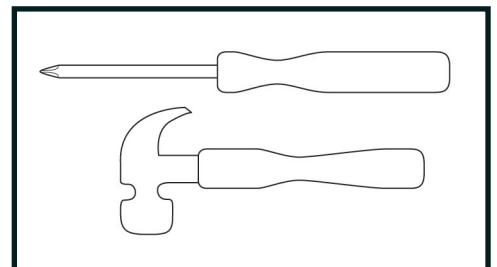


L. Bracket X 2



M. 5/8" Flat head screw X 4

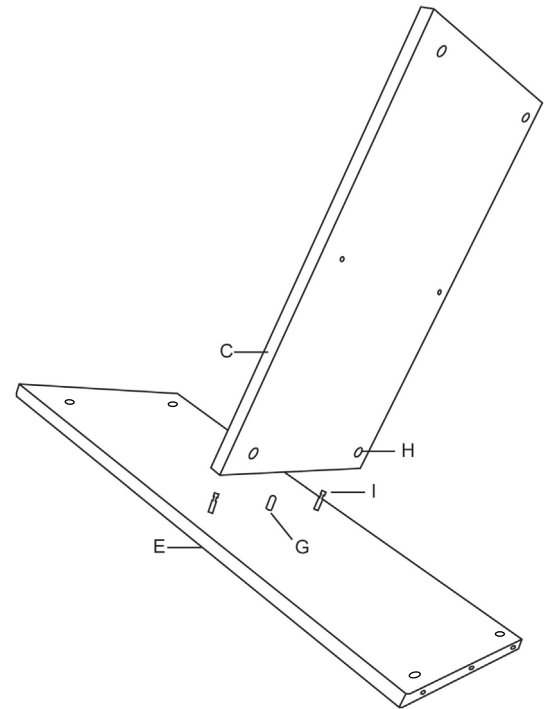
Tools Needed  
(not included)



### STEP 1.

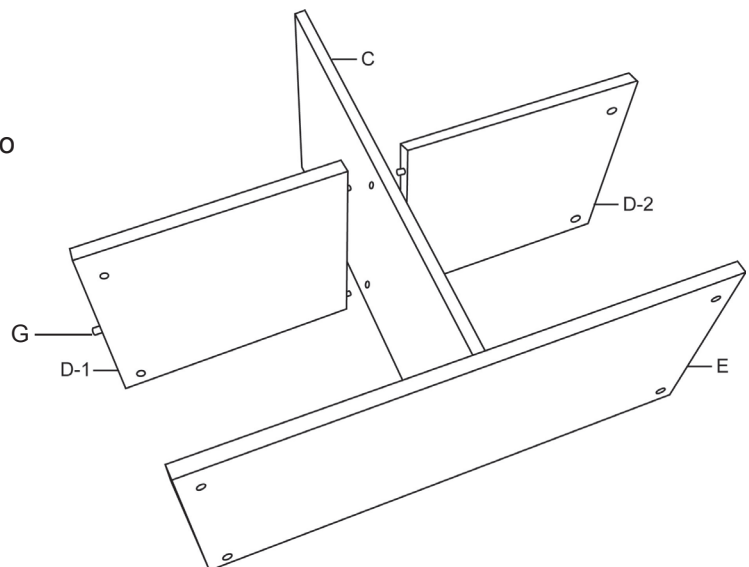
Insert wood dowel (G) and cam bolts (I) into the bottom panel (E) and cam locks (H) into the center panel (C) as the illustration shown.

Attach the center panel (C) to the bottom panel (E). Rotate the cam locks (H) to secure them.



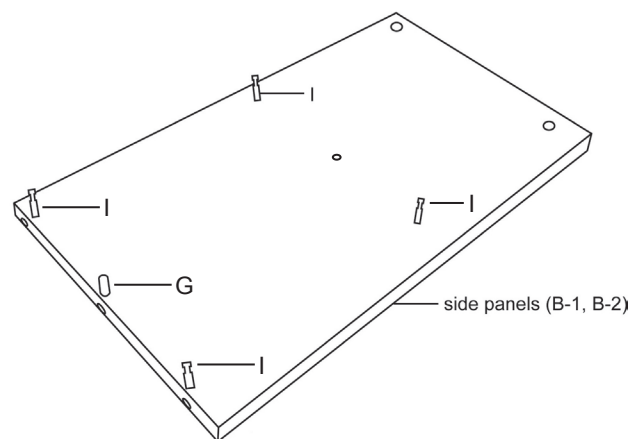
### STEP 2.

Insert wood dowels (G) to the ends of left shelf (D-1) and right shelf (D-2). Attach the 2 shelves (D-1, D-2) to the center panel assembly as the illustration shown.



### STEP 3.

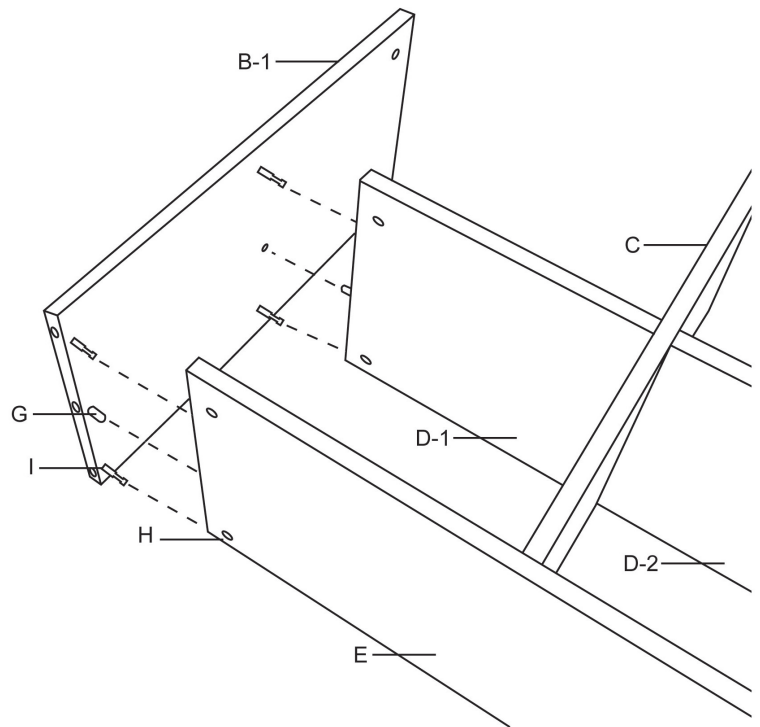
Insert wood dowel (G) and cam bolts (I) to the left side panel (B-1) and right side panel (B-2).



#### STEP 4.

Insert cam locks (H) into holes in the 2 shelves (D-2, D-2) and bottom panel (E).

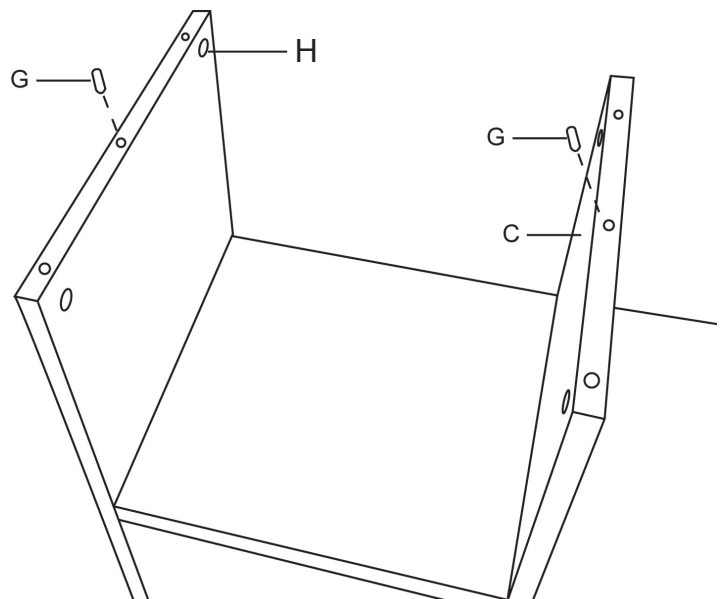
Attach the left side panel (B-1) and right side panel (B-2) to the assembly of 2 shelves, bottom panel (E) and center panel (C). Rotate the cam locks (H) to secure them.



#### STEP 5.

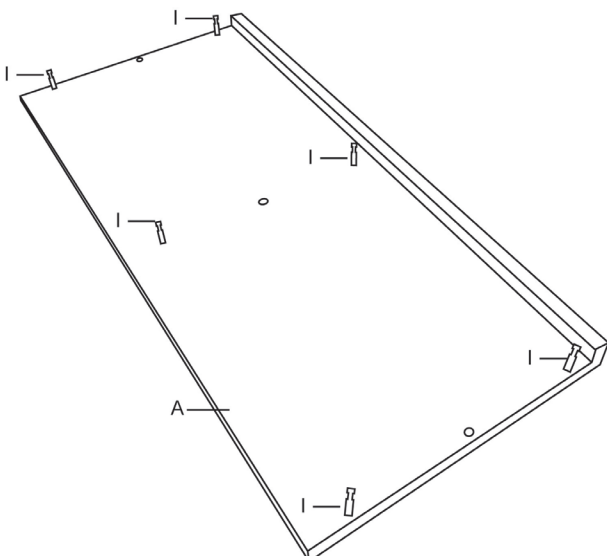
Press wood dowels (G) into the holes at the ends of 2 side panels (B-1, B-2) and center panel (C).

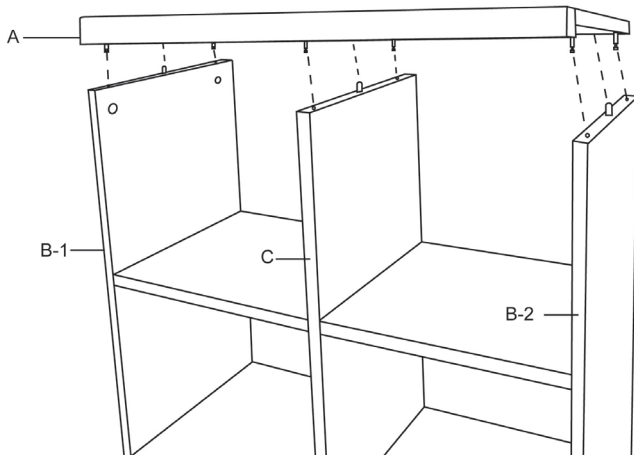
Insert cam locks (H) into the holes of the 2 side panels (B-1, B-2) and center panel (C).



#### STEP 6.

Screw 6 cam blots (I) into the holes in the top panel (A) as the illustration shown.



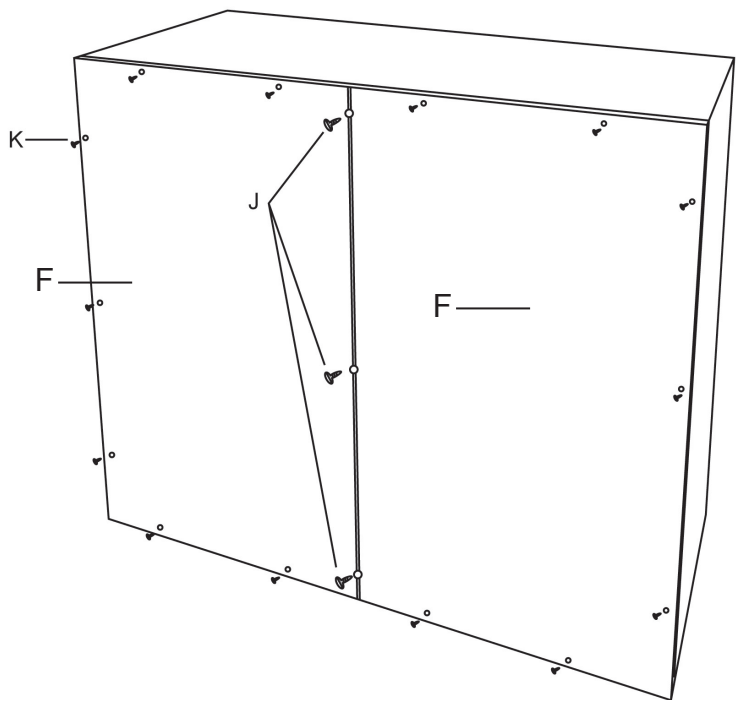


**STEP 7.**

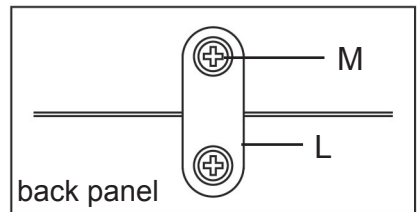
Lower the top panel (A) onto the side panel assembly making sure that all the cam bolts (I) and wood dowels (G) fit in their holes. Rotate the cam locks (H) to secure the sides.

**STEP 8. Back panel assemble**

Attach the 2 back panels (F) using 14 screws (K). Screw three 5/8" washer head screw (J) at the middle of the assembly as the illustration shown.



**KEEP THIS MANUAL IN A SAFE PLACE FOR FUTURE REFERENCE.**



**Set up brackets**

Fasten the store units with 2 brackets (L) and 5/8" Flat head screw (M) if necessary. The store units must be fastened securely to each other.

Please refer to the label (sample below). Record the model/ item number and serial number of your product, the name of the store where you made the purchase, the date of purchase and the wood finish in the box to the lower right.

WE WILL ASK YOU FOR YOUR SERIAL NUMBER FOR ALL WARRANTY AND REPLACEMENT PART REQUESTS. KEEP THIS MANUAL INSIDE THE PLASTIC HOLDER FOR FUTURE REFERENCE.

**Please read the Caution and Warning Statements insert before using your product.**

# !!! IMPORTANT !!! Furniture Anti-Tipping Kit Installation

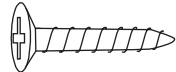
Children may be injured by tipping furniture and the use of the anti-tipping kit is highly recommended. This device, when properly installed, could provide protection against unexpected tipping of furniture due to improper use.

## !!WARNING!! THIS DEVICE IS NOT A SUBSTITUTE FOR ADULT SUPERVISION.

### HARDWARE



A. Shorter screw



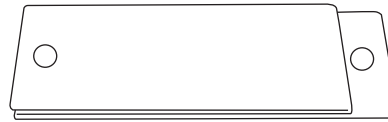
B. Longer screw



C. Washer (2)

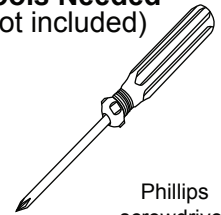


D. Plastic anchor



E. Strap

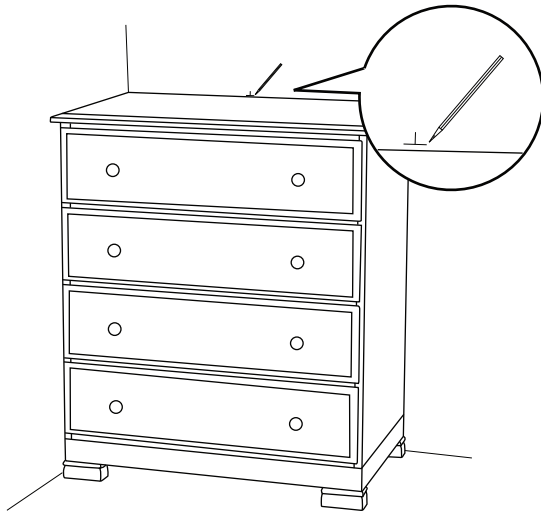
**Tools Needed**  
(not included)



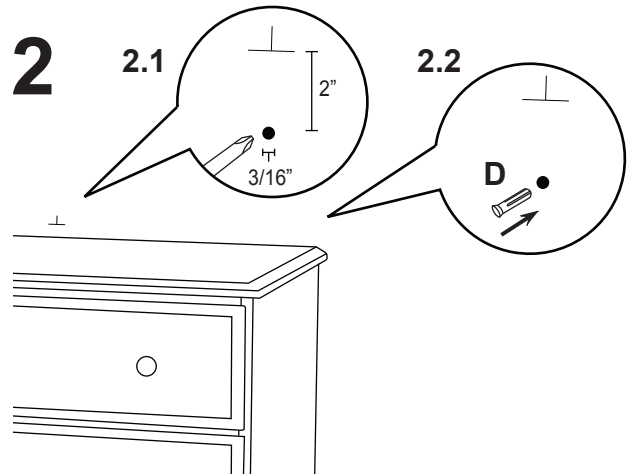
Phillips  
screwdriver

### ASSEMBLY INSTRUCTIONS

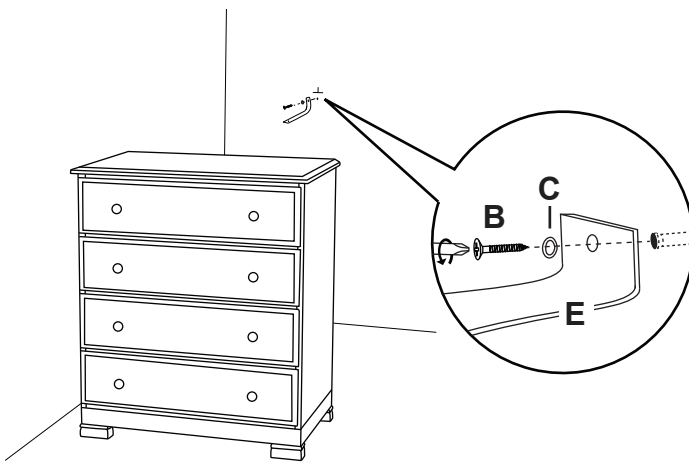
**1**



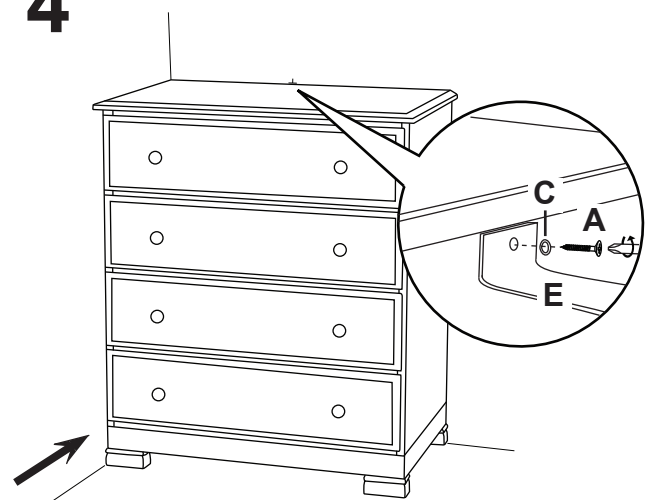
**2**



**3**



**4**



#### Safety Notes:

- Do not allow your children to climb or jump on the furniture or in the drawer. Climbing on the furniture could make it top-heavy and cause the furniture to damage or tip over.
- Never move or push heavy furniture by yourself as it can cause the furniture to tip over.
- This furniture is not intended to support TV or other heavy items.
- Do not overload the drawers.