

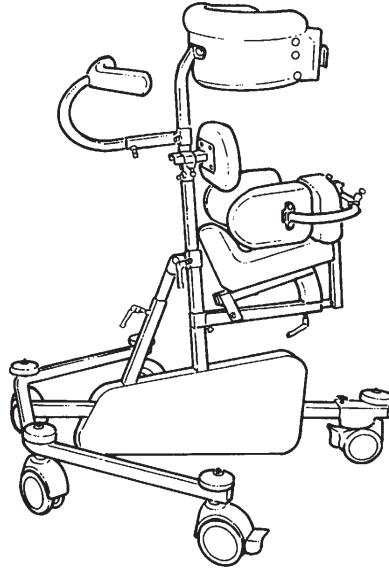
R82[®] 

ponyTM

English user manual

GB CONTENTS

Pony	3
Safety	4
Warranty	4
Tools	4
Maintenance	4
Ready for use	5
Height adjustment of seat and body support	6
Angle adjustment	6
Directional stabilizer, rear wheel	7
Directional stabilizer, front wheels	7
Drag wheels	8
Abdominal pad	8
Rear support	8
Head support	9
Handbrake	10
Armrest	10
Side supports	11
Helper's handle	11
Vertical hand grips, mounted at the ends	12
Vertical hand grips, mounted in the middle	13
Product identification	14
Measurements	15
Technical data	16
Producer	16
Distributor	16
Disposal	16

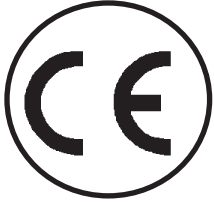


GB PONY

Congratulations on choosing the PONY. We are convinced that it will fully live up to your expectations.

The PONY is a walking aid from R82 for children from 18 months to eight years of age needing supplementary assistance with their daily walking. It comes in 4 different sizes.

This manual describe and illustrates all functions, and will enable you to take maximum advantage of your PONY.



GB SAFETY

Pony is CE-marked. This is your guarantee that the product fulfills the required European health- and safety demands. Pony is CE-marked according to the European Council Directive 93/42/EØF, class I, of 14. June 1993 regarding medical arrangements.

The durability of this product corresponds to a life cycle of 5 years at normal use. Hereafter the product must be renovated (by R82 personnel) to extend the life time.



Pony is solely for indoor use.



Remove the CE-mark, when re-building the product or when using other than original R82 spare parts and fittings.



Check the strap before every use and replace any worn out parts before using this product.



Never leave your child unattended in this product. Ensure constant supervision by an adult. Incorrect use of the product, may cause serious injury to the user. Ensure that the belt is securely fixed to the frame before every use.



For the purpose of safety and comfort, always move the product away from the sun and allow to cool before use

GB WARRANTY

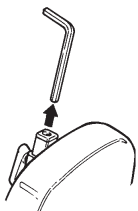
R82 offers a 2-year warranty against defects in workmanship and materials and a 5-year warranty on breakage of the metal frame caused by defects in welds. The warranty would be adversely affected if the customer's responsibility of servicing and/or daily maintenance is not carried out according to the guidelines and intervals prescribed by the supplier and/or stated in the manual. For further information, we refer to the R82 homepage/download. The warranty can only be sustained if the R82 product is in use in the same country where it was purchased and if the product can be identified by the serial number. The warranty does not cover accidental damage, including damage caused by misuse or neglect. The warranty does not extend to non-durable parts, which are subject to normal wear and tear and need periodic replacement. The warranty is null and void if non-original R82 parts/accessories are used, or if the product is repaired or altered by anyone other than an authorised R82 representative or by trained personnel officially recognised by R82 for repair and maintenance of R82 products. R82 reserves the right to inspect the product being claimed for and the relevant documentation before agreeing to the warranty claim, and to decide upon whether to replace or repair the defective product. It is the customer's responsibility to return the item being claimed for under warranty to the address of purchase. The warranty is given by R82 or, subsequently, an R82 dealer.



GB TOOLS

Behind the rear support you will find a 4 mm Allan key.

This key is used to perform some of the adjustments described in this manual.



GB MAINTENANCE

The Pony functions without any maintenance, but it is recommended to clean the frame frequently.



Do not use any cleaning materials containing chlorine.



Adjustments and changes not described in this manual, must be made by authorized R82 personnel.

GB READY FOR USE

Lift up the two bars on the frame. Except Pony 0

NOTE: Remove black lever first, then:
 A: Place the schroud over the bars.
 B: Fasten the schroud with the four Phillips headscrews.
 Except Pony 0

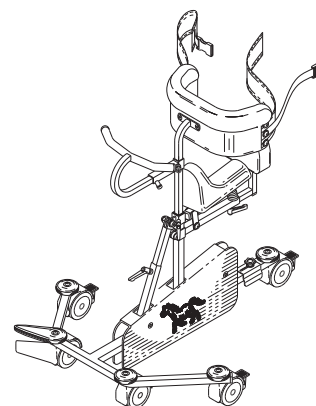
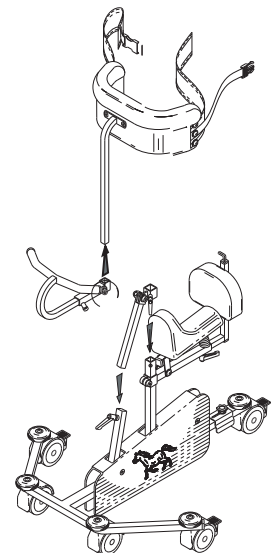
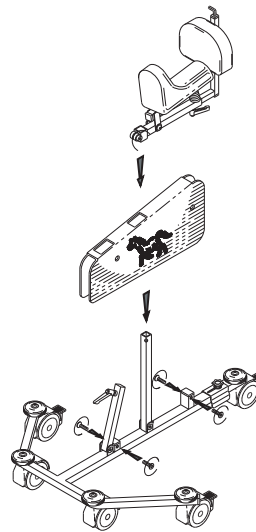
Place the seat on the large vertical bar. Fasten with the attached Allen key.

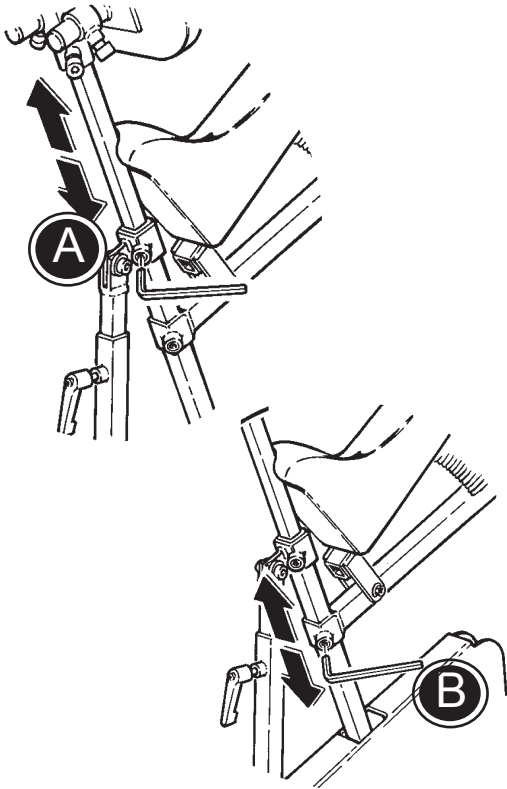
Install the angle adjustment bar:
 A: Insert the bar into the smaller vertical bar. Fasten with handle.
 B: Place the pivoting end over the larger vertical bar. Fasten with the Allen key.

Place the hand grip on the body support bar and slide it to the top. Fasten with the Allen key.

Insert the body support into the larger vertical bar and fasten with the Allen key.

Your PONY is assembled.



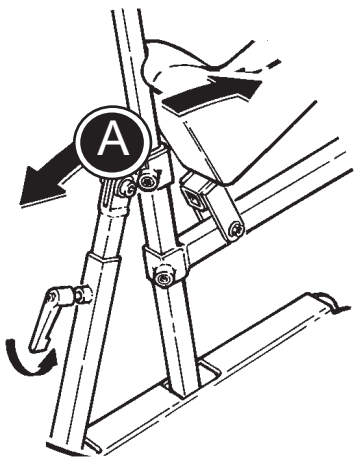


GB HEIGHT ADJUSTMENT OF SEAT AND BODY SUPPORT

Adjust the height or remove the body support by using the Allen key. (A)

Use the Allen key as shown to adjust the seat height. (B)

G
B

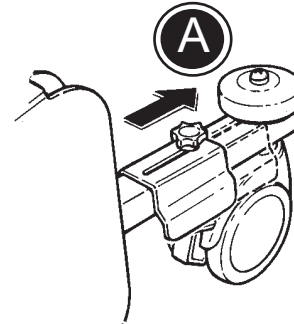


GB ANGLE ADJUSTMENT

Loosen the black lever (A) as shown to adjust the angle of the PONY. Tighten the lever when the desired angle is attained.

GB DIRECTIONAL STABILIZER, REAR WHEEL

The directional stabilizer prevents the rear wheel from turning. To lock the rear wheel, loosen the knob securing the stabilizer, turn the wheel as shown, slide the stabilizer over the wheel, and tighten the knob. (A)



GB DIRECTIONAL STABILIZER, FRONT WHEELS

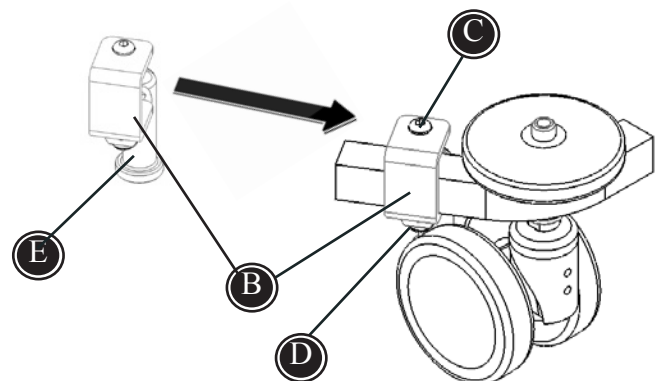
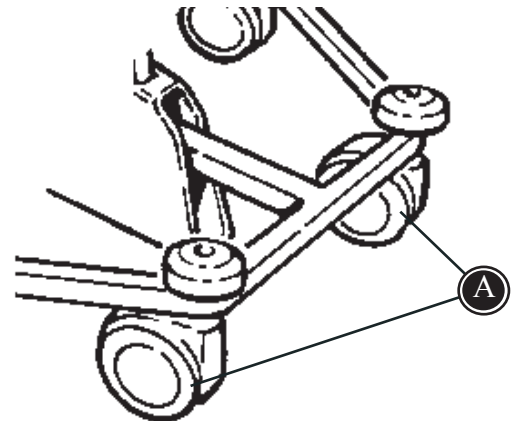
Follow the instructions below to mount the directional stabiliser (B) on the Pony.

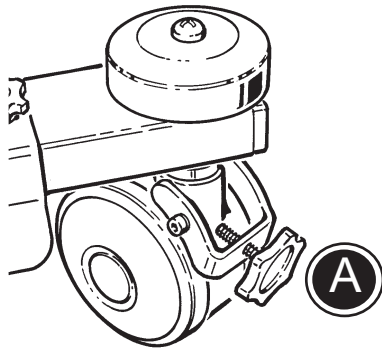
The directional stabilisers are mounted by the 2 front wheels (A) on the Pony.

- * Activate the stabilisers by swinging down the 'legs' (E).
- * Make sure that the wheels (A) are pointing in the right direction as shown on the drawing.
- * Place the stabiliser (B) over the frame behind the wheels, as shown on the drawing.
- * Tighten the screw (C)

When the directional stabilisers are mounted, these are easily activated or de-activated. This is done by swinging the 'legs' (E) upwards or downwards.

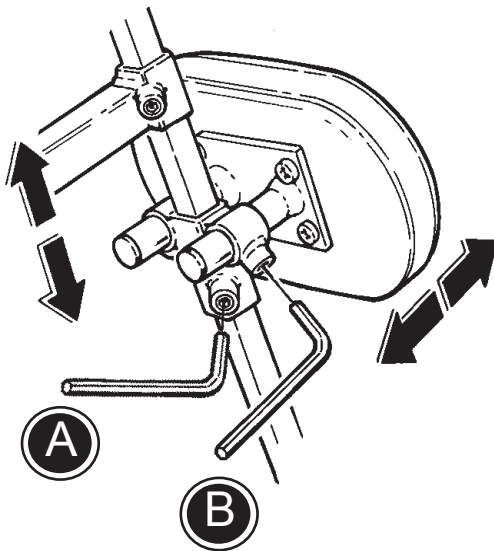
For exact directional stabilising adjustment, the screw underneath (D) can be loosened and the stabiliser adjusted and then retightened.





GB DRAG WHEELS


The Pony is as standard equipped with one drag wheel. Mount the enclosed screw on the rear wheel and fasten as needed (A).

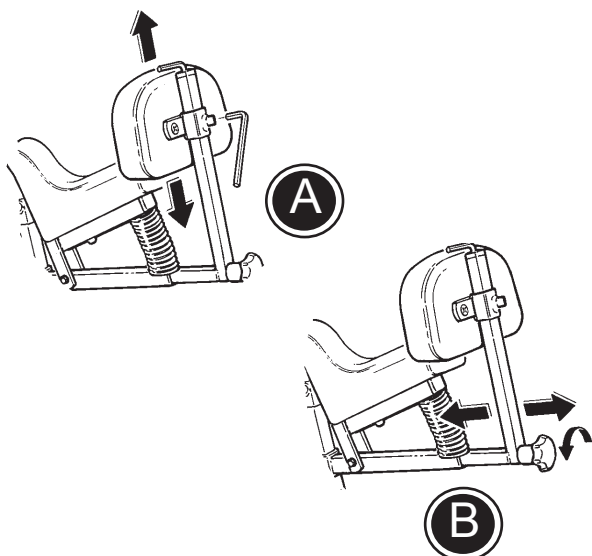


GB ABDOMINAL PAD

Height adjustment of the abdominal pad is performed with the Allen key. (A)

Depth adjustment of the abdominal pad is performed with the Allen key. (B)

 Only for size 1+2+3



GB REAR SUPPORT

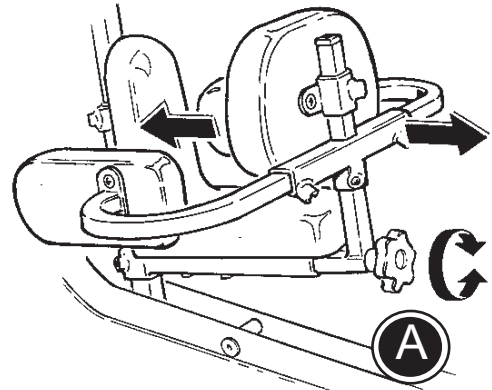
Use the Allen key to adjust the height of the rear support. (A)

Remove or adjust the depth of the rear support by utilizing the handle behind the seat. (B)

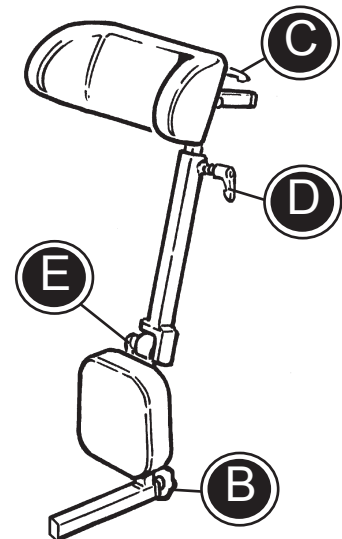
GB HEAD SUPPORT

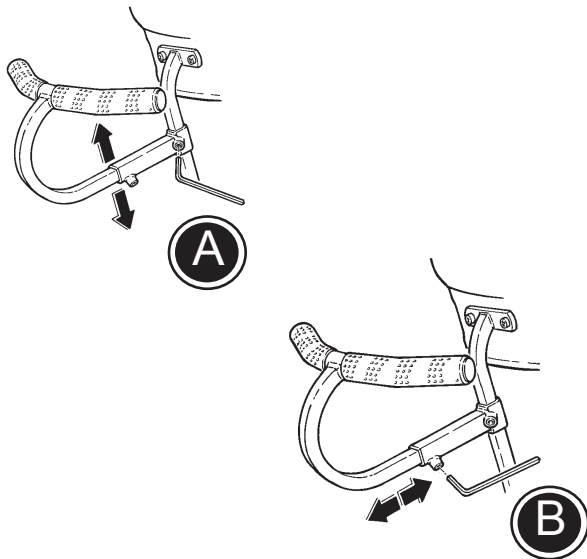
Follow the below to mount the head support correctly on the Pony:

- 1) Loosen the screw (A) to dismount the rear support and the side supports.
- 2) Mount the head support beneath the seat and fasten the screw (B).
- 3) Loosen the handles (C), (D) and (E) to height, width and angle adjust the head support.



! When both head support and side supports are needed, the side supports have to be mounted on the body support bar. Please notice that Pony size 2+3 can not be equipped with both head support and side supports.

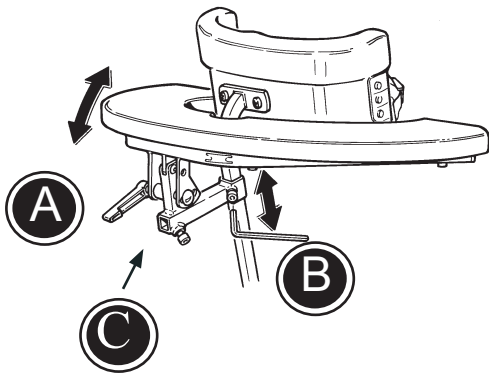




GB HANDBRACE

Height adjustment of the handbrace is done with the Allen key (A).

Depth adjustment of the handbrace is done with the Allen key (B).



GB ARMREST

An armrest can be mounted together with the handbrace. Dismount the body support (see page 10) to switch the fittings.

Angle the armrest by using the black lever (A). Adjust the height with the Allen key. (B)

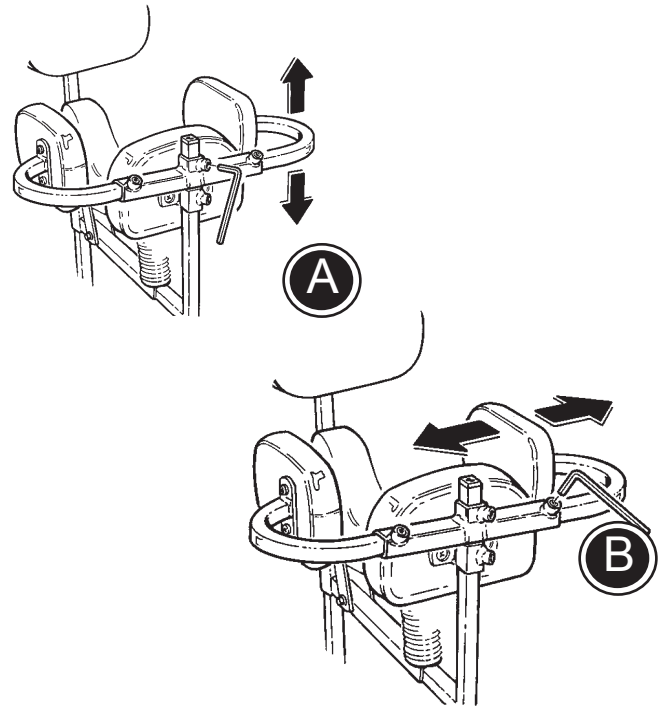
Insert the hand brace into the cross bar of the armrest fittings. (C)

GB SIDE SUPPORTS

The side supports are mounted on the rear support bar.


Adjust the height with the attached Allen key (A).

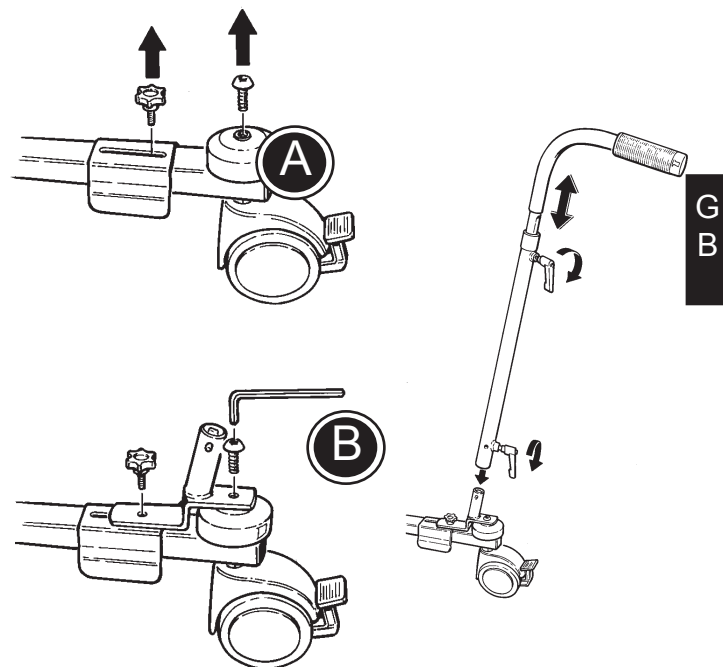
The side supports are individually adjustable in width as shown. (B)

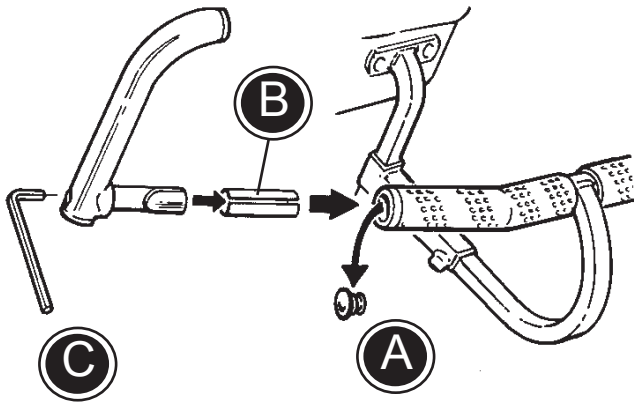


GB HELPER'S HANDLE

1. To be able to place the helper's handle, mount the fittings first. Start by dismantling the two screws as shown (A). Then place the fittings and tighten the screws again. (B)
2. When the bar clicks into place tighten the black lever as shown.
3. Height adjustment of the handle.

 Do not lift the Pony by using the helper's handle.





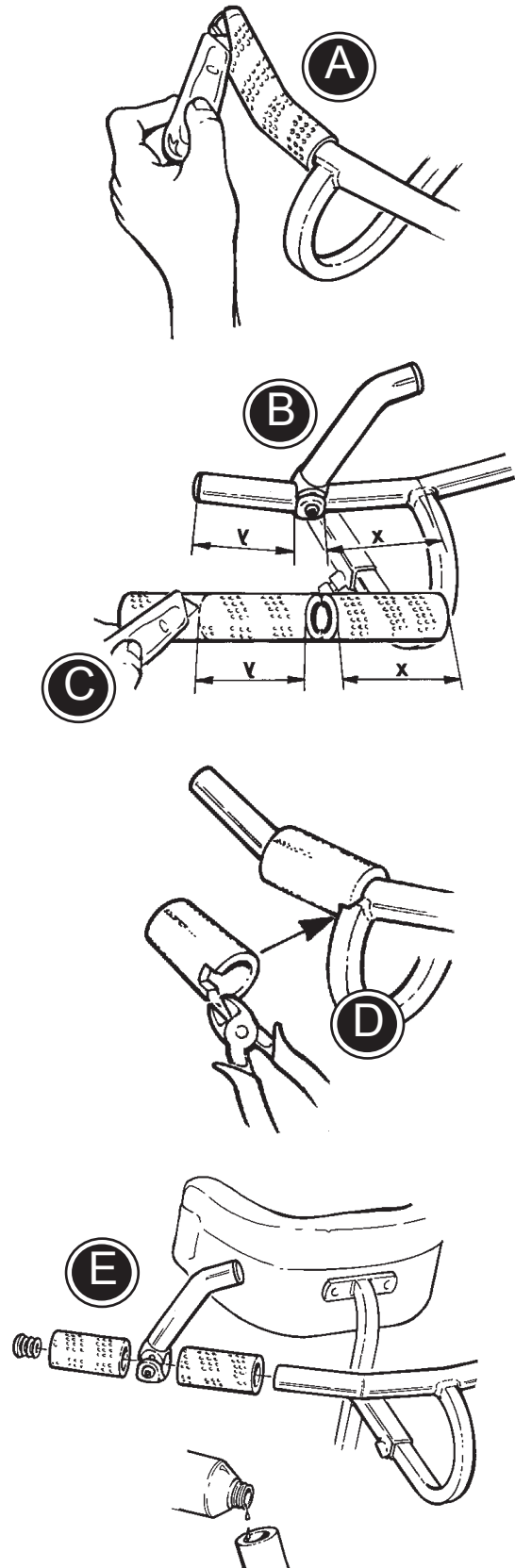
GB VERTICAL HAND GRIPS, MOUNTED AT THE ENDS

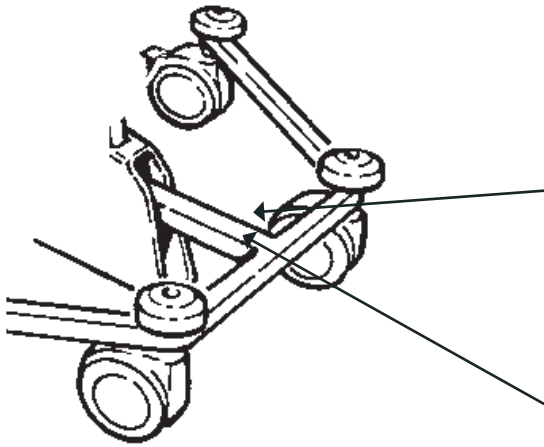
Mount the vertical hand grips at the end of the hand brace in the following manner:

- 1) Pop out the stopper (A) with a screwdriver.
- 2) Insert the grip and the supplied bushing (B) into the hand brace at the desired angle.
- 3) Tighten with the Allen key (C).

GB VERTICAL HAND GRIPS, MOUNTED IN THE MIDDLE

1. Cut the grip material (A) and remove it from the handbrace. Remove the stopper.
2. Determine placement of the hand grip (B) and take measurements to determine length of new grip material required for both sides of the hand grip. Cut grip material (C) to fit handle.
3. You can notch the grip material as shown (D) for complete coverage of the handle.
4. Mount the inside piece of the grip material. (Pouring some ethyl alcohol into the grip helps it slide onto the hand brace). Mount the hand grip (E) and tighten with the Allen key. Mount the outer grip material and replace the stopper.





GB PRODUCT IDENTIFICATION

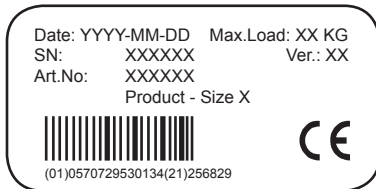
A) Serial number

The label is placed between the front wheels under the frame.

B) Manufacturer

The label is placed between the front wheels on top of the frame.

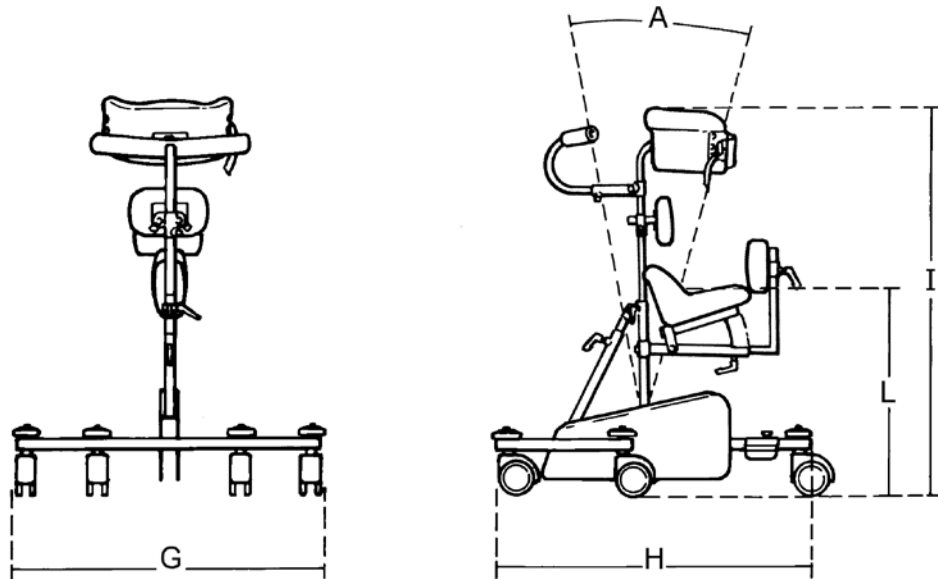
A



**G
B**

B





GB MEASUREMENTS

	Size 0	Size 1	Size 2	Size 3
Seat height (L)	240-380 mm	380-500 mm	480-640 mm	550-900 mm
Width(G)	590 mm	690 mm	770 mm	1030 mm
Length (H)	670 mm	720 mm	1040 mm	1250 mm
Height (l)	520-690 mm	600-820 mm	680-1040 mm	930-1300 mm
Angle frequency (A)	32°	32°	32°	32°
Weight	7 kg	10 kg	13,5 kg	17 kg
Max load	30 kg	40 kg	50 kg	75 kg

GB TECHNICAL DATA

Frame: Chrome or powder lacquered Steel

Upholstery: PUR (Polyurethane foam). Non-ignition.

GB PRODUCER

R82 A/S
Parallelvej 3
8751 Gedved
Denmark

GB DISTRIBUTOR



Please find your distributor on www.R82.com

GB DISPOSAL

**G
B**

When a product reaches the end of its lifetime, it should be separated by material type so that the parts can be recycled or disposed of properly. If required, please contact your local dealer for a precise description of each material. Please contact your local authorities to be informed of the options available for recycling in an environmentally-friendly way.