

LENOXX

MODEL: BT9335

BLUETOOTH SUBWOODER MUSIC SYSTEM



- USB STICK NOT INCLUDED

USER MANUAL

MAIN FUNCTIONS:

USB PORT/SD CARD SLOT/AUX-IN/EARPHONE

BLUETOOTH/ FM WITH ANTENNA

LCD DISPLAY

EQ FUNCTION

SPECIFICATIONS:

TOTAL POWER: 30W

DIMENSIONS: 55CM x 21CM x 25CM

WEIGHT: 2.9KG

VOLTAGE: 100V-240V

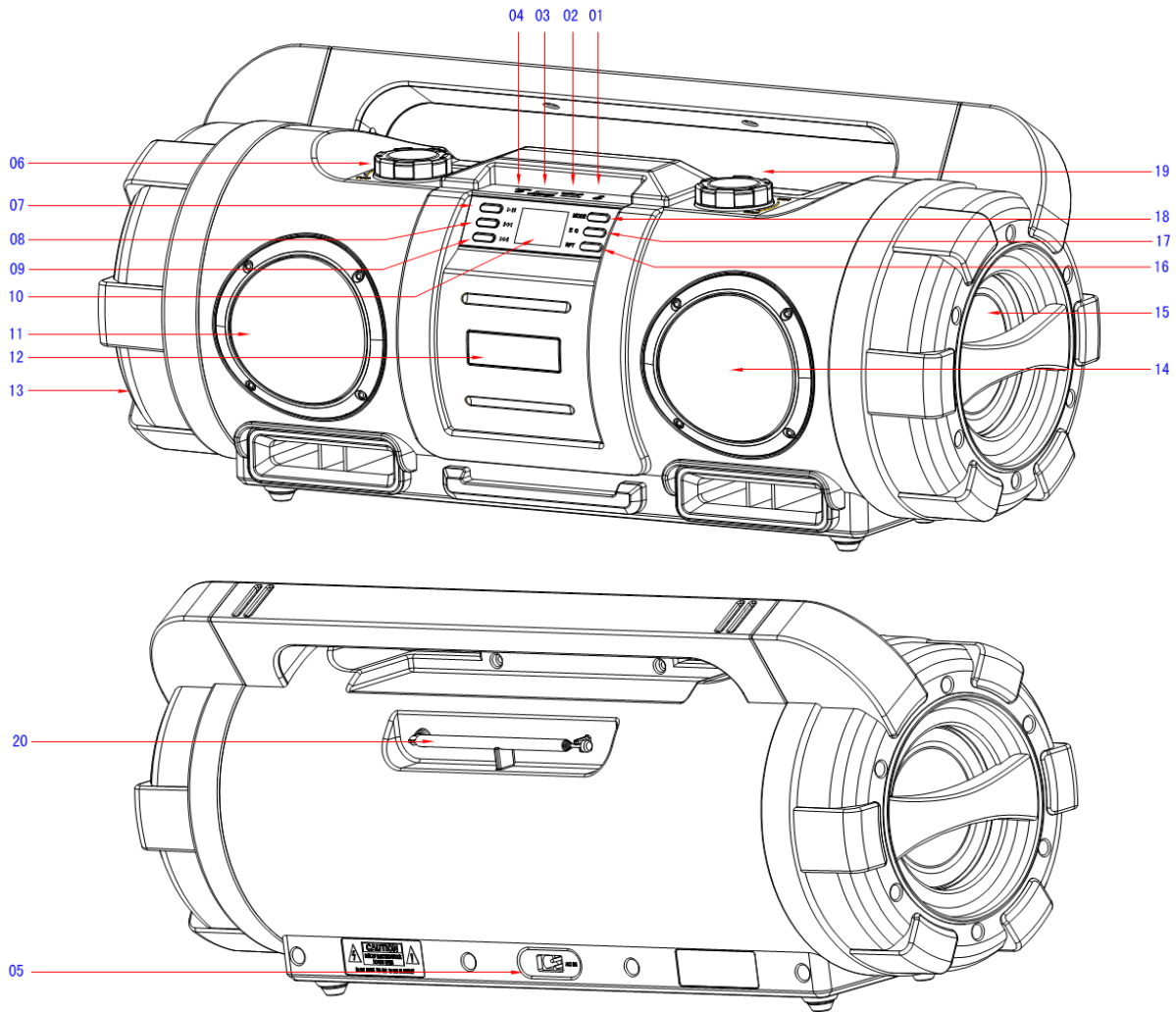
ACCESSORIES:

1 x BOOMBOX

1 x ADAPTOR

1 x USER MANUAL

1 x WARRANTY CARD



- | | | | |
|-----------------------|--------------------|--------------------|---------------|
| 01 EARPHONE | 07 PLAY/PAUSE | 13 WOOFER SPEAKER | 19 FM TUNNING |
| 02 MICRO SD CARD SLOT | 08 PREVIOUS | 14 TWEETER SPEAKER | 20 ANTENNA |
| 03 USB PORT | 09 NEXT | 15 WOOFER SPEAKER | |
| 04 AUX-IN | 10 DISPLAY | 16 REPEAT | |
| 05 DC POWER | 11 TWEETER SPEAKER | 17 EQ | |
| 06 POWER/VOLUME | 12 LOGO | 18 MODE | |

Before Using

- Please read these instructions carefully before using and keep them for future reference.
- Use the adaptor to connect the product with power outlet.

OPERATION:

1. **ON/OFF:** Turn the ON/OFF switch (06) to either ON or OFF.
2. **MODE BUTTON:** Press the MODE BUTTON (18) to change the mode between BT/FM/USB/MICRO SD CARD/AUX-IN. When you insert a related accessory to the MICRO SD CARD SLOT (02), USB PORT (03) or AUX IN PORT (04), it will switch to the related mode automatically.
3. **VOLUME CONTROL:** Turn the VOLUME CONTROL (06) to control the volume.
4. **PLAY/PAUSE:** When the unit is playing back from MICRO SD or USB STICK, press the PLAY/PAUSE button (07) to pause and play.
5. **EARPHONES:** When you insert earphones to the EARPHONE JACK (01), the sound will begin to playback through the connected earphones automatically.
6. **BLUETOOTH FUNCTION:** When the unit is in BT mode, open your Bluetooth device to scan and connect. The Bluetooth name of this speaker is **BT9335LEN**. When the display screen on the unit shows: "b-pl", it is connected and can play the music. Use the PLAY/PAUSE button (07) to pause and play, use the PREVIOUS button (08) and NEXT button (09) to select one previous/next music track.
7. **FM FUNCTION:** When the unit is in FM mode, use the FM TUNING CONTROL (19) to manually change to a different radio station. Use the FM ANTENNA (20) to increase reception.
6. **REPEAT MODE:** When the unit is playing back from MICRO SD or USB STICK, Press the REPEAT BUTTON (16) to choose between the different repeat playing style. Choose from FOLD (repeat all tracks in a particular folder), ONE (repeat the current playing track), RAN (playback all music tracks in random order) or ALL (repeat play all tracks).
7. **FF/REW:** When the unit is playing back from MICRO SD or USB STICK, press the PREVIOUS BUTTON (08) to go backwards to previous track playback. Press the NEXT BUTTON (09) to go forwards to the next track playback.
8. **EQ BUTTON:** When the unit is playing back from MICRO SD or USB STICK, press the EQ BUTTON (17) to choose between the different EQ playback styles: NORMAL/POP/ROCK/JAZZ/CLASSIC.

Important Guidelines

- Do not allow children to use electrical equipment without adults' supervision. Educate children about the danger and safety rules associated with operating electrical equipment.
- Do not operate any appliance with a damaged cord or plug, or after the appliance malfunctions Customer care/service center.

LENOXX

Lenoxx Electronics Aust. Pty Ltd
Importers and Wholesalers of Electronics and toys
6 Oban court, Laverton North. Victoria. 3026
ABN: 97 844 321 851
PH: 03 9267 2100
FAX: 03 9267 2199
For service call: 1300 666 848
Email: lenoxx@lenoxx.com.au
www.lenoxx.com.au