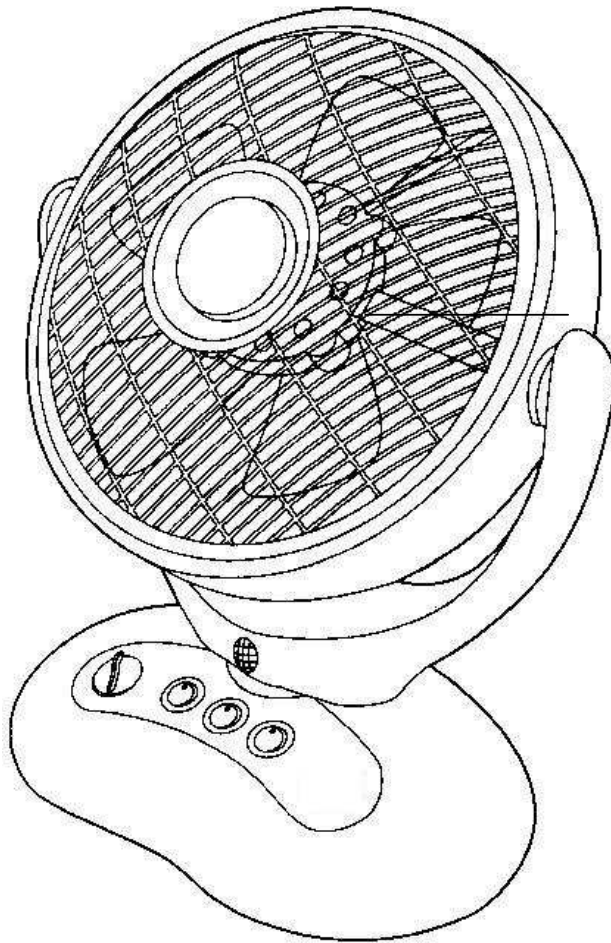


Owner's Manual



Fan

Model SF-1041

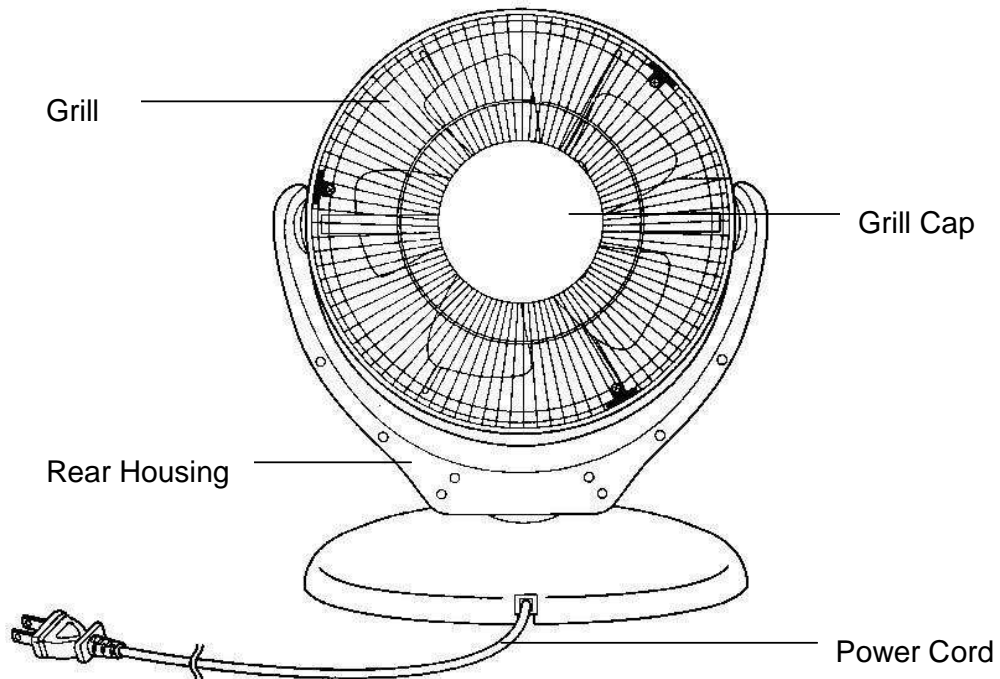
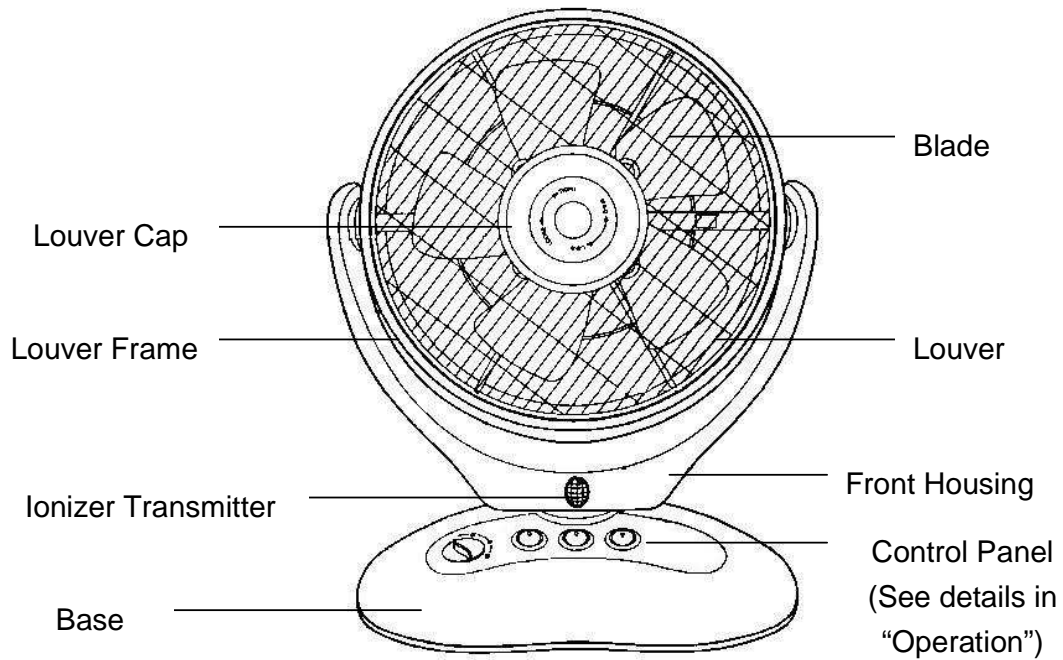


 **SUNPENTOWN INTERNATIONAL INC.**

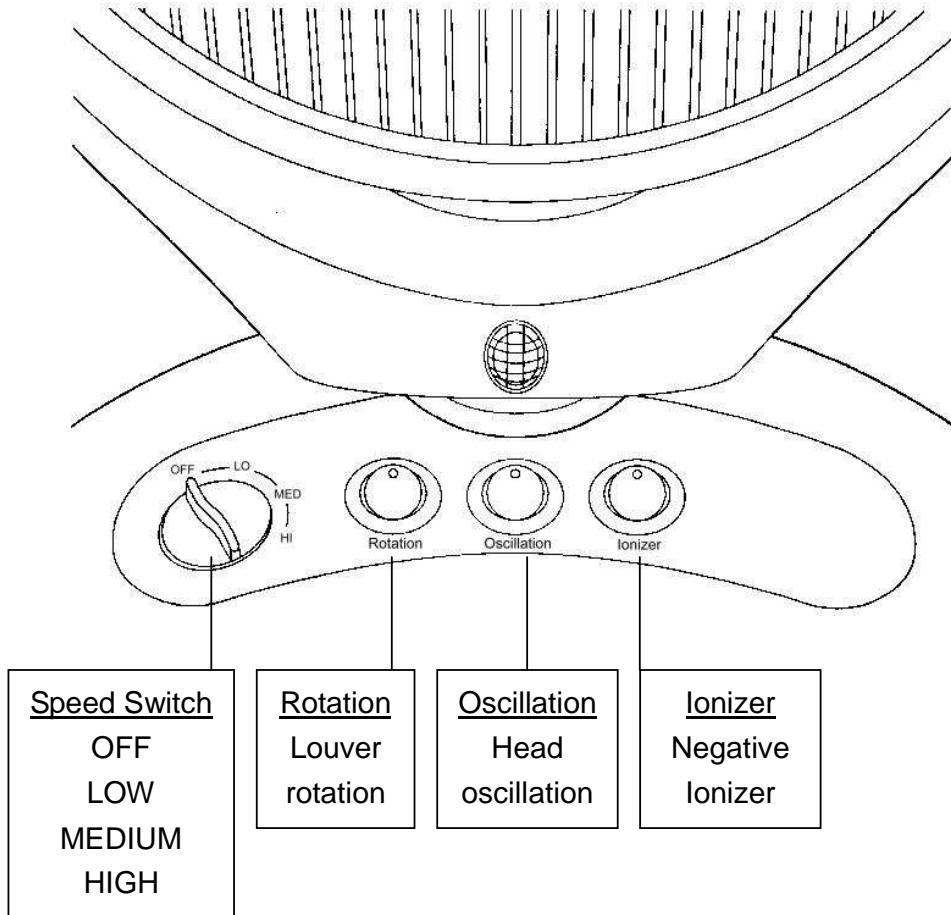
INTRODUCTION

Thank you for purchasing SPTusa Fan. **Please Read and Save The Instructions.**

STRUCTURE



OPERATION



NEGATIVE IONIZER

This fan is included the Negative Ionizer device. Dust, pollen, mold spores, pet dander and smoke particles are usually included positive ions inside. Negative Ionizer creates negative ions, and neutralize with the positive ions in the air. With Negative Ionizer, the fan is able to improve your room air quality efficiently.

SETUP

Your Fan was thoroughly inspected and tested at the factory prior to packaging. Visually inspect it upon removal from its packaging. Return the unit if it shows any signs of damage or mishandling.

WARNING: To Avoid Fire Or Shock Hazard, This Unit Should ONLY Be Plugged Into A Polarized 120 Volt AC Outlet.

IMPORTANT SAFETY INSTRUCTIONS

Please read all instructions before using this product. Save these instructions for future reference. When using electrical appliances, basic precautions should always be followed to reduce breakage, risk of fire, electric shock and injury to persons including the following:

- Do not use this fan outdoors.
- Never use this fan unless it is fully assembled.
- Do not use the fan under the following conditions: 1) High temperature of over 104°F. 2) High humidity. 3) Steam filled room.
- Do not push finger or any object through the grill and do not touch the blade during use; especially be aware of children and infants during use.
- Be cautious that curtains or other objects are not sucked into the fan during operation.
- Do not spray the fan with insecticide, which will damage the surface.
- This fan has a polarized plug (one blade is wider than the other). To reduce risk of shock, this plug is intended to fit in a polarized outlet only one way. If the plug does not fit fully in the outlet, reverse the plug. If it still does not fit, contact a qualified electrician. Do not attempt to defeat this safety feature.

WARNING: To Reduce The Risk Of Fire Or Electric Shock, Do Not Use This Unit With Any Solid-State Speed Control Device.

CLEANING THE UNIT

WARNING: To avoid serious injury from electric shock, the unit must be turned OFF and unplugged from the power outlet prior to any cleaning operation.

1. Turn the unit OFF and unplug the power cord from power outlet.
2. Clean unit with a moistened soft cloth only. DO NOT pour or splash water on the unit or use any abrasive type cleaner on it. Clean all external surfaces, especially the air intake grilles and air outlet.
1. Reposition the unit, plug power cord into power outlet and turn ON.

TECHNICAL SPECIFICATIONS

Length	13.4in.
Width	8.3in.
Height	16.1in.

Weight	6lb.
Input voltage	120 volts AC, 60Hz

CUSTOMER ASSISTANCE LINE

If you experience a problem, please see the warranty for information. Please **DO NOT** attempt to repair this unit yourself. Doing so, will void your warranty and could cause damage to the fan or personal injury to yourself. If you have any questions concerning this appliance, please call:

1-626-581-1818

YOUR GUARANTEE

If this product is found to be faulty as a result of faulty materials or workmanship within 1 year from date of purchase, it will be repaired or replaced free of charge.

This guarantee is subject to the following terms:

1. Sunpentown must be notified of the fault.
2. Proof of purchase must be presented to Sunpentown's nominated representative.
3. The warranty will be void if the product is modified, misused or repaired by an unauthorized person.
4. The guarantee after repair or replacement will not be extended beyond the original one-year period.
5. All replacement parts or units will be new or reconditioned.
6. Parts or units, which are replaced, become the property of Sunpentown.
7. The warranty applies for the use of the product in the USA.
8. Warranty does not include freight charges.

This GUARANTEE is in addition to your Statutory Rights.

Please keep this warranty for your record. **DO NOT** return it.