

## I . General

### 1. Produce Type Name

Produce Type Number	MINI DVB - T
---------------------	--------------

### 2. Main Features

STB Type	TV1900
Main Chipset	ALI-M3381R A1+ALI M3100A1
Mechanical	4F CASE
Func/Interface	MINI SCART (AV/L/R RGB)

### 3. Special Features

Heatsinking	Yes, Shell outside
Encrypt	No
Video Modulator	No
TUNER Type	CAM TUNER Design
Demodulator Type	Embed to Main Chip Set
Power Supply	DC5V2A

### 4. Notice

RoHS	Need
Certification	CE Authentication by CCS

## II. Software Features

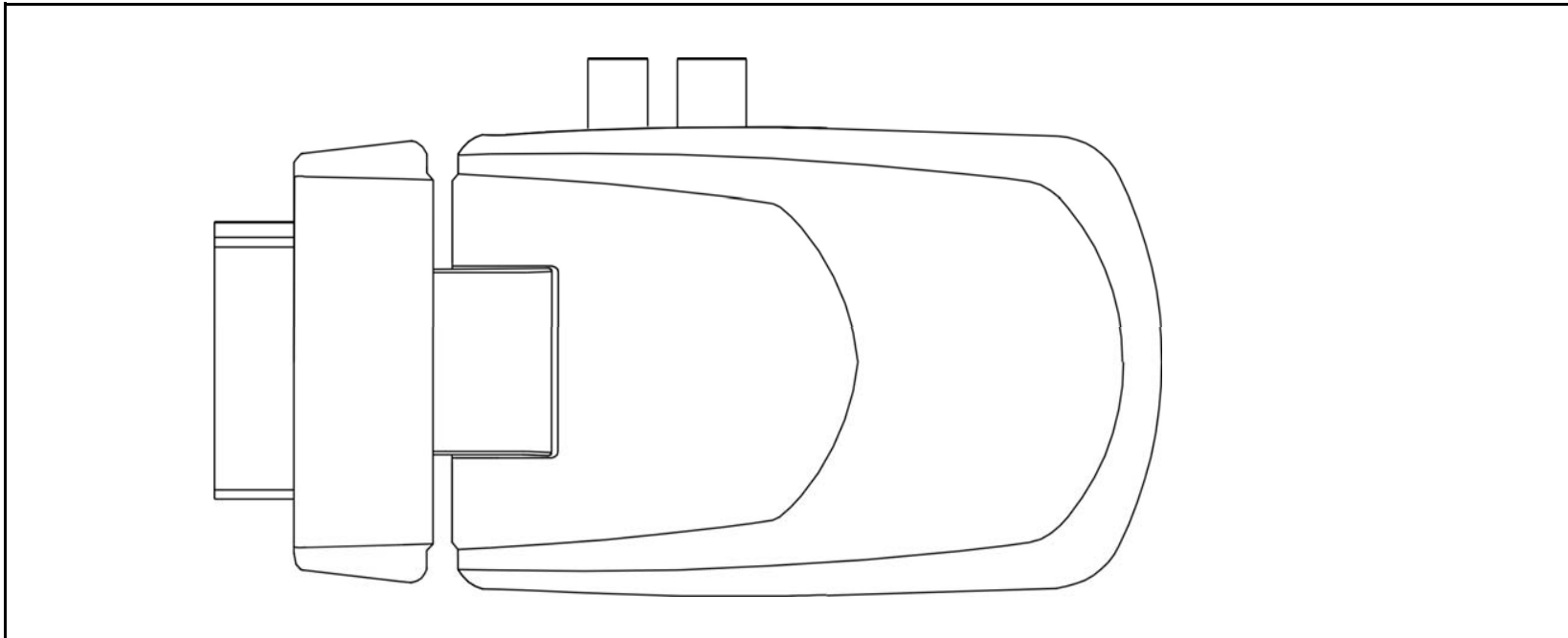
### 1. Software General Features (DVB-T)

MPEG2	MPEG2 (MP@ML) , SD MPEG 4, AVC/H264 @ L3 Compatible
PAN/NTSC	Automatic PAL/NTSC conversion
Channels Number	1000 channels TV and Radio programmable
Favorites	8 different favorite groups selection
OSD Language	English German French Portuguese Spanish Italian U_Dutch Danish W_Swedish N_Finnish RUSSIAN Turkish

EPG	Fully support to 7 days Electronic Program Guide (EPG)
Picture	JPEG BMP GIF support, Flesh tone extension, Black/White extension
OSD color	4/8/16-bit OSD with anti-flickering
Channel Search	Channel search in automatic, manual and network search
Channel Edit	Various channel editing function (favorite, move, lock, skip, delete, rename, find, sort)
Parental Ctrl	Parental control for channels
Easy Menu	Plug and Play installation, with an ease to use Menu System
SoftUpgrade	Software upgrades through USB/Cardreader
Subtitle	Subtitle support
Teletext	VBI insertion for Teletext, CC and WSS
Save Channel	Automatic save for last channel
LCN	Support Logic Channel Number (LCN)
Act-Ana Ctrl	Active Antenna Power supply control
D. A. B	Support D. A. B (Digital Audio Broadcast)

### III. Hardware Features

1. Back panel

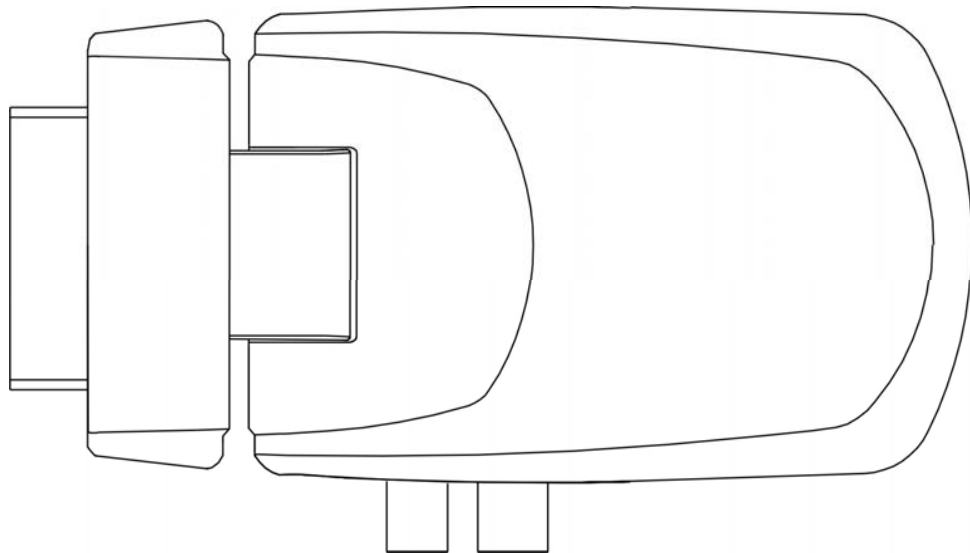


ANT IN	IEC 169-2, Female
ANT OUT	IEC 169-3, Female
TV SCART	21 PIN Male, CVBS, RGB, Audio L/R
POWER	5V/2A Adaptor Input
Features	Shaking his head 180 degrees

2. Front panel

Interface	RFIN RFOUT IR USB DC5V
LED Indicator	RED:Power On
IR	38KHz

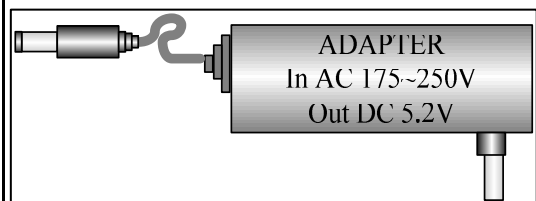
3. STB Assembly



USB2.0

PVR

JPG, BMP, /MP3 WMA/MPEG1/2/3GP



电源适配器 (标配)

IR接收头 (标配)



USB转接线 (选配)



4. Remoter



Remote distance	Less than 8 m / angle of 120 degrees
Battery Type	2 x 1.5V AAA

5. Mechanical

Mechanical Type	1F plastic front panel and mantel case
Dimension	L: 153mm, W: 75mm, H: 25mm
Net Weight	kg

6. Packing

Type	Egg Shell, 40 PCS per Box for C mantel
Outline Size	L: mm, W: mm, H: 0 mm
Shipping Info	? sets/40' container, ? sets/40' container

7. Accessories

Battery	2 x 1.5V AAA
User manual	Color cover/black white Print Manual

IV. Electric Performance

1. Main Chip Sets

CPU frequency	MHz MIPS CPU, Memory Clock 132MHz
Flash Memory	16MB Serial Flash
DDR Memory	256MB DDR400 RAM1

Demodulator IC	Building in Main Chip Set
----------------	---------------------------

2. DVB-T Tuner

Tuner Type	MXL5007T
Input Frequency Range	VHF:174~230MHz; UHF:470~862MHz;
Input Impedance	75 Ω
Active Ant Power	5VDC @ 400mA MAX, Overload Protection
Input Signal Level	. -75~-20dBm

3. DVB-T Channel Decoder

Waveform	COFDM (Code Orthogonal Frequency Division Multiplexing)
Bandwidth	6、7、8MHz
Demodulation	QPSK, 16QAM, 64QAM
FFT SIZE	2K、8K
Code Rate	1/2、2/3、3/4、5/6、7/8
Guard Intervals	1/4、1/8、1/16、1/32

4. USB Decode

HDD Format	FAT or NTFS, press OK to confirm, or Cancel to cancel, EXIT to quit.
File system	1 USB2.0 Port, USB media player to playback the media in USB flash disk or USB HDD or USB card reader with memory card.
Record Selection	Use LEFT/ RIGHT button to change the setting. Press EXIT to cancel and quit.
Software Updates	Software upgrade via SCART jack and USB device
USB2.0 High Speed HOST	DVR with USB HDD, Time shifting with USB HDD

5. Multimedia support format

movie	mpg, dat, vod,
music	mp3
photo	JPEG, BMP

6. Video Decode

Video Decode	MPEG2 (MP@ML) , MPEG 4, AVC/H. 264 @ L3 Compatible
Aspect Ratio	Auto, 16:9 Pillar box, 4:3 Pan & Scan, 4:3 Letter Box.
Video Resolution	PAL 720×576 @ 25 Hz; NTSC 720X480 @ 30 Hz;

7. Audio Decode

Audio Decode	MPEG-1, 2 Layer 1 & 2 AAC
Sound Mode	Stereo, Left, Right
Sampling Frequency	32KHz、44.1KHz、48KHz

8. AV Output

Video Bandwidth	5.5MHz(-3dB)
Video Impedance	75 Ω
Video Voltage Level	1.0 Vp-p
Audio Freq. Range	20~20KHz
Audio Impedance	600 Ω
Audio Voltage Level	2V rms(5.6Vp-p)

9. Environment

Input Voltage	DC 5V2A
Consumption	< 6 W / ≤ 1 W Standby (it' s optional by customer' s board)
Temperature	0℃ to +42℃
Humidity	<95%

Option: Output voltage of USB port: 5V, 1500 mA (Max)

Option: Timer recording