

Frequently Asked Questions

GF-Series GlobalFrame® Cabinet System



Q. What is the recommended GF-Series GlobalFrame Cabinet configuration for supporting servers and blade servers in a hot aisle/cold aisle application that requires front-to-rear airflow?

A. CPI recommends a standard cabinet solution with perforated front and rear doors, a solid top panel and solid side panels. Use a 23.6" W (600 mm) cabinet to minimize floor space. Position the front pair of equipment mounting rails to form an air dam with the cabinet frame. The minimum cabinet frame depth should be 41.3" D (1050 mm) to provide adequate internal space for equipment and cable management. Remove the two large cable access port knockouts from the top panel at the rear of the cabinet and cover with a Cable Port Brush Kit (ordered separately). Include a Cable Lashing Bracket (ordered separately) or similar vertical cable manager at the rear of the cabinet for securing network and KVM cables that make equipment connections. Use the included standard PDU Brackets opposite the Cable Lashing Bracket to support vertical rack-mount PDUs at the rear of the cabinet. Cover any open (unused) rack-mount unit spaces with Snap-In Filler Panels (ordered separately). Suggested part numbers for an example configuration are listed in the table below:

Quantity	Part Number	Description
1	GF-1A320	GF-Series GlobalFrame Cabinet, Standard Configuration, 42U, 79.3"H x 23.6"W x 41.3"D (2013 mm x 600 mm x 1050 mm), Black
1	25221-701	Cable Lashing Bracket, 42U, 5"W (125 mm), Black
1	25190-001	Cable Port Brush Kit
2	TBD	CPI Vertical Power Strips or PDUs – matched to site/equipment requirements
TBD	34537-001	Snap-In Filler Panel, 1U x 19"EIA, Pack of 6, Black

Note: If you use a wider cabinet, include Rail Seal Kit (P/N 25250-70x, 25252-70x) to cover cable openings in the equipment mounting rails.

Q. What is the recommended GF-Series GlobalFrame Cabinet configuration for supporting servers and blade servers in a CPI Passive Cooling® ducted exhaust application that requires front-to-top airflow?

A. CPI recommends a high-density cabinet solution with perforated front door, solid rear door with seal, a solid top panel with Vertical Exhaust Duct, a Bottom Panel and solid side panels. Use a 23.6" W (600 mm) cabinet to minimize floor space. Position the front pair of equipment mounting rails to form an air dam with the cabinet frame. The minimum cabinet frame depth should be 41.3" D (1050 mm) to provide adequate internal space for capturing and guiding hot exhaust air through the duct at the top of the cabinet. Remove the two large cable access port knockouts from the top panel at the front of the cabinet and cover with a Cable Port Brush Kit (ordered separately). Include a Cable Lashing Bracket (ordered separately) or similar vertical cable manager at the rear of the cabinet for securing network and KVM cables that make equipment connections. Include a Full Height PDU Bracket (ordered separately) opposite the Cable Lashing Bracket to support vertical rack-mount PDUs and organize power cables at the rear of the cabinet. Include an Airflow Director (ordered separately) if per cabinet heat load exceeds 15 kW or if there is equipment mounted in the bottom 5U of the cabinet. Cover any open (unused) rack-mount unit spaces with Snap-In Filler Panels (ordered separately). Suggested part numbers for an example configuration are listed in the table below:

Quantity	Part Number	Description
1	GF-1A422	GF-Series GlobalFrame Cabinet, High-density, 42U, 79.3"H x 23.6"W x 47.2"D (2013 mm x 600 mm x 1200 mm), Black
1	25221-701	Cable Lashing Bracket, 42U, 5"W (125 mm), Black
1	25141-700	Full Height PDU Bracket, 42U, 5.2"W (132 mm), Black
1	25190-001	Cable Port Brush Kit
1	25150-701	Airflow Director, for 23.6"W (600 mm) Cabinet, Black
2	TBD	CPI Vertical Power Strips or PDUs – matched to site/equipment requirements
TBD	34537-001	Snap-In Filler Panel, 1U x 19"EIA, Pack of 6, Black

Note: If you use a wider cabinet, include Rail Seal Kit (P/N 25250-70x, 25252-70x) to cover cable openings in the equipment mounting rails.

Q. What is the recommended GF-Series GlobalFrame Cabinet configuration for supporting patch panels and fiber enclosures in a cross connect application?

A. CPI recommends a standard cabinet solution with perforated front and rear doors, a solid top panel and solid side panels. Use a 31.5" W (800 mm) cabinet to provide additional internal space for managing cables and patch cords. Position the front pair of equipment mounting rails setback approximately 9.25" (235mm) into the cabinet to provide space for managing patch cords at the front of the cabinet. The minimum cabinet frame depth should be 39.4" D (1000 mm) to provide



CHATSWORTH PRODUCTS, INC.

+1-800-834-4969
www.chatsworth.com

Frequently Asked Questions

GF-Series GlobalFrame® Cabinet System

adequate internal space for fiber enclosures and cable management. Remove all four large cable access port knockouts from the top panel and cover with Cable Port Brush Kits (ordered separately). Include two Cable Lashing Brackets (ordered separately) or similar vertical cable manager at the rear of the cabinet (one per side) for securing network premise cables. Include two Vertical Cable Managers (ordered separately) at the front of the cabinet (one per side) for organizing patch cords. Suggested part numbers for an example configuration are listed in the table below.

Quantity	Part Number	Description
1	GF-1C220	GF-Series GlobalFrame Cabinet, Standard Configuration, 42U, 79.3"H x 31.5"W x 39.4"D (2013 mm x 800 mm x 1000 mm), Black
2	25221-702	Cable Lashing Bracket, 42U, 10"W (250 mm), Black
2	25120-706	Vertical Cable Manager with Extended Fingers, 42U, for 31.5" (800 mm) Cabinet, Black
2	25190-001	Cable Port Brush Kit

Q. Which cabinets (part numbers) are stocked for immediate shipment?

A. Select cabinet part numbers and accessories are stocked regionally for immediate shipment. These items can be shipped within 24 hours reducing delivery times as compared to items that are built-to-order. For a list of products available in each region, refer to the immediate availability lists linked on the GlobalFrame webpage: www.chatsworth.com/globalframe.

Q. Will CPI install accessories in GF-Series GlobalFrame Cabinets?

A. CPI can install certain accessories in GlobalFrame Cabinets prior to shipping the cabinet, but this service only applies to build-to-order cabinets shipped in standard lead times, not stocked cabinets and accessories shipped within 24 hours. To order a cabinet with accessories installed, you must configure a GlobalFrame Cabinet (select the cabinet and accessories) using the on-line CPI Product Configurator for Cabinet and Enclosure Systems: www.chatsworth.com/configurator. There is a notes section to designate your specific requirements like spacing of equipment rails. The configured product will be assigned a CP part number and the price will include a fee for installing accessories.

Q. What vertical cable management options are available?

A. The GF-Series GlobalFrame Cabinet System offers three types of vertical cable managers: the Vertical Cable Manager, the Cable Ring Kit/Cable Ring Manager and the Cable Lashing Bracket Kit.

- The Vertical Cable Managers (P/Ns 25110-7XX, 25120-7XX, 25404-7XX) attach to the cabinet's equipment mounting rails and feature plastic T-shaped cable management fingers that project in front of the rails. Openings between the T-shaped fingers align with each rack-mount unit (U) in the cabinet allowing cables to be organized

by rack-mount unit (U). Models for 29.5" (750 mm) and 31.5" (800 mm) wide cabinets feature standard or extended fingers, include a door/cover and provide the largest amount of space for storing cables. Use this enhanced manager to organize high density cabling like patch and equipment cords for network switches, patch panels or servers with many network connections.

- The Cable Ring Kits (P/Ns 25104-001, 25105-00X, 25106-00X) and Cable Ring Managers (P/Ns 25103-7XX, 25102-7XX) include plastic snap on D-rings that allow cables to be loosely bundled while making it easier to add or remove cables as compared to cables bundled with Saf-T-Grips or tie wraps. Each Cable Ring Kit includes rings that attach directly to the cabinet's equipment mounting rail. Each Cable Ring Manager includes rings mounted on separate half-height mounting brackets that attach to the cabinet's frame and move independent of the equipment mounting rails allowing them to be positioned anywhere about the depth of the cabinet. The Cable Rings for 29.5"W (750 mm) and 31.5"W (800 mm) cabinets are available in two depths; medium and large. Cable Rings support the best practice of loose bundling and are suitable for all medium density cable management requirements.
- The Cable Lashing Bracket Kit (P/N 25221-7XX) includes two half-height mounting brackets that attach to the cabinet's frame and move independent of the equipment mounting rails allowing them to be positioned anywhere about the depth of the cabinet. The brackets feature U-shaped tie points to secure cable bundles with Saf-T-Grip Straps or cable ties. Cable Lashing Bracket Kit provides a basic solution for securing multiple cable bundles and is best used for low or medium density cabling where cabling will rarely change.

Q. How many cables will each cable manager hold?

A. It depends on the usable space within the manager, the size of the cable and how/if cables are bundled. Download the CPI Cable Fill Table at www.chatsworth.com/cablefill to compare recommended cable fill values for all CPI cable managers.

Q. What is the CPI Cable Fill Table?

A. The CPI Cable Fill Table is a spreadsheet that estimates maximum loose cable fill for all CPI cable managers. Cable fill is calculated by dividing the area of the internal cross section of a cable manager by the area of a single cable and reducing the value by 50% to allow for gaps between the cables. You can enter the diameter of the cable and a fill ratio for the manager. The table also lists the usable cable fill area of each cable manager if you use a different method to estimate cable fill. Download the CPI Cable Fill Table at www.chatsworth.com/cablefill.



Frequently Asked Questions

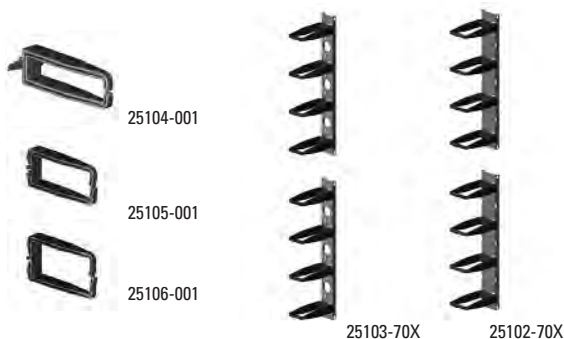
GF-Series GlobalFrame® Cabinet System

Q. Why are there different amounts of cable storage space for each of the Vertical Cable Managers?

A. The Vertical Cable Managers (P/N 25110-7XX, 25120-7XX, 25404-7XX) are sized to match the width of the cabinets and have different cross-sections providing different amounts of storage space for cables. The managers attach to the side of the equipment mounting rails inside the cabinet and create a vertical cable management space along the side of the equipment mounting rails that is bound by the rail and the side of the cabinet. All managers have plastic T-shaped cable management fingers that project in front of the equipment mounting rails. Openings between the T-shaped fingers align with each rack-mount unit (U) on the rails allowing cables to exit the cable manager at each rack-mount unit (U). For the 23.6" (600 mm) wide cabinet, the manager is simply the T-shaped cable management fingers. There are tie points on the side of the manager to secure cables with Saf-T-Grip® Straps or cable ties, but the cable storage space is limited because there is only a small amount of space between the equipment mounting rails and the cabinet's side panels. For the 29.5"W (750 mm) and 31.5"W (800 mm) cabinets, the managers include optional door/covers which are supported by brackets offset from the rails near the side panels. When the covers are used, the internal space for cables is bound by the T-shaped fingers and the brackets that support the cover. Additionally, the fingers on the managers for 29.5"W (750 mm) and 31.5"W (800 mm) cabinets are available in standard and extended lengths. The extended length is approximately 2.5" (64 mm) longer, providing additional depth (cross-section) for storing cables.

Q. What is the difference between Cable Ring Kits (P/N 25104-001, 25105-00X, 25106-00X) and Cable Ring Managers (P/N 25103-70X, 25102-70X)?

A. Each Cable Ring Kit (P/N 25104-001, 25105-00X, 25106-00X) includes eight plastic D-rings that attach directly to the equipment mounting rails in the cabinet. The rings snap onto the rails; no tools are required for installation. Each Cable Ring Manager (P/N 25103-70X, 25102-70X) includes eight plastic D-rings and two half-height brackets that attach to the cabinet frame independent of the equipment mounting rails. The Cable Ring Manager can be located at any location about the depth of the



cabinet.

Q. Are the different width Cable Ring Kits or Vertical Cable Managers compatible with all cabinet widths?

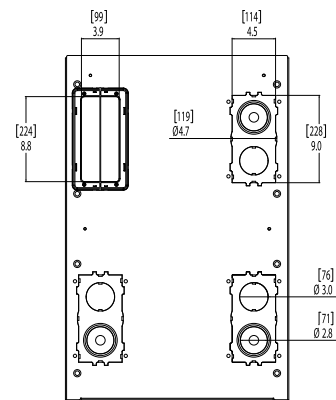
A. No, there are specific part numbers for each cabinet width and height.

Q. What is the maximum cable bundle size on the cable lashing bracket (P/Ns 25221-70X)?

A. The Cable Lashing Bracket is available in two widths: 5" (125 mm) and 10" (250 mm). The 5"W (125 mm) bracket is designed to accept two 2.25" (57.2 mm) diameter round cable bundles and the 10"W (250 mm) bracket is designed to accept three 3" (76 mm) diameter round cable bundles. Cable bundle sizes should be limited as required to prevent blocked access to or airflow from rack-mount equipment.

Q. How large is the rectangular knockout in the cabinet's top panel, the Bottom Panel and the Brush Side Panel?

A. The GF-Series GlobalFrame design uses a universally sized rectangular opening/knockout and brush cable access grommet in all top panels, bottom panels, and side panels. See the image of the top panel below for details. The rectangular opening /knockout is 4.5"W x 9"D (114 mm x 228 mm) with a single 4.7" (119 mm) diameter opening punched through the center for large power plugs. The two-piece brush cable access grommet that covers the opening provides a slightly smaller 3.9"W x 8.8"D (99 mm x 224 mm) brush sealed opening for cables. On the Bottom Panel (P/N 25130-7XX) and Brush Side Panel (P/N 25037-7XX), the rectangular knockout is removed and the opening is covered by a brush cable access grommet. On the top panel, the rectangular opening is a knockout that includes two smaller round 3.0" (76 mm) diameter knockouts. One of the round knockouts is removed and includes a 2.8" (71 mm) diameter grommet. Multiple knockouts allow users to configure the top panel to match cabling requirements. The brush cable access grommet is ordered separately as a Cable Port Brush Kit (P/N 35190-001). Additional round grommets are ordered separately as a Cable Port Grommet Kit (P/N 35021-000). Download the CPI Cable Fill Table at



Frequently Asked Questions

GF-Series GlobalFrame® Cabinet System

www.chatsworth.com/cablefill for recommended cable fill values.

Q. Can the GF-Series Global Frame Cabinet be configured to support side-to-side airflow for network switches?

A. Only in low-density, low power applications. The GF-Series GlobalFrame Cabinet does not fully support network switches with side-to-side airflow. Restricted airflow and uncontrolled recirculation inside the cabinet will not allow larger network switches to be deployed. These restrictions only allow smaller switches with low power consumption and airflow demands to be installed. For higher density applications, recommend the N-Series TeraFrame® Network Cabinet. To configure the GlobalFrame cabinet for side-to-side airflow, select a 31.5" (800 mm) wide cabinet, use the Rail Seal Kit (P/N 25252-7XX) to seal the openings in the mounting rails on one side at the front and the opposite side at the rear and use Snap-In Filler Panels (P/Ns 34537-000, 34538-000) to cover any open rack-mount unit spaces on the front pair of equipment mounting rails. This creates a partial side-to-side cold/hot airflow pathway.

Q. Can you use a Brush Side Panel (P/N 25037-7XX) and solid side panel together on the same side of a cabinet?

A. Yes, the side panels are half height. You can mix a solid and brush side panel on one side of the cabinet. Note that cabinets can be bayed with solid side panels installed (side panel-to-side panel), but you must omit one side panel when baying cabinets with Brush Side



Panels (brush side panel-to-no side panel).

Q. Can you bay cabinets side-by-side with side panels installed?

A. Yes, Cabinets with solid side panels can be bayed side by side. When using cabinets with brush side panels, you must omit one side panel to provide clearance for the brush bezels. Note that if you are

baying cabinets spaced for 24" floor tiles, there will be an approximate .4" (10 mm) gap between cabinets. You should fill the gap with the Baying Seal Kit (P/N 25242-7XX). The Baying Seal Kit includes seal strips that cover the gap at the front and rear of the cabinets. Use one Baying Seal Kit if both cabinets have side panels. If you omit side panels on both or either cabinet, order a second Baying Seal Kit and cut it to length as required to fill the horizontal gap at the top and bottom of the cabinets.

Q. Can the cabinet be ordered without doors and a top panel?

A. Yes, the cabinet can be ordered without doors and a top panel as a standard part number. Use the CPI Product Configurator (www.chatsworth.com/configurator) for Cabinet and Enclosure Systems, GlobalFrame Cabinet System to select a GF-Series GlobalFrame cabinet without doors or a top panel.

Q. Are service parts (doors, top panel, side panels) sold separately?

A. Yes, all service parts (doors, top panel, side panels, equipment mounting rails, standard PDU brackets, caster kit, baying kit, leveling feet, and floor mounting kit) are sold separately. To order doors, top panel, side panels or equipment mounting rails, you need to know the cabinet part number or size. The cabinet part number is printed on a label located on the top frame support at the rear of the cabinet. If the label is missing or unclear, provide overall measurements for the replacement part.

Q. Do I need a special baying kit to center 23.6"W (600 mm) cabinets over 24"W (610 mm) raised access floor tiles?

A. No, each 23.6"W (600 mm) cabinet includes a baying kit. The baying kit will bay cabinets side-by-side or space cabinets approximately .4" (10 mm) apart so that they can be centered over 24"W (610 mm) raised access floor tiles. Order the Baying Seal Kit (P/N 25242-7XX) separately to cover the gap between the cabinets.

Q. When do you use a Baying Seal Kit (P/N 25242-7XX)? Does the Baying Seal Kit create a complete seal between cabinets allowing side panels to be omitted without concern for escaping hot air?

A. Use the Baying Seal Kit to cover the approximate .4" (10 mm) gap left between two bayed 23.6"W (600 mm) cabinets when centered over 24"W (610 mm) raised access floor tiles. The Baying Seal Kit only covers the gap at the front and rear of the cabinet. For the best performance, install side panels on both cabinets to prevent hot air from escaping between the cabinets. However, if you omit side panels between the cabinets, order a second Baying Seal Kit and cut the pieces as required to fill the gaps between the bottom of the bayed cabinets.



Frequently Asked Questions

GF-Series GlobalFrame® Cabinet System

Q. Are covers for the cable knockouts in the cabinet's top panel included with the cabinet?

A. Four 2.8" (71 mm) diameter round grommets are factory installed in the top panel, one per corner. Additional covers must be ordered separately. There are two types of knockouts on the top panels: 2.8" (71 mm) diameter round knockouts and 4.5"W x 9.0"D (114 mm x 228 mm) rectangular knockouts. The round knockouts are captive within the larger rectangular knockouts. Order the Cable Port Grommet Kit (P/N 35021-000) to cover the round knockouts and order the Cable Port Brush Kit (P/N 25190-001) to cover the rectangular knockouts. The standard and fan top panels have four knockouts, one per corner. The Vertical Exhaust Duct top panel has two knockouts, front corners only. Each kit includes two grommets/covers.

Q. When should you use an Airflow Director (P/N 25150-70X)?

A. Use the Airflow Director in a cabinet with a high heat load (>15 kW) that has a Vertical Exhaust Duct top panel. Airflow Director redirects horizontal exhaust airflow from servers mounted near the bottom of the cabinet towards the Vertical Exhaust Duct at the top of the cabinet. Note that a Bottom Panel (P/N 25130-7XX) is included with cabinets that have a Vertical Exhaust Duct top panel. Do not remove the Bottom Panel from the cabinet. The Airflow Director will install over the Bottom Panel.

Q. How do you create an air dam to block front/rear airflow around sides of rack-mount equipment inside the cabinet?

A. There are three ways to create an air dam inside the cabinet: with the equipment mounting rails, with the Snap-In Grommet & Plug Kit (P/N 25108-001) or with the Rail Seal Kit (P/N 25250-70X, 25252-70X).

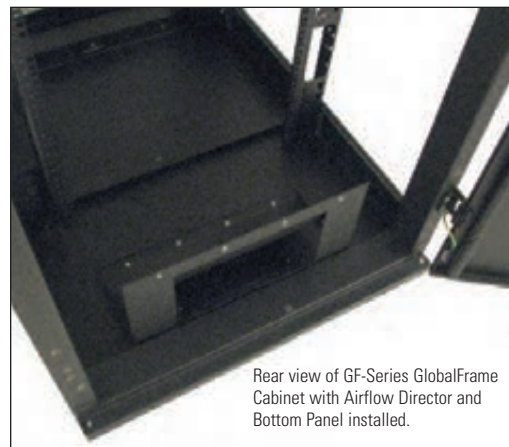
- The equipment mounting rails in the GlobalFrame Cabinet are z-shaped. If you locate the equipment mounting rails within 2" (51 mm) of maximum depth in the 23.6"W (600 mm) cabinets so that the z-shape overlaps the cabinet frame, the rails will form an air dam along the sides of the cabinet.
- The equipment mounting rails on 29.5"W (750 mm) and 31.5"W (800 mm) cabinets have seven 5.5"H x 3.25"W (140 mm x 83 mm) rectangular openings. The Snap-In Grommet & Plug Kit (P/N 25108-001) includes 14 snap-in plastic grommets and covers that seal the rectangular openings in the rails forming a partial air dam along the sides of the cabinet. Note that the holes for attaching Cable Rings will not be covered so you can use the Cable Ring Kit (P/N 25105-00X, 25106-00X) with the Snap-In Grommet & Plug Kit.
- The Rail Seal Kit (P/N 25250-70X, 25252-70X) has four half-height panels that attach to the equipment mounting rails in 29.5"W (700 mm) and 31.5"W (800 mm) cabinets and completely cover all of the openings in the rails and the small space between the rails and the cabinet's side panels. Cable Ring Kit (P/N 25105-00X, 25106-00X) cannot be used with the Rail Seal Kit, but Vertical Cable Manager (P/N 25120-70X, 25404-70X) can.

Q. What is the difference between Rail Seal Kit (P/N 25250-70X, 25252-70X) and Snap-In Grommet & Plug Kit (P/N 25108-001)?

A. Both kits are used with the 29.5"W (750 mm) and 31.5"W (800 mm) cabinets. The Rail Seal Kit (P/N 25250-70X, 25252-70X) seals all of the openings in the equipment mounting rails and the small space between the rails and the side panel. You can use Vertical Cable Manager (P/N 25120-70X, 25404-70X) with Rail Seal Kit, but not the Cable Ring Kit (P/N 25105-00X, 25106-00X). The Snap-In Grommet & Plug Kit (P/N 25108-001) only covers the large rectangular cable openings in the equipment mounting rails, not the mounting holes for the Cable Ring Kit or the small space between the equipment mounting rails and the side panels. However, you can use Cable Ring Kit (P/N 25105-00X, 25106-00X) with Snap-In Grommet & Plug Kit.

Q. When should you use a Bottom Panel (P/N 25130-7XX)?

A. The Bottom Panel (P/N 25130-7XX) is included with cabinets that have a Vertical Exhaust Duct top panel, but it can be ordered separately and added to standard GF-Series GlobalFrame Cabinets also. GlobalFrame Cabinet includes casters and leveling feet that elevate the cabinet above the floor. The bottom panel prevents airflow through the bottom of the cabinet minimizing bypass airflow and hot spots. Use it on standard cabinets to help maintain front-to-rear airflow through the cabinet.



Rear view of GF-Series GlobalFrame Cabinet with Airflow Director and Bottom Panel installed.

Q. Can the bottom panel be used as a shelf? If so, what is the load rating of the bottom panel?

A. No, the bottom panel is not load rated and should not be used as a shelf.

Q. Can the cabinet support rack-mount shelves?

A. Yes, single-sided 19"EIA rack-mount shelves and 19"EIA four-post (cabinet) shelves can be mounted in the cabinet when there is sufficient rack-mount space and depth for the shelf and the cabinet's equipment mounting rails are positioned to support the shelf.



Frequently Asked Questions

GF-Series GlobalFrame® Cabinet System

Q. Does CPI offer shelves for cabinets?

A. Yes, CPI offers several shelves for cabinets with load bearing capacities ranging from 100 lb (45.4 kg) to 300 lb (136.1 kg). The Low Profile Fixed Shelf (P/N 12573-719) is a good general purpose shelf. It is 1U, 19"EIA, with a telescoping design that extends 20"-36" deep (510-910 mm) and holds 100 lb (45.4 kg) of equipment.

Q. What is the difference between the standard PDU brackets and the full height PDU bracket?

A. The standard PDU brackets are two L-shaped brackets that attach to the cabinet frame in a fixed position and locate PDUs in the rear corner of the cabinet with outlets facing the center of the cabinet. Standard PDU brackets will support up to two 2.0"W (51 mm) or narrower CPI Vertical Power Strips or PDUs for cabinets or one 4.5"W (114 mm) PDU and require a 5.9" (150 mm) mounting rail setback. The Full Height PDU bracket attaches to the side of the cabinet frame at any location about the depth of the cabinet. Full Height PDU brackets support up to two 2.4"W (61 mm) or narrower CPI Vertical Power Strips or PDUs for cabinets or one 4.9"W (124 mm) PDU. Full Height PDU bracket is 5.2" (132 mm) wide and has tie points along the sides for securing bundled power cords with Saf-T-Grip® Straps or tie wraps. The Full Height PDU Bracket requires a minimum 7.5" (191 mm) mounting rail setback in 23.6"W (600 mm) cabinet and a minimum of 7.25" (185 mm) mounting rail setback in 29.5"W (750 mm) and 31.5"W (800 mm) cabinets to provide clearance for PDUs. The Full Height PDU Bracket must be used when PDUs are installed in cabinets that will be shipped on shock pallets.

Q. Can any tool-less PDU attach to the standard PDU brackets and the Full Height PDU Bracket?

A. No, only vertical PDUs with tool-less attachment points located 64.75" (1645) or 61.25" (1556 mm) apart will attach to the brackets. All CPI Vertical Power Strips and PDUs for cabinets will attach to the brackets. Competitor PDUs may have different tool-less attachment point spacing. Note that the Standard PDU Brackets support either 64.75" (1645 mm) or 61.25" (1556 mm) tool-less attachment points, not both, depending on where they are mounted on the cabinet frame. Full Height PDU Bracket supports both. Use Full Height PDU Bracket if you have a mix of PDUs or if you do not know the PDU's tool-less spacing requirements.

Q. When do I select shock pallet packaging?

A. Select shock pallet packaging if you want to load the cabinet with equipment in one facility and then reship the cabinet to another facility preconfigured for quicker installation. Shock pallet packaging includes a special pallet designed to support a cabinet loaded with up to 2,000 lb (907.2 kg) of equipment, a reusable cardboard carton to protect the cabinet and a wooden unloading ramp.

Q. Can you attach cable runway to the top of the GF-Series GlobalFrame cabinet?

A. Yes, the top panel is punched with attachment points for 12"W (300 mm) cable runway at the front and the rear of the cabinet. Attach cable runway to the cabinet's top panel in parallel (side-to-side) orientation using the Cable Runway Elevation Kit for cabinets (P/N 10506-712, 10506-716). Remove and match drill the top panel to attach other cable runway sizes.

Q. Why are there three load capacities listed for the GF-Series GlobalFrame cabinet?

A. The three load capacities stated for the GF-Series GlobalFrame cabinet are the static load, the rolling load and the shipping load. The 3,000 lb (1360 kg) static load is the maximum load when the cabinet is supported on leveling feet and secured to the floor. The 2,250 lb (1020 kg) rolling load is the maximum load on casters. The 2,000 lb (907.2 kg) shipping load is the maximum load of installed equipment when shipped on the shock pallet. Be sure to apply the correct load limit per your application.

Q. The load rating on casters is less than the static load rating on leveling feet. Do casters have to be removed to achieve the full static load rating?

A. No, simply extend the leveling feet to raise the cabinet so the wheels on the casters spin freely.

Q. How do you adjust the leveling feet on GF-Series GlobalFrame cabinet?

A. The leveling feet are mounted to a threshold at the base of the cabinet. They can be accessed by opening the cabinet doors and adjusted up or down from the top with a screwdriver. Alternately, you can access the feet from under the cabinet frame and adjust them up or down with a wrench when the cabinet is heavily loaded.

Q. Does the side panel latch interfere with cable management accessories?

A. The side panel latch is located at the center of the side panel and connects to the cabinet frame near the middle of the cabinet's side. Cable management accessories attach to the cabinet frame, but the side panel latch will not interfere with cable management accessories that are located near the corners of the cabinet.

Q. Are there other door styles available for the GF-Series GlobalFrame cabinet?

A. No, three door styles are available in two configurations: perforated front and double perforated rear doors on the standard cabinet to support front-to-rear airflow and perforated front and solid rear doors on the high density cabinet to support front-to-top airflow.



Frequently Asked Questions

GF-Series GlobalFrame® Cabinet System

Q. Can the top panel be removed from the cabinet?

A. Yes, the top panel is a single-piece solid panel that features tool-less removal. After removing two screws that secure the top panel during shipping, two push pins secure the top panel onto the cabinet frame.

Q. Can cables enter the bottom of the cabinet?

A. Yes, the bottom of the cabinet is open on standard cabinets. The Bottom Panel is included on high density cabinets that have the Vertical Exhaust Duct top panel. The Bottom Panel has one large brush sealed rectangular cable access port for cables.

Q. Is equipment mounting hardware (rack-mount hardware) included with the cabinet?

A. Yes, each cabinet includes 25 each M6 cage nuts and screws. Additional equipment mounting hardware (P/N 12637-001) can be ordered separately.

Q. Are leveling feet included with the cabinet?

A. Yes, the cabinet includes leveling feet. The cabinet ships with leveling feet installed on the cabinet. To replace damaged or misplaced leveling feet, order a GlobalFrame Cabinet Common Parts Kit (P/N 25240-701)

Q. Are casters included with the cabinet?

A. Yes, casters are included with the cabinet. The cabinet ships with casters installed on the cabinet. To replace damaged or misplaced casters, order a GlobalFrame Cabinet Caster Kit (P/N 25230-001). Note that overall heights listed in the product data sheet include the height of casters. The 42U cabinet is 79.3"H (2013 mm) and will fit through a standard 7'H (2.1 m) interior doorway which typically has an 83"H (2108 mm) maximum clearance.

Q. Are floor attachment brackets included with the cabinet?

A. Yes, floor attachment brackets are included with the cabinet, but floor installation hardware is not and must be ordered separately. The brackets are L-shaped and attach to the bottom of the cabinet frame at the front and rear of the cabinet. The brackets are used to secure the cabinet to the shipping pallet. Order 3/8" or M10 floor installation hardware separately to secure the brackets to the floor. To replace damaged or misplaced floor attachment brackets, order the Floor Mounting Kit (P/N 25171-001).

Q. I have questions about the assembly of components and/or installation of the cabinet?

A. The GlobalFrame Cabinet System User Manual, which includes a complete installation guide, is available for download on the CPI Website at www.chatsworth.com/globalframe.

Q. I did not find the answer to my question. Who do I contact for assistance?

A. Please contact CPI Technical Support (800-834-4969 or techsupport@chatsworth.com) for assistance.

