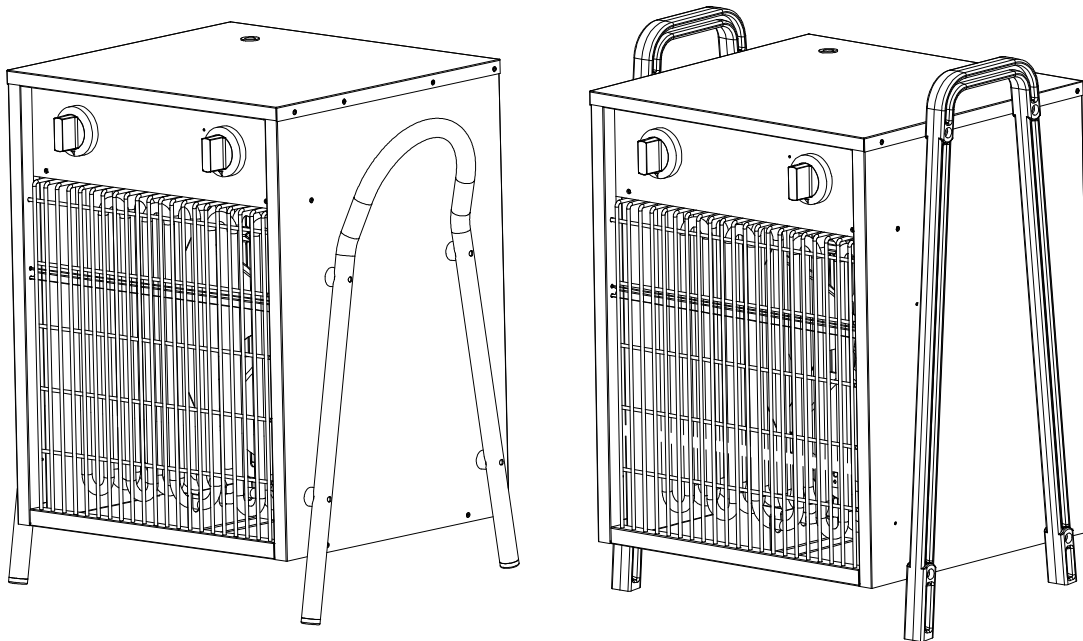


POWER TEC[®]

Industrial fan heater EL 5

User manual



Product description

Please read this instruction manual carefully before use and operate the heater properly. Keep the user manual in a safe place for later reference.

This product is an electric heater with ventilator/fan motor, can be used in household or factory. It incorporates a thermostat and a manual reset thermal cut-out. The thermostat feels the air inlet temperature and controls the room temperature, is 0-40 °C adjustable. The manual reset cut-out controls the temperature of air outlet. It will switch off the heater by overheating to ensure the safe use. The fan motor is not controlled by thermostat. When the thermostat cuts off the heating element the ventilator keeps working on.

Technical data:

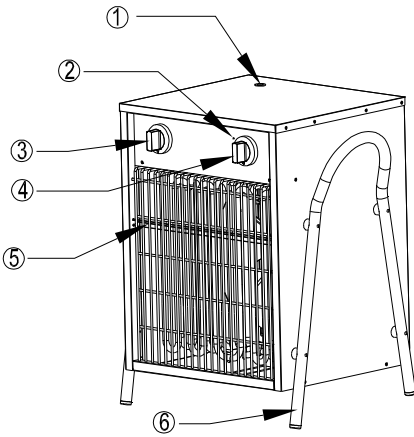
Model	Frame structure	Rated voltage /frequency	Power input	Packing Dimensions (m)	Gross weight
Power Tec EL5	Steel frame	AC400V/50Hz	5KW	0,33 x 0,33 x 0,47	6,2

Fuse: capacity must be more than 10 A

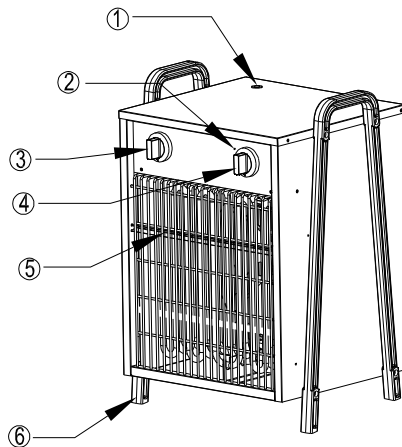
Portable appliance

Electric connection: through coupler and plug

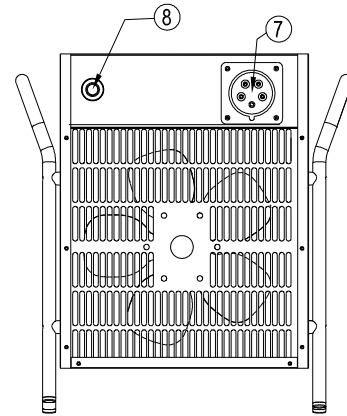
Product description and use



Steel frame

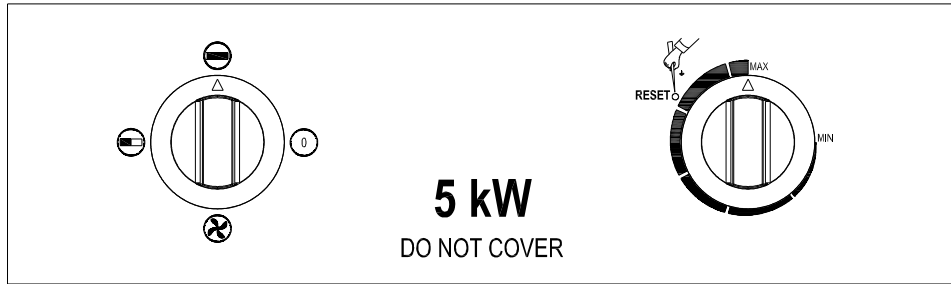


plastic frame



back view of the product

- 1) power coupler location buckle
- 2) manual resetting hole
- 3) power switch
- 4) thermostat
- 5) thermal cut-out sensor
- 6) tube frame, steel or plastic
- 7) hidden-build in five-pole plug
- 8) thermostat feeler



Control Panel

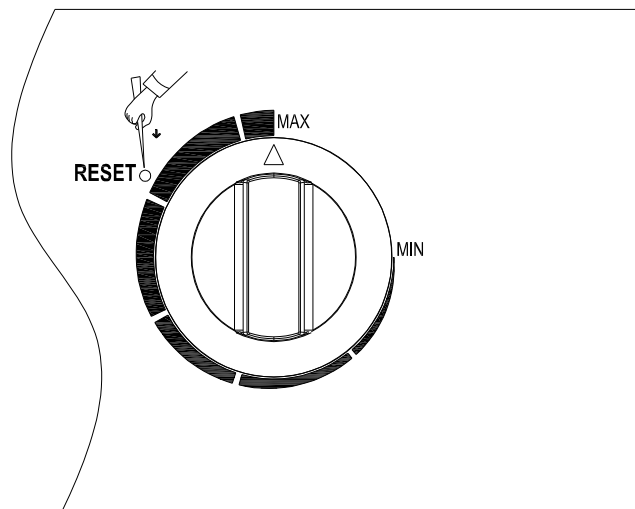
Three levels and four positions rotary switch, which can be turned from 0 to 360 degree clockwise or counter clockwise, the first level is ventilator only, the second level is 2.5KW and the third level is full power input. You can adjust the level clockwise or reverse.

0-40°C adjustable thermostat to control the room temperature - the thermostat button can be turned from 0 to 270 degree.

THERMOSTAT INSTRUCTIONS

At first turn the thermostat to “Max” and let the heater operate with full power input. When the room temperature reaches the required value, turn the thermostat to left until it switches off.

The thermostat will then switch on and off automatic to control the room temperature according to the preset value and keep the room temperature constant.



Manual reset thermal cut-out

By overheating or abnormal operation and meanwhile the thermostat fails to work, the manual resetting thermal cut-out will act and shut down the appliance. Remove the plug from the socket and let the appliance cool down, then use the provided steel pin to touch the manual resetting button. When you hear a clear click it means the electric circuit is put through, put the plug back into the socket and switch the heater on. See the

figure manual "RESET" button.

When using the heater for the first time, you may notice a slight emission of smoke. This is quite normal and it stops after a short time. The heating element is made of steel and was coated with a layer of protection oil by production. The smoke is caused by the left oil when heated.

After the use turn the thermostat to OFF position and turn the selector switch to Fan level, let the appliance cool down for two minutes. For appliances with time delay stopping function, even the power switch is off, the delay circuit may turn on the appliance if the inner temperature reached the preset function value. The delay time depends on the ambient temperature. For 20 °C ambient it is ca. 3-4 minutes. If the ambient temperature keeps being more than 27°C so the delay device can not cool down, the delay time may be very long or the delay circuit doesn't open□hereby the user can only disconnect the appliance from the power supply by pulling out the plug.

SAFETY INSTRUCTIONS:

Warning: In order to avoid overheating, do not cover the heater.

When using electrical appliances basic precautions should always be followed, including the following:

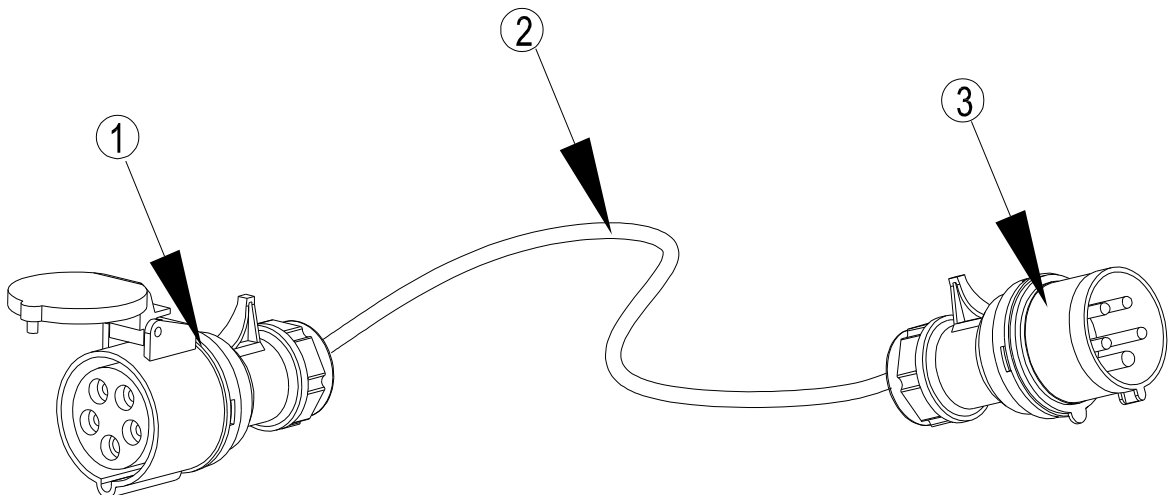
- 1) Do not connect the appliance to the mains power socket if the voltage given on the rating plate differs from the mains voltage.
- 2) Children should be supervised to ensure that they do not play with the appliance. The appliance is not intended for use by person (including children) with reduced physical, sensory or mental capabilities, or lack of experience and knowledge. If the appliance is damaged, do not use it any more.
- 3) The heating device shall not be installed below a socket-outlets.
- 4) Do not use outdoors or in humid place. Never use the heater in the bathroom, shower or near a swimming pool etc.
- 5) Do not place the appliance on moving vehicles or some where easy to be tipped over.
- 6) When you don't use the appliance for a long time, unplug the appliance. Don't leave the heater for a considerable amount of time when in use. Pull the plug straight out, never remove the plug by pulling on the cord.
- 7) Use the appliance in places with good air ventilation, do not position it near a wall or corner.
- 8) When the appliance is in use, keep it far from combustible, explosive articles or explosive, corrosive gas. Keep the heater far from curtain or places where the air inlet can easily be blocked.
- 9) It is recommended that a separate circuit serving only this appliance be provided□ keep the power cord far enough from the hot air outlet□
- 10) Do not use this heater with a programmer, timer or any other device that switches the heater on automatically,□
- 11) The power coupler is waterproof when not in use. In order to prevent possible electric shock or leakage current, never use the appliance with wet hand or operate the appliance when there is water on the power cord.
- 12) If the supply cord is damaged, it must be replaced by the manufacturer or service

agent or a similarly qualified person in order to avoid a hazard.

- 13) Do not throw the appliance in dustbin with wheels. Do not dispose of electrical appliances as unsorted municipal waste, use separate collection facilities. Contact you local government for information regarding the collection systems available. If electrical appliances are disposed of in landfills or dumps, hazardous substances can leak into the groundwater and get into the food chain, damaging your health and well-being. When replacing old appliances with new ones, the retailer is legally obligated to take back your old appliance for disposals at least free of charge.

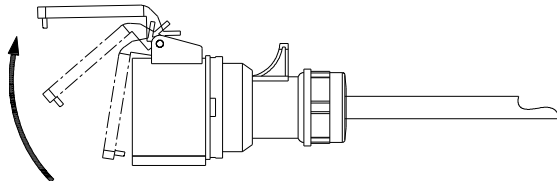


coupler & plug

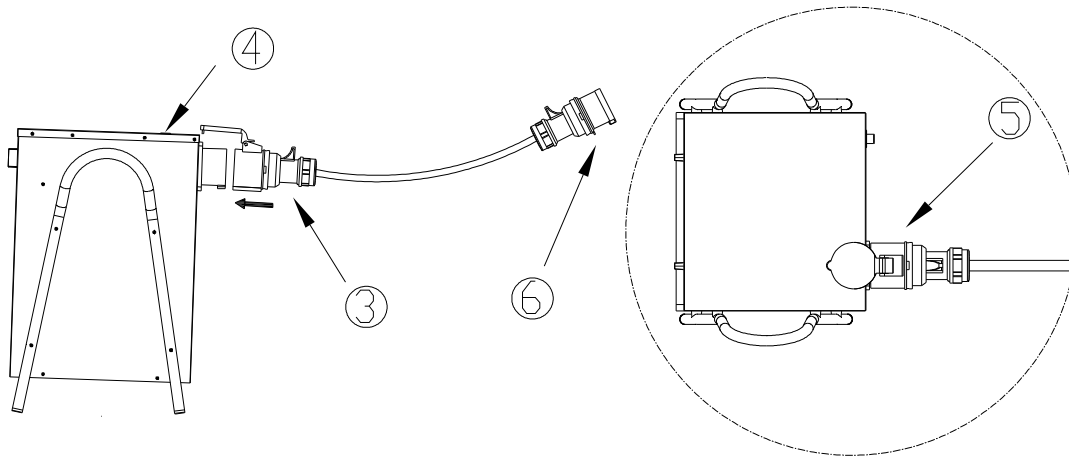


- five poles connector 380V/415V 50/60HZ 16A
- five cores power cord H07RN-F 4G1.5m
- five poles plug 380V/415V 50/60HZ 16A

1) The user should use the bought power coupler as showed in the figure. The coupler should match with the appliance plug, have a five poles plug and an inlet with earthing prolong. The five poles plug and connector should be of AC 380V/415V 50/60Hz with 16A current capacity, IP44 or higher water- and dustproof class and should be VDE approved. The type of the connection cord is H07RN-F, 4G2.5mm², VDE approved rubber cord the length of the power cord can be more than 1.8 meter but less than 3 meter, if the power cord is too long and heavy, it can cause the fall off of the coupler, electric shock risk or tripping over of child.



2) when you connect the power connector with the appliance plug, open the lid along with the arrowhead pointed direction, pay attention to the direction.



3) open the lid of the coupler, push ahead along the direction as showed by arrow in figure 3 . the position pin on the lid will fasten in the position buckle (figure 4) after the installation of the coupler it will looks as showed in the figure. Before you shut on the appliance make sure that the selector switch and the thermostat are switched off. And the arrow on selector switch and thermostat are to be in OFF position. If the switch and thermostat are not in Off position, put them to off, so that when you connect the plug with power supply, there will be no sparkle induced between the plug and the socket outlet, which can extend the work life of the plug. Then connect the plug to the power, operate the appliance. During the operation if sparkle was detected at connection part, shut down the appliance, pull put plug and connect again.

4) after use shut down the appliance firstly, pull out the plug, then put off the position pin and remove the coupler.

Cleaning and maintenance

Before cleaning the appliance, disconnect it from the socket and let it cool down.

The enclosure is easily to get dirty, wipe it often with soft sponge. For very dirty parts, wipe with a sponge dipped in < 50℃ water and mild detergent, then dry the heater enclosure with clean cloth. Be careful not to let the water enter the appliance inner.

Don't splash water onto the heater never use solvent like gasoline, isoamyl acetate, toluene etc to clean the heater, in order to protect the enclosure.

Clean the coupler, dry and pack it in a plastic bag.

When you store the heater, let it cool down first, keep it dry. Then cover it with a plastic

bag, put in the packing box and store it in a dry, ventilated place.

Trouble shooting:

You can solve many common problems easily, saving you the cost of a possible service call. Try the suggestions below to see if you can solve the problem before calling the service centre.

Problem	Possible cause	Treatment
The heater does not operate, even when it is plugged in and the switch, thermostat are switched on.	The plug is loose, bad connection	Pull out the plug, check the connection of the plug and socket. Then connect again
	No power in socket outlet	Insert the plug in a proper socket
The heat element glowing	The input voltage is too high or too low	Use power supply according to the rating on the label
	The air inlet grille is blocked	Keep the heater far away from articles like curtain, plastic bag, paper and other things which can cover the inlet or can be easily absorbed on the air inlet.
The appliance didn't heat up, only ventilator worked	The switch was not put at heating level	Turn the switch to heating level
	The thermostat operated	Turn the thermostat and listen if there is open/ close voice. If there is no click and the thermostat is not damaged, the heater will automatic switch on when the appliance cooled down.
	The manual reset cut-out operated.	Disconnect the power, held the 2 <input type="checkbox"/> stick and insert it in the manual reset hole on the control panel, press down the reset button and connect the circuit
Abnormal noise	The appliance is not level	Put the heater on a level surface
The switch delay time is very long, or the power can not be cut off	The ambient temperature is high	Use the appliance under 25°C ambient. When the room temperature is higher than 25°C and the delay time is too long, or delay circuit doesn't switch off the appliance, pull out the plug