

# CST Extractors

Manual for Installation, Use and Maintenance

|C|D|A|



## Important

The CDA Group Ltd cannot be held responsible for injuries or losses caused by incorrect use or installation of this product. Please note that CDA reserve the right to invalidate the guarantee supplied with this product following incorrect installation or misuse of the appliance or use in a commercial environment.

This appliance is not designed to be used by people (including children) with reduced physical, sensorial or mental capacity, or who lack experience or knowledge about it, unless they have had supervision or instructions on how to use the appliance by someone who is responsible for their safety.

Under no circumstances should any external covers be removed for servicing or maintenance except by suitably qualified personnel.

### Appliance information:

Please enter the details on the appliance rating plate below for reference, to assist CDA Customer Care in the event of a fault with your appliance and to register your appliance for guarantee purposes.

Appliance Model	<input type="text"/>
-----------------	----------------------

Serial Number	<input type="text"/>
---------------	----------------------

### CE Declarations of Conformity:

This appliance has been manufactured to the strictest standards and complies with all applicable legislation, including Gas safety, Electrical safety (LVD) and Electromagnetic interference compatibility (EMC).

### IMPORTANT INFORMATION FOR CORRECT DISPOSAL OF THE PRODUCT IN ACCORDANCE WITH EC DIRECTIVE 2002/96/EC.

At the end of its working life, the product must be taken to a special local authority waste collection centre or to a dealer providing appliance recycling services.

Disposing of a household appliance separately avoids possible negative consequences for the environment and health. It also enables the constituent materials to be recovered, saving both energy and resources. As a reminder of the need to dispose of household appliances separately, the product is marked with a crossed-out wheeled dustbin.

### Please note:

- Under no circumstances should the extractor be connected to any gas ventilation system, flue system or hot air ducting system.
- Do not vent the extractor into an attic or loft space.
- Only house the extractor in rooms with adequate ventilation. Remember that the extractor is powerful and whatever air is extracted needs to be replaced.
- Do not tile the extractor in. It should be removable for service or maintenance.
- Do not use silicone sealant to secure the hood to the wall.
- You must be able to isolate the extractor from the mains electrical supply after installation.
- This extractor has been designed to be used in a room with a volume of less than 36 m<sup>3</sup>.
- Steam cleaners must not be used when cleaning this appliance.
- The performance of your extractor will vary depending on a number of factors. These include: type of extraction, length of ducting, room volume, ventilation available and cleanliness of the filters.

## Using your Extractor

For best performance, you should switch on the extractor 15 minutes before starting to cook and leave it to run for approximately 15 minutes after the end of cooking.

### Control Panel

A – Light switch

B – Power indicator

C – Power switch

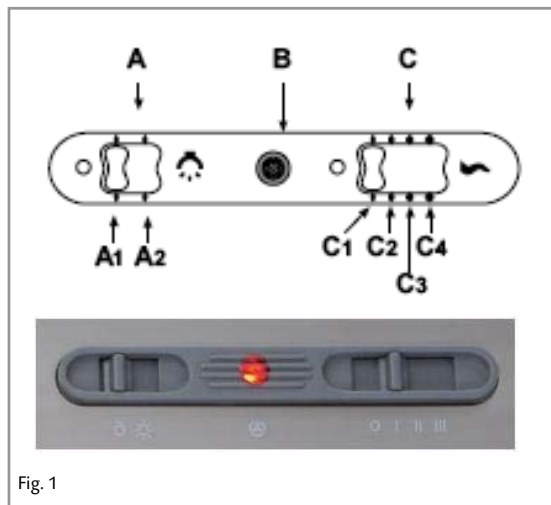


Fig. 1

### To switch the extractor light on or off

- Slide the light switch to position A1 for off, or A2 for on.

### To switch on the extractor , or change the motor speed

- Slide the power switch to the position required dependent on the speed you require.

### To change the speed at any time when the extractor is running

- Press the relevant D button for the speed level required.

### To switch the extractor off

- Slide the power switch to position C1 for off.

## Care and Maintenance

**IMPORTANT : DO NOT PERFORM MAINTENANCE OR CLEANING OF THE EXTRACTOR WITHOUT FIRST SWITCHING OFF THE ELECTRICITY SUPPLY.**

### Cleaning

You should use a nonabrasive cleaner. Any abrasive cleaner (including Cif) will scratch the surface and could erase the control panel markings.

You can clean your extractor effectively by simply using a dilute solution of water and mild detergent and drying to a shine with a clean cloth, for example the CDA E-Cloth.

### Cleaning the grease filter

The grease filter should be kept clean to minimise the risk of fire.

At least once a month you should remove and clean the grease filter with hot soapy water. You can also wash the grease filter in a dishwasher, ensuring that you place it in an upright position to prevent damage from other items in the dishwasher. After rinsing and drying, replace the filter.

To remove the grease filter, first open the base of the extractor by sliding the clips across. Then remove the retaining clips as shown in figure X before removing the grease filter itself. To replace the grease filter, repeat the steps in reverse.

### Please note:

Cleaning the filter in the dishwasher may lead to discoloration. This is normal and does not constitute a fault with the appliance.

### Changing the charcoal filter (re-circulating only)

To ensure best performance of your extractor, you should replace the charcoal filters every four to six months, depending on use. To attach a new charcoal filter, first open the base of the extractor as described above. Then offer up the charcoal filter (shown as C in fig X to the base of the motor and turn it clockwise until it locks into place.

## Changing the Light

**DO NOT CHANGE THE LIGHT BULB IMMEDIATELY AFTER USE AS THE BULB WILL BE HOT. ALLOW IT TO COOL BEFORE REMOVING IT.**

Open the base of the extractor as described above, unscrew the light bulb and replace the light with the required light bulb as shown in the table below. Finally, replace the grease filter.

<b>CST</b>	40W max candle bulb SES (screw type)
------------	--------------------------------------

Table 1

Do not touch bulbs or adjacent areas during or straight after prolonged use of the lights.

The light is designed for use during cooking and not for general room illumination. Extended use of the light can reduce the life span of the bulb.

Bulb replacement is not covered by the guarantee.

Only use bulbs recommended for your extractor. Do not fit bulbs of a higher power rating. Bulbs of a lower power rating may be adequate for use, generally last longer and use less energy.

Spare bulbs are available from CDA Customer Care or from your local DIY shop.

## Mains Electricity Connection

**THIS APPLIANCE MUST BE CONNECTED TO THE MAINS SUPPLY BY A COMPETENT PERSON, USING FIXED WIRING VIA A DOUBLE POLE SWITCHED FUSED SPUR OUTLET AND PROTECTED BY A 3A FUSE.**

We recommend that the appliance is connected by a qualified electrician, who is a member of the N.I.C.E.I.C. and who will comply with the I.E.E. and local regulations.

The wires in the mains lead of this appliance are coloured in accordance with the following code:

**BLUE = NEUTRAL, BROWN = LIVE.**

As the colours of the wires in the mains lead for the appliance may not correspond with the coloured markings identifying the terminals connecting to the fused spur, proceed as follows:

- The wire which is coloured blue must be connected to the terminal marked N (Neutral), or coloured black.
- The wire which is coloured brown must be connected to the terminal marked L (Live), or coloured red.

### **NOTE: USE A 3A FUSE**

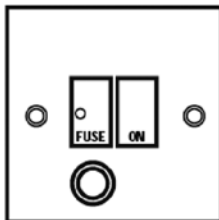
Assembly and electrical connection should be carried out by competent personnel. When installing this product we recommend you seek the help of another individual.

**IMPORTANT: THIS APPLIANCE IS A CLASS II APPLIANCE (DOUBLE INSULATED) AND IS NOT INTENDED TO BE EARTHED. DO NOT FIT AN EARTH LEAD TO THIS EXTRACTOR.**

Do not mount the isolation switch behind the chimney section. It is a requirement that you must be able to isolate the extractor from the mains electrical supply after installation.

This appliance is intended to be connected to the mains electrical supply by means of an isolation switch and fused spur and is intended to be protected by a 3A fuse. The use of a 13A fuse can cause damage to the internal wiring in the event of a fault, and may also invalidate the warranty.

DOUBLE POLE SWITCHED  
FUSED SPUR OUTLET



USE A 3 AMP FUSE



## Electrical Information

Mains electrical voltage: 230 – 240Vac.

Total rated power consumption: 165W.

## Troubleshooting

### **Please note:**

Your extractor is equipped with a motor protection device that will switch off the motor to prevent damage from overheating. This may happen during cooking when most or all of the zones/burners are being used simultaneously.

This is normal, and the extractor will work again once the motor has cooled sufficiently.

### **Please note:**

- Your extractor is equipped with a motor protection device that will switch off the motor to prevent damage from overheating. This may happen during cooking when most or all of the zones/burners are being used simultaneously. This is normal, and the extractor will work again once the motor has cooled sufficiently.

### **If your extractor is not working:**

1. Check that the mains supply has not been switched off.
2. Check that the fuse in the spur has not blown.

### **Contact CDA Customer Care**

A : Customer Care Department, The CDA Group Ltd, Harby Road, Langar, Nottinghamshire, NG13 9HY

T : 01949 862 012 F : 01949 862 003 E : [service@cda.eu](mailto:service@cda.eu) W : [www.cda.eu](http://www.cda.eu)

## Installation

When the extractor is to be installed above an electric hob, the minimum distance between the hob and extractor must exceed 600mm (650mm is recommended).

When the extractor is to be installed above a gas hob, the minimum distance between the hob and extractor must exceed 700mm (750mm is recommended).

If the instructions provided with your gas hob state that the required distance between the hob and extractor must be greater than 700mm, then that is the distance that should be observed; this is a legal requirement and may lead to your hob being disconnected from the gas supply and the installation being reported to RIDDOR (The height should be measured from the top of the burners).

**IN THE ABSENCE OF ANY INSTRUCTIONS SUPPLIED WITH THE GAS HOB, THE MINIMUM DISTANCE BETWEEN THE HOB AND EXTRACTOR MUST BE AT LEAST 760mm.**

The width of any hob must not be greater than the width of the extractor installed above it.

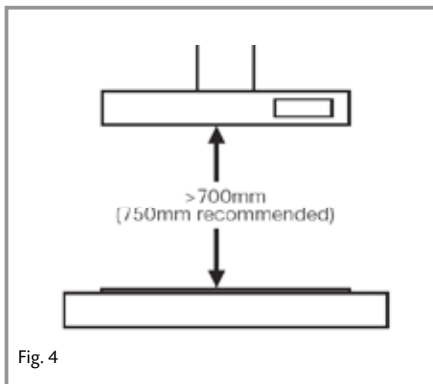


Fig. 4



## Mounting your Extractor

### The extractor can be mounted in one of two ways:

To fasten the product to the underside of a bridging cabinet remove the grease filter cover and screw the hood directly to the cabinet using appropriate wood screws (Not supplied).

### To mount the hood on to a wall, proceed as follows:

1. Drill four holes as shown in the diagram below, corresponding to positions B and Z on the diagram. Note that the size of the holes dependant on the wall fixings you will be using.
2. Insert the wall fixings into the hole (B) and tighten the fixing screw, leaving about 2 to 3mm proud of the wall. Insert wall fixings in to the position Z for use later.
3. Hang the hood on the fixing screws and secure the hood in position using two screws fixed to the wall fixings in position Z.

## Ducting and Ventilation

For best performance and lowest noise output, we recommend the use of 125mm ducting. You can also use 100mm ducting but this will impair performance.

If the extractor is to be used in recirculation mode, ensure that the lever on the base of the motor is turned from ducted to re-circulating mode, as shown in Fig 2

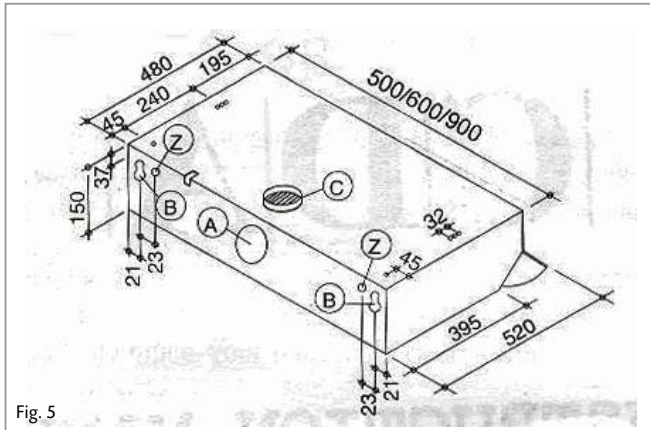


Fig. 5



To contact our Customer Care Department, or for Service,  
please contact us on the details below.