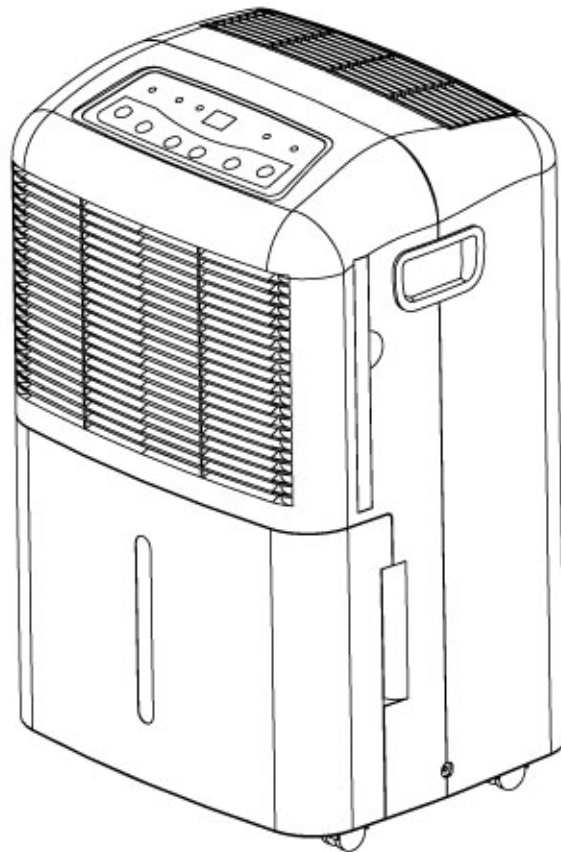




DEHUMIDIFIER

MODELS: SD-30E / SD-40E / SD-60E



INSTRUCTION MANUAL

Please read these instructions thoroughly and keep it in a safe place for future reference.

CONTENTS

FUNCTIONS.....	2
SAFETY NOTES	2
NAME OF PARTS	3
CONTROL PANEL	3
TECHNICAL SPECIFICATIONS	4
INSTALLATION	4
OPERATING INSTRUCTIONS	5
OPERATION.....	5
MAINTENANCE	6
TROUBLE SHOOTING.....	8
YOUR GUARANTEE	9

BEFORE YOU USE YOUR **DEHUMIDIFIER**, PLEASE READ THIS INSTRUCTION MANUAL CAREFULLY.

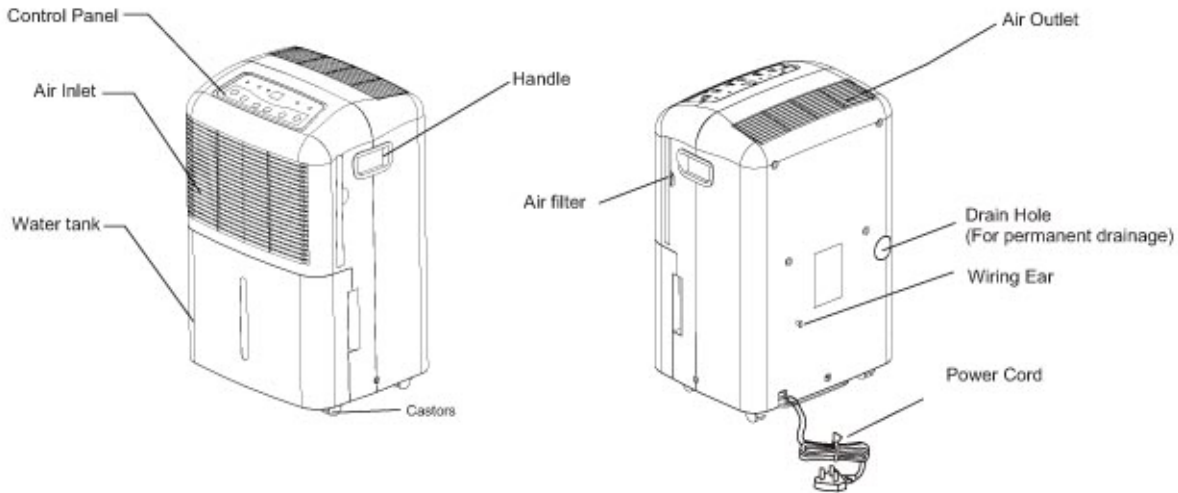
FUNCTIONS

1. Prevents mold growth on clothing, cupboards, doors and drawers.
2. Prevents condensation on ceiling, walls and windows.
3. Dehumidifying is effective on moisture sensitive items like musical instruments, cameras, computers, etc.
4. Removes dampness from bookshelves and closets.

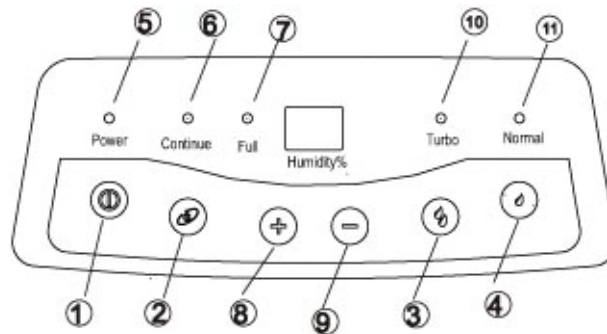
SAFETY NOTES

1. Do not connect unit to any damaged AC electrical socket.
2. Ensure removable covers and containers are correctly fitted before switching on unit.
3. Always switch unit off when not in use and before unplugging.
4. Do not use in the following locations:
 - Next to or near a heat source (radiator, heater, dryer, etc.)
 - Area where oil or water is likely to splash.
 - Under direct sunlight.
 - Near a bath, shower or swimming pool.
 - In a greenhouse.
5. Never insert your finger or other foreign objects into grills or openings. Take special care to warn children of these dangers.
6. Allow unit to stand upright for at least 24 hours before initial operation and after moving or tilting the unit. Store the unit upright to maintain the compressor in proper working condition.
7. Always unplug the unit before cleaning and maintenance.
8. Do not cover the unit and its air inlets/outlets.
9. Do not spray insecticides or any other flammable sprays on the machine.
10. Do not spray water on the unit.
11. There are no user serviceable parts. Should the unit or supply cord become damaged, contact the manufacturer immediately.
12. Empty the water tank before moving the dehumidifier.
13. This unit is equipped with auto-defrosting, which operates when the evaporator generates frost. This function ensures continuous operation when the temperature is down to 41°F.

NAME OF PARTS



CONTROL PANEL



1. **POWER Button:** Press once to turn unit ON, unit will begin operating in dehumidifying mode at original factory setting (60%RH). Press again to turn unit OFF.
2. **CONTINUOUS Button:** When unit is in operation, press this button to set CONTINUOUS DEHUMIDIFYING mode.
3. **TURBO Button:** Press this button to set unit in high fan speed.
4. **NORMAL Button:** Press this button to set unit in low fan speed.
5. **POWER Indicator:** Will flash slowly when power is connected at the socket (initial power). Indicator lights up when unit is turned ON and dark if unit is OFF.
6. **CONTINUOUS Indicator:** Lights up when CONTINUOUS DEHUMIDIFYING mode is selected.
7. **FULL Indicator:** Lights up when bucket is full, unit will stop operating.
8. **HUMITIDY + Button:** Press this button to increase the humidity setting. Range of adjustment is from 35% ~ 80% RH.
9. **HUMIDITY - Button:** Press this button to decrease the humidity setting. Range of adjustment is from 80% ~ 35% RH.
10. **TURBO Indicator:** Lights up when TURBO button is pressed, unit will run in high fan speed.
11. **NORMAL Indicator:** Lights up when NORMAL button is pressed, unit will run in low fan speed.

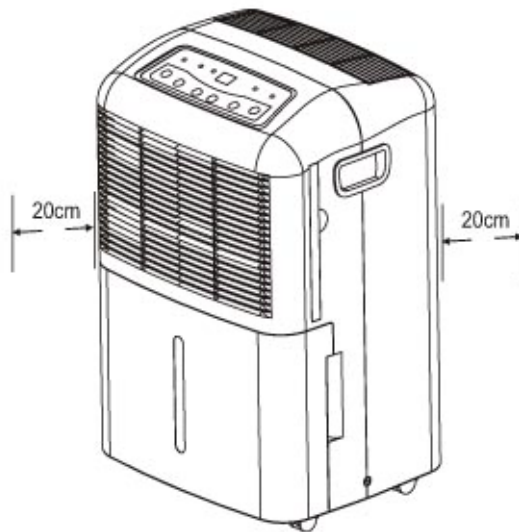
TECHNICAL SPECIFICATIONS

MODEL	SD-30E	SD-40E	SD-60E
Dehumidifying Capacity	30 pints per day	40 pints per day	60 pints per day
Power Supply	115V / 60Hz		
Current	4.5A	52.A	6.8A
Power Consumption	490W	560W	780W
Working Environment	5 ~ 32°C / 41 ~ 89°F		13 ~ 35°C / 55 ~ 95°F
	25% RH and above		
Water Tank Volume	5 liters / 11 pints		10 liters / 21 pints
Net Weight	32lbs	33lbs	55lbs
Dimension	13.4 L x 10 W x 19.9 H in.		13.4 L x 10 W x 19.88 H in.

** Capacity will vary according to actual room ambient temperature and humidity conditions.

INSTALLATION

Place the dehumidifier on a flat surface and in a location where the air inlets and outlets will not be obstructed. Do not install underneath desks or inside cupboards, as this will restrict the airflow. Keep unit at least 40 inches away from televisions and radios as the unit may disrupt the image or sound. Maintain a minimum clearance of 20cm (7.5 in.) to the front and rear of unit.



OPERATING INSTRUCTIONS

Operating Conditions:

- This unit is designed to operate with a working environment between 41 ~ 90°F.
- If the unit has been switched off, please wait 3 minutes before switching on again. If switched on immediately, allow 3 minutes for unit to resume correct operation.
- Do not connect unit to a multiple socket outlet with other electrical appliances.
- Select a suitable location, with easy access to an electrical outlet.
- Plug the unit into an 115V~ 60Hz electrical socket with earth connection.
- Make sure the water tank is correctly fitted or unit will not operate.

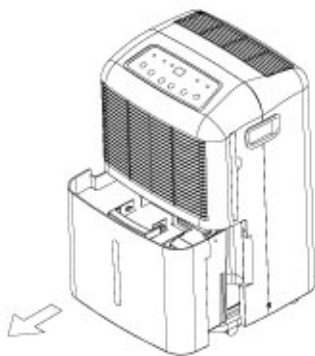
Turning the unit ON or OFF:

1. Plug the cord to a proper power requirement. The unit's computer system will have a self-check. If normal, POWER indicator will flash at 0.5Hz. Press the POWER button to start operation. Unit will begin to operate at 60% humidity setting, press + or – to change humidity setting.
2. Press **CONTINUOUS** button to run in continuous dehumidifying mode. In continuous mode, + or – buttons are disabled.
3. Press POWER button again to turn off unit. You do not need to unplug the cord except when unit will not be used for a long period of time.

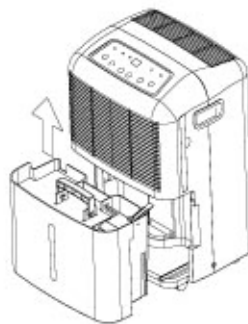
OPERATION

Water Tank:

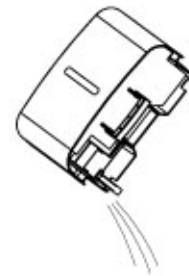
- When water tank is full, unit will stop operating and FULL indicator light will flash.
- Never remove the water tank while unit is in operation.
- Grip the left and right handles securely and carefully pull straight out. Do not place tank on the floor, as the bottom of the tank is not even and will tilt. Empty the water and gently push the tank all the way in. Ensure the tank is correctly positioned.
- The unit will re-start when the tank is restored in its correct position.



1. Pull out the bucket a little.



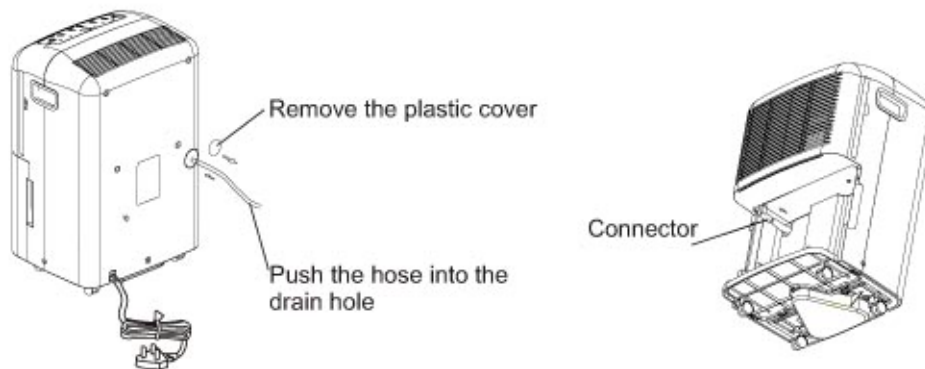
2. Hold the two sides of the bucket with even strength, and pull it out from the unit.



3. Pour the water out.

Continuous Drainage:

- Remove the plastic cover located at the rear of the unit.
- Push the drain hose into the drain hole (see image below)
- Remove the water tank and securely attach the drain hose to the connector (see image below)
- The hose should be smooth and without bends or kinks.
- Place the end of the hose to a suitable drainage facility.



MAINTENANCE

Important!

- Be sure to unplug the unit before cleaning.
- Do not use petrol, thinners or other chemical agents to clean the unit as this may damage the unit.
- Do not wash the unit directly under water. The electrical components inside may be damaged and cause the unit to become unsafe.

Air Filter

Clean the air filter at least once every two weeks to prevent impaired performance.

- Pull the air filter out as shown in Fig. A.
- Wash the air filter with clean water and allow dry completely.
- Replace cleaned filter as shown in Fig. C.

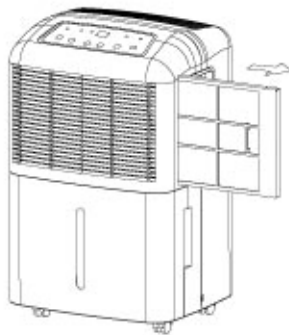


Fig. A



Fig. B

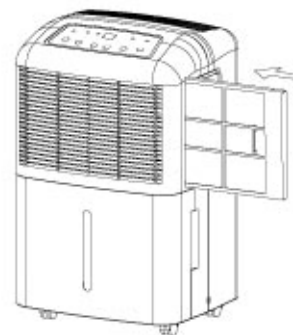


Fig. C

Housing

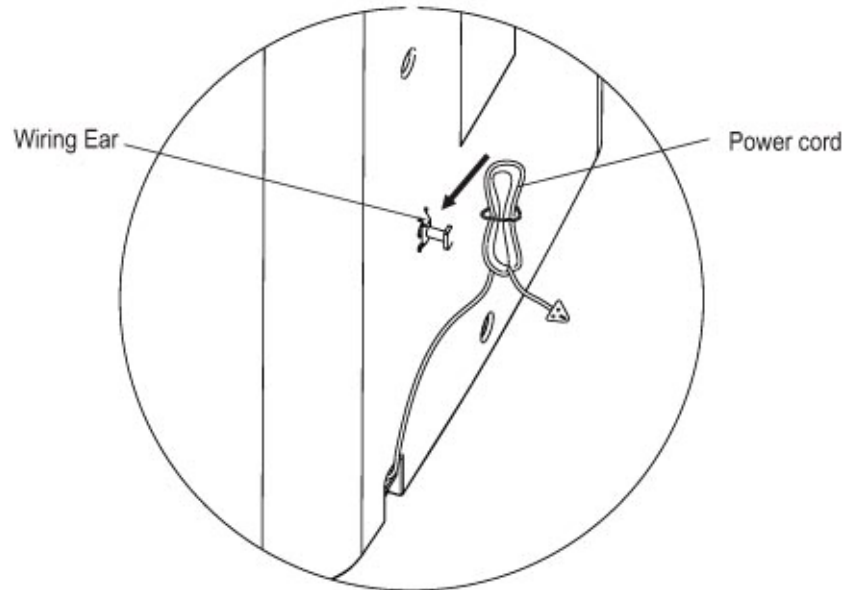
Use a soft, clean cloth to wipe the surface. Do not use water as this may cause an electrical fault or shock hazard.

Water Tank

Wash the tank using warm water and neutral detergent. Rinse and allow dry, replace when dry.

Power Cord

Wrap the cord and bundle it with a band.



TROUBLE SHOOTING

BEFORE CONTACTING THE MANUFACTURER, PLEASE CHECK THE FOLLOWING POSSIBILITIES.

PROBLEM	POSSIBLE CAUSE	SOLUTION
Unit fails to operate	<ul style="list-style-type: none"> • Power is OFF • Power cord is unplugged • Water tank not fitted correctly • Water tank is full • Defrosting 	<ul style="list-style-type: none"> • Switch power ON • Restore power cord • Re-position water tank • Empty water tank • After defrosting, unit will dehumidify again
Performance decreased	<ul style="list-style-type: none"> • Blocked air filter • Room windows and doors are open • Obstacles in air outlet or inlet 	<ul style="list-style-type: none"> • Wash nylon filter • Close windows and doors • Remove obstacles
Unit is noisy	<ul style="list-style-type: none"> • Unstable setting of unit • Blocked filter 	<ul style="list-style-type: none"> • Reposition unit • Wash nylon filter

The following displays indicate an error or problem:

Display code	Problem	What to do
P1	Defrosting starts	Unit will automatically restart after defrosting
P2	Water tank is full	Empty the tank
E1	Humidity sensor is off or short-circuit	Turn off unit and contact Sunpentown.
E2	Temperature sensor is off or short-circuit	Turn off unit and contact Sunpentown.

If you still cannot solve the problem after trying the above, unplug unit and contact Sunpentown Int'l Inc.



Your Guarantee

If this product is found to be faulty as a result of faulty materials or workmanship within one year from date of purchase, it will be repaired free of charge.

This guarantee is subject to the following terms:

- Sunpentown must be notified of the fault.
- Proof of purchase must be presented to Sunpentown's nominated representative.
- The warranty will be void if the product is modified, misused or repaired by an unauthorized person.
- The warranty after repair will not be extended beyond the original one-year period.
- All replacement parts will be new or reconditioned.
- Parts, which are replaced, become the property of Sunpentown.
- The warranty applies for the use of the product in the USA only.

What is NOT COVERED:

- Warranty does not include freight charges.
- Incidental or consequential damage caused by possible defects with this product.
- Damage to product caused by improper power supply voltage, accident, fire, floods or acts of nature.
- Failure of product resulting from unauthorized modifications to the product.
- Improper installation or failure to perform the necessary maintenance.

This GUARANTEE is in addition to your Statutory Rights

SUNPENTOWN INTERNATIONAL INC.
21415 Baker Parkway, City of Industry, CA 91789-5236
909-468-5288 Fax:909-468-5279
service@sunpentown.com
www.sunpentown.com