

# User Manual

## DA 428

completely digital 4-channel amplifier





### 3. The completely digital 4-channel DSP-amplifier

The DA 428 is a completely digital 4-channel amplifier with 700 W @ 4 ohm output power on each channel. This compact, light-weight 19"-2U device is equipped with comprehensive DSP features like matrix router, 6 fully parametric equalizers, two crossover networks, delay and dynamic processor per channel. All parameters as well as user navigation can be managed using a simple 5-key navigation pad together with 4 rotary encoders. The sophisticated user interface is completed by a graphic LCD display and 4 RGB LED's informing about relevant operation parameters and state of the single channels.

Factory and user presets may of course be stored inside the unit, an SD-card reader is implemented and can be used to easily transfer preset and system information to other units. An preset editor software and various firmware add-ons are available as well.

On the inputs side are 4 analogue connections as well as 2 digital ports accepting AES/EBU and SPDIF formats of 16 to 24 bit and 32 to 192 kHz sampling frequency. 4 link sockets, either carrying the signal applied to the inputs can be routed as "processed" digital outputs carrying AES/EBU of 24 bit / 48 kHz. The designers also implemented a module slot for future updates, i.e. connections to audio / control networks, standard-fitted with module RSNC equipped with a RS232 connector and a 'normally closed' contact feature. Global remote control is guaranteed using future firmware upgrade modules, but even the standard version contains simple remote features. Another important feature is the PFC controlled, audio-optimised wide-range switched-mode power supply of the last generation.

The outside power connection was realised using a self-locking Neutrik PowerCon connector, 4 Neutrik Speakon sockets (channel A + B are wired 'bi-amp') ensure the connection to the speaker systems. An extensive set of protective circuits and digital monitoring components is included "rounding off" the professional features of this equipment. The DA 428 is usable for stage monitor operation to system operation of passive PA components or realisation of professional multi-channel systems within sound installations.

### 4. The delivery status

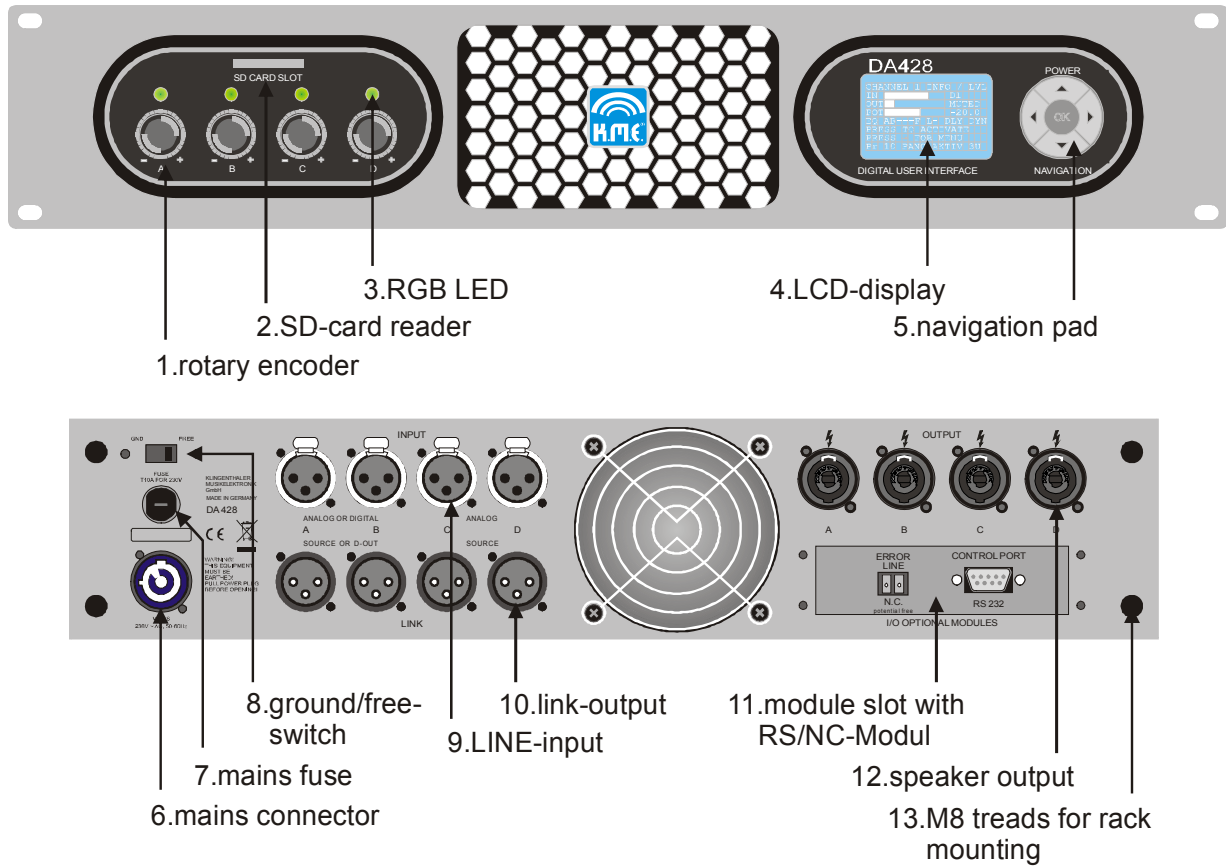
The scope of delivery includes: 1x DA 428, 1x PowerCon-mains cable, 1x rack-mounting set, 4x rubber base and user manual

When you power up the DA 428 for the very first time the following default parameters in the main menu are pre-set:

- „Preset 1“ is loaded
- Sig. LED threshold is adjusted to -50 dB
- User LED threshold is adjusted to 0 dB (0 dB = deactivated)
- output levels are shown on the LCD display
- input A and B are switched to analogue
- a password is not entered

**This User Manual corresponds to the software version V1.01 r35.  
It is obvious in the menu item „Diagnostics“!**

## 5. The control- and connection panel



## Operation

**1. rotary encoder with fast turn detection** - You can adjust the volume level of each channel independently. If there is no menu item activated, a short pressing of an encoder effects the status display of this channel. By pressing the encoder a bit longer, you are muting this channel. To unmute the channel, press the encoder again for a short time. After unmuting, the volume level will be set on the level before muted the channel.

All encoders are used for choosing and setting of menu items resp. values, too.

**2. SD-card reader** - Is the interface to save and load presets from the card. Firmware updates are also possible with this SD-card reader. You can also transfer user presets by SD-card to copy it between in a number of devices. The programmed format is FAT16 which is used on computers to read and write it.

**3. RGB LED** - Signalized different parameters (per channel):

LED off	- there is no input signal or the device is not on
LED green	- there is an input signal which is higher than the threshold
LED blue	- the adjusted user threshold value is exceeded
LED yellow	- max. input level, the limiter is working
LED red	- there is a malfunction, you have to power cycle the DA 428
LED cyan	- channel is muted
LED white	- encoder will be used for entering of adjustable parameters
LED magenta	- signalized external access (is not used in this version)

**4. LCD display** - Is used as operation mode display of the DA 428. The arrows in the LCD display show the directions to navigate through the submenus (see navigation structure). All software parameters must be set on the unit itself. Press the 'OK' button to select a parameter. To change a value in the submenus please use the four arrow keys or the encoders if you are asked by the unit.

**5. navigation-pad** - Here you can switch on / off the DA 428 and navigate through the menu. The navigation pad is to be used for accessing and changing parameters on the display of the hardware unit. Press the OK button if you are asked by the software (see navigation structure).

## Power

**6. mains connector** - PowerCon in (blue), **Attention:** use mains voltage of 90 - 250 V AC / 50 - 60 Hz.

**7. mains fuse** - Replace fuse only by type 10 AT slow blowing fuse 5x20 mm.

**8. ground/free switch** - Disconnects the ground of the input channels from chassis to avoid ground loops.

## Inputs / Outputs

**9. LINE input** - 4x XLR sym., inputs A + B can be switched separately between analogue or digital (see navigation structure).

**10. Link-output** - 4x XLR sym., outputs A + B can be switched between analogue or digital (see navigation structure). The link output of channel A + B can be routed as "processed" digital outputs carrying AES/EBU of 24 bit / 48 kHz. All link sockets are only active when the DA 428 is powered on.

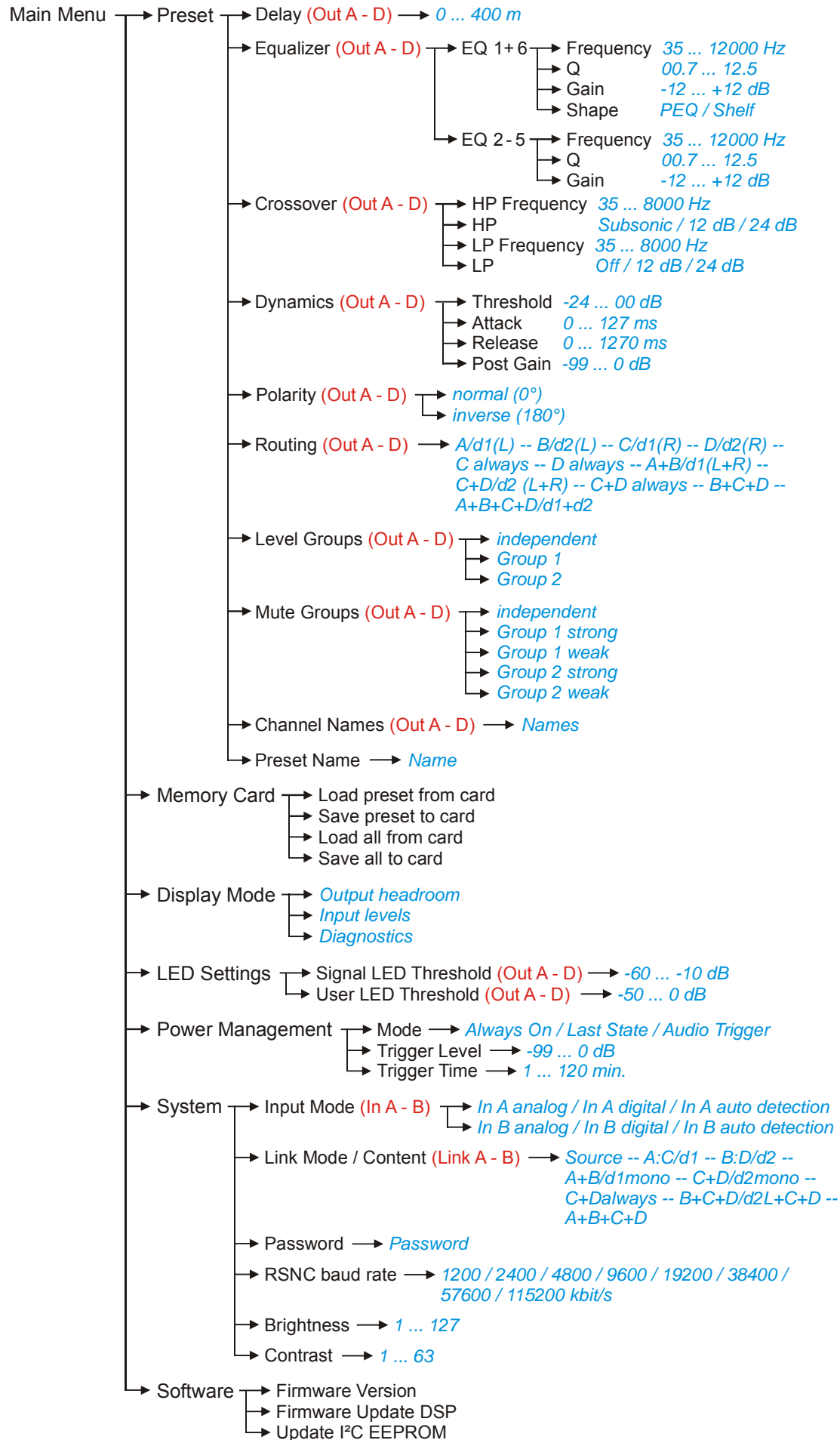
**11. module slot with RS/NC module** - Equipped with a RS232 connector and a 'normally closed' contact feature.

**12. speaker output** - 4x Speakon NL 4 (4x 700 W @ 4 ohms (min. impedance)), output power depends on preset. **Attention:** Please mind nominal load and impedance of the passive loudspeaker(s) you connect. The *speaker outputs* A + B are interconnected with the outputs C + D for bi-amp mode (*output A:* A=1+/1- + C=2+/2- and *output B:* B=1+/1- + D=2+/2-).

**13. M8 treads for rack mounting** - 4x M8 treads for 19" rack mounting



## 7. Navigation structure on the hardware unit



## 8. Operation

All these software parameters can be set directly on the hardware device or with an optional software on the computer (transferring the presets by SD card). The names of the menu items refer to the user navigation on the device.

### The menu items

- **Preset:**

**Delay** [*adjust delay from 0 – 400m for each channel, in 1 cm steps*]

**Equalizer 1+6** [*adjust equalizer per channel*]

**Frequency**

**Q** (bandwidth)

**Gain**

**Shape**

**Parametric / Shelf** [*fully parametrical EQ or Shelf-function*]

With this digital filter you can affect the frequency range by making adjustments of filter frequency (center frequency), the gain (boost resp. cut) and the Q-factor (bandwidth). If you adjust the sensitivity (gain) to 0 dB you deactivate this filter. If you choose the type "Low Shelf or High Shelf" the bandwidth is not activated (you can enter a value for the Q-factor but it is ignored)!

You can use the equalizer 1 as a fully parametrical equalizer or as „Low Shelf“and the equalizer 6 also as fully parametrical equalizer or as „High Shelf“.

**Equalizer 2- 5** [*adjust equalizer per channel*]

**Frequency**

**Q** (bandwidth)

**Gain**

With this digital filter you can affect the frequency range by making adjustments of filter frequency (center frequency), the gain (boost resp. cut) and the Q-factor (bandwidth). If you adjust the sensitivity (gain) to 0 dB you deactivate this filter.

**Crossover** (high pass- / low pass filter) [*crossover function per channel*]

**HP Frequency**

**Type** (subsonic-filter 12 dB Q=1,2 or 12 dB/octave or 24 dB/octave)

**LP Frequency**

**Type** (off or 12 dB/octave or 24 dB/octave)

These digital filters (crossover) limit the frequency range. The high pass filter can not be deactivated. When you need a full-range audio signal on the output you have to set the frequency to 35 Hz and choose a type of the high pass filter.

**Dynamics** [*adjust dynamics per channel*]

**Threshold**

**Attack**

**Release**

**Post Gain**

This dynamic processor is working when the audio signal exceeds the entered threshold-value. The two time constants attack and release time draw the speed of the gain regulation mechanism and are dependent to the program material. With the post gain you can adjust your audio signal level.

**Polarity** [*adjust output phase for each channel; choose between 0° or 180°*]

**Routing** [*routing possibilities for each channel*]

**A/d1(L), B/d2(L), C/d1(R), D/d2(R), C always, D always,**

**A+B/d1(L+R), C+D/d2(L+R), C+D always, B+C+D, A+B+C+D/d1+d2**

The routing of the DA 428 offers comprehensive possibilities for controlling the audio signal. You will find detailed information in the table on page 11.



## Level Groups

**Independent** *[volume is independently adjustable]*

**Group1** *[volume is dependently adjustable of an other channel]*

**Group2** *[see Group 1]*

With this function you are able to mute your channel(s) separately or dependently of one or more channels. For example you can set the channel A and B as group 1 (using a mono signal for the subs) and the channel C and D as group 2 (using a stereo signal for the top units). While using this settings you can change the volume for the subwoofer or for the top units by using only one encoder of each group. For using this function you have to link the single channel(s) to the group 1 or group 2. If there is a volume difference in the pre-setting between the single channels (at the time of the linking), the difference still exists in the group. Both groups are identically functional.

## Mute Groups

**Independent** *[mute the channel independently]*

**Group1 strong** *[can mute other channels, too]*

**Group1 weak** *[can be muted by an other channel and can be muted independently]*

**Group2 strong** *[see Group1 strong]*

**Group2 weak** *[see Group1 weak]*

Here you can mute all single channels separately resp. in dependence of one or more channels. For example you can select channel A as master (=Group1 strong) and channel B as slave (=Group1 weak). After this settings you can mute channel A and channel B is muted automatically, too. If you want to mute only channel B you can do it, because it is independently switchable.

**Channel Names** *[enter a name for each channel, max. 9 digits]*

**Preset Name** *[enter preset name, max. 12 digits]*

## • Memory Card:

**Load Preset from card**

**Save preset to card**

**Load all from card** *[not as yet available in this version]*

**Save all to card** *[not as yet available in this version]*

In the internal preset memory of the DA 428 you can save 12 presets. On an additional SD-card you can save or load / copy one preset or all presets from the amplifier to the SD-card or the other way round. Therefore you have to choose one of the menu items and with the aid of the navigation pad and the rotary encoder A you can select your preset(s) and confirm with the OK-button (if necessary a data file name has to be entered). You can leave the menu by pressing the left arrow key.

## • Display Mode:

**Output headroom** *[headroom display]*

**Input levels** *[input level display]*

**Diagnostics** *[operation display]*

You can choose between three layouts of the LCD display. The first one shows the headroom of all 4 amplifier modules. The second one gives an overview about input level (with 0 dB level). The third one informs you about the temperature of the amplifier module and the PSU (PowerSupplyUnit) as well as the actual mains voltage of DA 428.

## • LED Settings:

**Signal LED Threshold** *[adjustable per channel]*

**User LED Threshold** *[adjustable per channel]*

Here you can set the threshold value where the LED starts to light green when the set value is reached by the audio signal. It is only an optical notice.

Here you can set the threshold value where the LED starts to light blue when the set value is reached by the audio signal. This function allows you to set an optical limit for the volume level for your audience, e.g. -6 dB – you know your pre-set value is reached.

- **Power Management:**

- Mode: Always On** [after apply power supply connection the DA 428 is switched on]

- Last State** [DA 428 starts in the last state of operating]

- Audio Trigger** [depending on the input level the DA 428 switched automatically on or off]

- Trigger Level** [enter threshold value for Trigger Time – valid for all channels]

- Trigger Time** [adjust remaining On-time]

In this menu item you can pre-set the operating status of the DA 428:

If you choose „Always On“, the DA 428 is always on. That means after apply power supply connection the unit is automatically on and ready to play (the “lock function” can be active!).

If you choose „Last State“- mode, the DA 428 will always start in the last state of operating after power cycle the unit.

To reduce the power consumption e.g. in installations you can choose the „Audio Trigger“-mode. In this mode you can set a threshold value and a time value where the system automatically switched off when the threshold is not exceeded with an audio signal. After the pre-set time the unit is switched off. If the pre-set threshold value is exceeded during the unit is still on, the time value counts again - that means this function is a posttrigger-function. You can switch on the unit again by pressing the OK-button or playing an audio signal which has a higher input level as the pre-set threshold value. Trigger source for the pre-set time value is every channel.

- **System:**

- Input Mode** [only for channel A + B]

- In A analog, In A digital**

- In B analog, In B digital**

- In A auto detection**

- In B auto detection**

Here you can switch the input A resp. the input B to „analogue“ or „digital“ or „In A / B auto detection“. By doing this, you have the possibility to apply an analogue and / or digital audio signal on input A / B. If you are choosing the menu item „In A / B auto detection“ the DA 428 detect automatically the input signal. That means you do not have to switch the input manually to digital or analogue. On input C + D you can only operate with an analogue audio signal. You will find more information on page 14.

- Link Mode / Content** [only for link A + B]

- Source, A:C/d1, B:D/d2, A+B/d1 mono, C+D/d2 mono, C+D always,**

- B+C+D/d2L+C+D, A+B+C+D**

The link mode of the DA 428 offers comprehensive possibilities for controlling the audio signal to analogue or digital systems. You will find detailed information in the table on page 12.

- Password**

In this menu item you can enter a max. 8-digit password. If you have entered a password and activate the “lock function” you have to enter the password again to unlock the unit. You will find detailed information on page 15.

- RSNC baud rate** [adjustment of communication parameter of the serial interface]

- Brightness** [adjust brightness of the LCD graphic display]

- Contrast** [adjust contrast of the LCD graphic display]

- **Software:**

- Firmware Version**

- Firmware Update DSP**

- Update i<sup>2</sup>C EEPROM**

## 9. Routing of input channels

Here you can set the routing for each input channel. This process depends on the input signal (analogue or digital). That means, if you have chosen the input mode „digital“ (corresponds only for channel A + B, because this input channels can operate with a digital audio signal, too; see page 14), the routing possibilities will be automatically switched to digital (see table).

In the following table you will find all adjustable configurations (per channel), which can be chosen.

Input signal			Display shows:
<i>analogue</i>	<i>or</i>	<i>digital</i>	
A	<i>or</i>	d1(L)	A/d1(L)
B	<i>or</i>	d2(L)	B/d2(L)
C	<i>or</i>	d1(R)	C/d1(R)
D	<i>or</i>	d2(R)	D/d2(R)
C always (always analogue)			C always
D always (always analogue)			D always
A+B	<i>or</i>	d1(L+R)	A+B/d1(L+R)
C+D	<i>or</i>	d2(L+R)	C+D/d2(L+R)
C+D always (always analogue)			C+D always
B+C+D (always analogue)			B+C+D
A+B+C+D	<i>or</i>	d1+d2	A+B+C+D/d1+d2

### **Example 1:**

You will drive an actively channelled PA system with your DA 428 (the stereo input signal is analogue and the subwoofers are driven mono). Please plug in the left input signal to input A and the right input signal to input B of DA 428.

Adjust the „input mode“ for channel A and B to „analogue“ (see page 14). After this, please select the following routing:

- Out C = A/d1(L)                      – left top unit
- Out D = B/d2(L)                      – right top unit
- Out A = A+B/d1(L+R)                – subwoofer (mono signal: sum A+B = -6dB)
- Out B = A+B/d1(L+R)                – subwoofer (mono signal: sum A+B = -6dB)

### **Example 2:**

You will drive a passively channelled PA system with two separately driven monitor systems (passive) with your DA 428. The input signal for the PA is digital and the monitor systems are driven with two separately analogue input signals. Please plug in the digital input signal to input A of DA 428 and the monitor signals to input C + D.

Adjust the „input mode“ for channel A to „digital“ (see page 14). After this, please select the following routing:

- Out A = A/d1(L)                      – left channel
- Out B = C/d1(R)                      – right channel
- Out C = C always                      – monitor system 1
- Out D = D always                      – monitor system 2

## 10. Link mode / content of link channels

Here you can define, which audio signal is on the link A + B (adjustable for each channel). If you choose the menu item „source“ the input signal is also on the link socket available, that means input signal = output signal (independent if there is an analogue or digital input signal). If you *do not* choose the menu item „source“, you will get always a digital link signal on the link socket (all link-possibilities for channel A + B are listed below).

The link of channel C + D can always reproduce the input signal of these channels (always analogue), that means input signal = output signal.

Digital link-signal			Display shows:
A and C (digital stereo out - of A+C)	or	d1	A:C/d1
B and D (digital stereo out - of B+D)	or	d2	B:D/d2
A+B (digital mono out - sum. of A+B)	or	d1 mono	A+B/d1 mono
C+D (digital mono out - sum. of C+D)	or	d2 mono	C+D/d2 mono
C+D always (digital stereo out - of C+D)			C+D always
B+C+D (digital mono out - sum. of B+C+D)	or	d2L+C+D	B+C+D/d2L+C+D
A+B+C+D (digital mono out - sum. of A+B+C+D)			A+B+C+D

### Example 1:

You will drive an actively or a passively channelled PA system with your DA 428 (the stereo input signal is analogue and the subwoofers are driven mono). Please plug in the left input signal to input A and the right input signal to input B of DA 428.

On input C + D you will connect the analogue stereo-signal of group 1+2 from the mixing desk e.g. for a digital recorder.

After adjusting the „input mode“ (see page 11), please set the following „link mode“ for link A:

link A = C+D always – works as AD-converter (analogue-stereo in, digital-stereo out)

### Example 2:

You will drive 12 passively channelled PANO Line Array elements with two DA 428 (the stereo input signal is analogue). Additionally you need a center-cluster because your audience area is very width. This center-cluster consists also of 4 PANO Line Array elements. Please plug in the left input signal to input A and the right input signal to input B of the first DA 428. Now you have to route output A – output C of the first DA 428 to „A/d1(L)“ = left audio signal for the left 6 elements (connect always two together). Out D you have to rout to „A+B/d1(L+R)“ = sum. Of channel A+B. With this signal you can drive the both upper elements of the center-cluster.

After this, please set the following „link mode“ for link A + B of the first DA 428:

Link A = A+B/d1 mono – the left + right analogue audio signal will be sum. and digitalized link A (analogue-stereo in, digital mono out);  
for both lower elements of the center-cluster of the second DA 428 on output D

Link B = source – the right audio signal will be linked (analogue in, analogue out);  
for the right 6 elements of the second DA 428 on output A - output C

## 11. Specifications

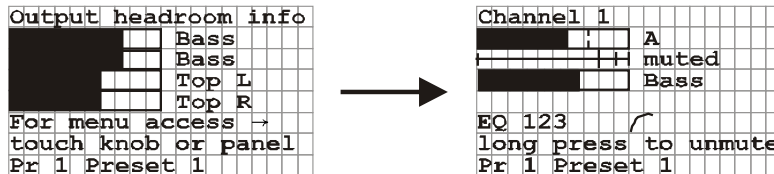
	<b>DA 428</b>
<i>Electronic:</i>	
Output power @ 4 / 8 Ohm	4 x 700 W / 400 W
Amplifier	four fully digital amplifiers with high efficiency, about 90 %
Frequency range	20 Hz - 20 kHz
S/N-ratio (A-weighted / unweighted)	100 / 95 dB (analogue signal)
Input sensitivity	analogue: 0 dB (775 mV) / digital: -12dBFS
Crosstalk @ 1 kHz	> 90 dB
Damping factor @ 1 kHz	> 500
Voltage gain @ 4 / 8 Ohm	36 dB
THD @ 1 kHz	< 0,1 %
Slew rate, V / $\mu$ s internal	>70
Slew time $\mu$ s / V internal	< 1,5
Features	per channel: adjustable gain, digital crossovers, subsonic-filter, 6 fully parametric EQ`s, dynamic processor, polarity (180°), delay (0 - 400 m), mute-function, matrix-router
Protective circuits	for single channels: short circuit, DC on output, impedance undercut for the whole device: under-/ over voltage, temperature, overload
Power consumption	2500 W
Power requirements	90 - 250 Volt / 50 - 60 Hz, PowerCon In
Operation modes	stereo, mono, 4-channel mode (free routable)
Control panel	Navigation pad, 4 rotary encoders, 4 RGB LEDs, LCD- display, SD-card reader
Connectors	line-in 4 x XLR sym., link-out 4 x XLR sym. (max. 4 x analogue or 2 x digital & 2 x analogue); speaker output 4 x Speakon NL 4; RSNC-module
<i>Processor:</i>	
DSP	24 bit, 48 MHz clock
Unit delay	< 1,5 ms
Sampling	24 bit
Digital input & link	AES/EBU / S/PDIF with format / sample rate converter (max. 192 KHz)
Preset memory	internal: 12 presets, additional presets on SD card
Dimensions in mm (W x H x D)	483 x 88 x 375
Weight	8,5 kg

## 12. The most important menu functions

In this part of the user manual you will find a structured digest about the procedure for the necessary settings in the main menu and its functions. If you pay attention to that a riskless use of the DA 428 is ensured.

### 12.1 The „mute”- function

This function enables to mute separately every single channel of DA 428 with just one touch of a button.



Press for 1 second the encoder A / B / C or D to mute the channel. A repeated pressing of the particular encoder causes the deactivation of the „mute“-function (see display).

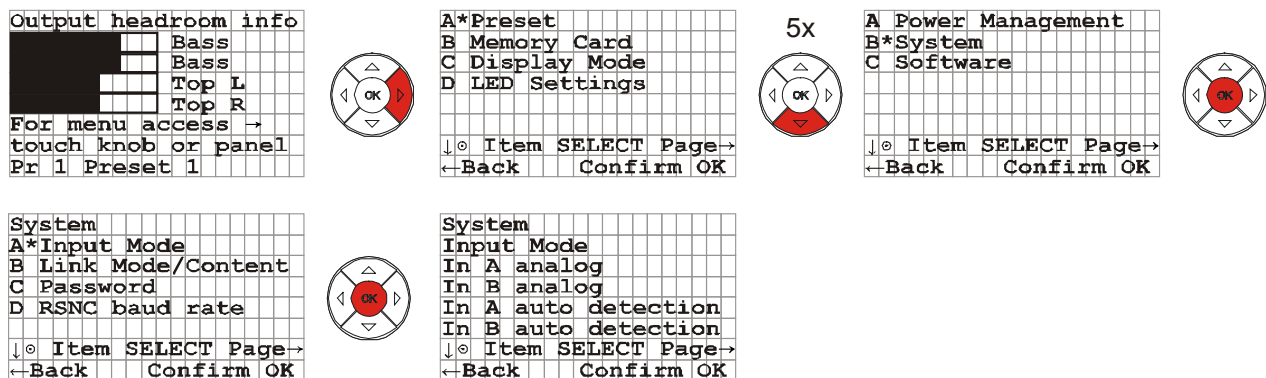
If the „mute“- function was activated (before switching off the DA 428), the „mute“- function is after switching on the DA 428 again still activated.

If you are pressing an encoder for a short time during the „mute“- function is activated, you will see the state of the particular channel (it effects also when the „mute“- function is not activated). You can also generate “mute groups” (see page 9).

### 12.2 Switching input A and / or B between “analog” or “digital” or „auto detection”

The DA 428 offers the opportunity to plug in four analogue audio signals or two analogue and two digital audio signals. If you want to use a digital audio signal you have to switch the input A or / and input B to „digital” (see page 10). In the delivery status input A and input B are switched to „analogue”. That means the DA 428 can be driven by four analogue input signals.

Further you can select the menu item „auto detection” for an automatical detection of the input signal of channel A or / and B.



Press the marked arrow keys of the navigation-pad one after another (like shown in the scheme), to switch the input to „analogue” or „digital” or “auto detection” (by the help of the encoder). After the correct selection of the input, press the OK-button and leave the menu with the left arrow key.

## 12.3 Entering password

To lock the DA 428 *with* a password (max. 8 digits) you have to enter it first. This password can be changed or erased every time.

**Note!** Keep in mind resp. note down the entered password because if you want to „unlock“ your DA 428 you have to enter the password again (see „lock“-function). Should you have forgotten the password, you have no possibility to re-activate the DA 428. Please contact the K.M.E. support! Should the entered password had been cleared, e.g. after a rental, you have to assume a manipulation. Follow now the instructions to activate the menu point!

```
Output headroom info
[redacted] Bass
[redacted] Bass
[redacted] Top L
[redacted] Top R
For menu access →
touch knob or panel
Pr 1 Preset 1
```



```
A*Preset
B Memory Card
C Display Mode
D LED Settings

↓⊙ Item SELECT Page →
←Back Confirm OK
```



```
A Power Management
B*System
C Software

↓⊙ Item SELECT Page →
←Back Confirm OK
```



```
System
A*Input Mode
B Link Mode/Content
C Password
D RSNC baud rate

↓⊙ Item SELECT Page →
←Back Confirm OK
```



```
System
A Input Mode
B Link Mode/Content
C*Password
D RSNC baud rate

↓⊙ Item SELECT Page →
←Back Confirm OK
```



```
System
Password

Use encoders to set
←Back Save OK
```

Press the marked arrow keys of the navigation pad one after another (like shown in the scheme) to open the sub menu „password“. Now you can enter your password with the help of encoder A and confirm with OK. You can leave the menu by pressing the left arrow key.

## 12.4 The „lock“ - function

To lock your DA 428 (with or without password) please do the following instructions: Set all required parameters (also the encoders = volume control) and press, like shown in the graphics, the OK-button for 2 seconds and your system is locked (now your unit is ready for a rental, for example). After pressing the OK-button you have to disconnect the mains plug to switch off the unit. When you connect the mains plug again the „lock-function“ is re-activated. That means you can not change any settings while the „lock-function“ is activated. To deactivate the „lock-function“ you have to press the OK button again for 2 seconds and, if entered before, enter your password by the help of encoder A and confirm with OK.

```
Output headroom info
[redacted] Bass
[redacted] Bass
[redacted] Top L
[redacted] Top R
For menu access →
touch knob or panel
Pr 1 Preset 1
```

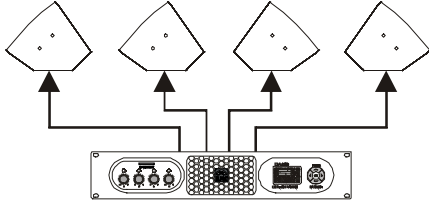


```
Output headroom info
[redacted] Bass
[redacted] Bass
[redacted] Top L
[redacted] Top R
Unit locked
Unlock:long press OK
Pr 1 Preset 1
```

### 13. System operation and extension

This overview shows you examples of using, combination and extension of passive PA components within using DA 428 as heart and control center, to adapt your reinforcement optimally to your audience.

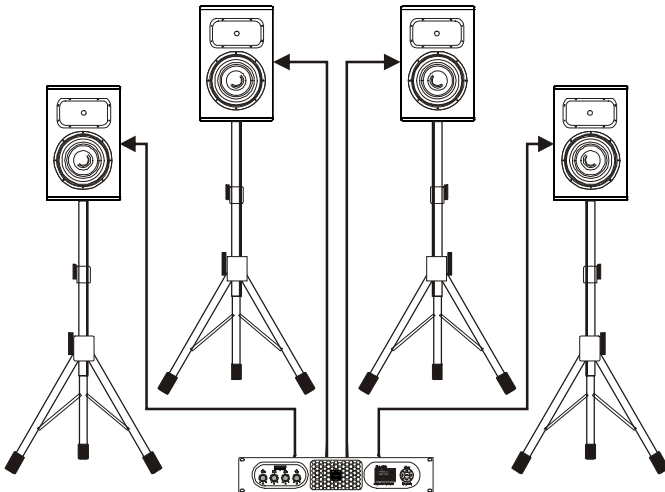
#### Monitor-mode



four independent and free routable channel for monitoring – 4x passive monitors (min. 700 W / 4 Ohm) or 8x passive monitors (min. 350 W / 8 Ohm)

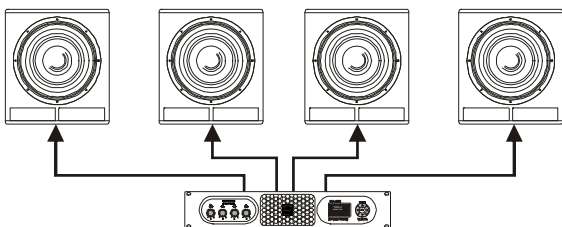
#### System-mode

example 1:



four independent and free routable channel (e.g. full-range or top units) – 4x passive top units (min. 700 W / 4 Ohm) or 8x passive top units (min. 350 W / 8 Ohm)

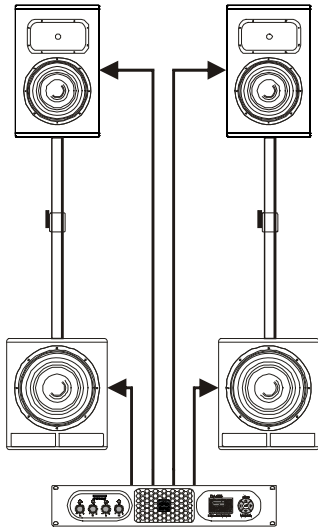
example 2:



four independent and free routable channel (e.g. bass-array) – 4x passive subwoofers (min. 700 W / 4 Ohm) or 8x passive subwoofers (min. 350 W / 8 Ohm)

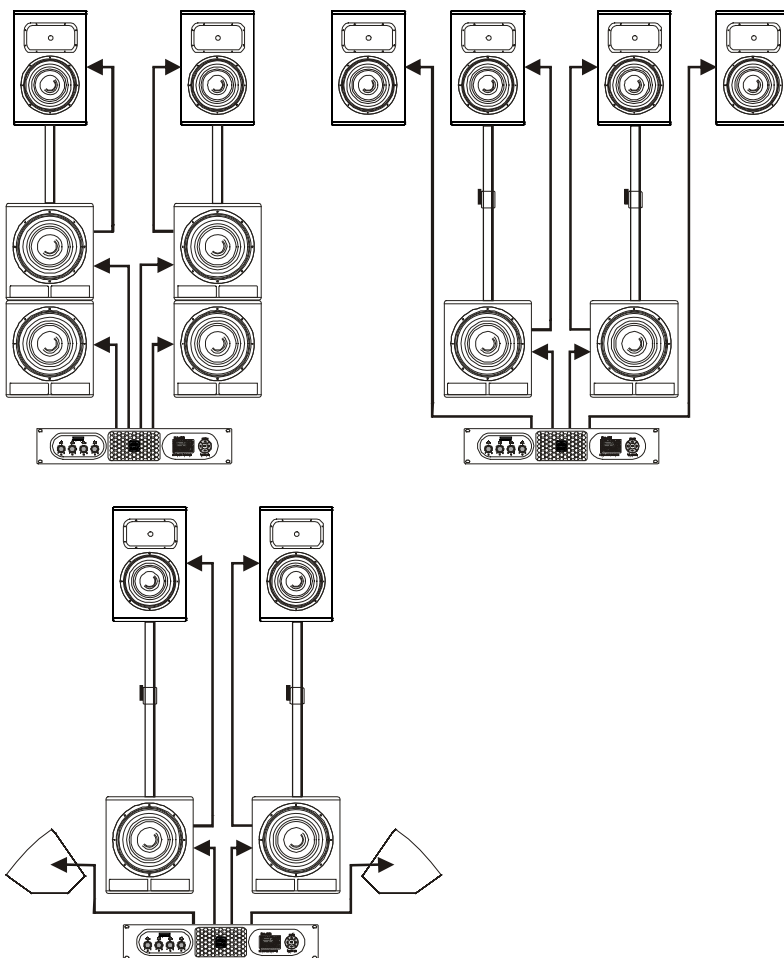


example 3:



actively channelled PA system – 2x or 4x top units (min. 350 W / 8 Ohm) + 2x subwoofers (min. 700 W / 4 Ohm) or 4x subwoofers (min. 400 W / 8 Ohm)

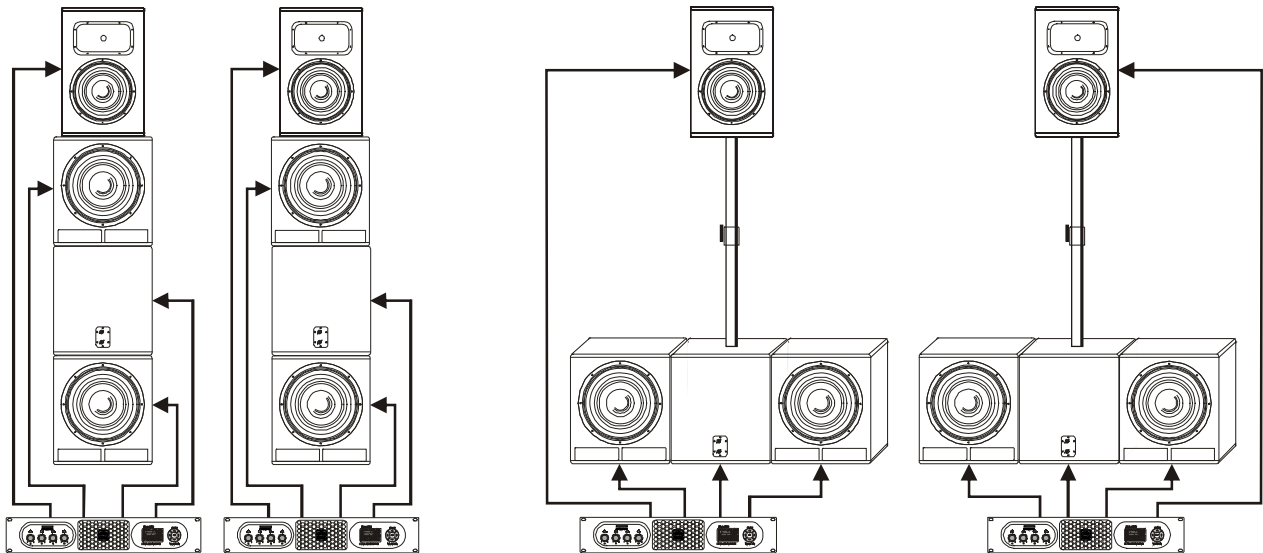
example 4:



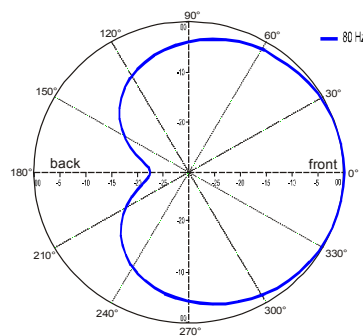
free configurable, passively and actively channelled PA systems with bass extension (left drawing) or top extension (mid drawing) or monitor extension (lower drawing)

**Attention:** Please mind nominal load and impedance of the passive loudspeaker(s) you connect. For more information please contact your K.M.E. -dealer or the K.M.E. -support.

example 5:



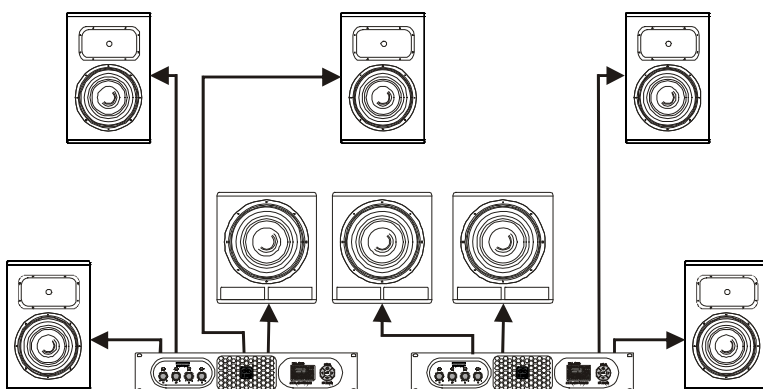
directional dispersion of the subwoofers with an appropriate factory preset:



free configurable, actively channelled PA systems with directional (cardioid) dispersion in the low frequency range (lower drawing)

**Attention:** Please mind nominal load and impedance of the passive loudspeaker(s) you connect. For more information please contact your K.M.E. -dealer or the K.M.E. -support.

Multi-channel mode



Bass management system for smaller surround systems (5.1. extendable), e.g. for cinemas and multi-media installations.

**Attention:** Please mind nominal load and impedance of the passive loudspeaker(s) you connect. For more information please contact your K.M.E. -dealer or the K.M.E. -support.

## EC declaration of conformity

This is to certify that the following products

Article	Product	Group
1-220-002	<b>DA 428</b> fully digital, DSP functionality	multi-channel amplifier
1-220-004	<b>DA 230</b> fully digital, DSP functionality	multi-channel amplifier
1-610-005	<b>PANO PCU</b> professional connection unit	19 " Accessories
1-610-004	<b>PANO NV 32</b> mains supply unit	19 " Accessories
1-915-010	<b>TCP/IP Remote network module</b>	network module for digital amplifiers

comply with the provisions of the Directive of the Council of the European Communities on the approximation of laws of the Member States relating to electromagnetic compatibility (EMC Directive 89/336/EEC).

This declaration of conformity of the European Communities is the result of an examination carried out by the Quality Assurance Department of Klingenthaler Musikelektronik GmbH in accordance with European Standards:

VDE	0839-6-1:2007-10	DIN EN 61000-6-1
VDE	0839-6-3 Berichtigung 1:2012-11	DIN EN 61000-6-3
VDE	0839-2 Berichtigung 1:2011-06	DIN EN 61000-3-2
VDE	0838-3:2009-06	DIN EN 61000-3-3
VDE	0860:2011-10	DIN EN 60065
VDE	0875-103-1:2010-07	DIN EN 55103-1
VDE	0875-103-2:2010-70	DIN EN 55103-2

This declaration is given by

**Klingenthaler Musikelektronik GmbH**  
Auerbacher Straße 268  
D-08248 Klingenthal

Klingenthal, July 2013

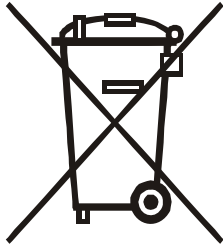


**Klingenthaler Musikelektronik GmbH**  
Auerbacher Straße 268  
08248 Klingenthal, Germany  
Phone: +49 (0) 37467 558-0

Kerst Glaß  
Managing Director



Klingenthaler  
Musikelektronik GmbH  
Auerbacher Straße 268  
08248 Klingenthal Germany  
phone +49(0)37467 558-0  
www.kme-sound.com



#### Deutsch Entsorgung von Altgeräten

1. Wenn dieses Symbol eines durchgestrichenen Abfalleimers auf einem Produkt angebracht ist, unterliegt dieses Produkt der europäischen Richtlinie 2002/96/EC.
2. Alle Elektronik-Altgeräte müssen getrennt vom Hausmüll über dafür staatlich vorgesehene Stellen entsorgt werden.
3. Mit der ordnungsgemäßen Entsorgung des alten Gerätes vermeiden Sie Umweltschäden und eine Gefährdung der persönlichen Gesundheit.
4. Weitere Informationen zur Entsorgung des alten Gerätes erhalten Sie bei der Stadtverwaltung, beim Entsorgungsamt oder in dem Geschäft, wo Sie das

#### English Disposal of your old appliance

1. When this crossed-out wheeled bin symbol is attached to a product it means the product is covered by the European Directive 2002/96/EC.
2. All electrical and electronic products should be disposed of a separately from the municipal waste stream via designated collection facilities appointed by the government of the local authorities.
3. The correct disposal of your old appliance will help prevent potential negative consequences for the environment and human health.
4. For more detailed information about disposal of your old appliance, please contact your city office, waste disposal service or shop where you purchased the product.

WEEE-Reg.-Nr. DE 84296747



Klingenthaler Musikelektronik GmbH  
Auerbacher Straße 268  
08248 Klingenthal  
Germany  
phone +49 (0) 37467-558-0  
fax +49 (0) 37467-558-33  
service@kme-sound.com  
www.kme-sound.com

Technical State December 2009.

The content corresponds to the state at printing. Subject to technical alterations. Misprints and errors expected.