

Preface

Thanks for choosing series of HD digital car video recorder. This product is specially designed for the proof collection of traffic accident as well as to meet other requirements in the market, which make it multifunctional and bring you with more convenience and enjoyment. With advanced functions (such as digital camera, voice storage, web camera, and TV sync output and etc.) and the unique human oriented design which makes it small in size and looks elegant in appearance, this product, if equipped with multifunctional kickstand, can be widely used in many situations, including meeting minutes, monitoring evidence, location shooting, video evidence, etc.

This user's manual will demonstrate in details on how to use this product as well as the technical specification, installation guides and advices. Please read carefully and make sure to have a thorough understanding of it before starting to use this product. This manual should be kept properly for further reference, and we really hope this product can meet your every requirement and provide long-term services for you.

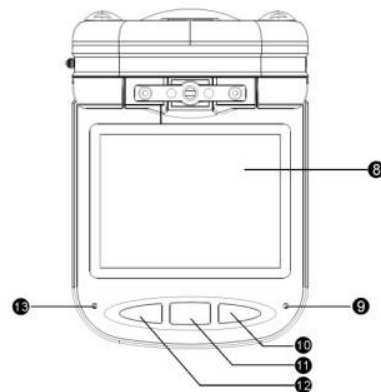
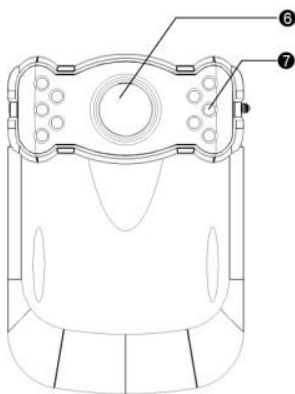
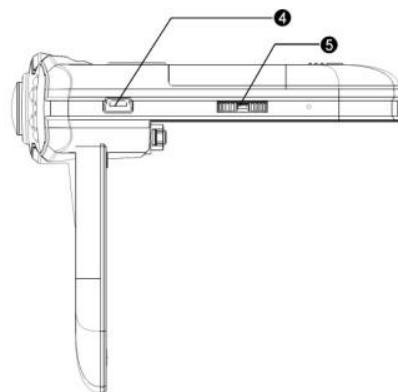
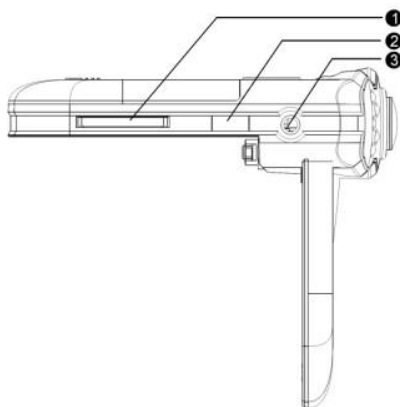
This product has been made in accordance with the certification standards of the FCC and CE authorities, which guarantees customers' safety when using it.

Product Characteristics

- Machine body is designed with beautiful decoration as well as easy camera while taking pictures;

- Display screen can be optionally rotated in 270 degrees;
- Video is recorded in AVI format, directly played by several players and easily uploaded to video Web sites;
- HD screen of 5 million pixels;
- High-speed dynamic video recording, and quick response to bright or dark situation;
- Video output: 1280*720, 720*480, 640*480, 320*240 30 fps;
- TV simultaneous display, at any time concerned about the video image;
- AV playback, playback anywhere exciting life;
- 800MA removable battery, 5 to 7 hours of work a long, so that mobile life more exciting;
- SD card storage devices, digital cameras ready to exchange storage, and maximum support 32GB;
- Loop video, record date of the most beautiful moment;
- Special car bracket, used widely;
- Time and date displayed simultaneously;
- Optional remote control based on fashion ultra-thin remote control;
- Easy to install, for a variety of carrier materials, and complex installation sites

Product Structure



①SD Groove ②Remote Control Reception ③AV-OUT ④USB Interface ⑤
MENU/UP/DOWN ⑥Red Indicator ⑦Camera ⑧Blue Indicator ⑨MODE
Button ⑩OK Button

Accessories:

User's Manual, Kickstand, USB Wires, AV Wires, Car Charger, Certificate of Quality and Warranty Card (12/24V-to -5V output cigar light)

I: Operation Instruction

i. Plug in card and press Start button for a little longer to enter into video standby mode when the blue indicator is lighted; if there are not any further operations in three minutes after starting up the engine, the machine will close automatically; when the battery has insufficient power, the “low battery “indication will appear and the machine will close automatically after flashing the blue indicator quickly (Please insert the card before starting up the engine)

ii. Press mode switch button for a little longer after starting to enter into required playing mode, the switching order is as follows: video recording, taking pictures and playback

iii. Video recording: the state of the machine after starting is video standby mode, press OK button for a little longer to record video, and then press OK button for a little longer to stop

iv. Taking pictures: press mode button for a little longer to switch to the mode of taking pictures, and then press OK button to take pictures

v. Playback: press mode button for a little longer to switch to the mode of playback, press thumb wheel button up/down to select the segment to be previewed, and then press OK button to play

vi. Infrared switch setting: press start button for a little longer to implement infrared start after starting, press start button for a little longer to implement infrared close, and press start button for a long time to close down.

vii. AV-OUT function: insert random additional AV wire into AV-OUT interface after starting, insert the other end into audio and video interface of the TV, set the TV at video state, switch the display of the screen to the TV hereby, and remove the AV wire to switch to the screen.

II: Menu setting

i. Press MENU button in video standby mode to enter into the menu of video output item of main menu, press thumb wheel button up/down to select the item to be set, enter by pressing OK button, and then confirm by pressing OK button. Double click MENU button for a long time to enter into the setting item of the main menu, press thumb wheel button up/down to select the item to be set, enter by pressing OK button, and then confirm by pressing OK button. Moreover, click MENU button for a long time to return to the video standby mode

Menu of each group of video output item:

①: Size ②: EV ③: White Balance ④: Time Stamp ⑤: Screen Turning ⑥:

Recording Time

Menu of each group of setting item:

(i): Formatting

(ii): Language (about 10 languages such as English, German, French, Brazil, traditional Chinese, Russian, Japanese and etc.)

(iii): Auto Off

(iv): System Reset

(v): Optical Frequency (select and set according to the optical frequency of the current use area)

(vi): Video Output Format

(vii): Date Input (press OK button to enter into YYYY/MM/DD, press OK button to remove the cursor to DD/MM/YYYY, and press thumb wheel button to regulate the current value)

(viii): USB

ii. Press MENU button for a little longer in taking pictures standby mode to enter into the menu of capture item, press thumb wheel button up/down to select the item to be set, enter by pressing OK button, and then confirm by pressing OK button. Double click MENU button for a long time to enter into the same setting item of the main menu, and click MENU button for a long time to return to the taking pictures standby mode

Menu of each group of capture item:

1: Size 2: Quality 3: Profiles 4: EV 5: White Balance 6: ISO 7: Colour 8: Saturation 9: Acutance 10: Preview 11: Time Stamp 12: Continuous Capture

iii. Press MENU button for a little longer in playback standby mode to enter into the menu of playback item, press thumb wheel button up/down to select the item to be set, enter by pressing OK button, and then confirm by pressing OK button. Double click MENU button for a long time to enter into the same setting item of the main menu, and click MENU button for a long time to return to the playback standby mode

Menu of each group of playback item:

1: Delete 2: Power Point Playback 3: Volume

III: Others:

i. Charging while recording: insert car charger, automatically enter the machine into video state after starting the car, cover the old file by the machine when the memory card is full, automatic loop video, and prevent the phenomenon that the card is full

ii. Remote control: this machine has remote control function, the effective range is 5 to 10 m, and the function of each button of the remote control is the same with that of the button of this machine (the power switching button of the remote control has no infrared switch function, the infrared switch shall be opened/closed on the power button the this machine)

iii. Free focal adjustment: press thumb wheel button up/down in video standby mode and taking pictures standby mode to carry out 8 times digital zoom

- iv. Supporting SD/MMC card: 1-32G**
- v. Sound recording function also available**
- vi. Ultra-strong night version function with excellent effect**
- vii. Indicator introduction: the blue indicator is a work indicator lamp, the blue indicator is flashed quickly while switching data; the red indicator is a charging indicator lamp, the red lamp is lighted for a long time while charging and is broken while filling.**
- viii. Photo format is adjustable JPG, 2560*1920/3264*2448/4032*3024.**