



**AD-400 DEHUMIDIFIER
Owner's Manual**



Please Keep These Instructions for Future Reference

Thank You!

Thank you for purchasing this NewAir dehumidifier. The following owner's manual will provide you with valuable information necessary for the proper care and maintenance of your new dehumidifier. Please take a few moments to read these instructions thoroughly and to familiarize yourself with all the operational aspects of this dehumidifier.

FEATURES

Because this dehumidifier removes unwanted moisture from the air, it provides a more comfortable environment for your home or office. In addition, this unit can be conveniently moved from room to room with ease. Here are some additional features this dehumidifier has to offer:

Powerful Dehumidification Capabilities:

By taking advantage of refrigeration technology, this powerful dehumidifier removes excess moisture from the air in order to decrease the humidity level of a room or area. As a result, this keeps the indoor air dry and comfortable.

Lightweight & Portable Design:

This dehumidifier is both compact and lightweight. The casters on the bottom of the unit make it easy to move from room to room.

Low Temperature Operation with Automatic Defrost:

When the unit is operating in rooms where the temperature ranges from 41°F and 53.6°F, it will automatically stop to defrost every 30 minutes. When the unit is operating in rooms where the temperature ranges from 53.6°F and 68°F, it will automatically stop to defrost every 45 minutes.

Adjustable Humidistat:

The built-in humidistat allows you to select the desired humidity level for your room.

Programmable Timer:

The programmable timer allows you to set when the unit is to be turned on and/or off.

Quiet Operation:

This dehumidifier operates at a low noise level and will not disturb your indoor environment.

Energy Efficient:

This dehumidifier consumes little power and is extremely energy efficient.

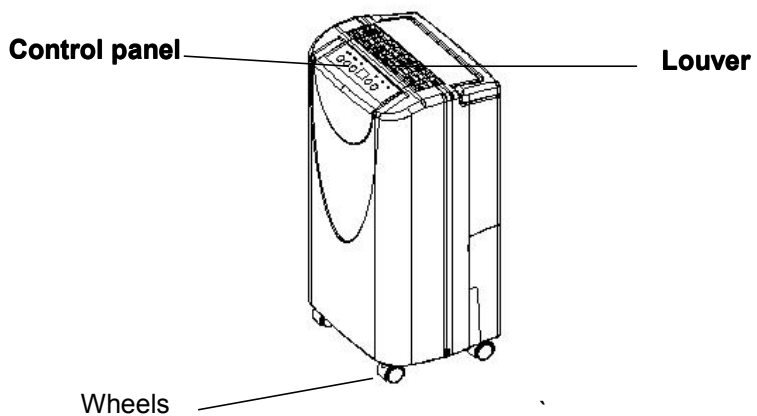
SAFETY WARNINGS

When operating the unit, please observe the following safety precautions:

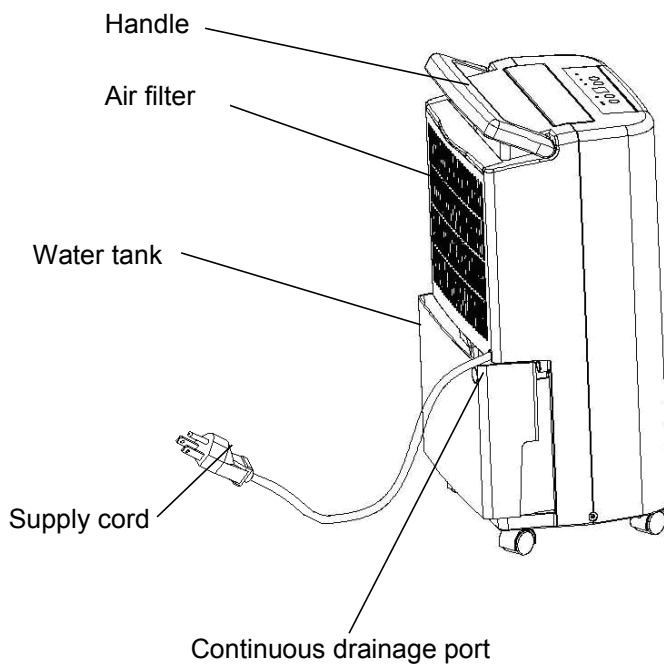
1. Unplug the power supply cord before cleaning or storage.
2. Do not submerge the unit in water or near damp areas.
3. Do not set the unit close to heat-generating devices or near flammable and dangerous materials.
4. Do not place fingers or foreign objects into or near the intake or discharge ducts.
5. Do not sit or stand on the unit.
6. Empty water that has collected in the tank as required.
7. Do not operate the dehumidifier in an enclosed area such as inside a closet, as this poses a fire hazard.
8. Install the drain piping at a downhill grade to ensure condensed water can be drained continuously.
9. If the power supply cord is damaged, it must be replaced by the manufacturer or a qualified service agent.

PRODUCT DIAGRAM

FRONT



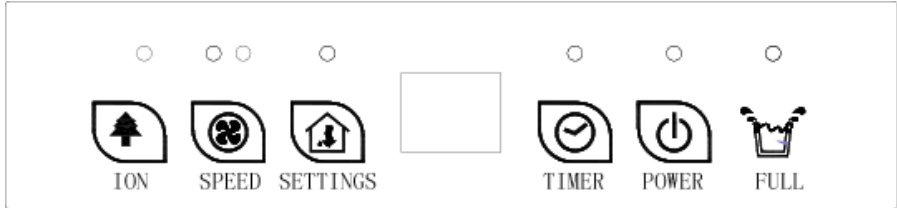
REAR



If the Unit is Not Operating:

1. If the unit does not turn on, please check-up the plug.
2. If the Full Tank Indicator Light is on, drain the tank before restarting the unit.

OPERATING INSTRUCTIONS



Indicator Lights:



Full Tank Indicator Light

The Full Tank Indicator Light will turn red when the drainage tank is full. If this occurs, empty the water out of the drainage tank and make sure the tank is positioned properly before restarting the unit.



Power Indicator Light

Regardless of whether the unit is actually in operation, the Power Indicator Light will turn green when the unit is plugged in.



Timer Indicator Light

The Timer Indicator Light will turn green when the timer function is set.



Adjustable Humidity Setting Indicator Light

The Adjustable Humidity Setting Indicator Light will turn green when the humidity level is set.



Fan Speed Indicator Light

The Right Fan Indicator Light (located above the smaller fan icon) will turn green when the unit is programmed to the low fan speed. The Left Fan Indicator Light (located above the larger fan icon) will turn red when the unit is programmed to the high fan speed.



Ion Indicator Light

The Ion Indicator Light will turn green when the ionizer setting is turned on.



Humidity Level & Timer Indicator Lights

This indicator features 3 functions:

1. When the unit is plugged in, it will indicate the room's humidity level.
2. When the desired humidity level is selected, it will indicate this level.
3. When the programmable timer is set, it will indicate the hours set.

Button Functions:



Power Button

Press this button once to begin operation. The default humidity level will be 60%. Press this button again to stop operation.



Timer Button (24-Hour Timer Setting)

Press this button to program the time in which the unit turns on and off. To cancel the timer function, press the button to adjust the time to "00."



Adjustable Humidity Button

The humidistat range for this dehumidifier ranges from 40% to 80%. Press the Humidity Button to set the desired humidity level (this can be set in increments of 5%). The display will then show 60, 65...80, 40, 45...60. The LED will turn on during this process.

When the dehumidifying function is in operation, the LED light will turn on. If the humidity level of the room is lower than the selected humidity level, the unit will automatically stop dehumidifying, and the fan will circulate the air.



Fan Speed Button

Press this button to set the desired fan speed. This can be adjusted between high and low speeds.




Ion Button

Press this button to set the ionic function. Once pressed, the LED light will turn on, and to cancel the ionic function, press the Ion Button again.

OPERATION

1. Turning on the Unit:

After the unit is plugged in for the first time, a buzzer will sound and the humidity indicator will show the default humidity level at 60% with low fan speed. Press the  button to start operation.

2. Manually Opening the Louver:

Before operating the unit, check to make sure the louver has been opened. If the louver is closed, the unit may overheat.

3. Stopping Operation:

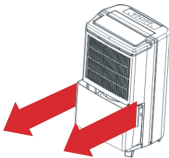
Press the POWER button  to stop the dehumidification process. Never turn off the unit by unplugging the supply cord.

DRAINING THE COLLECTED WATER

When the drainage tank is full, the Full Tank Indicator Light will turn on and the buzzer will beep 15 times to alert the user. Operation will then stop automatically. To continue operation, the water will need to be emptied from the drainage tank.

Emptying the Drainage Tank

1. Lightly press the sides of the unit's tank with both hands and gently pull it out.



2. Discard the collected water and replace the tank back onto the unit.

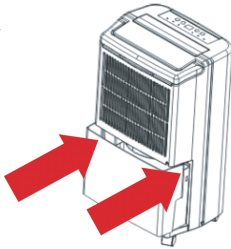


PLEASE NOTE:

1. Do not remove the float from the unit, as doing so will prevent the water level sensor from correctly detecting the water level. Moreover, removing the float may cause water leakage from the unit's water tank.

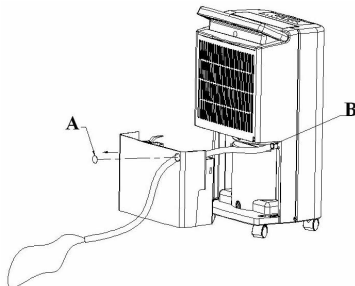


2. If the drainage tank is dirty, rinse it with cold or lukewarm water. Do not use detergent, scouring pads, chemically-treated dust cloths, gasoline, benzene, paint thinner, or other solvents, as these can scratch and damage the tank and cause water leakage.
3. When replacing the drainage tank back onto the unit, press the tank firmly in place with both hands. If the tank is not positioned properly, the "TANK FULL" sensor will be activated, and the dehumidifier will not operate.



Continuous Water Drainage

This dehumidifier features a continuous drainage port. To utilize this function, use a plastic pipe with an inner diameter of 9 mm. The water in the drainage tank can now be continuously drained out of the port on the unit.



MAINTENANCE

Cleaning the Dehumidifier

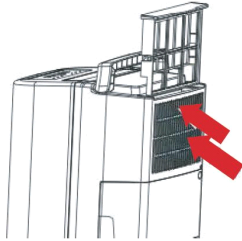
To Clean the Body:

To clean the body, simply wipe it with a soft, damp cloth. Refrain from using harsh cleaners or detergents.

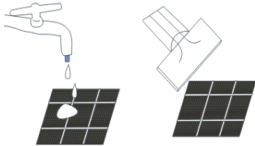
To Clean the Air Filter:

To clean the air filter, following these steps:

1. Remove the air filter.



2. Run a vacuum cleaner lightly over the surface of the air filter to remove dirt, dust, and debris. If the air filter is exceptionally dirty, wash it with warm water and a mild cleanser. Remember to dry thoroughly.



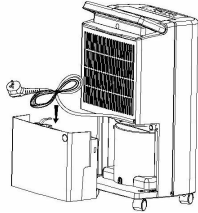
3. Reattach the air filter by inserting it back into the unit.



Storing the Dehumidifier

When not being used for an extended period of time, properly store the unit by following these steps:

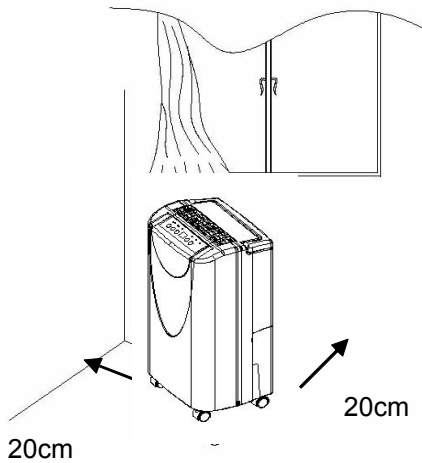
1. Fold the power supply cord and secure it to the water tank.



2. Discard any water left in the drainage tank.
3. Clean the air filter.
4. Store the unit upright in a cool, dry place and in its original packaging to keep it free from dust and debris.

Clearance

When the dehumidifier is in operation, maintain minimum clearance around the unit as shown in the diagram on the right.



TROUBLESHOOTING

If one of the problems listed below exists, check the following conditions before contacting customer service:

Problem	Possible Causes	Solution
The unit does not operate.	Has the power cord been disconnected?	Plug the power cord back into the outlet.
	Is the Full Tank Indicator Light blinking? (the tank is either full or in a wrong position)	Empty the water in the drainage tank and reposition it back into the tank
	Is the temperature in the room above 95° F or below 41° F?	The protective device is activated and the unit cannot be started.
The dehumidifying function does not work.	Is the air filter clogged?	Clean the air filter as instructed in “Cleaning the Dehumidifier.”
	Is the intake or discharge duct obstructed?	Remove the obstruction from the discharge or intake duct.
No air is being discharged from the unit.	Is the air filter clogged?	Clean the air filter as instructed in “Cleaning the Dehumidifier.”
Operation is noisy.	Is the unit tilted at an angle or unsteady?	Move the unit to a stable, sturdy location.
	Is the air filter clogged?	Clean the air filter as instructed in “Cleaning the Dehumidifier.”

