

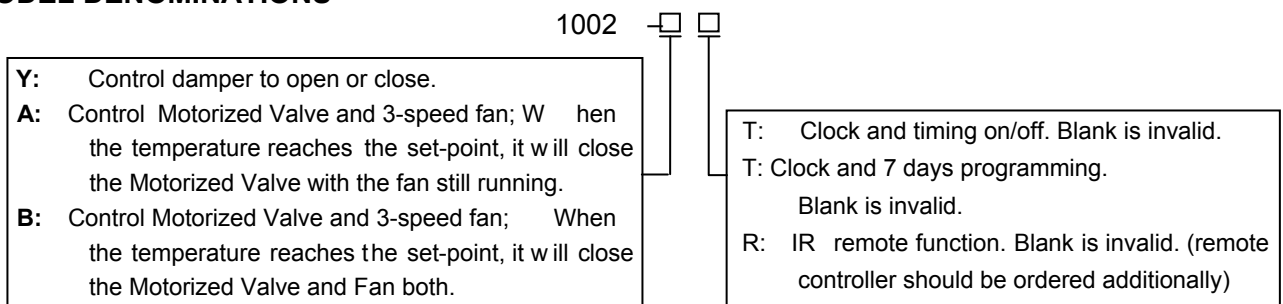
MR1002 Series Thermostat User Manual

MR1002 Series thermostats are available for individual room temperature control in residential, industrial and business premises. Models are available for heating, cooling, ventilating control.

MR1002 adopts digital control technology with large LCD display, It shows the following items: working states (cool, heat or ventilation), the speed of fan coil, room temperature, set-point temperature. There are following keys on the panel: On/Off "⏻", Exchange mode (cool, heat or ventilation) "M", Timer "⌚", Select fan speed (high, medium, low or auto) "🌀", set-point temperature "▲" and "▼".



MODEL DENOMINATIONS



BASIC FEATURES

- ★ Room temperature setting
- ★ Manual or Auto 3-speed changeover
- ★ Defrost (low temperature protection)
- ★ Clock (-T,-T74)
- ★ 7 days programmable (-T74)
- ★ IR control (-R)
- ★ Blue backlight (-L)

STATUS DISPLAY

- ★ Working Status: Cool ❄️, Heat 🔥, Ventilation 🌀
- ★ Fan Speeds: Low 🌀, Medium 🌀, High 🌀 and Auto 🌀
- ★ Room temperature display
- ★ Temperature setting
- ★ Clock
- ★ Week


SPECIFICATIONS


Sensing element: NT C
 Accuracy : ±0.5
 Set-point range: 5 to 35
 Operating Temperature: 0~45
 Operating Humidity: 5~ 90%RH (non-condensing)
 Power supply: AC85 ~ 260V , 50/60Hz
 Switch current rating: 2(1)A
 Power Consumption: < 2W

Wirings: Screw-in terminals, each terminal capable of accepting 2 x 1.5 mm² or 1 x2.5 mm² wires
 Housing: ABS Flame Retardant
 Dimensions: 86 × 86 × 13 mm
 Hole pitch: 60mm
 Protection Class: IP30
 Display: LCD

OPERATION

- ☞ On/Off: Press "⏻" to turn on, press "⏻" again to turn off thermostat and its output.
- ☞ Setting temperature: Press "▼" to reduce set-point, press "▲" to raise set-point.
- ☞ Mode Selection: Press "M" to change system working in cooling "❄️", heating "🔥" or ventilation "🌀" mode, the related icon will flash, and it will be confirmed automatically after 5 seconds. The ventilation function is invalid for 1002Y.
- ☞ Fan Speed Selection (1002DA/DB): Press "🌀" to change fan speed among "🌀 (Hi)", "🌀 (Med)", "🌀 (Low)" or "🌀(Auto)".


Under auto fan speed “


Under manual fan speed: Press “

☞ Control Damper (1002Y): The damper will be open when (1) room temperature is higher than 1 °C set-point in cooling; (2) room temperature is lower than 1 °C set-point in heating, Otherwise the damper will be closed.


☞ Control Motorized Valve (1002DA/DB): If the difference between room temperature and set-point exceed 1 °C, FCU Valve will be open; If room temperature and set-point are equal, 1002DA will close the FCU valve with the fan still running, 1002DB will close the FCU valve and Fan both.


Setting Clock (-T, -T74) :


☞ Clock Adjustment: Press “


☞ Week Adjustment: Press “


Setting the Timer On and Timer Off (-T) :

☞ Set sleep Function: Press “


☞ Timing ON Setting: Press “


☞ Timing OFF Setting: Press “


☞ Timing ON Cancellation: Press “

☞ Timing OFF Cancellation: Press “

Setting the program(-T74):


☞ Press “


☞ Use Up/Down buttons to set the required start time. Press “

☞ Use Up/Down button to set the required temp. Press “

☞ Repeat for switching times 2-4 week-day.

☞ After you have programmed times 1-4 for the weekday, you are now able to set the switching times for weekend “Sa Su” will be displayed.


☞ Use Up/Down buttons to set the required start time. Press “


☞ Use the Up/Down button to set the required temp. Press “

☞ Repeat for switching times 2-4 for the week-end.

Low temperature protection mode:

☞ Low temperature protection: When you enable this function, and the thermostat is off, and the RT is lower than 5 °C, thermostat will be on automatically and in heat mode, when the temperature is back to 7 °C, thermostat will be off automatically.

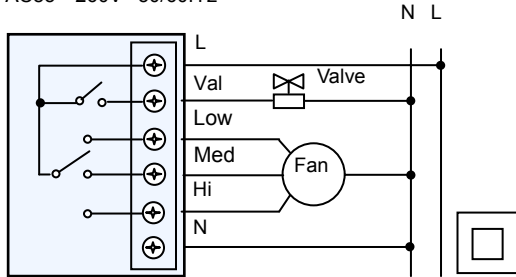
☞ Set low temperature protection: Turn off the thermostat, press “

Press “

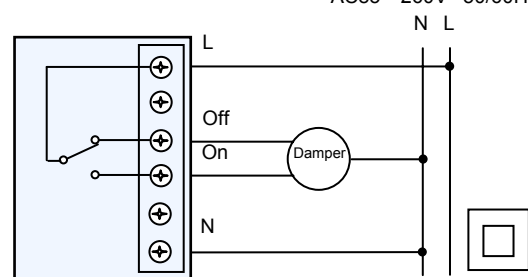
Page 2 of 3

WIRING DIAGRAMS

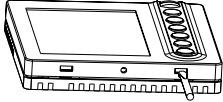
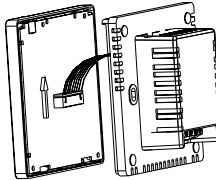
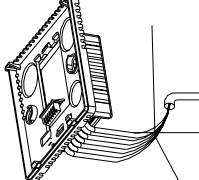
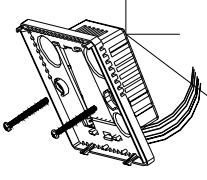
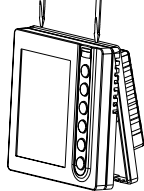
AC85 ~ 260V 50/60Hz



AC85 ~ 260V 50/60Hz



INSTALLATION

 <p>1. Open the main control panel: put the screwdriver (3.5mm) into the block 4mm along the bevel. Prize up, open the clips.</p>	 <p>2. Take off the wires.</p>	 <p>3. As per wiring diagram, connect it with terminals, fixed by the screwdriver.</p>	 <p>4. Put the connected thermostat onto the back panel in the wall, then fix it with the two screws in the packing box.</p>	 <p>5. Put the cover with 30 degree angle, then fix the up two clips;</p> <p>6. Push the places of the two down clips, fix the cover, and finish the installation.</p>
--	---	---	--	---

Attention: wiring work should be done according to wiring diagram. Water, mud et c. impurity should be kept outside of thermostat, or electric element will be damaged!