

Kramer Electronics, Ltd.



USER MANUAL

Model:

K-Able Box

Cable Retractor

Contents

1	Introduction	1
2	Getting Started	1
2.1	TBUS Compatibility	2
2.2	Recycling Kramer Products	2
2.3	Quick Start	3
3	Overview	4
3.1	Component Identification	5
4	Defining the K-Able Box	6
5	Mounting the K-Able Box	7
5.1	Mounting the K-Able Box Horizontally	7
5.2	Mounting a Single K-Able Box Vertically	8
5.3	Mounting Multiple K-Able Box Units Vertically	11
6	Using the K-Able Box	13
6.1	Extending the Cable	13
6.2	Retracting the Cable	13
6.3	Storing the Fixed End of the Cable	13
7	Connecting the K-Able Box	13
8	Technical Specifications	14

Figures

Figure 1:	K-Able Box	6
Figure 2:	Mounting the K-Able Box and Cable Exit Bracket Horizontally	7
Figure 3:	Cable Exit Bracket Showing the Plastic Friction Bush in Place	8
Figure 4:	Various Vertical Mounting Options	8
Figure 5:	Mounting a Single K-Able Box Vertically	9
Figure 6:	Vertical Mount Bracket	9
Figure 7:	Inserting the Pin and Bolt into the Bracket	10
Figure 8:	Mounting Multiple K-Able Box Units Vertically	11
Figure 9:	Mounting Multiple K-Able Box Units Vertically—Rear View	12

Tables

Table 1:	K-Able Box Component Identification	5
Table 2:	K-Able Box Features	6
Table 3:	Vertical Mount Bracket Features	9
Table 4:	Technical Specifications of the K-Able Box	14

1 Introduction

Welcome to Kramer Electronics! Since 1981, Kramer Electronics has been providing a world of unique, creative, and affordable solutions to the vast range of problems that confront the video, audio, presentation, and broadcasting professional on a daily basis. In recent years, we have redesigned and upgraded most of our line, making the best even better! Our 1,000-plus different models now appear in 11 groups¹ that are clearly defined by function.

Congratulations on purchasing your Kramer **K-Able Box™**, which is ideal for boardrooms, conference and training rooms.

The package includes the following items:

- **K-Able Box**
- Cable exit bracket, plastic friction bush and mounting screws
- Vertical mounting bracket, mounting screws, front mount pin, rear fixing bolt and locking nut
- Four horizontal mounting wood screws
- This user manual²

2 Getting Started

We recommend that you:

- Unpack the equipment carefully and save the original box and packaging materials for possible future shipment
- Review the contents of this user manual
- Use Kramer high performance high resolution cables³

¹ GROUP 1: Distribution Amplifiers; GROUP 2: Switchers and Router; GROUP 3: Control Systems; GROUP 4: Format/Standards Converters; GROUP 5: Twisted-Pair Solutions; GROUP 6: Specialty AV Products; GROUP 7: Scan Converters and Scalers; GROUP 8: Cables and Connectors; GROUP 9: Room Connectivity; GROUP 10: Accessories and Rack Adapters; GROUP 11: Sierra Products

² Download up-to-date Kramer user manuals from <http://www.kramerelectronics.com>

³ The complete list of Kramer cables is available from <http://www.kramerelectronics.com>

2.1 TBUS Compatibility

The **K-Able Box** can be used in conjunction with the following Kramer table mount units (when a **WCP**, **WCP-2** or **WCP-21** is installed):

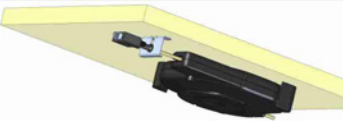
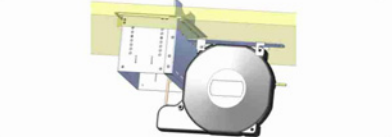
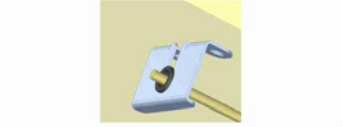
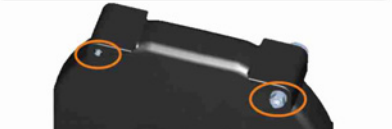
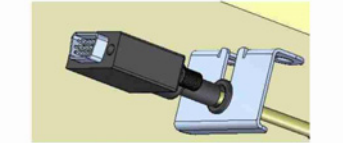

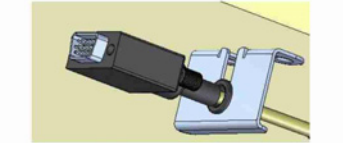
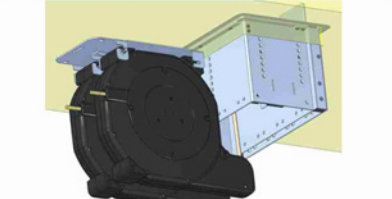
- **TBUS-1A**
- **TBUS-3**
- **TBUS-4**
- **TBUS-5**
- **TBUS-6**
- **TBUS-9**
- **TBUS-10**

2.2 Recycling Kramer Products

The Waste Electrical and Electronic Equipment (WEEE) Directive 2002/96/EC aims to reduce the amount of WEEE sent for disposal to landfill or incineration by requiring it to be collected and recycled. To comply with the WEEE Directive, Kramer Electronics has made arrangements with the European Advanced Recycling Network (EARN) and will cover any costs of treatment, recycling and recovery of waste Kramer Electronics branded equipment on arrival at the EARN facility. For details of Kramer's recycling arrangements in your particular country go to our recycling pages at <http://www.kramerelectronics.com/support/recycling/>.

2.3 Quick Start

This quick start chart summarizes the basic steps when installing a **K-Able Box**.

<p>Mounting the K-Able Box horizontally - see Section 5.1</p>	<p>Mounting the K-Able Box vertically - see Sections 5.2 and 5.3</p>
<p>Step 1: Mount the K-Able Box to the underneath of the table</p>	<p>Step 1: Mount the vertical mounting bracket perpendicular to the TBUS on the underneath of the table</p>
	
<p>Step 2: Feed the cable through the cable exit bracket and secure the bracket to the underneath of the table</p>	<p>Step 2: Mount the front pin and rear nut/bolt to the K-Able Box</p>
	
<p>Step 3: Slide the plastic friction bush around the cable and press it into the cable exit bracket</p>	<p>Step 3: Slide the front pin and rear nut/bolt into the vertical mounting bracket and tighten the nut</p>
	
<p>Step 4: Feed the cable through the T-BUS insert, slide the plastic friction bush around the cable and press it into the insert</p>	<p>Step 4: Feed the cable through the T-BUS insert, slide the plastic friction bush around the cable and press it into the insert</p>
	
<p>Extending and Retracting the Cable - see Section 6</p> <p>To extend the cable:</p> <ol style="list-style-type: none"> 1. Extend the free end of the cable until the required length is exposed. 2. Extend the cable a short distance further until you feel increased tension. 3. Release the cable. The lock engages and prevents the cable from retracting. <p>To retract the cable:</p> <ol style="list-style-type: none"> 1. Extend the cable a short distance until you feel decreased tension. The lock is disengaged. 2. Allow the cable to retract keeping it under a light tension. 	

3 Overview

The **K-Able Box** is a furniture-mounted cable extension, retractor and housing that is easily installed underneath a table top or in a podium. The **K-Able Box** is available with one of seven cable types:

- VGA
- Audio
- VGA and Audio
- HDMI/Ethernet
- USB-A
- CAT 6 Twisted Pair
- DisplayPort

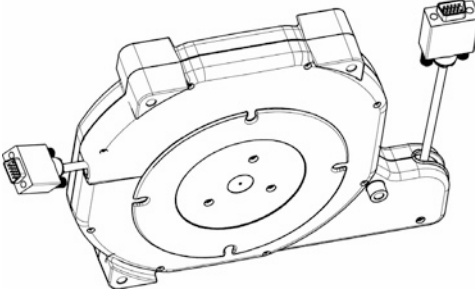



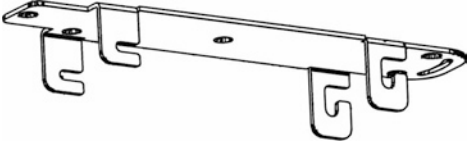



The **K-Able Box** can be mounted:

- Horizontally or vertically
- Independently or vertically in conjunction with the Kramer TBUS range of products
- Vertically in a bank of up to three units

3.1 Component Identification

[Table 1](#) lists the components supplied with the **K-Able Box** and their descriptions.

Table 1: K-Able Box Component Identification

Item	Qty	Description
	1	K-Able Box
	4	K-Able Box 60 x 4mm horizontal mounting countersunk head screws
	1	Cable exit bracket
	1	Plastic Friction Bush
	1	Vertical mounting bracket
	9	Vertical mounting bracket/Cable exit bracket 18 x 4mm countersunk head screws
	1	Vertical mounting bracket front pin
	1	Vertical mounting bracket rear carriage bolt M6 x 60, M6 locking nut and M6 flat washer

4 Defining the K-Able Box

[Figure 1](#) and [Table 2](#) define the **K-Able Box** unit.

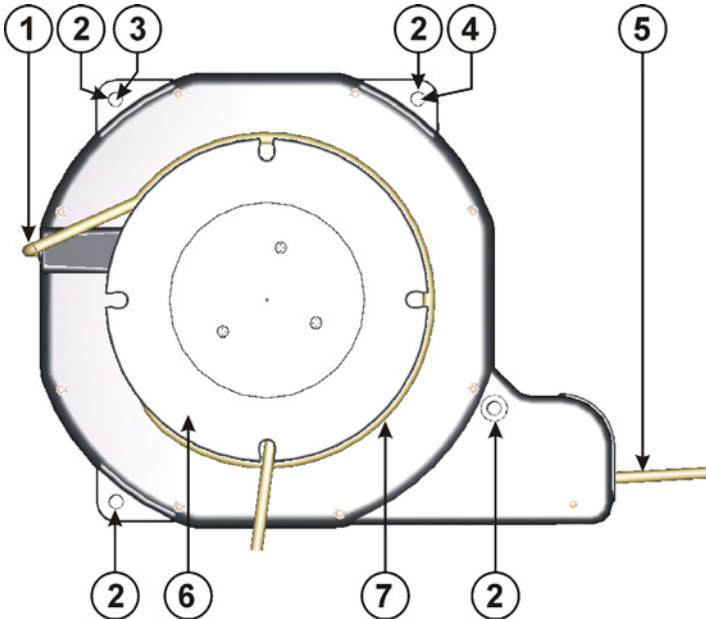


Figure 1: K-Able Box

Table 2: K-Able Box Features

#	Feature	Function
1	Cable—Fixed End	Connect to room wiring infrastructure, for example, leading to a projector
2	Mounting Holes (4)	For mounting horizontally to the underneath of a surface
3	Mounting Hole (1)	For mounting vertically using locking nut/bolt in the mounting bracket
4	Mounting Hole (1)	For mounting vertically using the pin in the mounting bracket
5	Cable—Extendable End	Connect to the mobile user device, for example, a laptop PC
6	Spool	For storage of the fixed cable end when not in use
7	Wrapped Cable	Fixed end of cable wrapped around the storage spool

If there is restricted space, it is possible to remove the cable storage spool by removing the three screws securing it to the housing.

Note: When winding the fixed end of the cable around the storage spool, keep a bend radius of at least 2cm (0.8in) where the cable exits the housing to avoid damaging the cable.

5 Mounting the K-Able Box

This section consists of:

- Mounting the **K-Able Box** horizontally (See [Section 5.1](#))
- Mounting a single **K-Able Box** vertically (see [Section 5.2](#))
- Mounting multiple **K-Able Box** units vertically (see [Section 5.3](#))

5.1 Mounting the K-Able Box Horizontally

The **K-Able Box** can be mounted horizontally to the underneath of a surface (such as, a table) using the supplied screws.

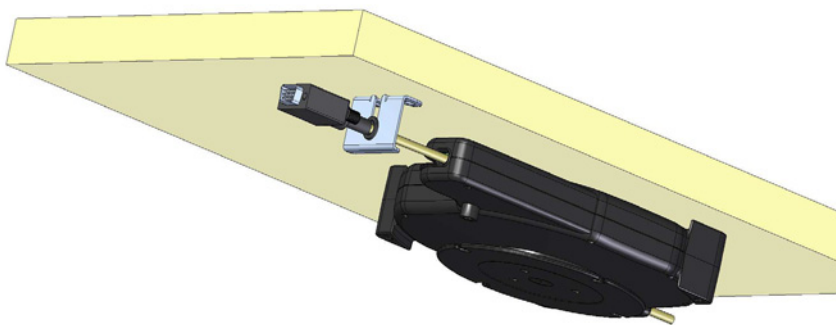


Figure 2: Mounting the K-Able Box and Cable Exit Bracket Horizontally

To mount the K-Able Box horizontally as illustrated in the example in [Figure 2](#):

1. Position the **K-Able Box** relative to the edge of the table as shown in [Figure 2](#) and secure it using the four wood screws supplied.
2. Feed the cable through the cable exit bracket.
3. Position the cable exit bracket underneath the table such that the cable connector will not protrude beyond the edge of the table.
4. Secure the cable exit bracket using the two of the short wood screws supplied.
5. Slide the plastic friction bush around the cable and press it into the opening in the cable exit bracket (see [Figure 3](#)).

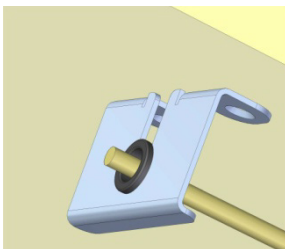


Figure 3: Cable Exit Bracket Showing the Plastic Friction Bush in Place

5.2 Mounting a Single K-Able Box Vertically

[Figure 4](#) shows various vertical mounting options of one or two **K-Able Box** units.

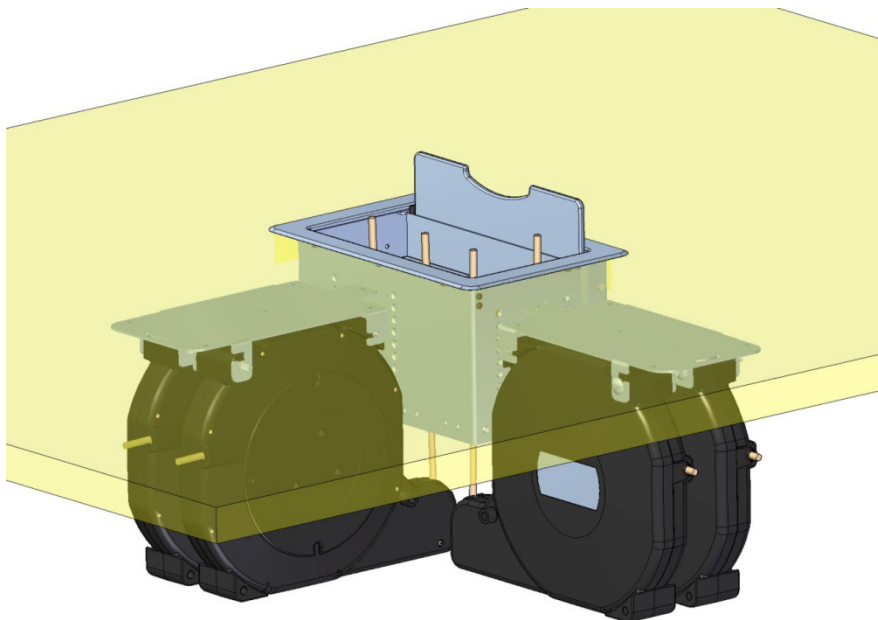


Figure 4: Various Vertical Mounting Options

[Figure 5](#) shows a single **K-Able Box** mounted vertically next to a **TBUS** unit.

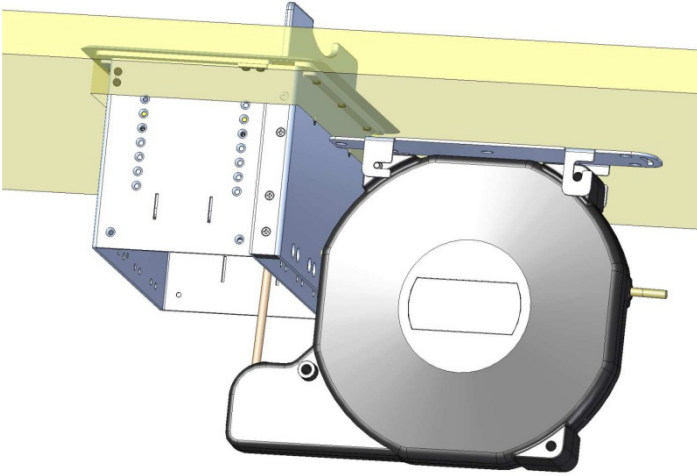


Figure 5: Mounting a Single K-Able Box Vertically

[Figure 6](#) shows the vertical mount bracket for a single **K-Able Box**.

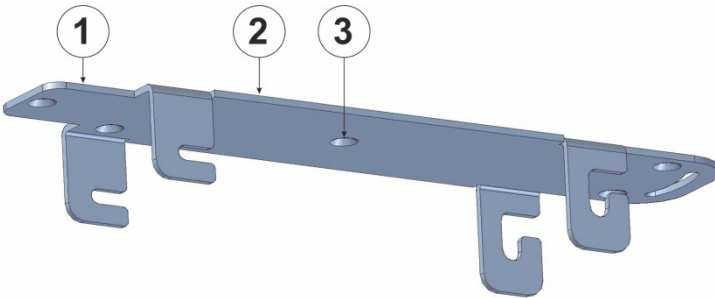


Figure 6: Vertical Mount Bracket

Table 3: Vertical Mount Bracket Features

#	Feature	Function
1	Bracket Extension	Position against the side of the TBUS to insure correct spacing between the TBUS and the K-Able Box
2	Vertical Mount Bracket	Bracket for mounting a single K-Able Box vertically
3	Mounting Holes (6)	Holes for the mounting screws

To mount a single K-Able Box vertically as illustrated in the example in [Figure 5](#):

1. Position the vertical-mounting bracket (see [Figure 6](#)) such that the cable exits in line with the TBUS insert.

Note: The vertical mounting bracket is designed to be mounted with the extension against the side of the TBUS providing the correct spacing between the TBUS and the **K-Able Box**.

2. Secure the vertical mounting bracket perpendicular to the TBUS on the underneath of the table using at least four of the small screws supplied.
3. Slide the pin through the top mounting hole of the **K-Able Box** housing so that it protrudes the same distance from each side of the hole.
4. Slide the bolt through the top rear mounting hole of the **K-Able Box**.
5. Screw the nut onto the bolt only until the end of the bolt is flush with the nut.
6. Slide the pin at the front of the **K-Able Box** housing into the front of the vertical mounting bracket at the same time as hooking the bolt onto the rear of the vertical mounting bracket (see [Figure 7](#)).



Figure 7: Inserting the Pin and Bolt into the Bracket

7. Tighten the nut on the bolt, securing the **K-Able Box** to the vertical mounting bracket.
8. Feed the cable through the **TBUS WCP/WCP-2/WCP-21** insert and secure it to the plate of the TBUS.
9. Slide the plastic friction bush around the cable and press it into the opening in the insert.

5.3 Mounting Multiple K-Able Box Units Vertically

Vertical mounting brackets that have room for either two or three **K-Able Box** units are available as options.

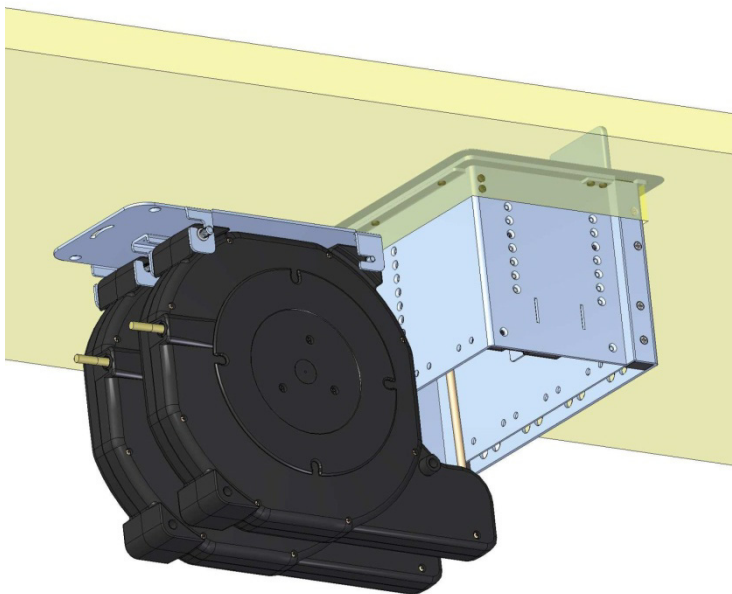


Figure 8: Mounting Multiple K-Able Box Units Vertically

The procedure is the same for mounting two or three **K-Able Box** units.

To mount multiple K-Able Box units vertically as illustrated in the example in [Figure 8](#):

1. Position the multiple mounting bracket (see [Figure 6](#)) in line with the **TBUS** insert such that when the cables are extended they are in line with the **TBUS** inserts.

Note: The vertical mounting bracket is designed to be mounted with the extension against the side of the **TBUS** providing the correct spacing between the **TBUS** and the **K-Able Box** units.

2. Secure the multiple-mounting bracket to the underneath of the table using the wood screws supplied.
3. Slide the pin through the top mounting hole of each of the **K-Able Box** units to be mounted.
4. Slide the bolt through the top rear mounting holes of the **K-Able Box** units.

5. Screw the nut onto the bolt only until the end of the bolt is flush with the nut.
6. Slide the pin at the front of the **K-Able Box** housings into the front of the multiple-mounting bracket at the same time as hooking the bolt onto the rear of the vertical-mounting bracket.
7. Tighten the nut on the bolt, securing the **K-Able Box** units to the vertical-mounting bracket.
8. Feed the cables through the **TBUS WCP/WCP-2/WCP-21** inserts.
9. Slide the plastic friction bushes around each of the cables and press them into the openings in the inserts.

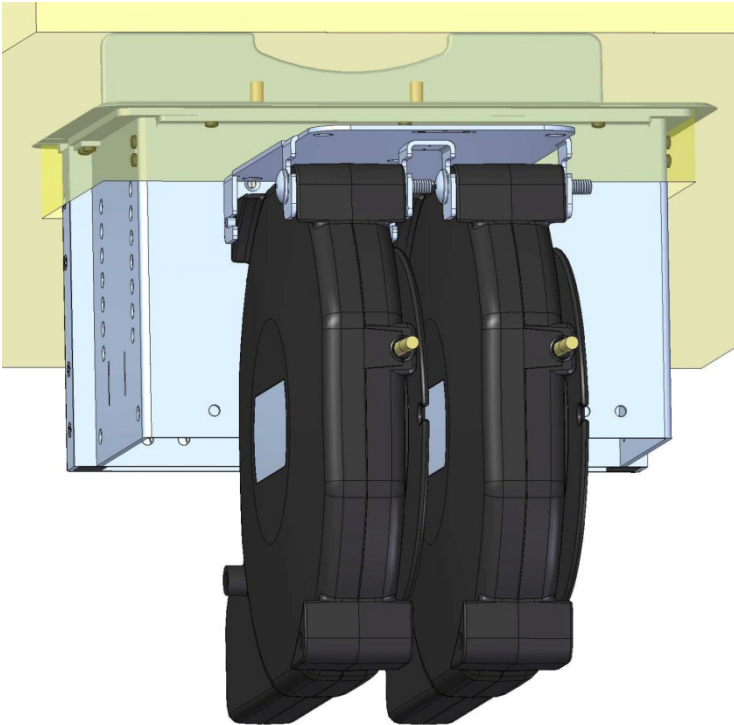


Figure 9: Mounting Multiple K-Able Box Units Vertically—Rear View

6 Using the K-Able Box

6.1 Extending the Cable

To extend the cable:

1. Extend the free end of the cable until the required length is exposed.
2. Extend the cable a short distance further until you feel increased tension.
3. Release the cable.
The lock engages and prevents the cable from retracting.

6.2 Retracting the Cable

To retract the cable:

1. Extend the cable a short distance until you feel decreased tension.
The lock is disengaged.
2. Allow the cable to retract keeping it under a light tension.



When the lock disengages, do not let go of the cable and allow it to retract unrestrained or the mechanism/cable may be damaged.

In the event that there is a problem with getting the cable to retract, extend the cable fully and the mechanism will disengage.

6.3 Storing the Fixed End of the Cable

Wind the fixed end of the cable around the external spool for storage.

7 Connecting the K-Able Box

To connect the K-Able Box:

1. Connect the fixed cable end to the cable infrastructure of the room (for example, leading to a projector).
2. Pull the extendable cable end and connect it to the source (for example, a laptop).

8 Technical Specifications

[Table 4](#) lists the technical specifications of the **K-Able Box**.

Table 4: Technical Specifications¹ of the K-Able Box

DIMENSIONS:	26.7cm x 21.1cm x 3.7cm (10.5" x 8.3" x 1.5")
WEIGHT:	1.4kg (3.1lbs) approx.
FIXED END CABLE LENGTH:	1m (3.3ft)
EXTENDABLE END CABLE LENGTH:	1.2m (3.9ft)
ACCESSORIES:	4 horizontal mount wood screws Cable exit bracket, plastic friction bush Single unit vertical mounting bracket, front pin, rear carriage bolt, nut and washer 9 vertical mount/cable exit bracket wood screws
OPTIONS:	K-ABLE-BOX/BRKT_DUAL_CLIP_TABALE, Part Number 85-0400799 K-ABLE-BOX/BRKT_TRIO_CLIP_TABALE, Part Number 85-0400899

¹ Specifications are subject to change without notice

LIMITED WARRANTY

The warranty obligations of Kramer Electronics for this product are limited to the terms set forth below:

What is Covered

This limited warranty covers defects in materials and workmanship in this product.

What is Not Covered

This limited warranty does not cover any damage, deterioration or malfunction resulting from any alteration, modification, improper or unreasonable use or maintenance, misuse, abuse, accident, neglect, exposure to excess moisture, fire, improper packing and shipping (such claims must be presented to the carrier), lightning, power surges, or other acts of nature. This limited warranty does not cover any damage, deterioration or malfunction resulting from the installation or removal of this product from any installation, any unauthorized tampering with this product, any repairs attempted by anyone unauthorized by Kramer Electronics to make such repairs, or any other cause which does not relate directly to a defect in materials and/or workmanship of this product. This limited warranty does not cover cartons, equipment enclosures, cables or accessories used in conjunction with this product.

Without limiting any other exclusion herein, Kramer Electronics does not warrant that the product covered hereby, including, without limitation, the technology and/or integrated circuit(s) included in the product, will not become obsolete or that such items are or will remain compatible with any other product or technology with which the product may be used.

How Long Does this Coverage Last

Seven years as of this printing; please check our Web site for the most current and accurate warranty information.

Who is Covered

Only the original purchaser of this product is covered under this limited warranty. This limited warranty is not transferable to subsequent purchasers or owners of this product.

What Kramer Electronics will do

Kramer Electronics will, at its sole option, provide one of the following three remedies to whatever extent it shall deem necessary to satisfy a proper claim under this limited warranty:

1. Elect to repair or facilitate the repair of any defective parts within a reasonable period of time, free of any charge for the necessary parts and labor to complete the repair and restore this product to its proper operating condition. Kramer Electronics will also pay the shipping costs necessary to return this product once the repair is complete.
2. Replace this product with a direct replacement or with a similar product deemed by Kramer Electronics to perform substantially the same function as the original product.
3. Issue a refund of the original purchase price less depreciation to be determined based on the age of the product at the time remedy is sought under this limited warranty.

What Kramer Electronics will not do Under This Limited Warranty

If this product is returned to Kramer Electronics or the authorized dealer from which it was purchased or any other party authorized to repair Kramer Electronics products, this product must be insured during shipment, with the insurance and shipping charges prepaid by you. If this product is returned uninsured, you assume all risks of loss or damage during shipment. Kramer Electronics will not be responsible for any costs related to the removal or re-installation of this product from or into any installation. Kramer Electronics will not be responsible for any costs related to any setting up this product, any adjustment of user controls or any programming required for a specific installation of this product.

How to Obtain a Remedy under this Limited Warranty

To obtain a remedy under this limited warranty, you must contact either the authorized Kramer Electronics reseller from whom you purchased this product or the Kramer Electronics office nearest you. For a list of authorized Kramer Electronics resellers and/or Kramer Electronics authorized service providers, please visit our web site at www.kramerelectronics.com or contact the Kramer Electronics office nearest you.

In order to pursue any remedy under this limited warranty, you must possess an original, dated receipt as proof of purchase from an authorized Kramer Electronics reseller. If this product is returned under this limited warranty, a return authorization number, obtained from Kramer Electronics, will be required. You may also be directed to an authorized reseller or a person authorized by Kramer Electronics to repair the product.

If it is decided that this product should be returned directly to Kramer Electronics, this product should be properly packed, preferably in the original carton, for shipping. Cartons not bearing a return authorization number will be refused.

Limitation on Liability

THE MAXIMUM LIABILITY OF KRAMER ELECTRONICS UNDER THIS LIMITED WARRANTY SHALL NOT EXCEED THE ACTUAL PURCHASE PRICE PAID FOR THE PRODUCT. TO THE MAXIMUM EXTENT PERMITTED BY LAW, KRAMER ELECTRONICS IS NOT RESPONSIBLE FOR DIRECT, SPECIAL, INCIDENTAL OR CONSEQUENTIAL DAMAGES RESULTING FROM ANY BREACH OF WARRANTY OR CONDITION, OR UNDER ANY OTHER LEGAL THEORY. Some countries, districts or states do not allow the exclusion or limitation of relief, special, incidental, consequential or indirect damages, or the limitation of liability to specified amounts, so the above limitations or exclusions may not apply to you.

Exclusive Remedy

TO THE MAXIMUM EXTENT PERMITTED BY LAW, THIS LIMITED WARRANTY AND THE REMEDIES SET FORTH ABOVE ARE EXCLUSIVE AND IN LIEU OF ALL OTHER WARRANTIES, REMEDIES AND CONDITIONS, WHETHER ORAL OR WRITTEN, EXPRESS OR IMPLIED. TO THE MAXIMUM EXTENT PERMITTED BY LAW, KRAMER ELECTRONICS SPECIFICALLY DISCLAIMS ANY AND ALL IMPLIED WARRANTIES, INCLUDING, WITHOUT LIMITATION, WARRANTIES OF MERCHANTABILITY AND FITNESS FOR A PARTICULAR PURPOSE. IF KRAMER ELECTRONICS CANNOT LAWFULLY DISCLAIM OR EXCLUDE IMPLIED WARRANTIES UNDER APPLICABLE LAW, THEN ALL IMPLIED WARRANTIES COVERING THIS PRODUCT, INCLUDING WARRANTIES OF MERCHANTABILITY AND FITNESS FOR A PARTICULAR PURPOSE, SHALL APPLY TO THIS PRODUCT AS PROVIDED UNDER APPLICABLE LAW.

IF ANY PRODUCT TO WHICH THIS LIMITED WARRANTY APPLIES IS A "CONSUMER PRODUCT" UNDER THE MAGNUSON-MOSS WARRANTY ACT (15 U.S.C.A. §2301, ET SEQ.) OR OTHER APPLICABLE LAW, THE FOREGOING DISCLAIMER OF IMPLIED WARRANTIES SHALL NOT APPLY TO YOU, AND ALL IMPLIED WARRANTIES ON THIS PRODUCT, INCLUDING WARRANTIES OF MERCHANTABILITY AND FITNESS FOR THE PARTICULAR PURPOSE, SHALL APPLY AS PROVIDED UNDER APPLICABLE LAW.

Other Conditions

This limited warranty gives you specific legal rights, and you may have other rights which vary from country to country or state to state.

This limited warranty is void if (i) the label bearing the serial number of this product has been removed or defaced, (ii) the product is not distributed by Kramer Electronics or (iii) this product is not purchased from an authorized Kramer Electronics reseller. If you are unsure whether a reseller is an authorized Kramer Electronics reseller, please visit our Web site at www.kramerelectronics.com or contact a Kramer Electronics office from the list at the end of this document.

Your rights under this limited warranty are not diminished if you do not complete and return the product registration form or complete and submit the online product registration form. Kramer Electronics thanks you for purchasing a Kramer Electronics product. We hope it will give you years of satisfaction.



For the latest information on our products and a list of Kramer distributors visit www.kramerelectronics.com where updates to this user manual may be found. We welcome your questions, comments and feedback.



Caution

Safety Warning:

Disconnect the unit from the power supply before opening/servicing.



P/N: 2900-000731



Rev: 3



Kramer Electronics, Ltd.

Web site: www.kramerelectronics.com

E-mail: info@kramereel.com

P/N: 2900-000731 REV 3