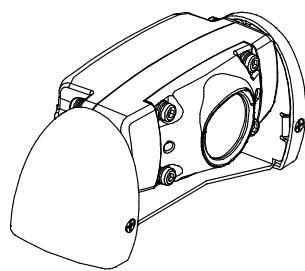


148x105mm



**Installation Instructions
Model ROSEC
Color Camera External Mount**

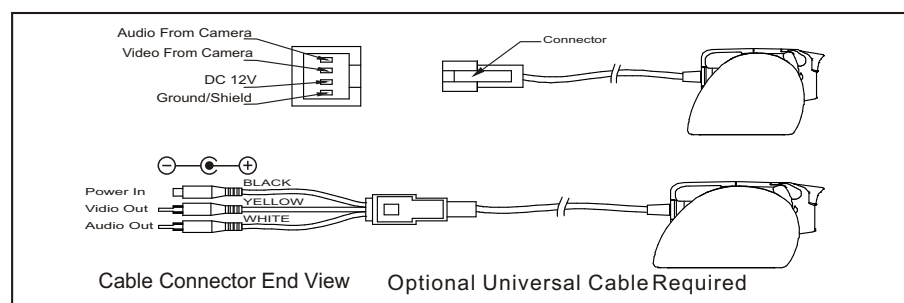
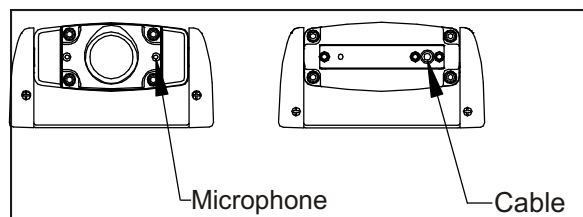


ROSEC FEATURES:

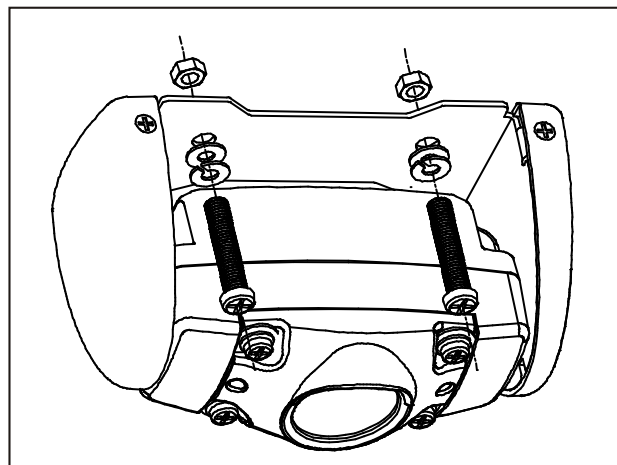
- High Resolution, 1/3" CCD Color Camera
- Compact ZINC Alloy Die Cast Body
- Waterproof Housing
- Waterproof microphone
- Adjustable Mounting Angle
- Wide Angle Lens

Contents:

1. Color Camera
2. Camera mounting Bracket
3. Bracket mounting screws and nuts



Camera Installations



2

Installation:

1. Locate suitable mounting location at rear of vehicle.
2. Use the camera mounting bracket as a template to mark the mounting hole locations.
3. Drill the appropriate size holes for mounting hardware you are using.
4. Attach the camera-mounting bracket to the vehicle with the lens shroud on topside. If lens shroud is on the bottom, then the camera must be removed from the bracket and turned 180 degrees and then reattached to the bracket.
5. Route the camera cable thru an existing grommet into the vehicle.
6. Connect the camera cable to the extension cable provided with the rear view mirror.
7. Route the extension cable up to the rearview mirror control box and plug the RJ 11 plug into the RJ11 jack.

3

Specification

1. 0.8 lux sensitivity
2. NTSC signal format
3. 1/3 " Sony CCD camera
4. 120 degree viewing angle
5. 330 Resolution
6. Outer dimension: 3 1/4"x2"x1 3/4"
7. Weight: 11oz.

4



For Customer Service
Visit Our Website At
Www.audiovox.com
Product Information, Photos,
FAQ's Owner's Manuals

© 2003 Audiovox Electronics Corp., 150 Marcus Blvd., Hauppauge, N.Y. 11788

128-6725