



# USER MANUAL

## LED PAR (LEDWJ-LP-1024, 24\*10W RGBAW)



---

Jiawen—Professional stage lighting

# Catalogue

summarization .....	1
safety instruction.....	1
outside size picture .....	2
main function .....	3
DMX control function .....	3
Display operation instruction .....	4
Menu instruction .....	5
Operating control instruction.....	8
XLR connection instruction.....	8
Connecting picture.....	9
Trouble shooting.....	9
Technical specification .....	11

Please read over this manual before operating the light

# 1. Summarization

## Ø Summarization

Thank you for purchasing our LED PAR light. Please read these instructions carefully before begin and operate the fixtures according to these instructions to avoid any possible damages and accidents causes by misuseage.

## Ø Products introduction

LED WJ-LP-1024 uses high strength temperature resistance aluminum die-casting shell. The light source adopts high power 5-in-1 10W LED, which refers to single LED is made of R,G,B,A,W LED. Long life span, low consumption, good color mixing effect and high brightness are the most prominent features. Each kind of LED can be independently dimmed. The built-in program includes dimming, strobe, eotic, gradual change, fading and so on. It uses power switch, performs low weight and consumption, stable capability and long life. International standard DMX 512 signal is requested.

## Ø Packing list

- ØLED WJ-LP-1024 light 1PC
- ØDMX signal cable 1PC(connect with DMX512 controller)
- Ø Waterproof input power cable 1 PC(with plug)
- ØThe User Manual
- ØWarranty Card

# 2. Safety Instruction

## Ø Safety Notes

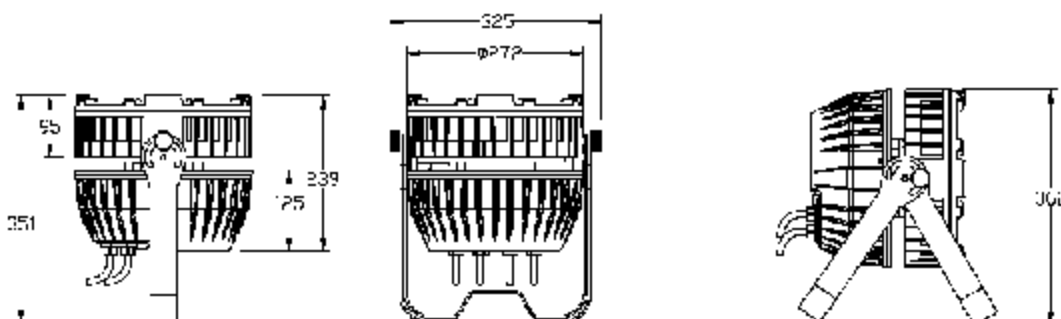
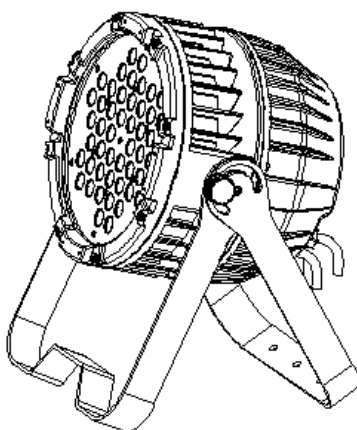
- ! Enquire the skilled people before any repair;
- ! Always make sure disconnect from the power source before setting up, serving and moving;.
- ! Avoid direct eye exposure to the fixture when it is on;



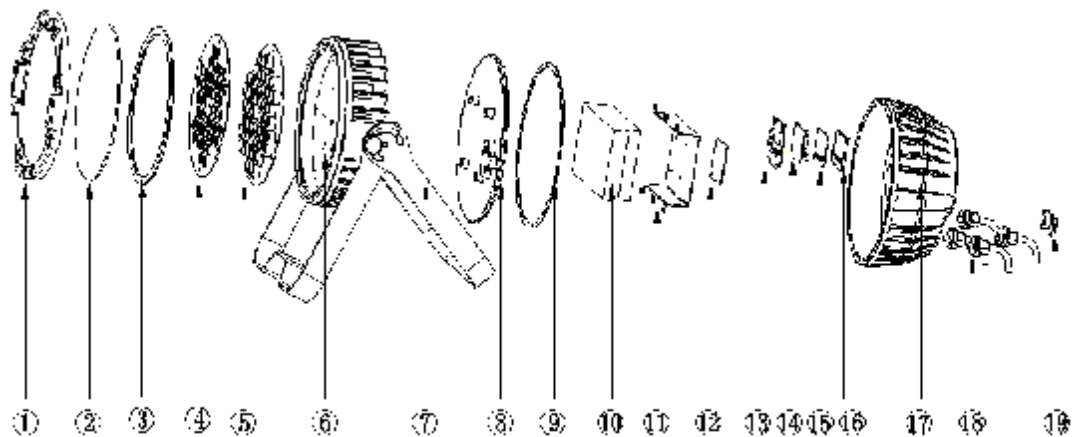
## Ø Safety instruction

- Make sure the power supply voltage are consistent with this lights, Ensure the use of voltage is in the range of the request technical parameter.
- Before the installation, please check the light's fasteners and mechanical structure have been received in good condition and appear no damage.
- This light is designed for indoor use; working temperature is lower than 50 degree.
- The fixtures maybe mounted in any position provided there is adequate room for ventilation. Make sure there are no inflammable and explosive items (ornaments) in 0.5 meters away.
- Yellow / green cabling earthing safety; no flicker when the fixture is working on.

## 3. outside Size Picture



## 4. structure



序号	名称	数量	备注
1	前盖	1	
2	玻璃	1	
3	玻璃防水胶圈	1	
4	透镜压板	1	
5	灯板	1	成品
6	灯头	1	
7	支架	1套	两件1套
8	底箱盖	1	
9	底箱防水胶圈	1	
10	电源	1	
11	电源主板架	1	
12	主板	1	成品
13	显示屏压板	1	
14	显示屏	1	成品
15	透明硅胶压片	1	
16	防水硅胶	1	
17	底箱	1	
18	线扣	4	
19	保险架	1	

## 5. Main Function

- ∅ high quality LED: low consumption, brightness, stable capability and long life
- ∅ each color of LED with 16666 dimming. The refresh rate is over 400Hz. Flicker free for video and TV
- ∅ RGBAW color mixing, fine and rich colors, good saturation
- ∅ Liner dimming from 0-100%, strobe, gradual change, jumping change etc effects
- ∅ DMX512 Controller, 4 button set DMX ID address with led display
- ∅ auto run /master slave/interconnected multi-machine control
- ∅ using switching power supply to protect the LED to work well
- ∅ Built-in temperature control function : The output of LED will be reduced when LED is too hot.
- ∅ lens degree: 25°、45° optional
- ∅ Protection grade: IP65
- ∅ DMX Channel, Optional

## 6. DMX Control Function

### ∅ DMX Channel (4CH)

Channel	DMX Value	Control Function	Remarks
1CH	0-255	RGB color mixing	Hue
2CH	0-255	A Dimming 0-100%	
3CH	0-255	W Dimming 0-100%	Color Saturation
4CH	0-255	General dimming 0-100%	purity

### ∅ DMX Channel (5CH)

Channel	DMX Value	Control Function	Remarks
1CH	0-255	R 0-100%	
2CH	0-255	G 0-100%	
3CH	0-255	B 0-100%	
4CH	0-255	A 0-100%	
5CH	0-255	W 0-100%	

### ∅ DMX Channel (9CH)

Channel	DMX Value	Control Function	Remarks	Priority
1CH	0-255	(General dimming)		1
2CH	0-255	Red dimming		

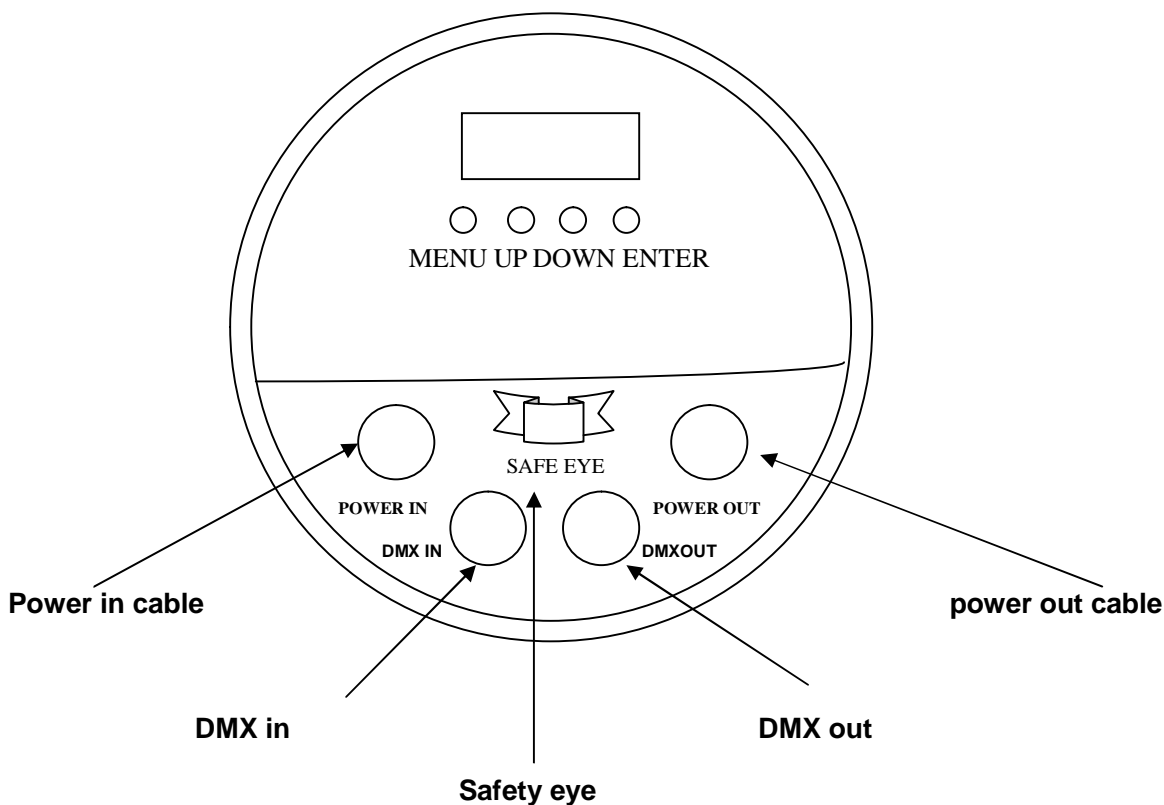
		0—100%		
3CH	0-255	Green dimming 0—100%		
4CH	0-255	Blue dimming 0—100%		
5CH	0-255	A 0-100%		
6CH	0-255	W 0-100%		
7CH	0-14	Dimming		2
	15-255	Strobe Speed		
8CH	0-31	Invalid	32-127, must use CH1,2,3,4,5CH, otherwise no light. From the 9CH, start the speed adjustment.	3
	32-63	From dark to bright		
	64-95	From bright to dark		
	96-127	From dark—bright—dark		
	128-164	RGB Gradient		
	165-191	dark—bright—dark auto run		
	192-223	colors jumping change		
	224-255	Sound control(random)		
9CH	0-255	Speed Adjustment, slow to fast		

### Ø DMX Channel (10CH)

Channel	DMX Value	Control Function	Remarks	Priority
1CH	0-255	(General dimming)		1
2CH	0-255	Red dimming 0—100%		
3CH	0-255	Green dimming 0—100%		
4CH	0-255	Blue dimming 0—100%		
5CH	0-255	A 0-100%		
6CH	0-255	W 0-100%		
7CH	0-14	Dimming		2
	15-255	Strobe Speed		
	0-31	Invalid	32-127, Must use CH1,2,3,4,5CH,	3
	32-63	From dark to bright		
	64-95	From bright to dark		

8CH	96-127	From dark—bright—dark	otherwise no light. From the 9CH, start the speed adjustment.
	128-164	RGB Gradient	
	165-191	dark—bright—dark auto run	
	192-223	colors jumping change	
	224-255	Sound control(random)	Not for waterproof light
9CH	0-255	Speed Adjustment, slow to fast	
10CH	0-5	Set by LED display	
	6-55	DIMMER0	
	56-105	DIMMER1	
	106-155	DIMMER2	
	156-205	DIMMER3	
	206-255	DIMMER4	

## 7. Display Operation



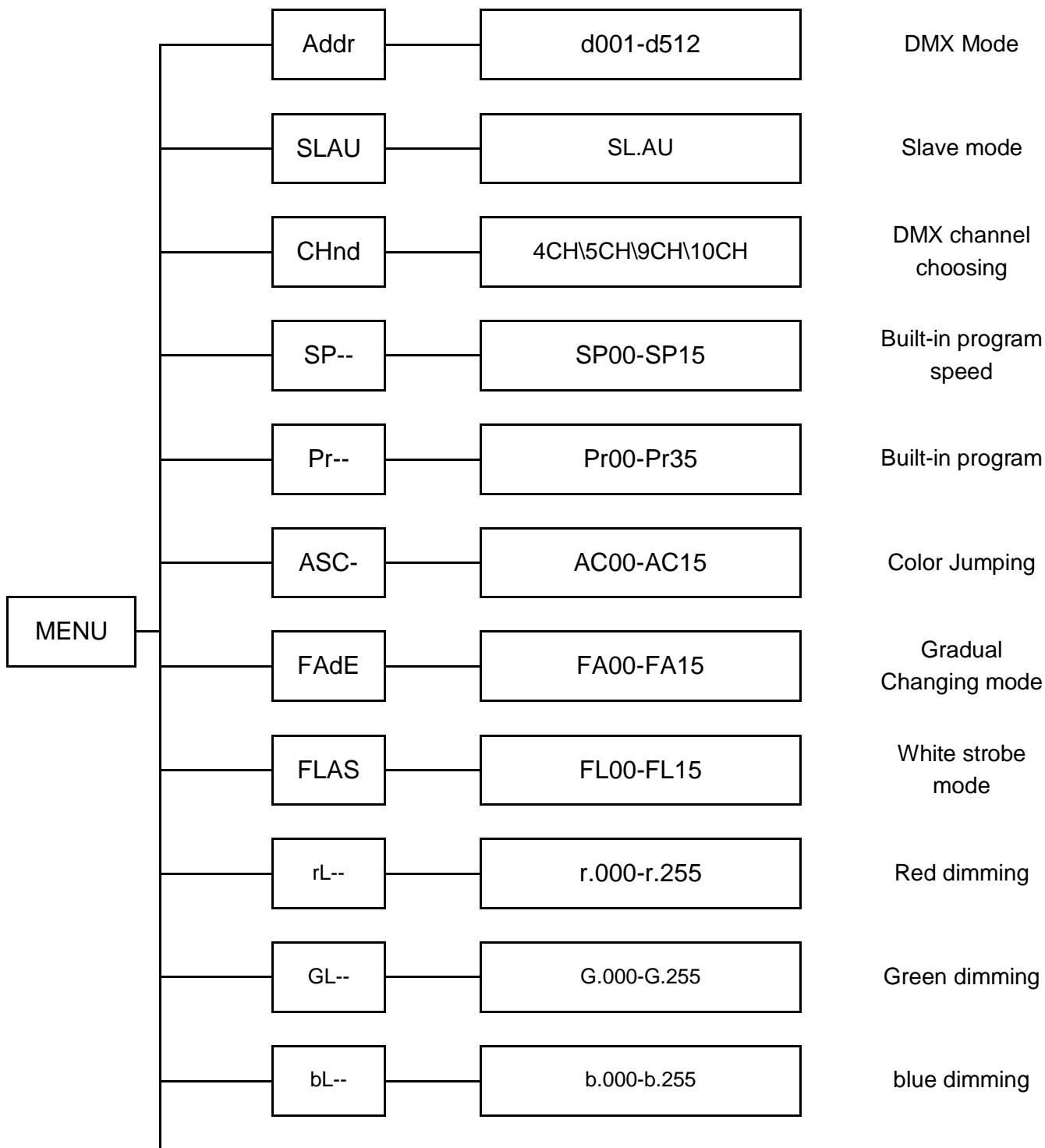
Ø MENU : access the menu or return to a previous menu option

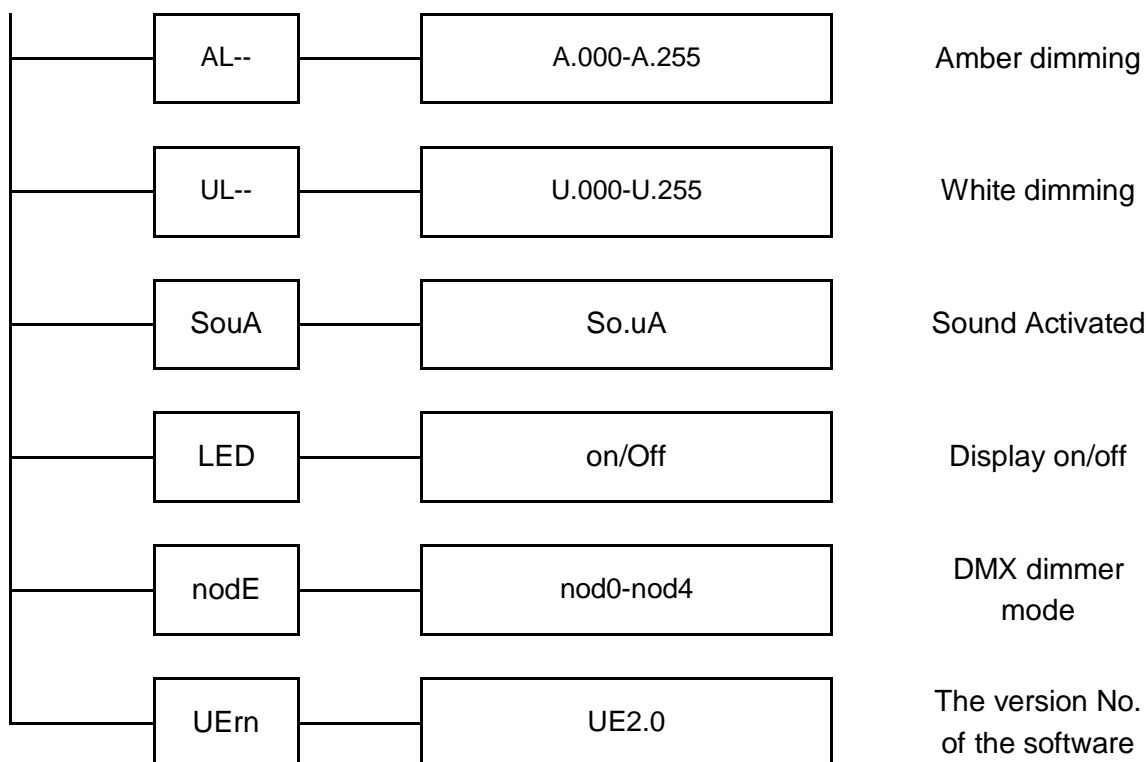


- ∅ ENTER: select the current menu option
- ∅ UP: menu selection or parameter increments
- ∅ DOWN: menu selection or parameters decrease

## 8. Menu Instruction

**Menu tree:**





### 1. Operating instruction:

MENU (UP/DOWN) +ENTER+UP/DOWN) +ENTER

Remark: Exp: Select the DMX mode, Here are the operation details:

- Ø Press the MENU, go back to the initial setting
- Ø Press UP/DOWN, display "Addr"
- Ø Press ENTER to change the content, the display will glinting at this moment
- Ø Press UP/DOWN to change the address code to select d001
- Ø Press ENTER to select and store the current menu options. DMX mode will be

stored automatically and the screen will stop glinting.

Ø Exp: Select DMX Channels optional mode, the operation is as below:

- Ø Press MENU, go back to the initial setting
- Ø Press UP/DOWN, display "CHnd"
- Ø Press ENTER to change the content, the display will glinting at this moment
- Ø Press UP/DOWN to select the DMX channels that you need, 4CH/5CH/9CH and so on
- Ø Press ENTER for 10 seconds to select and store the current menu options. DMX channel will be stored automatically and the screen will stop glinting.

Exp: turn off the display, the operation is as below:

- Ø Press MENU, go back to the initial setting
- Ø Press UP/DOWN, display "LED"
- Ø Press ENTER to change the content, the display will flash at this moment
- Ø Press UP/DOWN to select "OFF"
- Ø Press ENTER to confirm, then select the working mode that you need. When stop pressing, the display will turn off after a while. When the display is off, press any button to activate the display. If setting the led to "off", when stop pressing, the display will turn off after a while.

## 2、Details of program built inside (Pr- -)

Press MENU, go back to the initial setting

- Ø Press UP / DOWN until Pr--
- Ø Press ENTER to choose, the display will flash at this moment
- Ø Press UP / DOWN to change the address code to select pr00
- Ø Press ENTER to select and store the current menu options. DMX mode will be

stored automatically and the screen will stop flashing.

Remark: Pr32--- Pr35 Can change the content Of SP, correct the speed of jumping change , SP00 is the fastest, SP15 is the slowest

ØPr00-Pr31: R,G,B,A,W single color or multi-colors mixing

ØPr32: 5 colors jumping change

ØPr33: 5 colors jumping change +strobe

ØPr34: multiple colors jumping change

ØPr35: multiple colors jumping change +strobe

## 9. Operating Control Instruction

### Ø Master/Slave

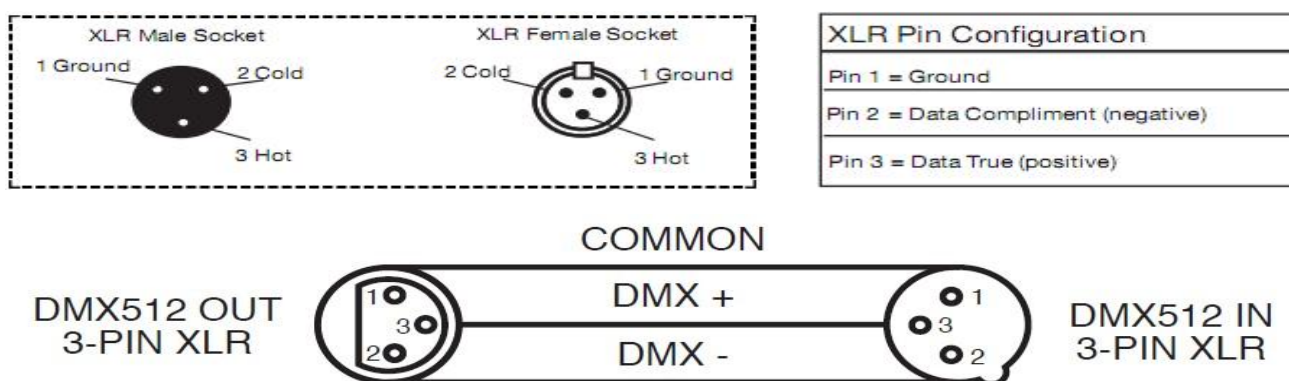
Master: The master should always work as a master as long as it is not set in a DMX mode whatever other modes it is. And it send out the signal so that the slave synchronous with it. To avoid the host signal and DMX512 signals interfere with each other, should cut off the DMX512 signals. The signal lines are longer than 60 meters (32 lamps) ,should increase a signal amplifier.

Slave: the Slave must be set in DMX mode and the address code should be A001, to assure receive the master's signals correctly. Only one light can be set as a Master and others are slaves.

## 10. XLR cable connecting

### Ø XLR cable:

The standard way of connecting the XLR is: one end connects to the male plug, and the other end connects to the female. As bellow: pin 1: ground, pin 2: negative signal, pin 3: positive signal



Noted: In order to avoid failures and interference signal transmission, we connect a resistance 120Ω ( 1/4W ) at the end of the DMX connecting as below:



Termination reduces signal errors and avoids signal transmission problems and interference. It is always advisable to connect a DMX terminal, (Resistance 120 Ohm 1/4 W) between PIN 2 (DMX-) and PIN 3 (DMX +) of the last fixture.

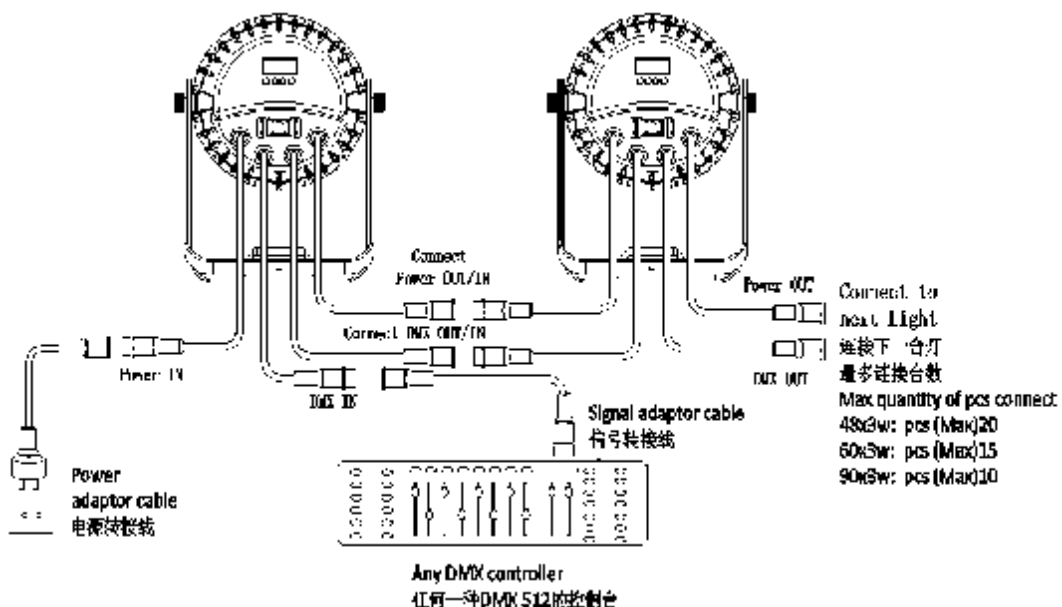
### Ø The Conversion between 3 pin and 5 pin XLR

If the output cable of DMX512 controller is the 5PIN, please use 1pc 5PIN to 3PIN cable

3-Pin XLR to 5-Pin XLR Conversion		
Conductor	3-Pin XLR Female (Out)	5-Pin XLR Male (In)
Ground/Shield	Pin 1	Pin 1
Data Compliment (- signal)	Pin 2	Pin 2
Data True (+ signal)	Pin 3	Pin 3
Not Used		Do Not Use
Not Used		Do Not Use

## 11. Connecting picture

### Ø Light connecting picture:



**Note: This product uses input and output power cord 2.5 m<sup>2</sup> copper core wire, power line in series, when 220V AC should less than 20lights, and 110V AC less than 10 lights!!!**

## 12. Trouble Shooting

Problem	Checking Way
Can not turn on the light	<ul style="list-style-type: none"> <li>⊞ Check the power source plug is in normal or not</li> <li>⊞ Check the switch of the lights is off or on</li> <li>⊞ Check the fuse if in normal</li> </ul>
DMX can not control it	<ul style="list-style-type: none"> <li>⊞ Check the DMX cable is connect to the lights or not</li> <li>⊞ Check the DMX512 controller work in normal or not</li> <li>⊞ Check the DMX cable is normal or not</li> <li>⊞ Check if the lights is in DMX mode (A001)</li> </ul>
Display not bright	<ul style="list-style-type: none"> <li>⊞ When connect to the electricity, did the led flash one time? If so, the power source is normal; If not, please check if the switch and the transformer has power out</li> <li>⊞ Check if the power input of the IC board is normal</li> </ul>

	<ul style="list-style-type: none"> <li>u Check if the cable connect to the display loose</li> <li>u Change the main board to see if it is normal.</li> <li>u Chang the display</li> </ul>
LED not light	<ul style="list-style-type: none"> <li>u When connect to the electricity, did the led flash one time? If so, the power source is normal; If not, please check if the switch and the transformer has power out</li> <li>u Check if the power input of the IC board is normal</li> <li>u Check if the cable connect to the display loose</li> <li>u Change the main board to see if it is normal.</li> <li>u Chang the display</li> </ul>
Some of the LED not light	<ul style="list-style-type: none"> <li>u LED is connected by leds in series first, then connect parallel, so please check if the leds is loose</li> <li>u Use the multimeter to check if the led is bright or not, of not, please change the led</li> <li>u check whether current limiting resistor is normal or not</li> <li>u Check constant current IC is normal or not (compared with the normal IC)</li> </ul>
Single color leds always bright/not bright	<ul style="list-style-type: none"> <li>u Check the switch of this color is normal or not</li> <li>u Change the IC control board</li> </ul>

Noted: only professional persons can do as above !

## 13. Technical Specification

- Input voltage: AC100-240V/50-60HZ
- Output voltage: DC48V
- Consume: 240W
- Lamp Type: High Power LED(10w)
- Lamp Spec: RGBAW 5-in-1 LED(24 pcs)
- Constant current drive: 500mA
- Refresh Rate: 400HZ
- Life Span: 50000~100000 hours
- Control Signal: DMX512, master and slaver
- Control mode: stand alone/ DMX/ master and slaver
- Channel: 4,5,9,10 CH
- Color effect: R, G, B, A, W color mixing
- Function Effect: dimmer, strobe, eotic, gradual change
- Beam Angle:25° / 45°
- Cooling mode: fan cooling(temperature controlled)
- Protection rate:IP65
- Anti-electricity intension: 1.5KV
- Insulation Resistance: > 2 MΩ
- Size: 325\*272\*351mm
- Net Weight: 13KG