



## Electric Griddles



Model #: FN-01, FN-02, FN-03

**Models:** EG16N, EG24N, EG30N

08/2015

***Please read and keep these instructions. Indoor use only.***

## Specifications

All units come with a 6 ft. commercial cord.

Model	Voltage	Power	Dimensions (LxWxH)	Temp. Range	Net Wt.	Shipping Wt.	Plug Type
EG16N	120V AC	1750W	16" x 19.75" x 9.5"	120°F - 570°F	52 lbs.	62 lbs.	NEMA 5-15P
EG24N	208V/240V	2675/3560W	24" x 19.75" x 9.5"	120°F - 570°F	80 lbs.	90 lbs.	NEMA 6-20P
EG30N	208V/240V	3375/4500W	30" x 19.75" x 9.5"	120°F - 570°F	87 lbs.	110 lbs.	NEMA 6-20P

## Safety

1. Ensure that the power supply you are using is adequate for continual griddle use and the voltage is correct.
2. Allow at least 8" of clearance around all sides.
3. Unplug the unit when not in use and before cleaning.
4. Do not immerse unit, cord or plug in liquid at any time.
5. Do not operate unattended.
6. Do not use this unit for anything other than its intended use.
7. Do not use outdoors.
8. Always use on a firm, dry and level surface.
9. Do not use if unit has a damaged cord or plug, in the event the appliance malfunctions, or has been damaged in any manner.
10. Any incorrect installation, alterations, adjustments and/or improper maintenance can lead to property loss and injury. All repairs should be done by authorized professionals.

## Instructions for First Time Use

**There is a thin layer of wax paper on top of the grill plate that must be removed prior to using the griddle.**

In order to protect the plates of your new grill during transportation, a layer of food-safe oil was coated on the surface prior to shipment. This oil is harmless, but must be removed before you begin to use. To remove, preheat the grill until the oil liquifies. Next, carefully wipe away the melted oil with a clean, soft cloth. Once all of the oil is removed you can begin to use your grill.

## Operation

1. Plug the power cord into the appropriate outlet. The red "Power" light will illuminate.
2. Set the desired temperature by turning the rotary temperature knob clockwise. The heating element will begin to heat up and the green "Heating" light will illuminate.
3. When the temperature reaches the desired setting, the green "Heating" light will cycle on and off with the heating element to maintain the set temperature.
4. For best results, allow the unit to preheat for 15 minutes before placing food on cooking surface.
5. Turn temperature knob to the "Off" position to turn the green "Heating" light and heating element off. You must unplug the unit for the red "Power light" to turn off.

## Transportation And Maintenance

During transportation, the machine should be handled with care.

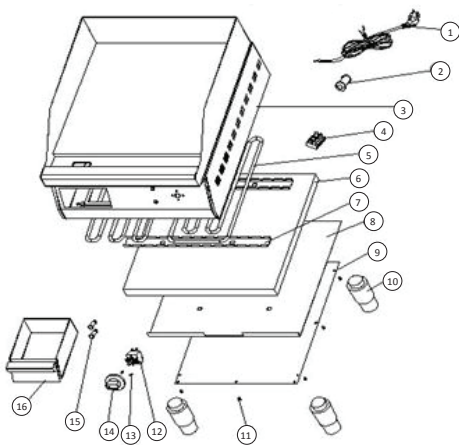
## Cleaning

Unplug the unit and allow it to cool before cleaning. Do not use abrasive cleaners or scouring pads. If soap or chemical cleaners are used, be sure they are completely rinsed away with clear water immediately after cleaning. Chemical residue could damage or corrode the surfaces of the unit.

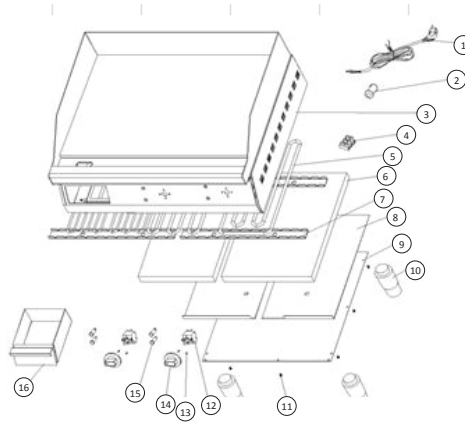


Attack tough grease, oil, and carbon with this ready to use decarbonizer and degreaser. Its unique formula is designed to clean ovens, grills, hoods and a wide variety of other surfaces.

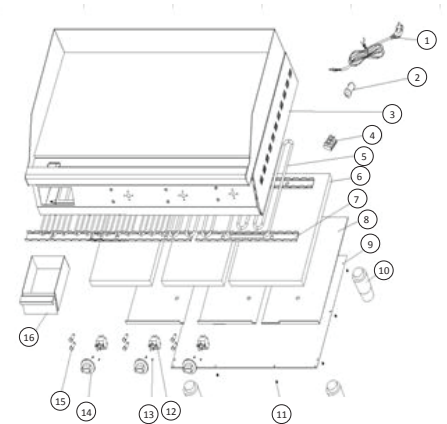
## Exploded Parts Diagram



**177EG16N**



**177EG24N**

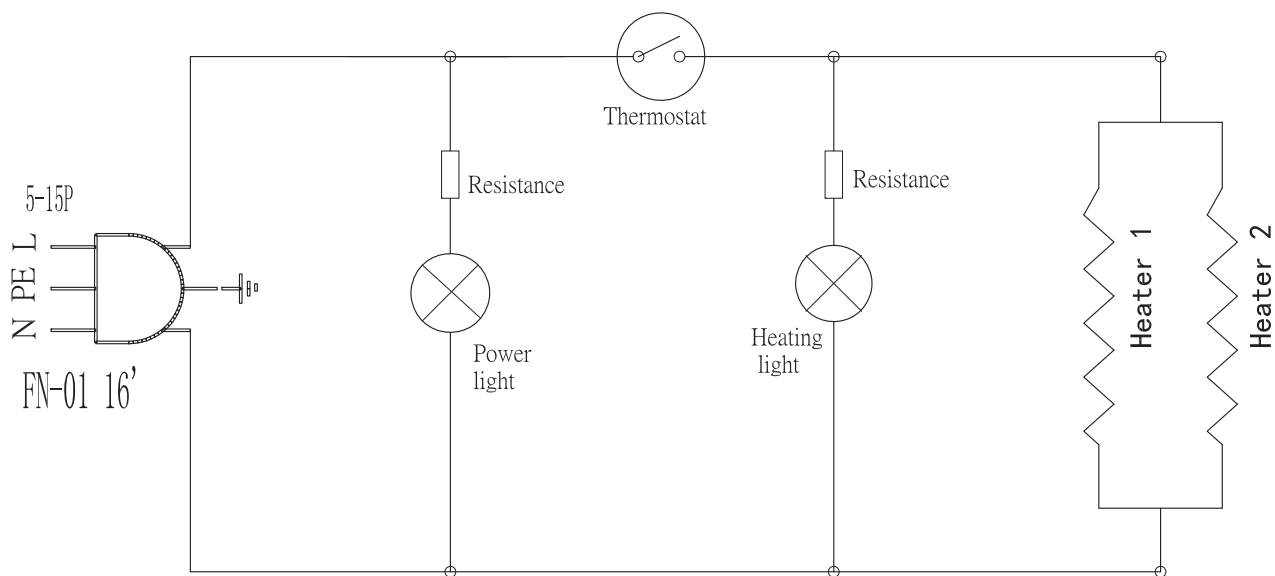


**177EG30N**

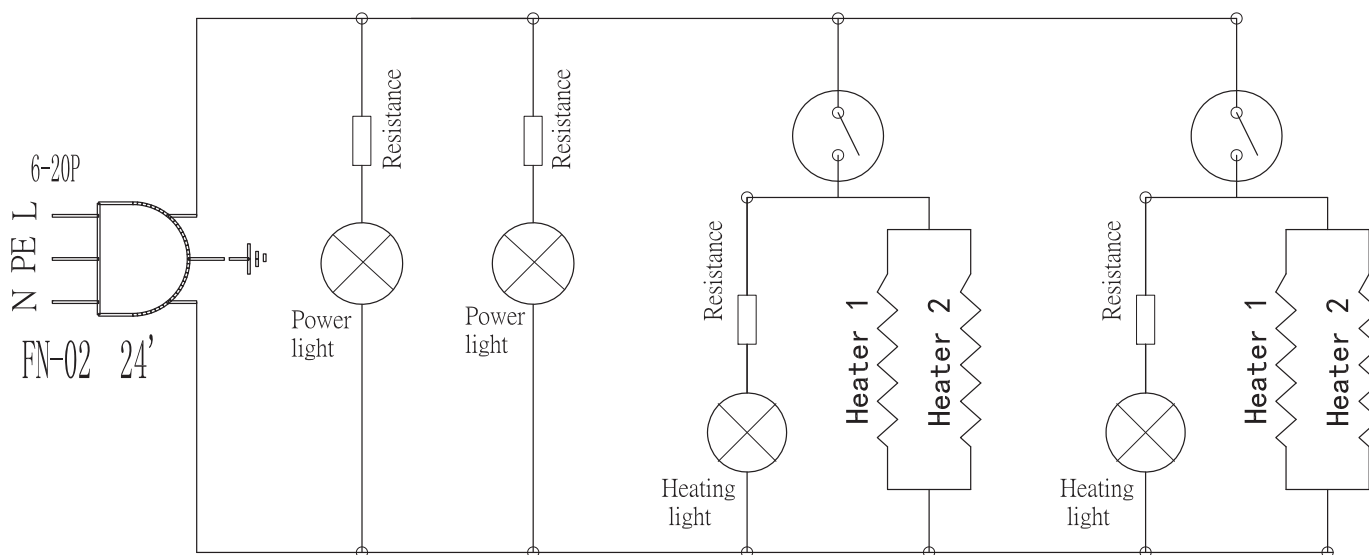
Description	Label	Item #	Compatible
Power Cord, 120V	1 & 2	177COPCORD	16"
Power Cord, 208/240V	1 & 2	177COPCORD2	24", 30"
Terminals	4		
16" Heating Element	5	177EGELEM16	16"
24" Heating Element	5	177EGELEM24	24"
30" Heating Element	5	177EGELEM30	30"
Insulation	6		
Heating Element Holder	7		
Insulation Board	8		
Bottom Plate	9		
S/S Legs	10	177EGLEG	ALL
Bottom Screws	11		
Thermostat & 2 Screws	12 & 13	177EGTHERM1	16"
Thermostat & 2 Screws	12 & 13	177EGTHERM2	24", 30"
Temperature Knob	14	177EGKNOB	ALL
Power Light (Red)	15	177COPLIGHT	ALL
Heating Light (Green)	15	177COWLIGHT	ALL
Grease Tray	16	177EGTRAY	ALL

## Circuit Diagrams

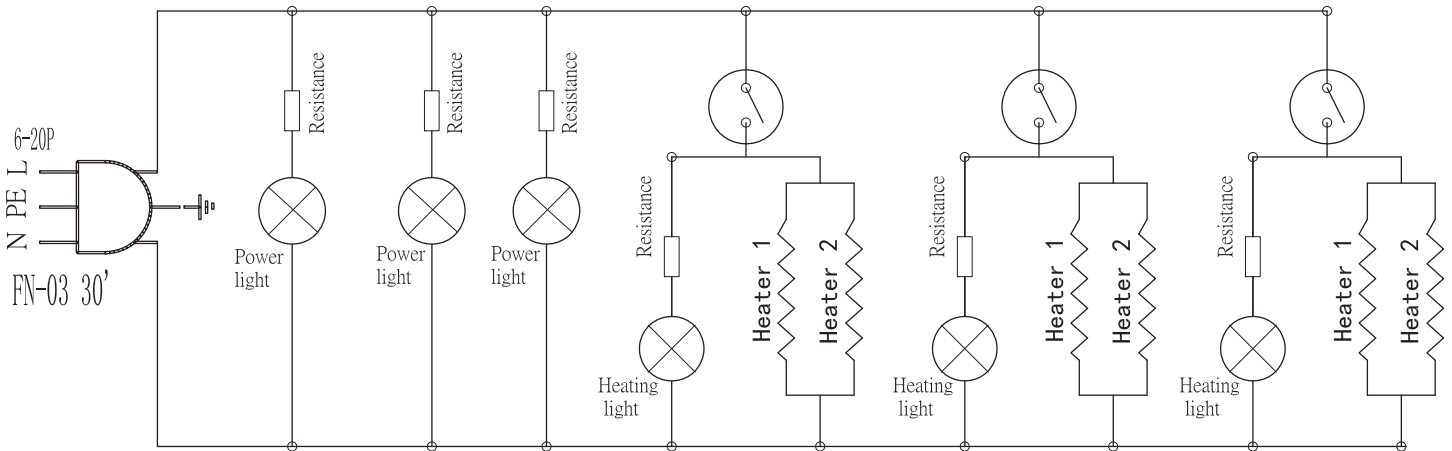
### EG16N



### EG24N



## EG30N



## Limited Warranty

All equipment, which is sold under Avantco trademark and used for commercial purpose is warranted against defects in materials and workmanship. The warranty runs for six months from the date of original installation and is for the benefit of the original purchaser only. All other Warranties, Expressed or Implied, Statutory or Otherwise, including Without Limitation any implied Warranty of Merchantability or Fitness for Purposes are excluded. The Seller shall in no event be liable for direct, indirect or consequential damages in connection with Avantco commercial products.

This warranty is not effective if damage occurs because of accident, carelessness, improper installation, lack of proper set-up, supervision when required or if the equipment is installed or operated in any manner contrary to the installation and operating instructions. Work performed by unauthorized personnel or unauthorized service agencies voids this Warranty.

This warranty does not apply to, and Avantco is not responsible for, any warranty claims made on products sold or used outside of the United States.