

PLATINUM BEAM 5R EXTREME™

user manual

ELATION | PLATINUM BEAM 5R EXTREME™ | user manual

©2015 **ELATION PROFESSIONAL** all rights reserved. Information, specifications, diagrams, images, and instructions herein are subject to change without notice. ELATION PROFESSIONAL logo and identifying product names and numbers herein are trademarks of ELATION PROFESSIONAL. Copyright protection claimed includes all forms and matters of copyrightable materials and information now allowed by statutory or judicial law or hereinafter granted. Product names used in this document may be trademarks or registered trademarks of their respective companies and are hereby acknowledged. All non-ELATION brands and product names are trademarks or registered trademarks of their respective companies.

ELATION PROFESSIONAL and all affiliated companies hereby disclaim any and all liabilities for property, equipment, building, and electrical damages, injuries to any persons, and direct or indirect economic loss associated with the use or reliance of any information contained within this document, and/or as a result of the improper, unsafe, insufficient and negligent assembly, installation, rigging, and operation of this product.

Elation Professional USA | 6122 S. Eastern Ave. | Los Angeles, CA. 90040
323-582-3322 | 323-832-9142 fax | www.elationlighting.com | info@elationlighting.com

Elation Professional B.V. | Junostraat 2 | 6468 EW Kerkrade, The Netherlands
+31 45 546 85 66 | +31 45 546 85 96 fax | www.elationlighting.eu | info@elationlighting.eu

DOCUMENT VERSION



Please check www.elationlighting.com for the latest revision/update of this manual.

Date	Document Version	Software Version	DMX Channel Modes	Notes
11/2/15	1	≥1.0.0	12/14/18	Updated manual format.

CONTENTS

General Information	4
Warranty	6
Safety Instructions	7
General Guidelines	8
Discharge Lamp Warning	9
Fixture Overview	10
Lamp Installation Instructions	11
Fixture Installation	19
Fixture Menu	22
WDMX Internal Wireless DMX Receiver Set Up	30
DMX Channel Functions And Values	32
Error Codes	35
Cleaning and Maintenance	36
Technical Specifications	37
Optional Accessories	39

GENERAL INFORMATION

INTRODUCTION

Congratulations, you have just purchased one of the most innovative and reliable lighting fixtures on the market today! The fixture has been designed to perform reliably for years when the guidelines in this booklet are followed. Please read and understand the instructions in this manual carefully and thoroughly before attempting to operate this unit. These instructions contain important information regarding safety during use and maintenance.

UNPACKING

Every fixture has been thoroughly tested and has been shipped in perfect operating condition. Carefully check the shipping carton for damage that may have occurred during shipping. If the carton appears to be damaged, carefully inspect your unit for damage and be sure all accessories necessary to operate the unit have arrived intact. In the event damage has been found or parts are missing, please contact our customer support team for further instructions. Please do not return this unit to your dealer without first contacting customer support at the number listed below. Please do not discard the shipping carton in the trash. Please recycle whenever possible.

CUSTOMER SUPPORT

Elation Professional® provides a customer support line, to provide set up help and to answer any question should you encounter problems during your set up or initial operation. You may also visit us on the web at www.elationlighting.com for any comments or suggestions. For service related issue please contact Elation Professional®.

ELATION SERVICE USA - Monday - Friday 8:00am to 5:00pm PST

Voice: 323-582-3322

Fax: 323-832-9142

E-mail: support@elationlighting.com

ELATION SERVICE EUROPE - Monday - Friday 08:30 to 17:00 CET

Voice: +31 45 546 85 30

Fax: +31 45 546 85 96

E-mail: support@elationlighting.eu

WARRANTY REGISTRATION

Please complete and mail in the enclosed warranty card or register online: <http://www.elationlighting.com/Login.aspx> to validate your purchase. All returned service items whether under warranty or not, must be freight pre-paid and accompany a return authorization (R.A.) number. The R.A. number must be clearly written on the outside of the return package. A brief description of the problem as well as the R.A. number must also be written down on a piece of paper and included in the shipping container. If the unit is under warranty, you must provide a copy of your proof of purchase invoice. Items returned without a R.A. number clearly marked on the outside of the package will be refused and returned at customer's expense. You may obtain a R.A. number by contacting customer support.



IMPORTANT NOTICE!

There are no user serviceable parts inside this unit. Do not attempt any repairs yourself; doing so will void your manufactures warranty. Damages resulting from modifications to this fixture and/or the disregard of safety and general user instructions found in this user manual void the manufactures warranty and are not subject to any warranty claims and/or repairs.

LIMITED WARRANTY

A. Elation Professional® hereby warrants, to the original purchaser, Elation Professional® products to be free of manufacturing defects in material and workmanship for a period of two years (730 days), and Elation Professional® product rechargeable batteries to be free of manufacturing defects in material and workmanship for a period of six months (180 days), from the original date of purchase. This warranty excludes discharge lamps and all product accessories. This warranty shall be valid only if the product is purchased within the United States of America, including possessions and territories. It is the owner's responsibility to establish the date and place of purchase by acceptable evidence, at the time service is sought.

B. For warranty service, send the product only to the Elation Professional® factory. All shipping charges must be pre-paid. If the requested repairs or service (including parts replacement) are within the terms of this warranty, Elation Professional® will pay return shipping charges only to a designated point within the United States. If any product is sent, it must be shipped in its original package and packaging material. No accessories should be shipped with the product. If any accessories are shipped with the product, Elation Professional® shall have no liability what so ever for loss and/or or damage to any such accessories, nor for the safe return thereof.

C. This warranty is void if the product serial number and/or labels are altered or removed; if the product is modified in any manner which Elation Professional® concludes, after inspection, affects the reliability of the product; if the product has been repaired or serviced by anyone other than the Elation Professional® factory unless prior written authorization was issued to purchaser by Elation Professional®; if the product is damaged because not properly maintained as set forth in the product instructions, guidelines and/or user manual.

D. This is not a service contract, and this warranty does not include any maintenance, cleaning or periodic check-up. During the periods as specified above, Elation Professional® will replace defective parts at its expense, and will absorb all expenses for warranty service and repair labor by reason of defects in material or workmanship. The sole responsibility of Elation Professional® under this warranty shall be limited to the repair of the product, or replacement thereof, including parts, at the sole discretion of Elation Professional®. All products covered by this warranty were manufactured after January 1, 1990, and bare identifying marks to that effect.

E. Elation Professional® reserves the right to make changes in design and/or performance improvements upon its products without any obligation to include these changes in any products theretofore manufactured.

F. No warranty, whether expressed or implied, is given or made with respect to any accessory supplied with the products described above. Except to the extent prohibited by applicable law, all implied warranties made by Elation Professional® in connection with this product, including warranties of merchantability or fitness, are limited in duration to the warranty periods set forth above. And no warranties, whether expressed or implied, including warranties of merchantability or fitness, shall apply to this product after said periods have expired. The consumer's and/or dealer's sole remedy shall be such repair or replacement as is expressly provided above; and under no circumstances shall Elation Professional® be liable for any loss and/or damage, direct and/or consequential, arising out of the use of, and/or the inability to use, this product.

G. This warranty is the only written warranty applicable to Elation Professional® products and supersedes all prior warranties and written descriptions of warranty terms and conditions heretofore published.

SAFETY INSTRUCTIONS



This fixture is an extremely sophisticated piece of electronic equipment. To guarantee a smooth operation, it is important to follow the guidelines in this manual. The manufacturer of this device will not accept responsibility for damages resulting from the misuse of this fixture due to the disregard of the information printed in this manual.



This device falls under **PROTECTION CLASS 1**. It's essential this device be grounded properly. Only qualified personnel should perform all electrical connections.



I N D O O R S U S E O N L Y !
DO NOT EXPOSE FIXTURE RAIN AND MOISTURE!



UNPLUG POWER BEFORE SERVICING FIXTURE!
DO NOT PLUG FIXTURE INTO A DIMMER PACK!
NEVER TOUCH FIXTURE DURING OPERATION, AS IT MAY BE HOT!



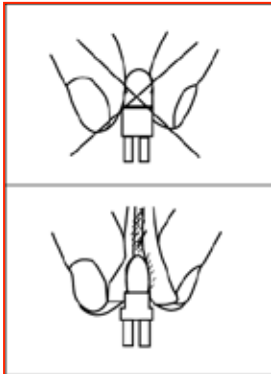
NEVER LOOK DIRECTLY INTO THE LIGHT SOURCE!
SENSITIVE PERSONS MAY SUFFER AN EPILEPTIC SHOCK!

- For proper operation, follow the **Installation** guidelines described in this manual. Only qualified and certified personnel should perform installation of this fixture and only the original rigging parts (brackets) included with this fixture should be used for installation. Any modifications will void the original manufacturer's warranty and increase the risk of damage and/or personal injury.
- Never look directly into the light source of this fixture to prevent risk of injury to your retina, which may induce blindness. Those suffering from **EPILEPSY** should avoid looking directly into the light source of this unit at all times.
- The fan and air inlets must remain clean and never blocked. Allow approx. 6" (15cm) between this fixture and other devices or a wall for proper cooling.
- Always disconnect from main power source before performing any type of service and/or cleaning procedure. Only handle the power cord by the plug end, never pull out the plug by tugging the wire portion of the cord.
- Do not operate this fixture if the power cord has become frayed, crimped and/or damaged. If the power cord is damaged, replace it immediately with a new one of similar power rating.

GENERAL GUIDELINES


- **NEVER OPEN THIS FIXTURE WHILE IN USE!**
- During the initial operation of this fixture, a light smoke or smell may emit from the interior of the fixture. This is a normal process and is caused by excess paint in the interior of the casing burning off from the heat associated with the lamp and will decrease gradually over time.
- This fixture is a professional lighting effect designed for **INDOOR / DRY LOCATIONS ONLY** on stage, in nightclubs, theatres, etc.
- Please make sure there are **NO FLAMMABLE MATERIALS** close to the fixture while operating, to prevent any fire hazard.
- The fixture must be installed in a location with adequate ventilation, at least 1.5 feet (.5m) from adjacent surfaces. Be sure no air ventilation slots are blocked.
- **DO NOT** attempt installation and/or operation without knowledge how to do so.
- **DO NOT** permit operation by persons who are not qualified to operate this type of fixture. Most damages are the result of operations by nonprofessionals.
- Consistent operational breaks may ensure the fixture will function properly for many years to come.
- **DO NOT** shake fixture, avoid brute force when installing and/or operating fixture.
- Always install the fixture with an appropriate safety cable. When installing the fixture in a suspended environment, always use mounting hardware that is no less than M10 x 25 mm, also be sure the hardware is insert in the pre-arranged screw holes in the bracket of the fixture.
- Use the original packaging and materials to transport the fixture in for service.
- **DO NOT TOUCH** the housing bare-hand during its operation. Turn OFF the power and allow approximately 15 minutes for the fixture to cool down before replacing or serving.

DISCHARGE LAMP WARNING



This fixture is fitted with a DISCHARGE LAMP, which is highly susceptible to damage if improperly handled. NEVER touch the lamp with your bare hands, as the oil from your hands will shorten the life of the lamp. Also, NEVER move the fixture until the lamp has had ample time to cool. Lamps are NOT covered under warranty conditions.

Avoid switching the fixture ON and OFF repeatedly in short intervals, as this will reduce lamp life and intensity. To achieve the intensity associated with discharge lamps, these lamps use gas sealed in a high-pressure environment to emit a brilliant output.

 Due to the high pressure involved with the construction of the lamp, the lamp **MAY EXPLODE DURING PROLONGED EXTENSIVE USE**. This risk is increased with age; added care is encouraged when dealing with older lamps. Thus, the lamp must always be replaced at the end of their recommended duty cycle. Extreme caution should be used when operating this or any fixture fitted with a gas discharge lamp.



U V R A D I A T I O N N O T I C E

This fixture emits intense UV radiation, which is harmful to the eyes and skin. The intense luminance of the lamp can cause severe damage to the retina. NEVER operate this fixture with ANY of the protective covers removed. These covers have been specially designed to shield against UV radiation.

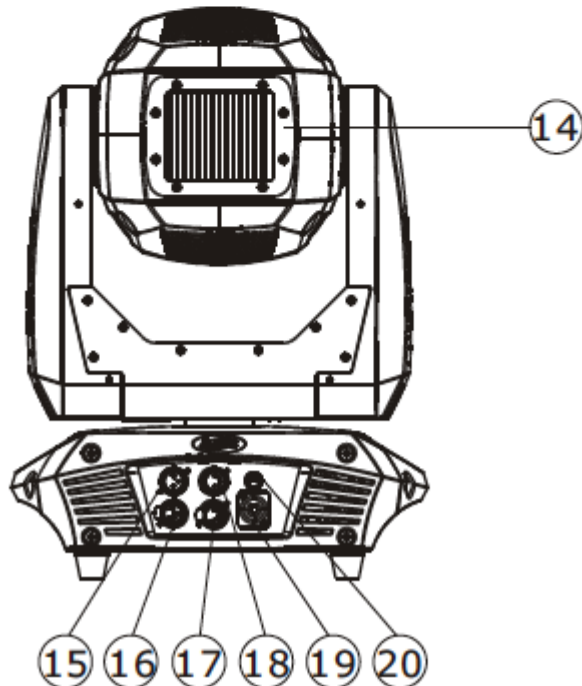
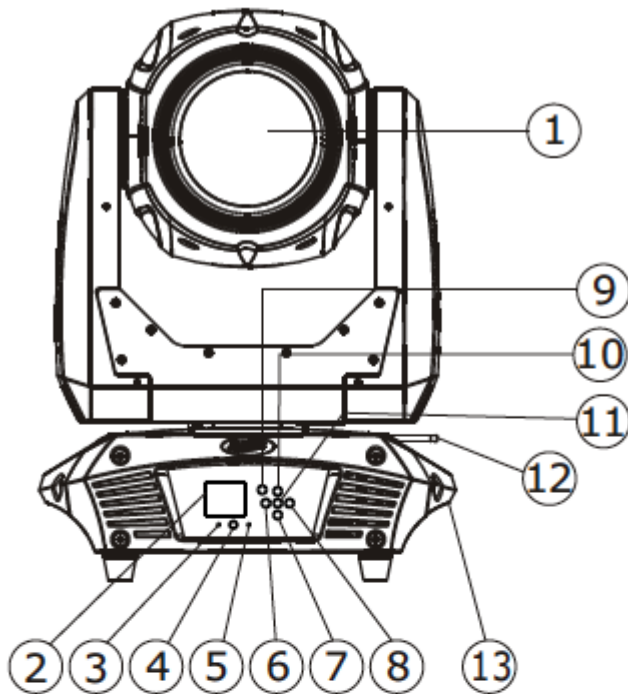


L A M P R E P L A C E M E N T

Please note that due to the nature of the Philips™ Platinum 5R Lamp and the optical path of the Elation PLATINUM BEAM 5R EXTREME fixture, the lamp **MUST BE** replaced at 2,000 hours.

Use only Genuine Original Philips™ platinum lamps. Other brand lamps may cause damage and void warranty!

FIXTURE OVERVIEW



1. LED Assembly
2. LCD Menu Function Display
3. Wireless DMX Indicator
4. DC Switch
5. Microphone
6. LEFT Button
7. DOWN Button
8. RIGHT Button
9. MODE/ESC Button
10. UP Button
11. ENTER Button
12. Wireless DMX Antenna
13. Carrying Handle(s)
14. Lamp Access/Cover Panel
15. 3pin DMX Input
16. 3pin DMX Output
17. 5pin DMX Output
18. 5pin DMX Input
19. powerCON Input
20. Fuse

LAMP INSTALLATION INSTRUCTIONS



LAMP REPLACEMENT

Please note that due to the nature of the Philips™ Platinum 5R Lamp and the optical path of the Elation PLATINUM BEAM 5R EXTREME fixture, the lamp **MUST BE** replaced at 2,000 hours.

Use only Genuine Original Philips™ Platinum 5R Lamps. Other brand lamps may cause damage and void warranty!

INSTALLING OR REPLACING THE LAMP

To ensure a proper/safe lamp change, carefully read all the following instructions.

LAMP PROTECTION CIRCUITRY

Because of the nature of the extreme heat associated with the **Philips Platinum 5R** lamp and the tight nature of the internal optical system, it is **IMPERATIVE** that the lamp be replaced every **2,000 Hours**. This is done to protect the internal optical system as well as prevent accidental lamp explosion, which could lead to hot glass particles falling from the fixture.



FAILURE TO CHANGE THE LAMP WITHIN 300 HOUR of the 2,000 HOUR RATED LIFE, WILL CAUSE THE FIXTURE TO AUTOMATICALLY SHUT DOWN!

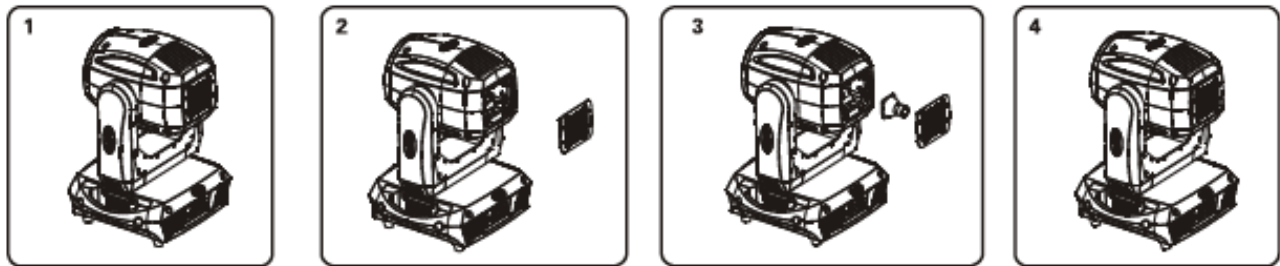
At **2,000 Hours** the LCD control display will begin to flash, **“Replace The Lamp”** and the lamp will flicker for the first five minutes of operation. At this point the lamp has reached the maximum rated life and should be replaced immediately. After the lamp has flickered for about five minutes it should strike normally allowing the fixture to be used temporarily until a replacement lamp can be installed. The fixture will continue to operate for an additional 300 hours, however the **“Replace the Lamp”** warning will continue to flash in the display. Keep in mind that the flicker protection circuitry will only work for about 300 Hours (lamp clock life of 2,000-2,300 Hours).

After 2,300 Hours the fixture will no longer respond to DMX commands and immediately enter a hibernation mode that will electronically discontinue all fixture functionality with the exception of a few menu commands. The fixture will continue to enter hibernation mode until the lamp is replaced and the lamp clock has been reset. To replace the lamp follow the safety guidelines and procedures listed on the next page.

LAMP SAFETY INSTRUCTIONS

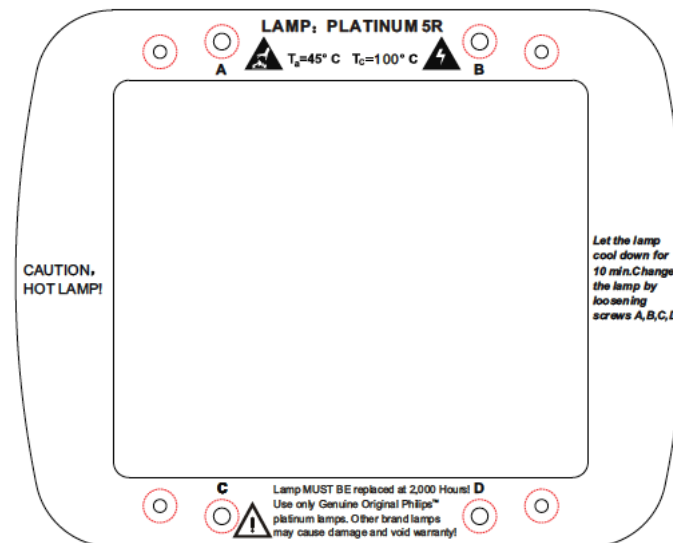
- **ALWAYS** replace lamp every 2,000 Hours.
- Use only Genuine Original Philips™ Platinum 5R lamps. Other brand lamps may cause damage and void the warranty!
- NEVER touch the lamp with your bare hands, as the oil from your hands will shorten the life of the lamp.
- Always disconnect the fixture's main power supply before replacing lamp.
- Allow fixture to cool for at least 15 minutes before attempting any type of service.
- Make sure ALL covers/panels are replaced/secured before operating the fixture to prevent any risk and/or damage to eye retina from UV Radiation exposure!

LAMP INSTALLATION PROCEDURE



1. Place fixture on a flat surface and remove (4) screws marked "A", "B", "C", and "D" and then remove rear cover plate (see image below) to access the lamp.

LAMP COVER PLATE



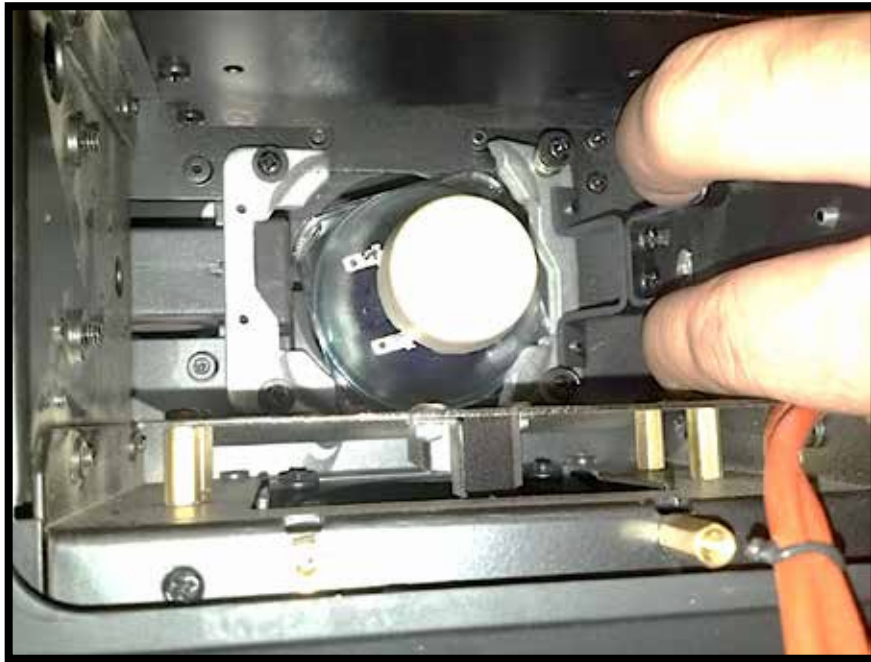
2. Gently remove **(2) Wires** connected to spade terminals on base of lamp.



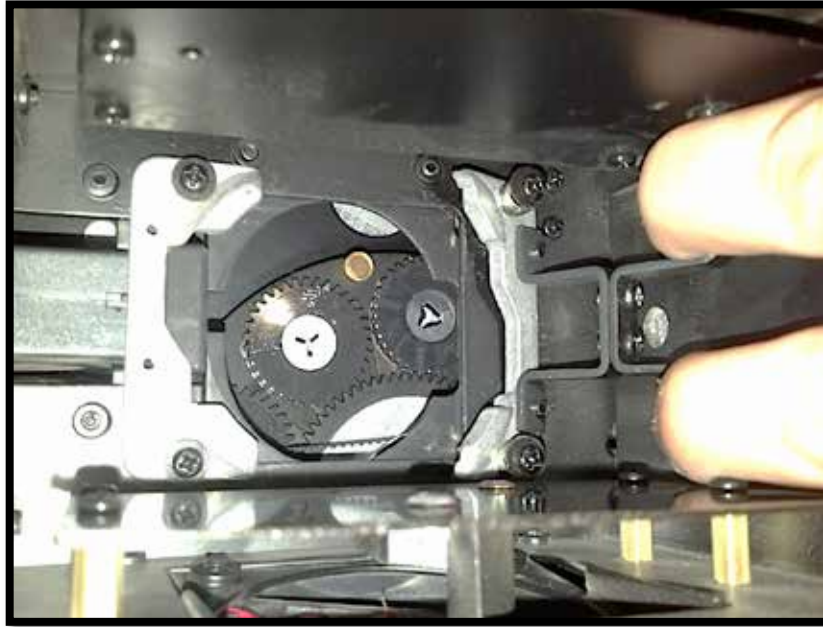
3. Using two fingers on your **RIGHT** hand, pull the retention handle **OUT** and towards the **RIGHT** as far as possible.



4. While pulling the retention handle with your **RIGHT** hand, use your **LEFT** hand to gently twist the lamp **COUNTERCLOCKWISE** to remove it from under the retention brackets.



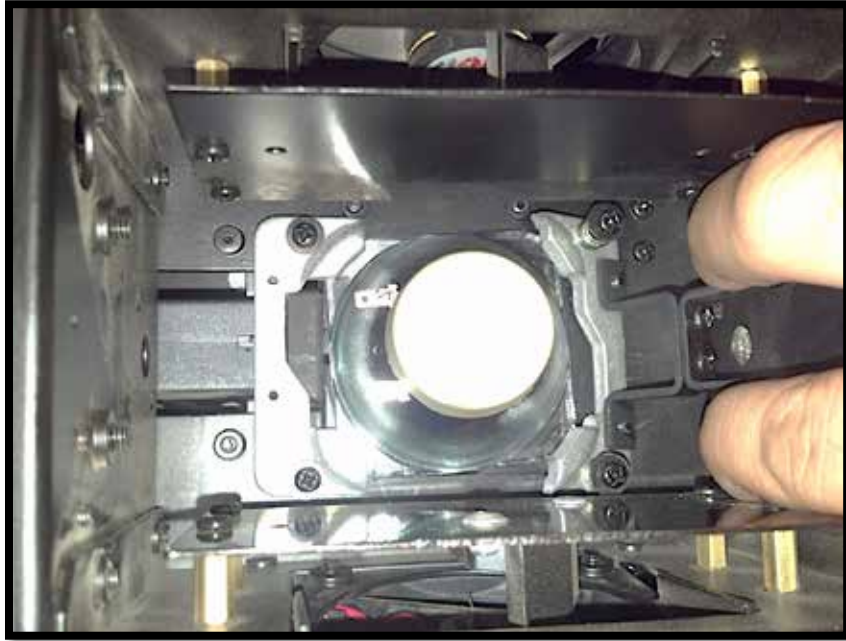
- Using two fingers on your **RIGHT** hand, pull the retention handle **OUT** and towards the **RIGHT** as far as possible.



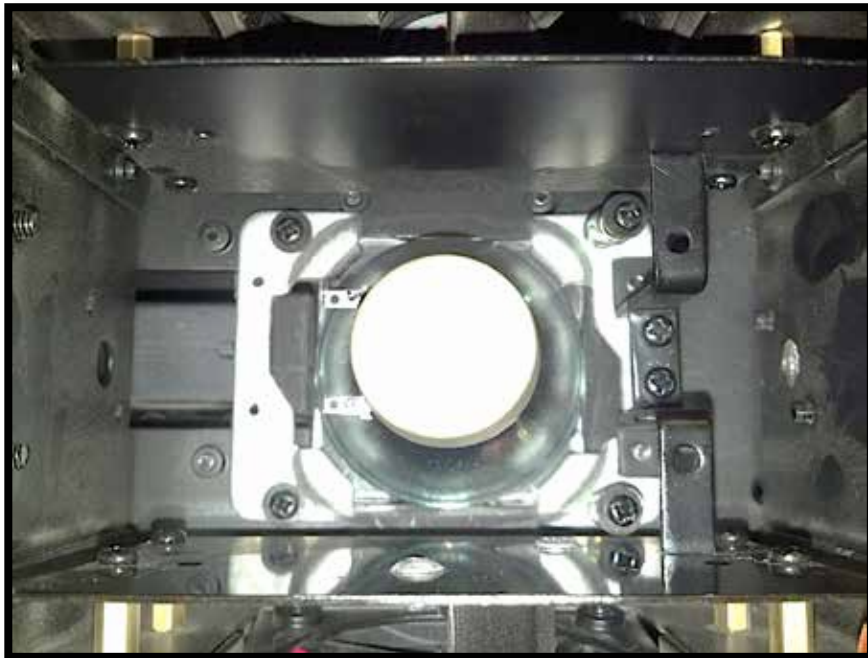
- While pulling the retention handle with your **RIGHT** hand, use your **LEFT** hand to gently install the lamp under the retention brackets by holding the lamp at a slight angle and positioning it until it is flush with the base.



7. While still holding the retention handle with your **RIGHT** hand, gently turn the lamp **CLOCKWISE** with your **LEFT** hand until the lamp is correctly aligned under the retention brackets.



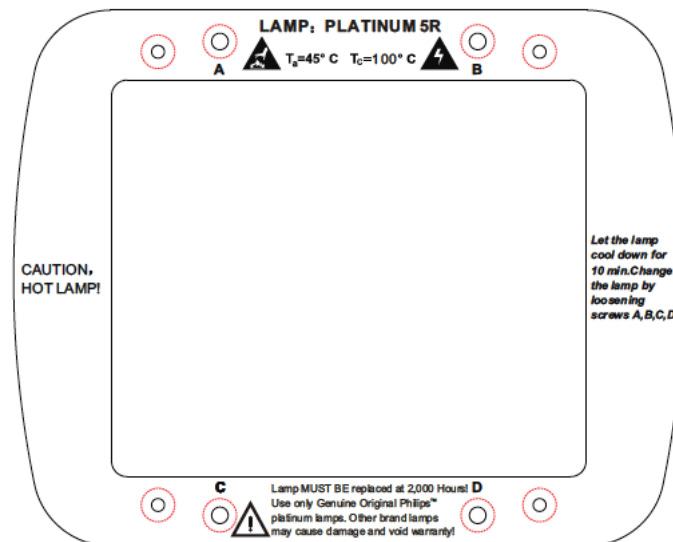
8. Release the retention handle with your **RIGHT** hand and make sure the handle is upright and not at an angle.



9. Gently attached **(2) Wires** connected to spade terminals on base of lamp.



10. Replace the lamp cover back into place by securing **(4) screws** marked **“A”**, **“B”**, **“C”**, and **“D”**.



11. Be sure to reset the **LAMP HOURS** in the system menu to prevent the protection circuitry from accidentally shutting off the lamp during normal operation.
12. If the lamp protection circuitry has already been initiated and the **LAMP HOURS** is not reset, the **“Replace the Lamp”** warning will continue to flash and fixture will eventually shut down. To reset **LAMP HOURS**, see instructions on the next page.

LAMP HOURS RESET PROCEDURE

1. Activate the main menu by pressing **MODE/ESC** and toggle to **“Information”**.
2. Press **ENTER** and press **UP** or **DOWN** to toggle to **“Time Information”**.
3. Press **UP** or **DOWN** to toggle to **“L-Timer Password”** and press **ENTER**. Then press **UP** or **DOWN** to enter the reset pass code, **“038”** and press **ENTER** to confirm. The display will automatically revert to **“L-Timer Password”**, next press **UP** or **DOWN** to toggle down to **“Clear Lamp Time”**.
4. Press **ENTER** and select **“ON”**. The lamp timer has now been reset, press **MODE/ESC** to exit the menu and return to the home screen.

LAMP OPTIMIZATION

Unlike traditional discharge lamps the **Philips™ Platinum 5R PRO Lamp** does **NOT** require optimization. The lamp orientation and optimization procedure has been preset during the manufacturing process of the lamp.

Please remember the **Philips™ Platinum 5R PRO Lamp** is **NOT** a hot-restrike lamp therefore, you must wait approximately **15 minutes** before you can attempt to restrike the lamp once it has been turned off.

FIXTURE INSTALLATION



FLAMMABLE MATERIAL WARNING

Keep fixture at least 5.0 ft (1.5m) away from any flammable materials, decorations, pyrotechnics, etc.



ELECTRICAL CONNECTIONS

A qualified electrician should be used for all electrical connections and/or installations.

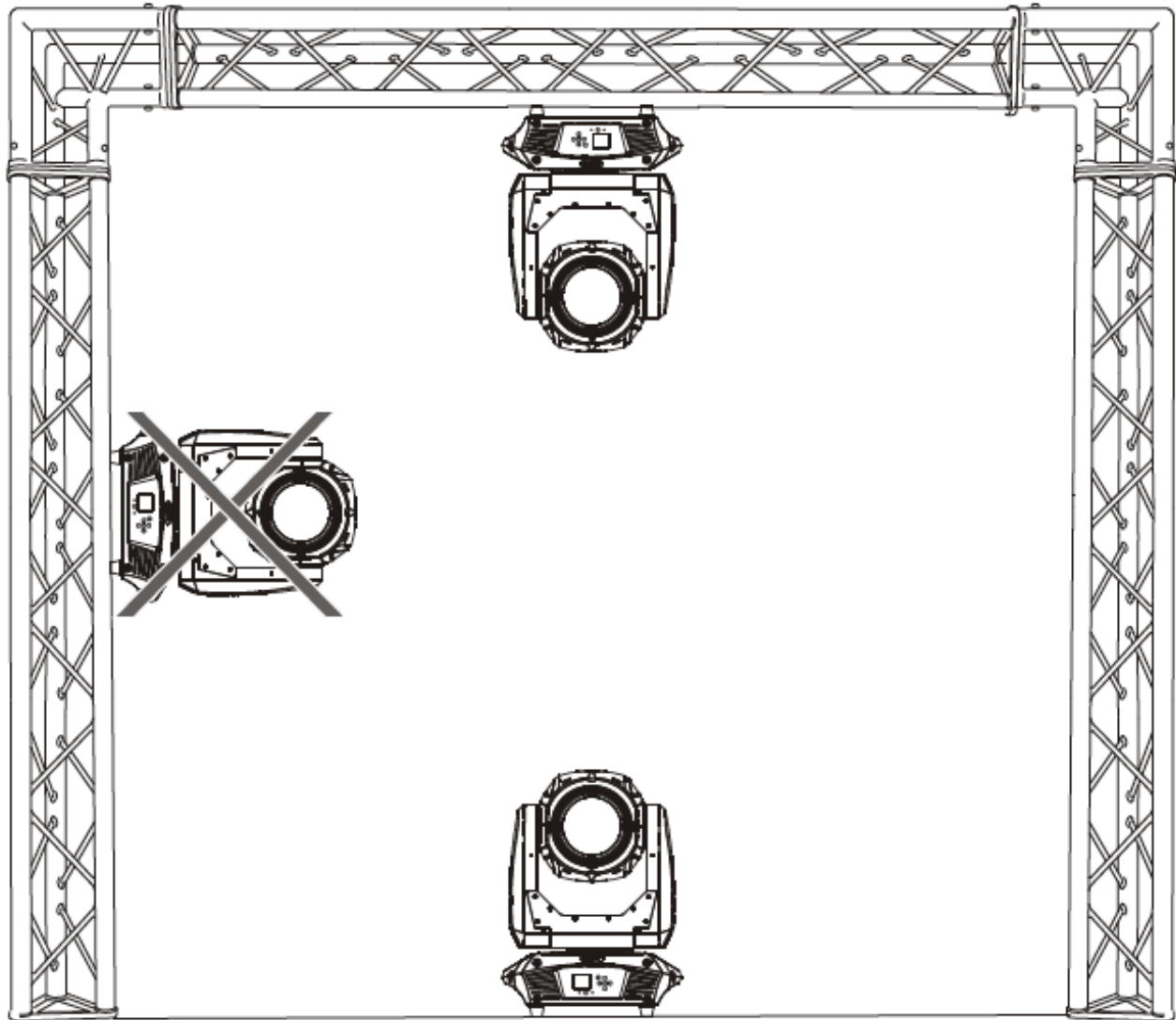


CAUTIONS

- For added protection, mount the fixture in areas outside walking paths, seating areas, or in areas where unauthorized personnel might reach the fixture.
- Ambient operating temperature range for this fixture is **14° to 113°F. (-10° to 45°C)**. Do not use the fixture under or above this temperature.
- Before mounting the fixture to any surface, make sure the installation area can hold a minimum point load of 10 times the weight of the fixture.
- Fixture installation must always be secured with a secondary safety attachment, such as an appropriate safety cable.
- Never stand directly below the device when mounting, removing or servicing.

MOUNTING POINTS

- Overhead mounting requires extensive experience, including amongst others calculating working load limits, installation material being used, and periodic safety inspection of all installation material and the device. If you lack these qualifications, do not attempt the installation yourself. Improper installation can result in bodily injury.
- Fixture is fully operational in the specific mounting positions as illustrated below.

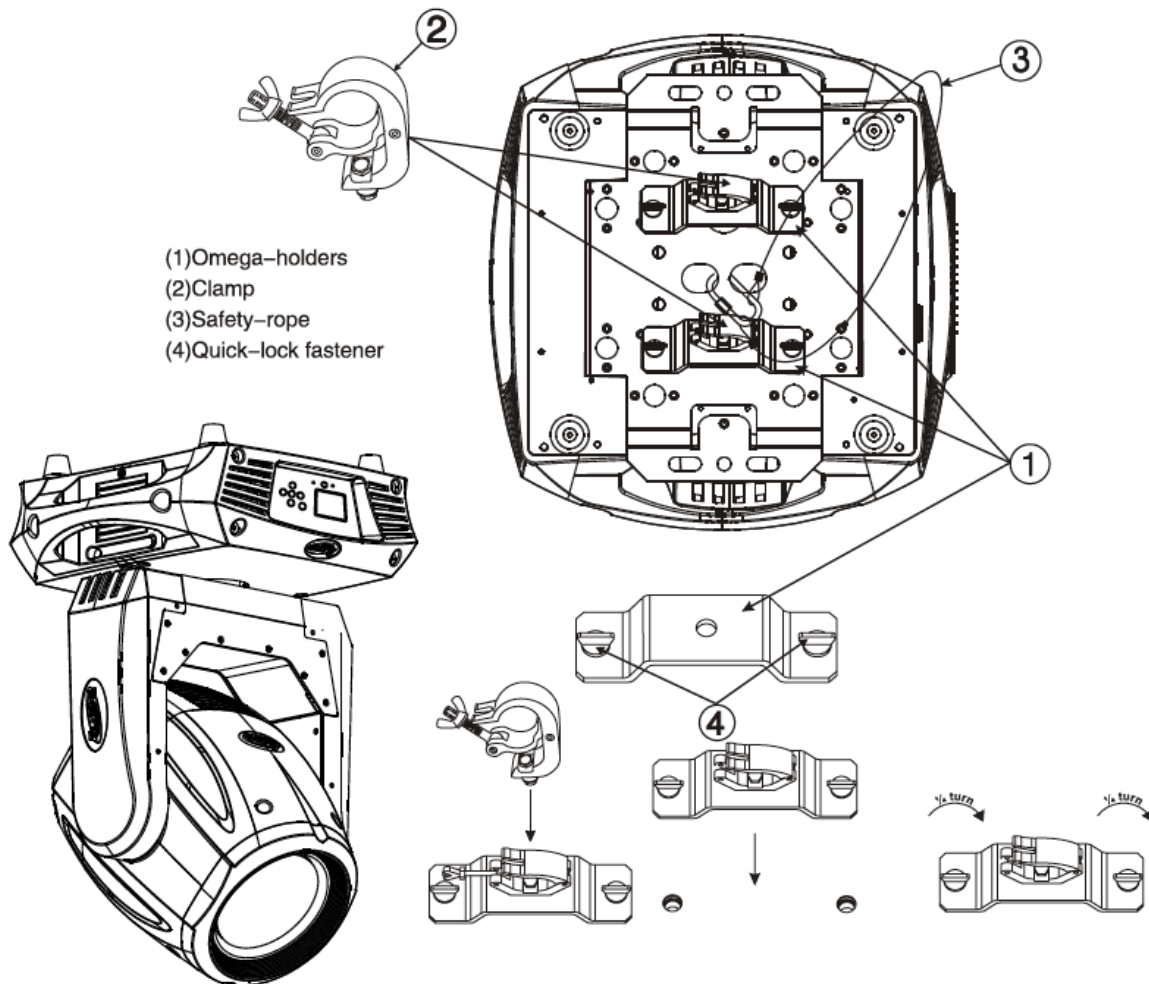


SAFETY CABLE

ALWAYS USE A SAFETY CABLE WHENEVER INSTALLING THIS FIXTURE IN A SUSPENDED ENVIRONMENT TO ENSURE THE FIXTURE WILL NOT DROP IF THE CLAMP FAILS.

CLAMP MOUNTING

The fixture provides a unique mounting bracket assembly that integrates the bottom of the base, the included **Omega Brackets (x2)** and safety cable rigging point in one unit (see the illustration below). When mounting this fixture to truss be sure to secure an appropriately rated clamps to the included omega brackets using a M10 screw fitted through the center hole of the **Omega Bracket**. Be sure to attach the included **Safety Cable** to the fixture using the safety cable rigging point integrated in the base assembly.



SECURING

Regardless of the rigging option you choose for your fixture always be sure to secure your fixture with a safety cable. The fixture provides a built-in rigging point for a safety cable on the hanging bracket as illustrated above. Be sure to only use the designated rigging point for the safety cable and never secure a safety cable to a carrying handle.

FIXTURE MENU

ON-BOARD SYSTEM MENU

The fixture comes with an easy to navigate system menu. The next section will detail the functions of each command in the system menu.

LCD MENU CONTROL PANEL

The control panel (see image below) located on back of the fixture allows you to access the main menu and make all necessary adjustments to the fixture. During normal operation, pressing **MODE/ESC** button once will access the fixture's main menu. Once in the main menu you can navigate through the different functions and access the sub-menus with the **UP, DOWN, RIGHT,** and **LEFT** buttons. Once you reach a field that requires adjusting, press the **ENTER** button to activate that field and use the **UP** and **DOWN** buttons to adjust the field. Pressing the **ENTER** button once more will confirm your setting. You may exit the main menu at any time without making any adjustments by pressing the **MODE/ESC** button.

NOTE: To access the LCD Menu Control Display via the internal battery, press and hold the **DC SWITCH** button for 2 seconds. The LCD Menu Control Display will shut **OFF** automatically about 1 minute from the last button press. To shut **OFF** the LCD Menu Control Display immediately, set "**Reset Default**" menu option to "**ON**" in the "**Personality**" menu and press the **ENTER** button to confirm your selection.



ELATION® PLATINUM BEAM 5R EXTREME™ SYSTEM MENU

Specifications and features are subject to change without any prior written notice.

MAIN MENU	SUB MENU	OPTIONS / VALUES (Default Settings in BOLD)		DESCRIPTION	
FUNCTION	Set DMX Address	A001 ~ AXXX		DMX Address Setting	
	DMX Value	ALL.....		DMX Value Display	
	Slave Mode	Slave1, Slave2, Slave3		Slave Setting	
	Auto Program	Master / Alone		Auto Program	
	Sound Control	Master / Alone		Sound Control	
INFORMATION	Time Information	Current Time	XXXX (Hours)	Fixture Run Time From Power ON	
		Total Run Time	XXXX (Hours)	Fixture Total Run Time	
		Last Run Time	XXXX (Hours)	Clear Fixture Last Run Time	
		Lamp Hours	XXXX (Hours)	Lamp Total Run Time	
		Lamp Off Time	XXXX (Minutes)	Lamp OFF Time	
		LastRun Password	Password=XXX	Password 038	
		Clean Last Run	ON / OFF	Reset Fixture Last Run Time	
		LampTime Password	Password=XXX	Password 038	
	Clean Lamp Time	ON / OFF	Reset Lamp Run Time		
	Temperature Info	Head Temperature	XXX C° / F°	Temperature in Fixture Head	
Software Version	V1.0.0...		Software Version		
LAMP CONTROL	Lamp ON or OFF	ON/OFF		Lamp ON/OFF	
	Automatic Lamp ON	ON/OFF		Lamp ON/OFF when Power ON	
	Lamp ON via DMX	ON/OFF		Lamp ON via DMX	
	Lamp OFF via DMX	ON/OFF		Lamp OFF via DMX	
	Lamp ON at Temp	20~79°C (45°C) / 68 ~ 174°F (113°F)		Lamp ON at Temp	
	Lamp OFF Temp	80~139°C (130°C) / 176 ~ 282°F (266°F)		Lamp OFF at Temp	
PERSONALITY	Status Settings	Address via DMX	ON/OFF	Address Via DMX	
		No DMX Status	Close/ Hold /Auto/Music	Auto Run If No DMX	
		Pan Reverse	ON/ OFF	Pan Reverse Movement	
		Tilt Reverse	ON/ OFF	Tilt Reverse Movement	
		Pan Degree	630/ 540 /540-90 Offset	Pan Degree Select	
		Feedback	ON/OFF	Movement Feedback	
		Movement Speed	Speed 1 ~ 4	Movement Mode Select	
		Mic Sensitivity	0-99%	Sensitivity of Microphone	
	Hibernation	OFF, 01M~99M, 15M	Stand By Mode		
	Service Setting	Password	Password=XXX		Service Password 050
		RDM PID	XXXXXX		RDM PID Code
	Fans Control	Auto , High, Low		Fans Speed Select	
	Display Setting	Shutoff Time	02~60m 05m	Display Shut Off Time	
		Display Reverse	ON/ OFF	Display Reverse 180°	
		Key Lock	ON/ OFF	Key Lock	
	Temperature C/F	Celsius/Fahrenheit		Temperature Switch Between C° / F°	
	Initial Status	PAN =XXX		Initial Effect Position	
	Wireless DMX	WDMX OFF			De-activate WDMX
		Activate WDMX			Activate WDMX
		Act & Data Out			Act & Data Out
Clean WDMX Memo				Reset Wireless DMX Mem	
Reset Default	ON/OFF		Restore factory settings		

ELATION© PLATINUM BEAM 5R EXTREME™ SYSTEM MENU				
Specifications and features are subject to change without any prior written notice.				
MAIN MENU	SUB MENU	OPTIONS / VALUES (Default Settings in BOLD)		DESCRIPTION
Reset Function	Reset All			Reset All Motors
	Reset Pan ^ Tilt			Reset Pan/Tilt
	Reset Colors			Reset Color Wheel
	Reset Gobos			Reset Gobos
	Reset Shutter			Reset Shutter and/or Dimmer
	Reset Others			Reset Other Motors
Effect Adjust	Test Channel	PAN		Test function
	Manual Control	PAN =XXX,		Fine Adjustments
	Calibration	Calibrate Password		Password 050
User Mode Set	User Mode	Standard Mode		DMX Channel Modes
		Basic Mode		
		Extended Mode		
		User Mode A		User Defined Channel Assignment
		User Mode B		
	User Mode C			
	Edit User Mode	Max Channel = XX		Edits User Defined Channel Assignments
	PAN = CH01			
Edit Program	Select Programs	Auto Pro Part1 = Program 1~10 (Program 1)		Select Programs To Be Run
		Auto Pro Part2 = Program 1~10 (Program 2)		
		Auto Pro Part3 = Program 1~10 (Program 3)		
	Edit Program	Program 1	Program Test	Testing Program
		:	Step 01 =SCxxx	Program In Loop
		Program 10	Step 64 =SCxxx	Save and Exit
	Edit Scenes	Scene 001	Pan,Tilt,.....	Save and Automatically Return
		~ Scene 250	--Fade Time-- --Scene Time--	Manual Scenes Edit
			Input By Outside	Stores Scenes via Ext DMX Console
Record Controller	XX~XX		Automatic Scenes Recorder	

FUNCTION - Auto Program

Define fixture mode (**Master or Alone**) for running Auto Programs. Select desired internal programs under “**Select Program**”, set the number of steps under “**Edit Program**”, and edit individual scenes under “**Edit Scenes**”.

This counter can be reset.

LAMP CONTROL - Lamp ON at Temp

The fixture is designed to shut the lamp OFF when an excessive temperature is sensed inside the head by the on-board CPU. The lamp is shut OFF to prevent damage to the lamp and avoid possible internal damage to the fixture head. This function sets the MIN internal operating temperature of the fixture head before the lamp will restrike after the lamp has been automatically shut OFF.

LAMP CONTROL - Lamp OFF Temp

The fixture is designed to shut the lamp OFF when an excessive temperature is sensed inside the head by the on-board CPU. The lamp is shut OFF to prevent damage to the lamp and avoid possible internal damage to the fixture head. This function sets the MAX internal operating temperature of the fixture head when the lamp will automatically be shut OFF.

PERSONALITY - Status Settings - Address Via DMX

When ON, define the desired DMX address via an external controller.

1. Connect the fixture to the external controller and power ON.
2. Set the DMX value of **Channel 1** on the controller to **(7)**.
3. Set the DMX value of **Channel 2** on the controller to **(7)** or **(8)**.
When set to **(7)**, the DMX address can be set between **(1)** and **(255)**.
When set to **(8)**, the DMX address can be set between **(256)** and **(511)**.
4. Using **Channel 3** on the controller set the desired DMX address of the fixture.

Example 1:

If the desired DMX address is **57**, set **Channel 1** to a value of **(7)**, set **Channel 2** to a value of **(7)**, and then set **Channel 3** to a value of **(57)**.

Example 2:

If the desired DMX address is **420**, set **Channel 1** to a value of **(7)**, set **Channel 2** to a value of **(8)**, and then set **Channel 3** to a value of **(164)**. (256+164=420)

5. After setting **Channel 3** to the desired DMX address value, wait for approximately 20 seconds for the fixture to complete the address reset function.

EFFECT ADJUST – Manual Control

Select and manually test and fine adjust each individual channel function independently from DMX control board. This function will center PAN and TILT motors and set dimmer to 100%. PAN and TILT functions will still operate if the fixture needs to be positioned to a flat clear surface. With the individual functions, you can focus the light on a flat surface (wall) and perform fine adjustments.

EFFECT ADJUST – Calibration**ONLY QUALIFIED TECHNICIANS SHOULD PERFORM THIS FUNCTION.**

This function allows small adjustments to be made to the effect wheels (Color, Gobo, Shutter, etc.) to compensate for wear or in the event a sensor has been knocked slightly out of place. Because improper use of this function can result in undesired operation this function has been password protected. The password is **050** and must be entered each time the calibration menu function is entered. Because calibration is an extremely delicate procedure, instructions on performing this action are left out of this manual. For a first time calibrator, please contact our customer support team for step-by-step instructions.

USER MODE SET – User Mode

Select operating mode, which includes DMX Channel and User defined modes.

USER MODE SET – Edit User Mode

Create user defined channel orders allowing the fixture to match the channel order of other fixtures on the market for easier operation. A total of three user modes may be configured: User Mode A, User Mode B, and User Mode C.

EDIT PROGRAM – Select Program

Select one of the (10) user defined internal Auto Programs.

EDIT PROGRAM – Edit Program

Edit any of the (10) user defined internal Auto Programs.

EDIT PROGRAM – Edit Scenes

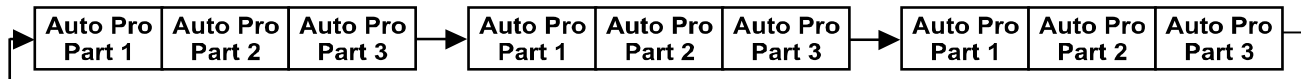
Edit any of the scenes of the internal Auto Programs.

EDIT PROGRAM – Record Controller

The fixture features an integrated DMX-recorder by which you can transmit the programmed scenes from your DMX-controller to the moving head. Adjust the desired scene numbers via the encoder (from – to). When you call up the scenes at your controller, they will automatically be transmitted to the moving head.

EDIT PROGRAM – Record Controller – Working With Built In Programs

A Master unit can send up to 3 different data groups to the Slave units, i.e. a Master unit can start 3 different Slave units, which run 3 different programs. The Master unit sends the 3 program parts in a continuous loop.



The Slave unit receives data from the Master unit according to the group which the Slave unit was assigned to. If e.g. a Slave unit is set to “**Slave 1**” in the menu “**Set to Slave**”, the Master unit sends “**Auto Program Part 1**” to the Slave unit.

If set to “**Slave 2**”, the Slave unit receives “**Auto Program Part 2**”.

To start an Auto Program proceed as follows:

1. Slave Setting

- Select “**Function Mode**”.
- Press **ENTER** to confirm.
- Select “**Set to Slave**”.
- Press **ENTER** to confirm.
- Select “**Slave 1**”, “**Slave 2**” or “**Slave 3**”.
- Press **ENTER** to confirm.
- Press **MODE/ESC** in order to return to the main menu.

2. Automatic Program Run

- Select “**Function Mode**”.
- Press **ENTER** to confirm.
- Select “**Auto Program**”.
- Press **ENTER** to confirm.
- Select “**Master**” or “**Alone**”.
- Press **ENTER** to confirm.
- Press **MODE/ESC** in order to return to the main menu.

EDIT PROGRAM – Record Controller – Working With Built-In Program [continued]

3. Program Selection for Auto Pro Part

- Select “**Edit Program**”.
- Press **ENTER** to confirm.
- Select “**Select Programs**”.
- Press **ENTER** to confirm.
- Select “**Auto Pro Part 1**”, “**Auto Pro Part 2**” or “**Auto Pro Part 3**”, and select which Slave program is to be sent. Selection “**Part 1**” means, that the Slave unit runs the same program as the master units.
- Press **ENTER** to confirm.
- Press **MODE/ESC** in order to return to the main menu.

4. Program Selection for Edit Program

- Select “**Edit Program**”.
- Press **ENTER** to confirm.
- Select “**Edit Program**”.
- Press **ENTER** to confirm.
- Select the desired program. With this function you can edit specific scenes into a specific program.
- Press **ENTER** to confirm.
- Press **MODE/ESC** in order to return to the main menu.

5. Automatic Scene Recording

- Select “**Edit Program**”.
- Press **ENTER** to confirm.
- Select “**Edit Scenes**”.
- Select desired scene numbers. A maximum of 250 scenes can be programmed.
- Press **ENTER** to confirm.
- Press **MODE/ESC** in order to return to the main menu.

EDIT PROGRAM – Record Controller – Working With Built-In Program [continued]

Example:

Program 2 includes scenes: 10, 11, 12, & 13

Program 4 includes scenes: 8, 9, & 10

Program 6 includes scenes: 12, 13, 14, & 15

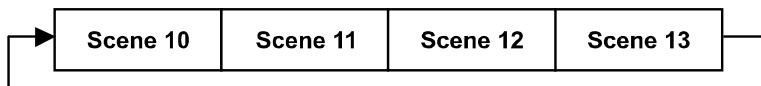
Auto Pro Part 1 is Program 2

Auto Pro Part 2 is Program 3

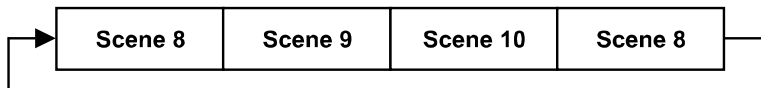
Auto Pro Part 3 is Program 6

The 3 Slave groups run the Auto Program in certain time segments, as shown in the following picture:

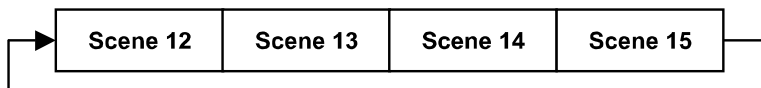
Part 1:



Part 2:



Part 3:



WDMX INTERNAL WIRELESS DMX RECEIVER SET UP

The **PATINUM BEAN 5R EXTREME™** is equipped with an internal Wireless DMX Receiver, which is fully compatible with an **Elation** Wireless DMX System. Access the “**Wireless DMX**” sub menu from the “**PERSONALITY**” menu, and then select the desired WDMX connection function, which includes:

WDMX Off - Turn OFF Wireless DMX

Activate WDMX - Turn ON Wireless DMX

Act & Data Out - Turn ON Wireless DMX and send DMX data to wired 3/5pin outputs

Clean WDMX Memo - Clear WDMX memory

When the **WDMX** system is “**Activated**” the internal DMX “**IN**” XLR jacks are OFF. However the internal DMX “**OUT**” XLR jacks will function normally. If the fixture is powered ON with the internal **WDMX** system “**Activated**”, it will automatically scan for a wireless DMX signal from an **Elation Wireless Transmitter**.

 If **NO** wireless signal is received, it will electronically switch to the wired DMX mode.



W A R N I N G !
NEVER connect a fixture to a controller via a DMX cable when the WDMX system is in use. This could cause serious damage to the controller!!

SETTING UP THE WDMX SYSTEM

Follow the instructions included with the **Elation EWDMX Transmitter** and connect it to the output of your DMX controller. To sync your fixture with the **Elation EWDMX Transmitter** follow the steps below:

- Initially, the **Wireless Indicator** on the fixture control panel should be solid **RED**.
- Press and hold the configuration button on your **EWDMX Transmitter** for about 3 seconds. The **RED/GREEN LED** indicators on the **EWDMX Transmitter** and the fixture should begin to flash rapidly for about 5-10 seconds while the two systems pair.
- Once the fixture is paired with the **EWDMX Transmitter (T1)**, the **Wireless** status indicators on the both the fixture and the **EWDMX Transmitter** will stop flashing and glow solid **GREEN**. If pairing is unsuccessful repeat the process until pairing is secured.
- The fixture will store the pairing information inside a nondestructive memory bank once a link is created between the fixture and an **EWDMX Transmitter**. The fixture will remember the paired **EWDMX Transmitter** even if the fixture is turned OFF for extended periods of time.

CLEARING EWDMX TRANSMITTER LINK

- Access the “**Wireless DMX**” sub menu from the “**PERSONALITY**” menu, and then select “**Clear WDMX Memo**” to clear any existing link between the fixture and a **EWDMX Transmitter**. The **Wireless** indicator on the fixture will turn solid **RED** when the link is severed.
- You may also clear the link directly from the **EWDMX Transmitter**. First, be sure the fixture(s) is powered ON, and then hold down the configuration button on the **EWDMX Transmitter** for at least 5 seconds. This will automatically clear the link between the **EWDMX Transmitter** and any fixture that is powered ON. All **EWDMX** indicators will glow solid **RED** if the procedure was successful.

FIXTURE WIRELESS INDICATOR

RED/GREEN (Rapid Flashing) = Syncing to an EWDMX Transmitter.

RED/GREEN (Slow Flashing) = Paired with an EWDMX Transmitter but not receiving a DMX signal from a controller.

GREEN (Solid) = Paired with an EWDMX Transmitter and receiving DMX data.

RED (Solid) = Not paired with an EWDMX Transmitter (FREE).

DMX CHANNEL FUNCTIONS AND VALUES

ELATION© PLATINUM BEAM 5R EXTREME™				
DMX Channel Values / Functions (18 DMX Channels)				
Specifications are subject to change without any prior written notice.				
*Rotation direction (Clockwise or Counterclockwise) of COLOR, GOBO, and PRISM effects depends on the orientation of the fixture head.				
MODE / CHANNEL			VALUE	FUNCTION
BASIC	STAND	EXTEND		
1	1	1		PAN MOVEMENT [8 BIT]
			0-255	PAN Movement By 630/540
2		2		PAN FINE MOVEMENT [16 BIT]
			0-255	Fine Control of PAN Movement
2	3	3		TILT MOVEMENT [8 BIT]
			0-255	TILT Movement By 270
4		4		TILT MOVEMENT [16 BIT]
			0-255	Fine Control of TILT Movement
3	5	5		COLOR WHEEL
			0-10	OPEN / WHITE
			11-21	RED
			22-32	BLUE
			33-43	GREEN
			44-54	YELLOW
			55-65	MAGENTA
			66-76	LIGHT BLUE
			77-87	ORANGE
			88-98	PURPLE
			99-109	UV FILTER
			110-120	CTO
			121-127	CTB
			128-189	*Clockwise Color Rotation from FAST to SLOW
			190-193	NO Rotation
194-255	*Counterclockwise Color Rotation from SLOW to FAST			
		6		COLOR WHEEL FINE ADJUSTMENT
			0-255	FINE Adjustment of Color Wheel to Any Position
4	6	7		ROTATING GOBOS, CONTINUOUS ROTATION
			0-9	OPEN / WHITE
			10-19	Rotating Gobo 1
			20-29	Rotating Gobo 2
			30-39	Rotating Gobo 3
			40-49	Rotating Gobo 4
			50-59	Rotating Gobo 5
			60-69	Rotating Gobo 6
			70-79	Rotating Gobo 7
			80-89	Rotating Gobo 8
			90-104	Rotating Gobo 1 Shake
			105-119	Rotating Gobo 2 Shake
			120-134	Rotating Gobo 3 Shake
			135-149	Rotating Gobo 4 Shake
			150-164	Rotating Gobo 5 Shake
			165-179	Rotating Gobo 6 Shake
			180-194	Rotating Gobo 7 Shake
			195-209	Rotating Gobo 8 Shake
			210-255	Gobo Wheel Continuous Rotation from SLOW to FAST

ELATION® PLATINUM BEAM 5R EXTREME™			
DMX Channel Values / Functions (18 DMX Channels)			
Specifications are subject to change without any prior written notice.			
*Rotation direction (Clockwise or Counterclockwise) of COLOR, GOBO, and PRISM effects depends on the orientation of the fixture head.			
MODE / CHANNEL			FUNCTION
STAND	BASIC	EXTEND	VALUE
		9	
			0-255
			ROTATING GOBOS, FINE INDEX ROTATION
			Gobo Rotation FINE Indexing
5	7	8	
			0-127
			128-189
			190-193
			194-255
			ROTATING GOBOS, INDEX ROTATION
			Gobo Indexing
			*Clockwise Gobo Rotation from FAST TO SLOW
			NO Rotation
			*Counterclockwise Gobo Rotation from SLOW to FAST
6	8	10	
			0-3
			4-63
			64-67
			68-127
			128-135
			136-143
			144-151
			152-159
			160-167
			168-175
			176-183
			184-191
			192-199
			200-207
			208-215
			216-223
			224-231
			232-239
			240-247
			248-255
			ROTATING PRISM, PRISM / GOBO MACROS
			OPEN
			8-FACET PRISM *Clockwise Rotation from FAST to SLOW
			NO Rotation
			8-FACET PRISM *Counterclockwise Rotation from SLOW to FAST
			Macro 1
			Macro 2
			Macro 3
			Macro 4
			Macro 5
			Macro 6
			Macro 7
			Macro 8
			Macro 9
			Macro 10
			Macro 11
			Macro 12
			Macro 13
			Macro 14
			Macro 15
			Macro 16
7	9	11	
			0-255
			FOCUS
			Continuous Adjustment from NEAR to FAR
		12	
			0-255
			FOCUS FINE
			Continuous FINE Focus Adjustment
8	10	13	
			0-31
			32-63
			64-95
			96-127
			128-159
			160-191
			192-223
			224-255
			SHUTTER, STROBE
			Shutter CLOSED
			NO Function (Shutter OPEN)
			Strobe Effect SLOW to FAST
			NO Function (Shutter OPEN)
			Pulse Effect In Sequences
			NO Function (Shutter OPEN)
			Random Strobe Effect SLOW to FAST
			NO Function (Shutter Open)
9	11	14	
			0-255
			DIMMER INTENSITY
			Intensity 0 to 100%
		15	
			0-255
			DIMMER INTENSITY FINE
			Dimmer Intensity FINE Adjustment

ELATION® PLATINUM BEAM 5R EXTREME™			
DMX Channel Values / Functions (18 DMX Channels)			
Specifications are subject to change without any prior written notice.			
*Rotation direction (Clockwise or Counterclockwise) of COLOR, GOBO, and PRISM effects depends on the orientation of the fixture head.			
MODE / CHANNEL			FUNCTION
STAND	BASIC	EXTEND	VALUE
10	12	16	
			0-127
			128-255
11	13	17	
			0-225
			226-235
			236-245
			246-255
12	14	18	
			0-19
			20-29
			30-39
			40-59
			60-79
			80-84
			85-87
			88-90
			91-93
			94-96
			97-99
			100-119
			120-139
			140-159
			160-179
			180-199
			200-219
220-239			
240-255			

ERROR CODES

When power is applied, the unit will automatically enter a **“Reset/Test”** mode. This mode brings all the internal motors to a home position. If there is an internal problem with one or more of the motors an error code will flash in the display in the form of **“XXEr”** where as XX will represent a function number. For example, when the display shows **“0Er”** it means there is some type of error with the Pan motor. If there are multiple errors during the start-up process they will all flash in the display. For example: if the fixtures has errors on **Channel 1, 2, and 5** all at the same time, you will see the error message **“01Er”, “02Er”, and “05Er”** flash repeated 5 times.

If an error does occur during the initial start-up procedure the fixture will self-generate a second reset signal and try to realign all the motors and correct the errors. If the error persists after a second attempt a third attempt will be made. If after a third attempt all the errors have not been corrected the fixture will make the following determinations:

- **3 or More Errors** - The fixture cannot function properly with three or more errors therefore the fixture will place itself in a stand-by mode until subsequent repairs can be made.
- **Less Than 3 Errors** - The fixture has less than 3 errors; therefore most other functions will work properly. The fixture will attempt to operate normally until the errors can be correct by a technician. The errors in question will remain flashing in the display as a reminder of internal errors.

PAN Er	Gobo Rot. 1 Er
TILT Er	Focus Er
Color Wheel Er	Prism Rot. Er
Gobo Wheel 1 Er	

CLEANING AND MAINTENANCE



C A U T I O N

Disconnect power before cleaning or maintenance.

CLEANING

Frequent cleaning is recommended to insure proper function, optimized light output, and an extended life. The frequency of cleaning depends on the environment in which the fixture operates: damp, smoky or particularly dirty environments can cause greater accumulation of dirt on the fixture's optics.

- Clean the external lens surface at least every 20 days with a soft cloth to avoid dirt/debris accumulation. Never use alcohol, solvents, or ammonia based cleaners.

MAINTENANCE

Regular inspections are recommended to insure proper function and extended life. There are no user serviceable parts inside this fixture, please refer all other service issues to an authorized Elation service technician. Should you need any spare parts, please order genuine parts from your local Elation dealer.

Please refer to the following points during routine inspections:

- A detailed electric check by an approved electrical engineer every 3 months, to make sure the circuit contacts are in good condition and prevent overheating.
- Be sure all screws and fasteners are securely tightened at all times. Loose screws may fall out during normal operation resulting in damage or injury.
- Check for any deformations on the housing, color lenses, rigging hardware and rigging points (ceiling, suspension, trussing). Deformations in the housing could allow for dust to enter into the fixture. Damaged rigging points or unsecured rigging could cause the fixture to fall and seriously injure a person(s).
- Inspect all moving parts and make sure there are no signs of wear and rotate/move without imbalances.
- Electric power supply cables must not show any damage, material fatigue or sediments. Never remove the ground prong from the power cable.

TECHNICAL SPECIFICATIONS

SOURCE

189W Platinum 5R Lamp

2,000 Hour Average Life*

*May vary depending on several factors including but not limited to:
Environmental Conditions, Power/Voltage, Usage Patterns (On-Off Cycling), Control, and Dimming.

EFFECTS

Frost

Motorized Focus

Strobe (1-18 fps)

Electronic Dimming: 0% - 100%

8 Facet Rotating Prisms and Macros

COLOR

(12) Colors Including UV, CTO, CTB

GOBOS

(8) Metal Rotating, Indexing, Interchangeable Gobos

CONTROL / CONNECTIONS

(3) DMX Channel Modes (12 / 14 / 18)

Remote Device Management

Pan Movement: 540°/630° / Tilt Movement: 270°

6 Button Control Panel

Full Color 180° Reversible LCD Menu Display

16 Bit 3-Phase Pan/Tilt Motors

3pin & 5pin DMX In/Out

powerCON In

Internal EWDMX Wireless DMX Receiver

SIZE / WEIGHT

Length: 13.9" (352mm)

Width: 13.0" (329mm)

Vertical Height: 20.0" (509mm)

Weight: 44.0 lbs. (20.0 kg)

ELECTRICAL / THERMAL

AC 100-240V - 50/60Hz

350W Max Power Consumption

14°F to 113°F (-10°C to 45°C)

APPROVALS

CE | cETLus | IP20



Please Note: Specifications and improvements in the design of this unit and this manual are subject to change without any prior written notice.

COLORS AND GOBOS

COLOR WHEEL



INTERCHANGEABLE-ROTATING GOBO WHEEL

OD: Ø13.8mm** ID: Ø6.0mm

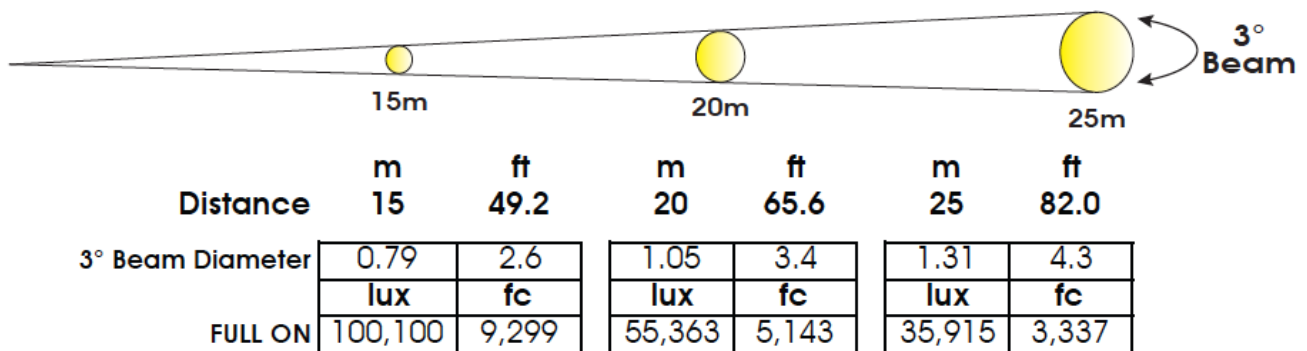


**IMPORTANT NOTICE REGARDING GOBO DIMENSIONS AND CUSTOM GOBOS

OD = Outside Diameter | ID = Image Diameter

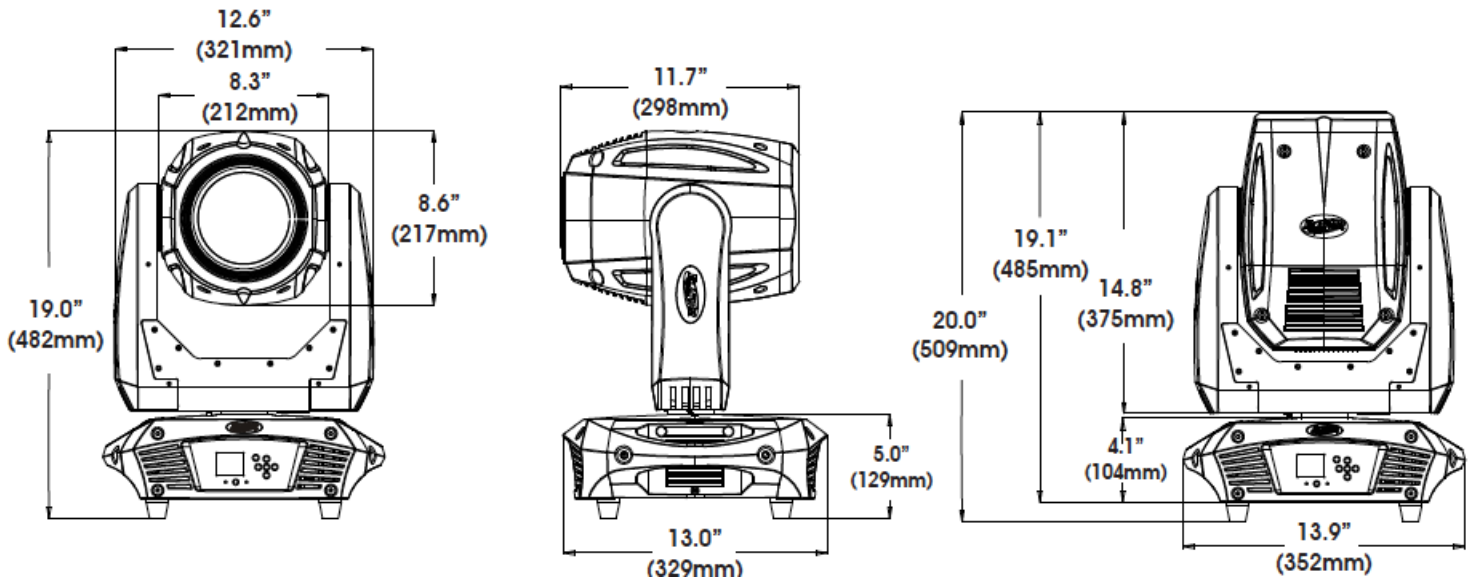
Due to varying manufacturing processes, it is highly recommended to provide a gobo and holder sample from the fixture to 3rd party custom gobo vendors for accurate sizing.

PHOTOMETRIC DATA



Please Note: Specifications and improvements in the design of this unit and this manual are subject to change without any prior written notice.

DIMENSIONAL DRAWINGS



Please Note: Specifications and improvements in the design of this unit and this manual are subject to change without any prior written notice.

OPTIONAL ACCESSORIES

ORDER CODE	ITEM
TRIGGER CLAMP	Heavy Duty Wrap Around Hook Style Clamp
DRCPLAT	Dual Flight Case For Platinum Beam 5R EXTREME™
DRCPLATQUAD	Quad Flight Case For Platinum Beam 5R EXTREME™
EWDMXSYSTEM	Wireless DMX System (1 Transmitter, 1 Receiver)
AC3PDMX5PRO	5 ft. (1.5m) 3pin PRO DMX Cable
AC5PDMX5PRO	5 ft. (1.5m) 5pin PRO DMX Cable
	Additional Cable Lengths Available

