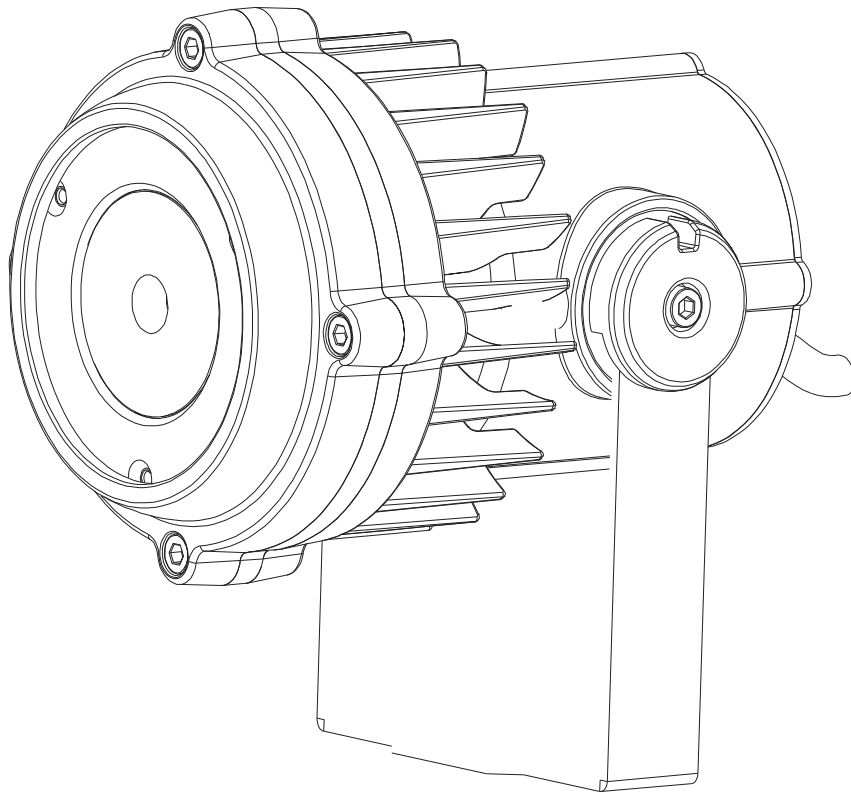


USER MANUAL

# ion 10P



*Read the user manual before turning on the product.*

# TECshow

A division of

**AMERICAN  
PRO**

Int. Corp.

[www.american-pro.com](http://www.american-pro.com)

Every person involved with the installation, operation and maintenance of this device has to

- be qualified
  - follow the instructions of this manual
  - consider this manual to be part of the total product
  - keep this manual for the entire service life of the product
- pass this manual on to every further owner or user of the product  
download the latest version of the user manual from the Internet

For your own safety, please read this user manual carefully before you initially start-up.

## INTRODUCTION

Thanks for choosing a TECSHOW product. ION Series is built to satisfy the most demanding users. We are confident that our excellent products and service will satisfy you.

Unpack the device you will find following items inside the box:

1. The fixture device
2. User manual
3. Omega holder with quick-lock fastener
4. DMX & Power integrated cable 1.5m

## SAFETY INSTRUCTIONS

This device has left our factory in absolutely perfect condition. In order to maintain this condition and to ensure a safe operation, it is absolutely necessary for the user to follow the safety instructions and warning notes written in this user manual.



### Important:

Damages caused by the disregard of this user manual are not subject to warranty. The dealer will not accept liability for any resulting defects or problems.



### CAUTION!

Be careful with your operations. With a dangerous voltage you can suffer a dangerous electric shock when touching the wires

If the device has been exposed to drastic temperature fluctuation (e.g. after transportation), do not switch it on immediately. The arising condensation water might damage your device. Leave the device switched off until it has reached room temperature.

Please make sure that there are no obvious transport damages. Should you notice any damages on the A/C connection cable or on the casing, do not take the device into operation and immediately consult your local dealer.

This device falls under protection-class I. The power plug must only be plugged into a protection class I outlet. The voltage and frequency must exactly be the same as stated on the device. Wrong voltages or power outlets can lead to the destruction of the device and to mortal electrical shock.

Always plug in the power plug last. The power plug must always be inserted without force. Make sure that the plug is tightly connected with the outlet.

Never let the power-cord come into contact with other cables! Handle the power-cord and all connections with the mains with particular caution! Never touch them with wet hands, as this could lead to mortal electrical shock.

Never modify, bend, strain mechanically, put pressure on, pull or heat up the power cord. Never operate next to sources of heat or cold. Disregard can lead to power cord damages, fire or mortal electrical shock.

The cable insert or the female part in the device must never be strained. There must always be sufficient cable to the device. Otherwise, the cable may be damaged which may lead to mortal damage.

Make sure that the power-cord is never crimped or damaged by sharp edges. Check the device and the power-cord from time to time.

If extension cords are used, make sure that the core diameter is sufficient for the required power consumption of the device. All warnings concerning the power cords are also valid for possible extension cords.

Always disconnect from the mains, when the device is not in use or before cleaning it. Only handle the power-cord by the plug. Never pull out the plug by tugging the power-cord. Otherwise, the cable or plug can be damaged leading to mortal electrical shock. If the power plug or the power switch is not accessible, the device must be disconnected via the mains.

If the power plug or the device is dusty, the device must be taken out of operation, disconnected and then be cleaned with a dry cloth. Dust can reduce the insulation which may lead to mortal electrical shock. More severe dirt in and at the device should only be removed by a specialist.

There must never enter any liquid into power outlets, extension cords or any holes in the housing of the device. If you suppose that also a minimal amount of liquid may have entered the device, it must immediately be disconnected. This is also valid, if the device was exposed to high humidity. Also if the device is still running, the device must be checked by a specialist if the liquid has reduced any insulation. Reduced insulation can cause mortal electrical shock.

There must never be any objects entering into the device. This is especially valid for metal parts. If any metal parts like staples or coarse metal chips enter into the device, the device must be taken out of operation and disconnected immediately. Malfunction or short-circuits caused by metal parts may cause mortal injuries.



**HEALTH HAZARD!**

**Never look directly into the light source, as sensitive persons may suffer an epileptic shock (especially meant for epileptics)!**

Keep away children and amateurs!  
Never leave this device running unattended.

**OPERATING DETERMINATIONS**

This device is a LED pixel beam lighting effect for creating decorative effects. This product is only allowed to be operated with an alternating voltage of 100-240 V, 50/60 Hz and was designed for indoor use only.

This device is designed for professional use, e.g. on stages, in clubs, bars, theatres etc.

Lighting effects are not designed for permanent operation. Consistent operation breaks will ensure that the device will serve you for a long time without defects.

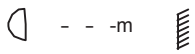
When choosing the installation-spot, please make sure that the device is not exposed to extreme heat, moisture or dust. There should not be any cables lying around. Please make sure that the unit cannot be touched or bumped.

The ambient temperature must always be between  $-15^{\circ}\text{C}$  and  $+45^{\circ}\text{C}$ . Keep away from direct insulation (particularly in cars) and heaters.

The relative humidity must not exceed 50 % with an ambient temperature of  $45^{\circ}\text{C}$ .

This device must only be operated in an altitude between -20 and 2000 m over NN.

Never use the device during thunderstorms. Over voltage could destroy the device. Always disconnect the device during thunderstorms.

The symbol  determines the minimum distance from lighted objects. The minimum distance between light-output and the illuminated surface must be more than this value.

The device must only be installed on a non-flammable surface. In order to safeguard sufficient ventilation, leave 50 cm of free space around the device.

The housing must never touch surrounding surfaces or objects.

Make sure that the area below the installation place is blocked when rigging, derigging or servicing the fixture.

For overhead use (mounting height  $>100\text{ cm}$ ), always fix the fixture with an appropriate safety-rope. Fix the safety-rope at the correct fixation points only. The safety-rope must never be fixed at the transport handles!

Only operate the fixture after having checked that the housing is firmly closed and all screws are tightly fastened.

The maximum ambient temperature  $T_a = 45^{\circ}\text{C}$  must never be exceeded.

Operate the device only after having become familiarized with its functions. Do not permit operation by persons not qualified for operating the device. Most damages are the result of unprofessional operation!

Please use the original packaging if the device is to be transported.

Please consider that unauthorized modifications on the device are forbidden due to safety reasons!

## DESCRIPTION OF THE DEVICE

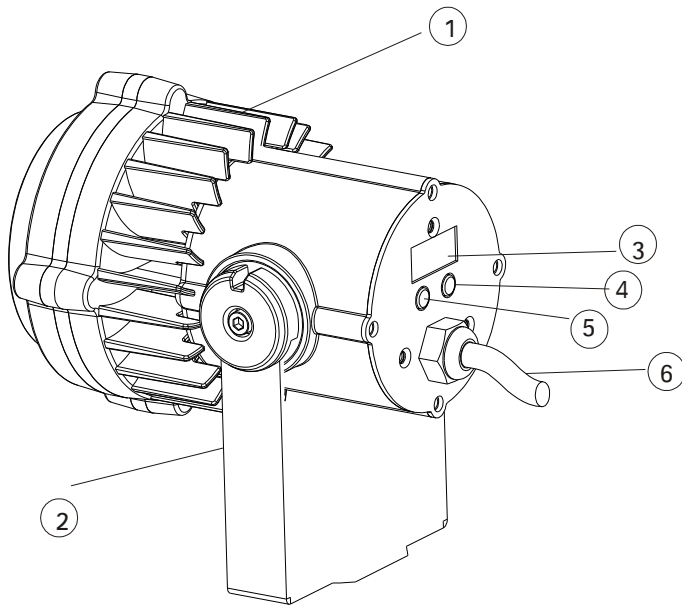
### Specification:

Light source: 1pcs OSRAM 10W 4in1 leds  
Led life: 60.000 hours  
Luminous Flux: 500lumen, 7300lux@1m  
DMX channels: 3/4/5/6/7  
15°/25° lens available for beam or wash effect

### Power

Max power consumption: 17W  
Power supply: Electronic auto-ranging  
Input voltage range: 100–240V, 50-60Hz

## Overview



- (1) Body
- (2) Bracket
- (3) Display
- (4) Enter button
- (5) Up button
- (6) DMX&Power cable

## DMX-protocol

| Channel |     |     |     |     | name   | function                   | Min DMX | Max DMX |
|---------|-----|-----|-----|-----|--------|----------------------------|---------|---------|
| 3CH     | 4CH | 5CH | 6CH | 7CH |        |                            |         |         |
| 1       | 1   | 1   | 1   | 1   | Red    | Red Dimmer(0~100%)         | 0       | 255     |
| 2       | 2   | 2   | 2   | 2   | Green  | Green Dimmer(0~100%)       | 0       | 255     |
| 3       | 3   | 3   | 3   | 3   | Blue   | Blue Dimmer(0~100%)        | 0       | 255     |
|         | 4   | 4   | 4   | 4   | White  | White Dimmer(0~100%)       | 0       | 255     |
|         |     | 5   | 5   | 5   | Dimmer | Dimmer(Close to Open)      | 0       | 255     |
|         |     |     |     |     |        | Normal Shutter Functions   |         |         |
|         |     |     |     |     |        | Close                      | 0       | 31      |
|         |     |     |     |     |        | Strobe Rate (slow to fast) | 32      | 223     |
|         |     |     |     |     |        | Open                       | 224     | 255     |
|         |     |     |     |     |        | Pulse-effect Forward       |         |         |
|         |     |     |     |     |        | Close                      | 0       | 31      |
|         |     |     |     |     |        | Strobe Rate (slow to fast) | 32      | 223     |
|         |     |     |     |     |        | Open                       | 224     | 255     |
|         |     |     |     |     |        | Pulse-effect Reverse       |         |         |
|         |     |     |     |     |        | Close                      | 0       | 31      |
|         |     |     |     |     |        | Strobe Rate (slow to fast) | 32      | 223     |
|         |     |     |     |     |        | Open                       | 224     | 255     |
|         |     |     |     |     |        | Random Strobe              |         |         |
|         |     |     |     |     |        | Close                      | 0       | 31      |
|         |     |     |     |     |        | Strobe Rate (slow to fast) | 32      | 223     |
|         |     |     |     |     |        | Open                       | 224     | 255     |

|   |  |  |  |     |                     |                          |    |     |
|---|--|--|--|-----|---------------------|--------------------------|----|-----|
|   |  |  |  | 7   | Shutter<br>Function | Normal Shutter Functions | 0  | 15  |
|   |  |  |  |     |                     | Pulse-effect Forward     | 16 | 31  |
|   |  |  |  |     |                     | Pulse-effect Reverse     | 32 | 47  |
|   |  |  |  |     |                     | Random Strobe            | 48 | 63  |
|   |  |  |  |     |                     | TBD                      | 64 | 255 |
|   |  |  |  |     |                     |                          |    |     |
|   |  |  |  |     |                     |                          |    |     |
| Press ENT for seconds to enter ENT Status |  |  |  |     |                     |                          |    |     |
| Normal Status                             |  |  |  | 001 |                     |                          |    |     |
| Editing Status                            |  |  |  | ENT |                     |                          |    |     |
|   |  |  |  | ADD |                     | XXX(001)                 |    |     |
|   |  |  |  | MOD |                     | 3CH/4CH/5CH/6CH/7CH      |    |     |

## TECHNICAL SPECIFICATIONS

|   |                          |
|---|--------------------------|
| Power supply:                                     | 100-240 V AC, 50/60 Hz ~ |
| Power consumption:                                | 17W/215 VA               |
| DMX control channels:                             | 3/4/5/6/7                |
| DMX512 connection:                                | DMX & Power integrated   |
| Type of LEDs:                                     | Osram 10w 4in1           |
| Number of LEDs:                                   | 1                        |
| Beam angle:                                       | approx. 7°               |
| Dimensions (LxWxH):                               | 135x 99 x 140mm          |
| Weight:   | 1.6 kg                   |
| Maximum ambient temperature $T_a$ :               | 45° C                    |
| Maximum housing temperature $T_B$ (steady state): | 60° C                    |
| Min.distance from flammable surfaces:             | 0.5 m                    |
| Min.distance to lighted object:                   | 0.3 m                    |

**Please note: Every information is subject to change without prior notice. 10.09.201**

QUALITY & GOOD PERFORMANCE IN LIGHTING

**AMERICAN  
PRO**

THANK YOU  
FOR YOUR TRUST

[www.american-pro.com](http://www.american-pro.com)

**AMERICAN PRO** develops & improve products constantly.

For this reason, the specifications and consigned information in the present user manual  
can me modified without notice

**TECshow**

A division of

**AMERICAN  
PRO**

Int. Corp.

[www.american-pro.com](http://www.american-pro.com)