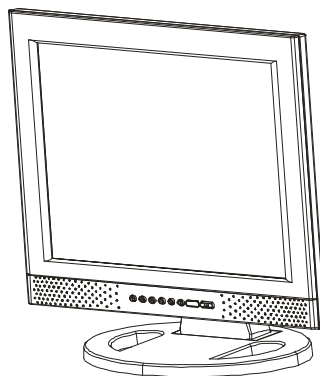


Thank you for purchasing our product.  
Please read this User's Manual before using the product.  
Change without notice

## 15" 17" 19" LED MONITOR

---

### USER MANUAL

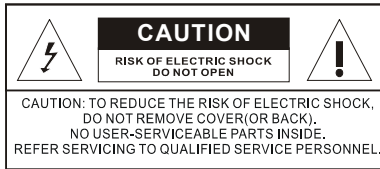


**WARNING:**

TO REDUCE THE RISK OF FIRE OR ELECTRIC SHOCK, DO NOT EXPOSE THIS PRODUCT TO RAIN OR MOISTURE.

DO NOT INSERT ANY METALLIC OBJECT THROUGH VENTILATION GRILLS.

**CAUTION:**



**Explanation of Graphical Symbols**



The lightning flash with arrowhead symbol, within an equilateral triangle, is intended to alert the user to the presence of uninsulated "dangerous voltage" within the product's enclosure that may be of sufficient magnitude to constitute a risk of electric shock to persons.



The exclamation point within an equilateral triangle is intended to alert the user to the presence of important operating and maintenance (servicing) instructions in the literature accompanying the product.

## Important safeguards

Risk of electric shock – Do not open

To reduce the risk of electric shock, do not remove the back cover. There are no user-serviceable parts inside.

Removing the back cover voids the warranty.

Have your LCD AV repaired by qualified service personnel only.

### Warnings and precautions

- Do not place your hands, face, or objects close to the ventilation openings of you LCD AV. The top of your LCD AV gets very hot from exhaust air that is released through the ventilation openings. Burns or personal injuries may occur if you are too close the LCD AV. Damage may occur if you place any object near the top of your LCD AV.
- Disconnect all cables before moving you LCD AV. Moving you LCD AV with its cables attached may damage the cables and cause fire or electric shock danger.
- Do not expose you LCD AV to rain or moisture.
- Keep your LCD AV away from excessive dust, high temperatures, moisture, or direct sunlight.
- Use your LCD AV in a well-ventilated area and do not cover the ventilation openings.
- Do not modify your LCD AV or use an unshielded power cord or video input source cable, or you may experience excessive interference.
- Disconnect your LCD AV and unplug the power cord when the AV is not used for a long period of time.
- If the picture displayed is in any way abnormal, turn off your LCD AV, then disconnect it from the electrical outlet. Make sure that your video input source cable is connected correctly, then reconnect your LCD AV to the electrical outlet.
- Disconnect your LCD AV from the electrical outlet before cleaning or performing maintenance. Do not use liquid or aerosol cleaners. Use only a slightly damp cloth for cleaning.
- Do not place your LCD AV on an unstable cart, stand, or table. Your LCD AV may fall, causing serious damage.

## Safety Precautions

### Chapter 6 Safety, Regulatory and Legal Information

#### US Regulatory compliance statements

Your LCD AV has been tested and found to comply with the limits for a Class B digital devices, pursuant to Part 15 of the FCC Rules. These limits are designed to provide reasonable protection against harmful interference in a residential installation. Your LCD AV generates, uses, and can radiate radio frequency energy, and if not installed and used in accordance with the instruction, may cause harmful interference to radio communication. However, there is no guarantee that interference will not occur in a particular installation. If your LCD AV does cause harmful interference to radio or television reception, which can be determined by turning your LCD AV off and on, the user is encouraged to try to correct the interference by one or more the following measures:

- Reorient or relocate the receiving antenna.
- Increase the separation between the equipment and the receiver
- Connect the equipment into an outlet on a circuit different from that to which the receiver is connected.
- Consult the dealer or an experienced radio/AV technician for help.

**Warning:** Use only shielded signal cables to connect I/O devices to your LCD AV. You are cautioned that changes or modifications not expressly approved by the party responsible for compliance could void your authority to operate the LCD AV.

#### **FCC STATEMENT**

This LCD AV complies with part 15 FCC Rules. Operation is subject to the following two conditions (1) This device may not cause harmful interference. (2) This LCD AV must accept and interference received, including interference that may cause undesired operation.

#### Canada Regulatory compliance statements

This LCD AV does not exceed the Class B limits for radio noise emissions from digital apparatus as set out in the radio interference regulations of Industry Canada.

## Table of Contents

Warning.....	2
Important Safeguards.....	3
Safety Precautions.....	4
Table of Contents.....	5
Components.....	5
Feature.....	6
Exploring Your New Monitor.....	7
Function Keys Instruction for AV.....	8
I/O Connection.....	9
OSD (On Screen Display).....	10
AV/S-Video OSD-Image.....	10
AV/S-Video OSD-Audio.....	11
AV/S-Video OSD-Setup.....	12
VGA OSD-Image.....	13
VGA OSD-Audio.....	14
VGA OSD-Setup.....	15
Applicable Timing.....	16
Specification.....	17
Wall Mountable.....	18
Dimension.....	19

LCD Color Monitor	x1
Accessories	
(a) Power cord	x1
(b) User Manual	x1
(c) VGA Cord	x1
(d) Mounting base	x1
(e) PC audio cord	x1
(f) Adaptor	x1

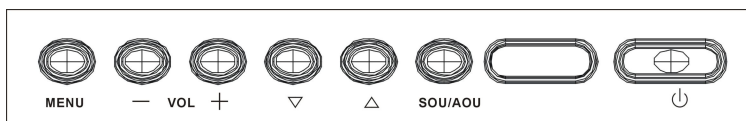
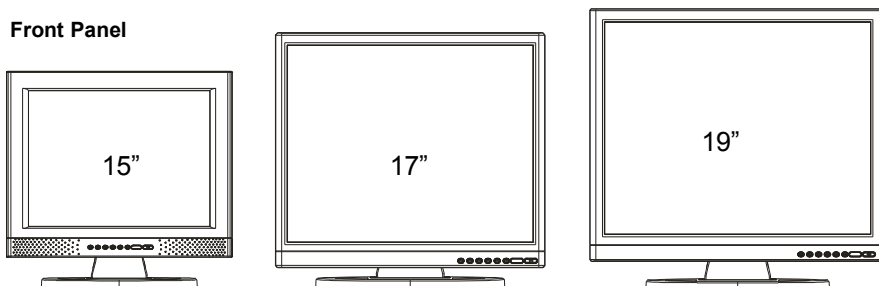
## Feature

- ★ Bright, flick-free image
- ★ Accurate color processing
- ★ Multi-Scan support
- ★ Built-in internal amplifier and speakers
- ★ 1280\*1024 SVGA support for computer input (17" / 19")

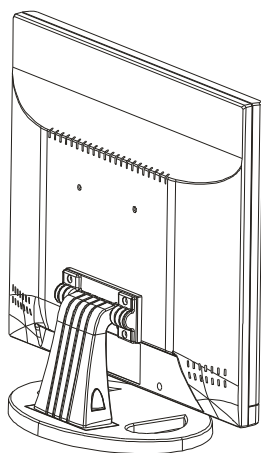
## Exploring Your New Monitor

You can operate your monitor by using the buttons on the front panel.

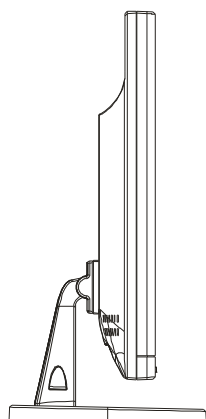
### Front Panel



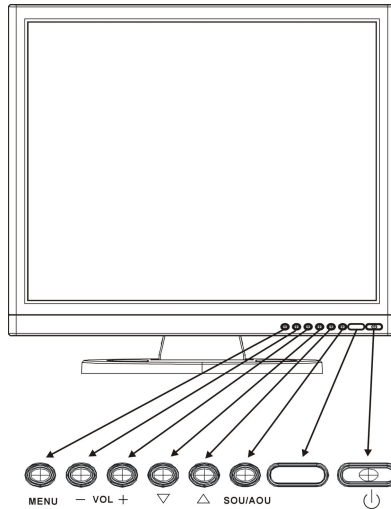
### Back



### Side



## Function Keys Instruction for AV



Up: Scroll up the menu bar, hot key to adjust channel up

Down: Scroll down the menu bar, hot key to adjust channel down

**MENU**

Menu: Activate OSD menu



Right : Increase setting the menu bar, hot key to adjust volume up



Left : Decrease setting the menu bar, hot key to adjust volume down

**SOU/AOU**

Source: Change input source / Auto adjust



Power: Turn on or off the main board



## I/O Connection:

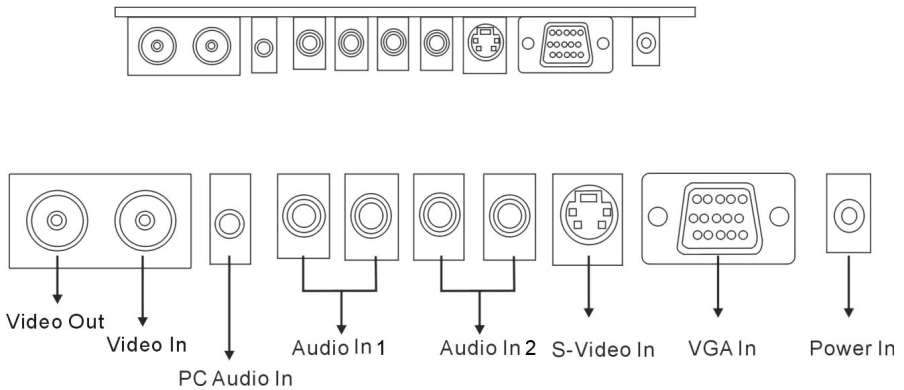
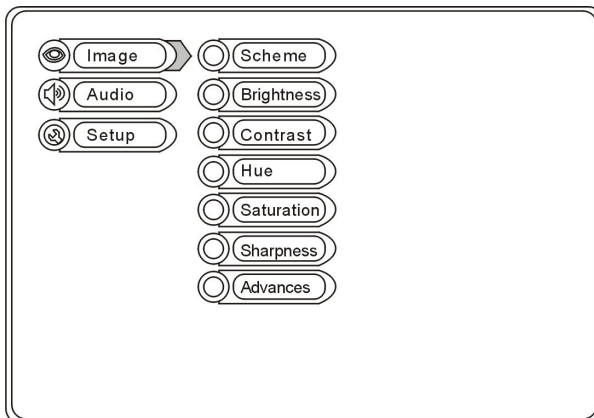


Illustration :

- Video Out is present “AV video out”
- Video In is present “AV video in”
- PC Audio In is present “PC audio in”
- Audio In 1 is present “AV audio in”
- Audio In 2 is present “S-Video audio in”
- S-Video In is present “S-Video video in”
- VGA In is present “PC - VGA signal in”
- Power In is present “Power in”

## OSD (On Screen Display)

### AV / S-Video OSD - Image



**Scheme:** Normal / Vivid / Cinema

**Brightness:** Picture brightness adjustment  
Min. ~ Max.:0~100 / Default:70

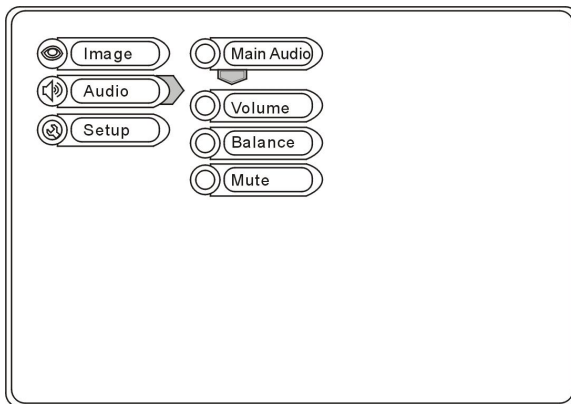
**Contrast:** Picture Contrast adjustment  
Min. ~ Max.:0~100 / Default:80

**Hue:** To adjust the color tint value  
Min. ~ Max.:0~100 / Default:50

**Saturation:** Adjusts the saturation of the color  
Min. ~ Max.:0~100 / Default:50

**Sharpness:** Sets the desired sharpening enhancement to the picture  
Min. ~ Max.:0~23 / Default:12

## AV / S-Video OSD – Audio



**Volume:** Controls built-in speakers' output volumes

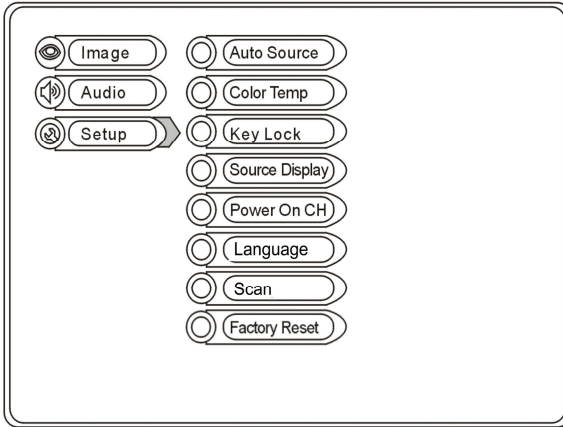
Min. ~ Max.:0~29 / Default:20

**Balance:** Adjusts the volume between speakers

Min. ~ Max.:0~20 / Default:10

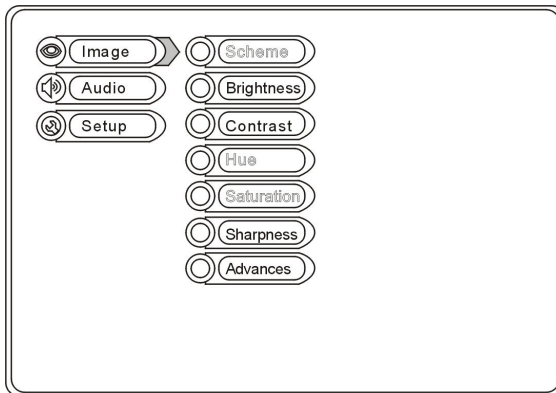
**Mute:** To disable the audio function

## AV / S-Video OSD - Setup



- Auto Source:** The monitor will auto detect the input source when the signal is not present
- Color Temp:** Selects color temperature of either 6500°K or 9300°K
- Key Lock:** The Key-Lock function is provided to prevent tempering.  
To unlock, press “+” and “MENU” button together
- Source Display:** This function is to allow the channel title to be displayed on the monitor
- Power On CH:** This function is to assign a specific input source when turn the monitor ON None / AV / S-VIDEO / VGA
- Language:** English
- Scan:** Full / Under / Over
- Factory Reset:** Restore all settings to Factory default

## VGA OSD - Image



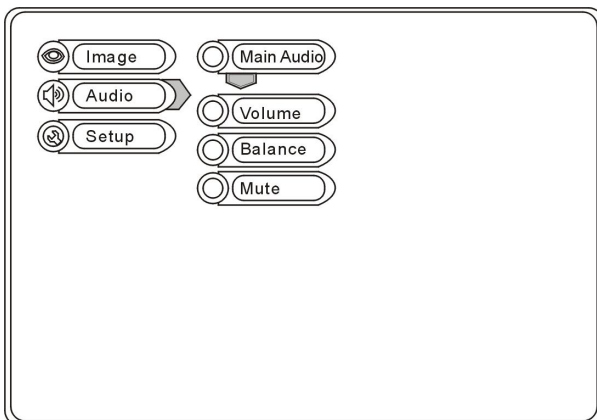
**Brightness:** Picture brightness adjustment  
Min. ~ Max.:0~100/ Default:70

**Contrast:** Picture contrast adjustment  
Min. ~ Max.:0~100 / Default:80

### **Advanced:**

- Auto Adjust: VGA signal auto detection and adjustment
- Image Pos: Image position adjustment include H. V.
- Phase: It adjusts the sampling phase across one pixel time. When the phase is not adjusted properly, the picture will be unclear  
Therefore this value should be carefully adjusted  
Note: improper adjustment will cause image failure
- Clock: It adjusts the numbers of the pixel clock across one line time  
Therefore it can affect the picture position and size  
Note: improper adjustment will cause image failure

## VGA OSD - Audio



**Volume:** Controls built-in speakers' output volumes

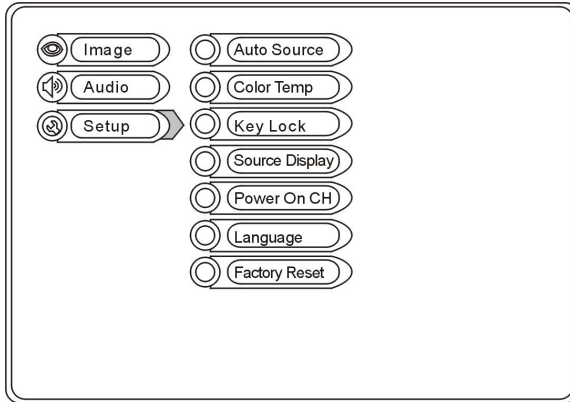
Min. ~ Max.:0~29 / Default:20

**Balance:** Adjusts the volume between speakers

Min. ~ Max.:0~20 / Default:10

**Mute:** To disable the audio function

## VGA OSD - Setup



- Auto Source:** The monitor will auto detect the input source when the signal is not present
- Color Temp:** Selects color temperature of either 6500°K or 9300°K
- Key Lock:** The Key-Lock function is provided to prevent tempering. To unlock, press “+” and “MENU” button together
- Source Display:** This function is to allow the channel title to be displayed on the monitor
- Power On CH:** This function is to assign a specific input source when turn the monitor ON None / AV / S-VIDEO / VGA
- Language:** English
- Factory Reset:** Restore all settings to Factory default

## Applicable Timing

### VGA Timing

There are a total of 11 timing modes that can be saved in memory by FIFO detecting architecture.

### VGA Support Timing

Mode	No.	Resolution	H Freq. (kHz)	V Freq. (Hz)	Pixel clock (MHz)	15"	17"	19"
						1024*768 75Hz	1280*1024 75Hz	1280*1024 75Hz
VGA	104	640x480@60	31.469	59.940	25.175	-	-	-
	105	640x480@72	37.861	72.809	31.500	-	-	-
	106	640x480@75	37.500	75.000	31.500	-	-	-
SVGA	108	800x600@60	37.879	60.317	40.000	-	-	-
	109	800x600@72	48.077	72.188	50.000	-	-	-
	110	800x600@75	46.875	75.000	49.500	-	-	-
XGA	111	1024x768@60	48.363	60.004	65.000	-	-	-
	112	1024x768@70	56.576	70.069	75.000	-	-	-
	113	1024x768@75	60.023	75.029	78.750	-	-	-
SXGA	114	1280x1024@60	63.980	60.000	108.000	-	-	-
	115	1280x1024@75	79.976	75.025	135.000	-	-	-

### PC RGB Input

Input Signal	Analog RGB 0.7Vp-p
Input Impedance	75 Ohm $\pm$ 2%
Polarity	Positive, Negative
Amplitude	0 ~ 0.7 $\pm$ 0.05Vp
Multi-mode Supported	Horizontal Frequency: 30~80KHz Vertical Frequency: 50~75Hz

### Power Supply

Input Voltage	100~240VAC, 50/60Hz
Output Voltage	+12V DC, 5A

### Power Consumption

Power Management	On: 40W max. (Green LED) Off: 2.5W max. (Red LED)
------------------	--

### Environment

Operation Condition	Temperature	0°C to 50°C / 32°F to 122°F
	Relative Humidity	20% to 85%
Storage Condition	Temperature	-10°C to 60°C / 14°F to 140°F
	Relative Humidity	5% to 85%



## Specification

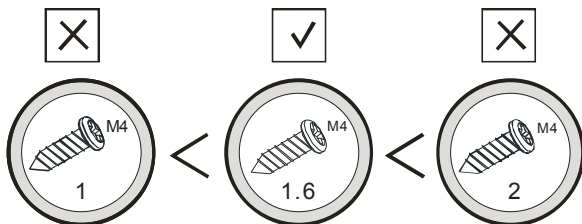
Model	15"	17"	19"
Display Resolution (Panel)	1024 x 768@75Hz	1280 x 1024@75Hz	1280 x 1024@75Hz
Active Area (mm)	304.1(H) x 228.1(V)mm	337.920 (H) x 270.336 (V)mm	376.32(H) x 301.056 (V)mm
Pixel Pitch	0.297mm	0.264mm	0.294mm
LCD Profile Ratio	4:3	5:4	
Display Color	16.2M colors	16.7M colors	
Brightness (Central)	350 cd/m <sup>2</sup> Typ.	250 cd/m <sup>2</sup> Typ.	
Contrast Ratio	500:1 typ.	800 : 1 typ.	1000 : 1 typ.
Viewing Angle	Left70°/Right 70° Up65°/Down65°	Left 85°/Right 85° Up80°/Down 80°	Left 85°/Right 85°/Up 75°/Down 85°
Response Time	12ms	5ms	
Video Input	D-SUB 15 pin x 1, Video In x 1 (BNC), S-Video In x 1		
Video Output	Video loop Out x 1 (BNC)		
Audio Input	Audio In x 2, PC-Audio In x 1		
Speaker	1W + 1W		
Power Consumption	20W		
Operation Temperature	0 to 50°C (32 to 122°F)		
Storage Temperature	-10 to 60°C (14 to 140°F)		
Dimension	378.5(W) x 361.5(H) x 48.5(D)mm	371.92(W) x 352.83(H) x 52(D)mm	420(W) x 400(H) x 53.8(D) mm
Weight	N.W./G.W.: 4KG / 4.5KG	N.W./G.W: 4.5 / 5.0KG	N.W./G.W.: 5KG/5.5KG

(\*1) The brightness spec. Is from panel spec.

(\*2) It is not guaranteed for all the specified range.

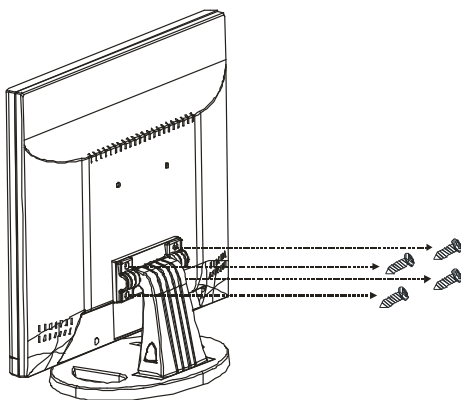
Design and Specifications are subject to change without notice.

## Wall Mountable

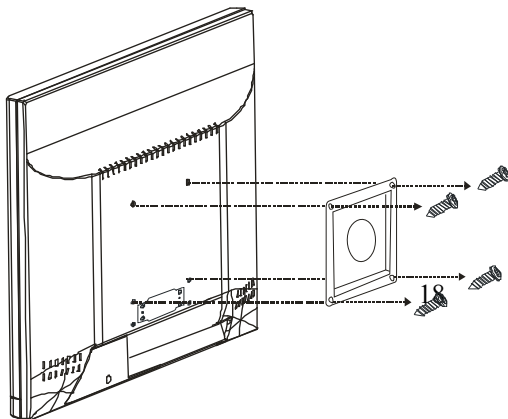


M4 x 16L

User please use the correct screw type when installation.

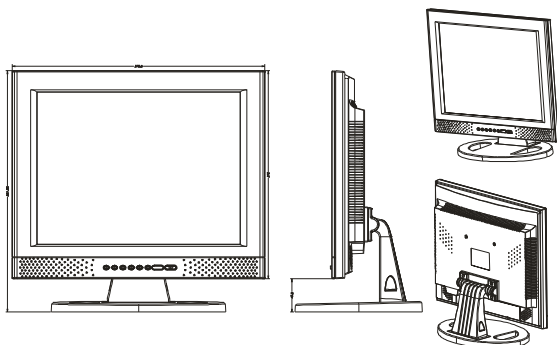


The desktop bracket and mount type bracket can use the same screw

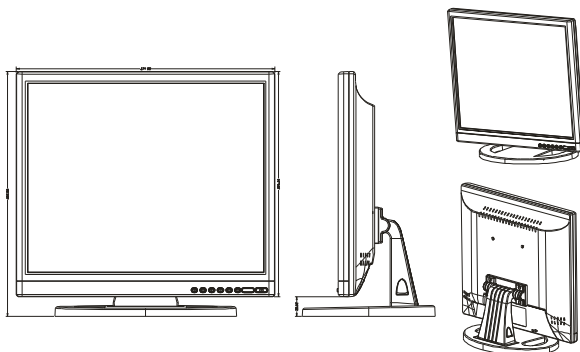


## Dimension

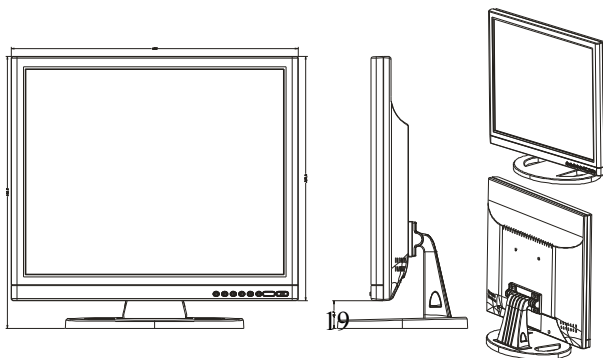
15" LCD



17" LCD



19" LCD



**85-ML1535-A002G-D**