

TEAC

LP-R400



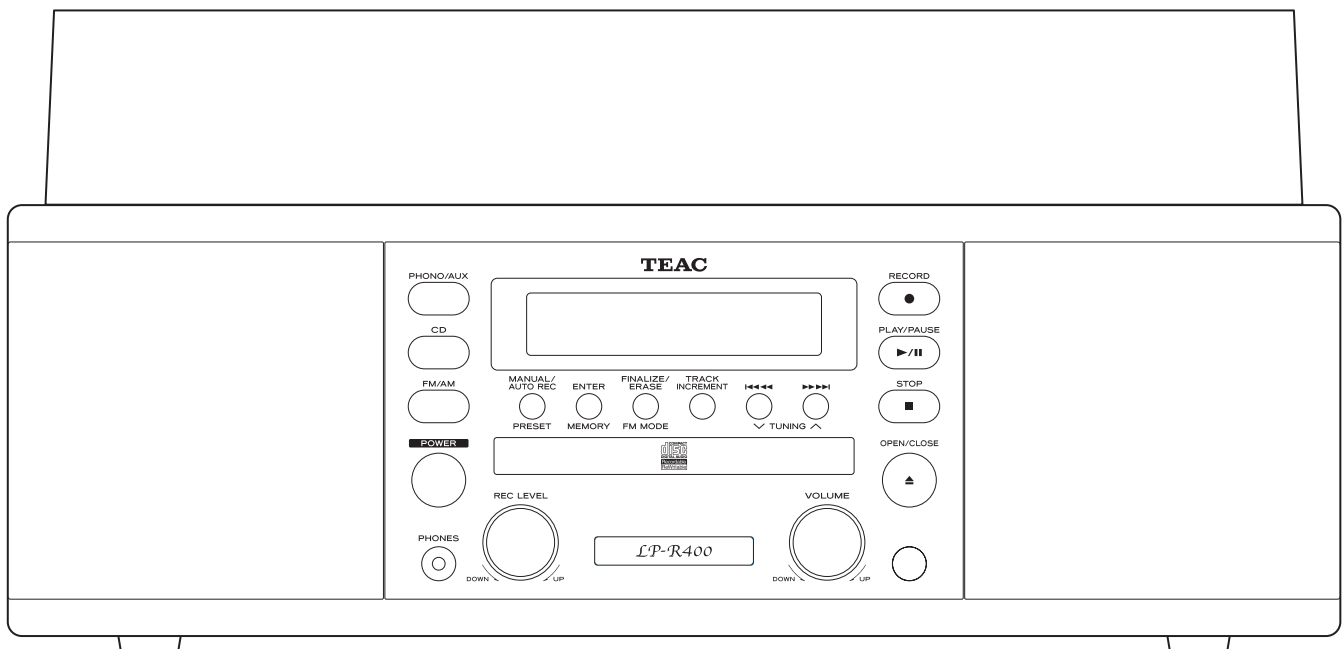
Multi music player/CD recorder

OWNER'S MANUAL
MANUEL DU PROPRIÉTAIRE
MANUAL DEL USUARIO

ENGLISH

FRANÇAIS

ESPAÑOL





CAUTION
RISK OF ELECTRIC SHOCK
DO NOT OPEN



CAUTION: TO REDUCE THE RISK OF ELECTRIC SHOCK, DO NOT REMOVE COVER (OR BACK). NO USER-SERVICEABLE PARTS INSIDE. REFER SERVICING TO QUALIFIED SERVICE PERSONNEL.



The lightning flash with arrowhead symbol, within an equilateral triangle, is intended to alert the user to the presence of uninsulated "dangerous voltage" within the product's enclosure that may be of sufficient magnitude to constitute a risk of electric shock to persons.



The exclamation point within an equilateral triangle is intended to alert the user to the presence of important operating and maintenance (servicing) instructions in the literature accompanying the appliance.

IMPORTANT SAFETY INSTRUCTIONS

- 1) Read these instructions.
 - 2) Keep these instructions.
 - 3) Heed all warnings.
 - 4) Follow all instructions.
 - 5) Do not use this apparatus near water.
 - 6) Clean only with dry cloth.
 - 7) Do not block any ventilation openings. Install in accordance with the manufacturer's instructions.
 - 8) Do not install near any heat sources such as radiators, heat registers, stoves, or other apparatus (including amplifiers) that produce heat.
 - 9) Do not defeat the safety purpose of the polarized or grounding-type plug. A polarized plug has two blades with one wider than the other. A grounding type plug has two blades and a third grounding prong. The wide blade or the third prong are provided for your safety. If the provided plug does not fit into your outlet, consult an electrician for replacement of the obsolete outlet.
 - 10) Protect the power cord from being walked on or pinched particularly at plugs, convenience receptacles, and the point where they exit from the apparatus.
 - 11) Only use attachments/accessories specified by the manufacturer.
 - 12) Use only with the cart, stand, tripod, bracket, or table specified by the manufacturer, or sold with the apparatus. When a cart is used, use caution when moving the cart/apparatus combination to avoid injury from tip-over.
-
- 13) Unplug this apparatus during lightning storms or when unused for long periods of time.
 - 14) Refer all servicing to qualified service personnel. Servicing is required when the apparatus has been damaged in any way, such as power-supply cord or plug is damaged, liquid has been spilled or objects have fallen into the apparatus, the apparatus has been exposed to rain or moisture, does not operate normally, or has been dropped.
- Do not expose this apparatus to drips or splashes.
 - Do not place any objects filled with liquids, such as vases, on the apparatus.
 - Do not install this apparatus in a confined space such as a book case or similar unit.
 - The apparatus draws nominal non-operating power from the AC outlet with its STANDBY/ON switch in the standby position.
 - The apparatus should be located close enough to the AC outlet so that you can easily grasp the power cord plug at any time.
 - An apparatus with Class I construction shall be connected to an AC outlet with a protective grounding connection.
 - Batteries (battery pack or batteries installed) shall not be exposed to excessive heat such as sunshine, fire or the like.
 - Excessive sound pressure from earphones and headphones can cause hearing loss.

WARNING: TO PREVENT FIRE OR SHOCK HAZARD, DO NOT EXPOSE THIS APPLIANCE TO RAIN OR MOISTURE.

CAUTION

- DO NOT REMOVE THE EXTERNAL CASES OR CABINETS TO EXPOSE THE ELECTRONICS. NO USER SERVICEABLE PARTS ARE WITHIN!
- IF YOU ARE EXPERIENCING PROBLEMS WITH THIS PRODUCT, CONTACT TEAC FOR A SERVICE REFERRAL. DO NOT USE THE PRODUCT UNTIL IT HAS BEEN REPAIRED.
- USE OF CONTROLS OR ADJUSTMENTS OR PERFORMANCE OF PROCEDURES OTHER THAN THOSE SPECIFIED HEREIN MAY RESULT IN HAZARDOUS RADIATION EXPOSURE.

For U.S.A.

This equipment has been tested and found to comply with the limits for a Class B digital device, pursuant to Part 15 of the FCC Rules. These limits are designed to provide reasonable protection against harmful interference in a residential installation. This equipment generates, uses, and can radiate radio frequency energy and, if not installed and used in accordance with the instructions, may cause harmful interference to radio communications. However, there is no guarantee that interference will not occur in a particular installation. If this equipment does cause harmful interference to radio or television reception, which can be determined by turning the equipment off and on, the user is encouraged to try to correct the interference by one or more of the following measures:

- Reorient or relocate the equipment and/or the receiving antenna.
- Increase the separation between the equipment and receiver.
- Connect the equipment into an outlet on a circuit different from that to which the receiver is connected.
- Consult the dealer or an experienced radio/TV technician for help.

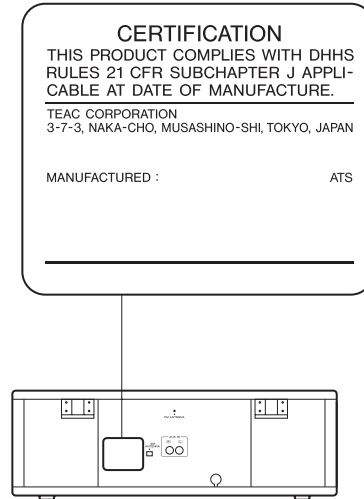
CAUTION

Changes or modifications to this equipment not expressly approved by TEAC CORPORATION for compliance will void the user's warranty.

This product has been designed and manufactured according to FDA regulations "title 21, CFR, chapter 1, subchapter J, based on the Radiation Control for Health and Safety Act of 1968", and is classified as class 1 laser product. There is not hazardous invisible laser radiation during operation because invisible laser radiation emitted inside of this product is completely confined in the protective housings.

The label required in this regulation is shown ①.

① For U.S.A.



Optical pickup :

- Type : SF-W37SGT
- Manufacturer : SANYO ELECTRIC CO., LTD.
- Laser output : Less than 1 mW (Play) on the objective lens
Less than 5 mW (Record) on the objective lens
Less than 10 mW (Erase) on the objective lens
- Wavelength : 783 nm

Contents

Thank you for choosing TEAC. Read this manual carefully to get the best performance from this unit.

Contents	4
Before using the unit	4
Handling Records	5
How to Replace the Stylus	5
Discs	6
Turntable Cover	7
Connection	8
Parts of the Turntable	9
Unit Functions and Remote Control	10
Remote Control Unit	12
Basic Operation (Listening to an external source)	12
Listening to the Radio	13
Preset Tuning	14
Listening to a Record	15
Listening to a CD	17
Time Display	18
Repeat Playback	19
Shuffle Playback	19
Programmed Playback	20
Before Recording	21
Recording	22
Finalize	24
Erase or Unfinalize a CD-RW	25
Troubleshooting	26
Messages	27
Specifications	27

Before using the unit

Read this before attempting any operations

- The nominal temperature should be between 5°C and 35°C (41°F and 95°F). The CD-RW recorder is more sensitive to extremes of temperature than ordinary CD players.
- Relative humidity should be 30 to 90 degrees noncondensing.
- As the unit may become warm during operation, always leave sufficient space around the unit for ventilation.
- The voltage supplied to the unit should match the voltage as printed on the rear panel. If you are in any doubt regarding this matter, consult an electrician.
- Choose the installation location of your unit carefully. Avoid placing it in direct sunlight or close to a source of heat. Also avoid locations subject to vibrations and excessive dust, heat, cold or moisture.
- Do not place the unit on an amplifier/receiver.
- Do not open the cabinet as this might result in damage to the circuitry or electrical shock. If a foreign object should get into the unit, contact your dealer or service company.
- When removing the power plug from the wall outlet, always pull directly on the plug, never yank the cord.
- To keep the laser pickup clean, do not touch it, and always close the disc tray.
- Do not attempt to clean the unit with chemical solvents as this might damage the finish. Use a clean, dry cloth.
- Keep this manual in a safe place for future reference.

DO NOT MOVE THE UNIT DURING PLAYBACK

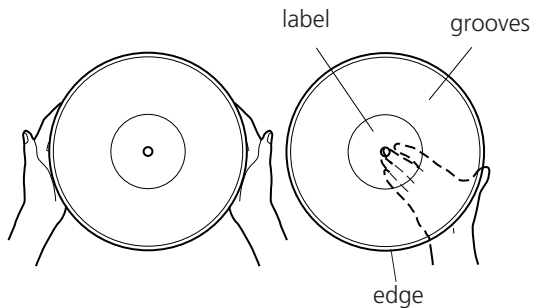
During playback, the disc rotates at high speed. Do NOT lift or move the unit during playback. Doing so may damage the disc or the unit.

WHEN MOVING THIS UNIT

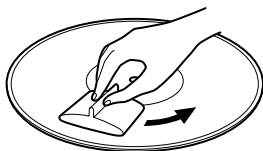
When changing the unit's location or packing the unit for moving, be sure to remove the record or disc. Moving this unit with the record or disc loaded may result in damage to this unit. If the unit is to be packed and moved a great distance, it is also advisable to tighten the turntable transport locking screw. See Page 9 for instructions.

Handling Records

- Do not touch the record's grooves. Only handle records, by the edges or the label, with clean hands. Skin oils from even clean hands can leave a residue on the record surface that will gradually deteriorate the quality of your record.



- Keep your records away from dust. Keep them in a cool, dry place.
- To avoid dust and scratches, keep records in their sleeves and jackets when not in use.
- Store records upright on their edges. Records stored horizontally will eventually bend and warp.
- Do not expose records to direct sunlight or high humidity and temperature. Long exposure to high temperatures will warp the record.
- Do not store your records in the trunk of your car. The temperature in a closed trunk can ruin your collection.
- Store records in an area with stable temperature and humidity.
- Should the record become dirty, gently wipe the surface in a circular motion, using a soft anti-static cloth. Commercial record cleaning systems are available from many retailers or on-line. TEAC does not endorse any specific product but, depending on the condition of your record collection, it may be advisable to look into one of these systems. Clean records protect your stylus from undue wear.



How to Replace the Stylus

The stylus should last about 50 hours under normal use. However, it is recommended that the stylus be replaced as soon as you notice a change in sound quality.

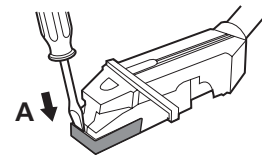
Prolonged use of a worn-out stylus may damage the record. Wear and tear on the stylus will be accelerated when playing 78 RPM records. The higher speed of 78 RPM records wears the stylus more quickly.

Caution:

- Do not remove or bend the stylus.
- To avoid injury, do not touch the needle.
- Turn off the unit's power before you replace the stylus.
- Keep out of the reach of children.
- Handle with care, as the stylus is delicate. Use of a bent or broken stylus may damage the record and cause the turntable to malfunction.
- Do not expose stylus to extreme heat.
- Contact a qualified repair company if you experience difficulty in changing the stylus.

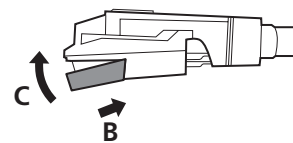
Removing old stylus

1. Set a screwdriver at the tip of the stylus and push down to the direction "A".
2. Remove the stylus by pulling it forward and down.



Installing a new stylus

1. Hold the tip of the stylus and insert the other edge by pressing in the direction "B".
2. Push up in the direction "C" until it locks at the tip.



The replacement stylus for this LP-R400 is an STL-103. Please contact TEAC Parts at (323) 726-0303, extension 840 to order. Or call our automated Service Agency Locator at: (800) 447-TEAC for the closest authorized repair company that can replace the stylus for you.

Please use CD, CD-R and CD-RW discs bearing the "DIGITAL AUDIO" mark.

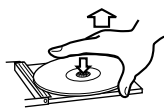


This unit **CANNOT RECORD CD-R and CD-RW discs designed for computer systems.**



In this manual, although we refer to "CD-R" and CD-RW" discs, we always mean "CD-R Digital Audio" and "CD-RW Digital Audio", even when this is not explicitly stated.

- CD-R and CD-RW discs designed for computer systems and properly recorded by a computer are playable, but this unit cannot record, finalize nor erase them.
- Depending on the quality of the disc and/or the condition of the recording, some CD-R/CD-RW discs may not be playable.
- Copy-protected discs and other discs which do not conform to the CD standard may not play back correctly in this player. If you use such discs in this unit, TEAC Corporation and its subsidiaries cannot be responsible for any consequences or guarantee the quality of reproduction. If you experience problems with such non-standard discs, you should contact the producers of the disc.
- Always place the disc on the disc tray with the label side uppermost. (Compact discs can be played or recorded only on one side.)
- To remove a disc from its storage case, press down on the center of the case and lift the disc out, holding it carefully by the edges.



How to remove the disc

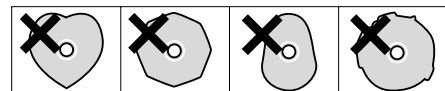


How to hold the disc

- Should the disc become dirty, wipe the surface radially (from the center hole outward towards the outer edge) with a soft, dry cloth:



- Never use such chemicals as record sprays, antistatic sprays or fluid, benzine or thinner to clean the discs. Such chemicals will do irreparable damage to the disc's plastic surface.
- Discs should be returned to their cases after use to avoid dust and scratches that could cause the laser pickup to "skip."
- Do not expose discs to direct sunlight or high humidity and temperature for extended periods. Long exposure to high temperatures will warp the disc.
- Do not play any disc that is warped, deformed or damaged. Playing such discs may cause irreparable harm to the playing mechanisms.
- CD-R and CD-RW discs are more sensitive to the effects of heat and ultraviolet rays than ordinary CDs. It is important that they are not stored in a location where direct sunlight will fall on them, and away from sources of heat such as radiators or heat-generating electrical devices.
- Printable CD-R and CD-RW discs aren't recommended, as the label side might be sticky and damage the unit.
- Do not stick papers or protective sheets on the discs and do not use any protective coating spray.
- Use a soft oil-based felt-tipped pen to write the information on the label side. Never use a ball-point or hard-tipped pen, as this may cause damage to the recorded side.
- Never use a stabilizer. Using commercially available CD stabilizers with this unit will damage the mechanisms and cause them to malfunction.
- Do not use CDs with an irregular shape (octagonal, heart shaped, business card size, etc.). CDs of this sort can damage the unit:



- If you are in any doubt as to the care and handling of a CD-R/CD-RW disc, read the precautions supplied with the disc, or contact the disc manufacturer directly.

About CD-R and CD-RW discs

CD-R discs can be recorded once only. Once they have been used for recording, they cannot be erased or re-recorded. However, if space is available on the disc (and the disc has not been finalized), additional material can be recorded.

By contrast, a CD-RW disc can be used in much the same way as a CD-R disc, but the last track or tracks recorded can be erased, and the space on the disc can be re-used for other recordings.

However, you should note that an audio CD created using a CD-RW disc may not play back satisfactorily on every audio CD player.

CD-R, by contrast, may be played satisfactorily on the majority of audio CD players.

Finalizing

Although audio data may be written on a CD-R or CD-RW disc, a standard CD player will not be able to play back the audio until a final table of contents (TOC) has been written at the start of the disc.

The process of writing this table of contents is known as "finalizing". Once this has been done, no further data can be written to the disk.

Note that a CD-RW disc that has been finalized can be "unfinalized". This allows further tracks to be recorded to the disc, provided that there is space on the disc.

- Repeat, shuffle and programmed playback don't work with unfinalized (NO TOC) discs.

Recordable discs

In this manual, we use the term "recordable" disc to describe a CD-R or CD-RW disc that has not been finalized, and has enough space to record.

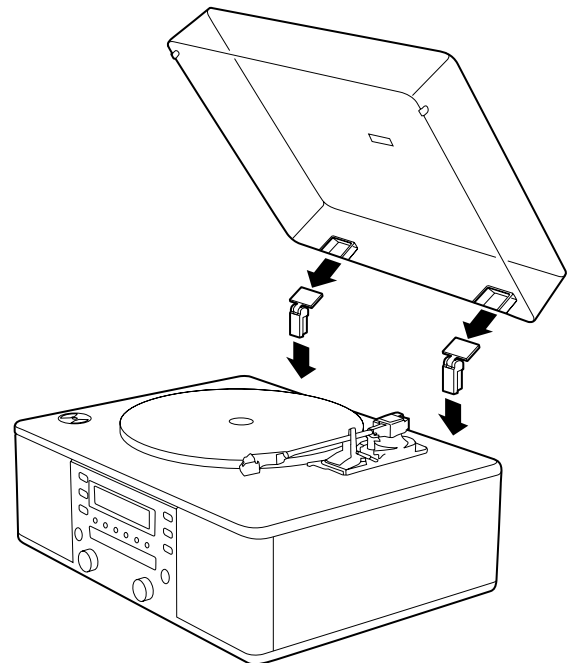
Turntable Cover

To attach the turntable cover

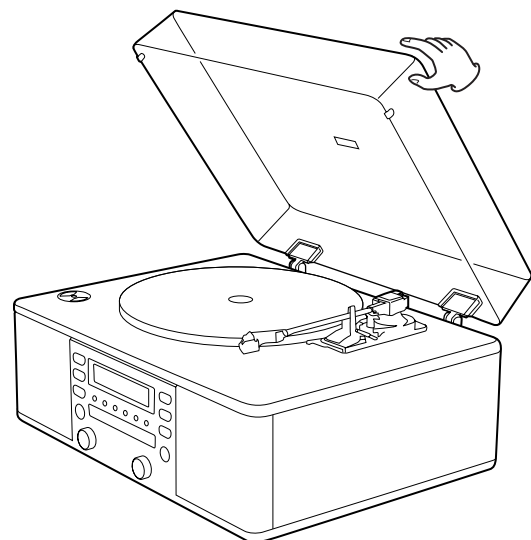
1. Slide the hinges on both sides of the rear of the turntable into the hinge fittings as far as they will go.
2. Place the turntable cover hinge fittings over the top portion of the hinges and slide the cover down into place.

To detach the turntable cover

Hold the cover on both sides and gently pull upward to remove it from the hinges.



How to open/close the turntable cover



To Open:

- Lift the turntable cover halfway until it stops.
- The cover will now stay open.

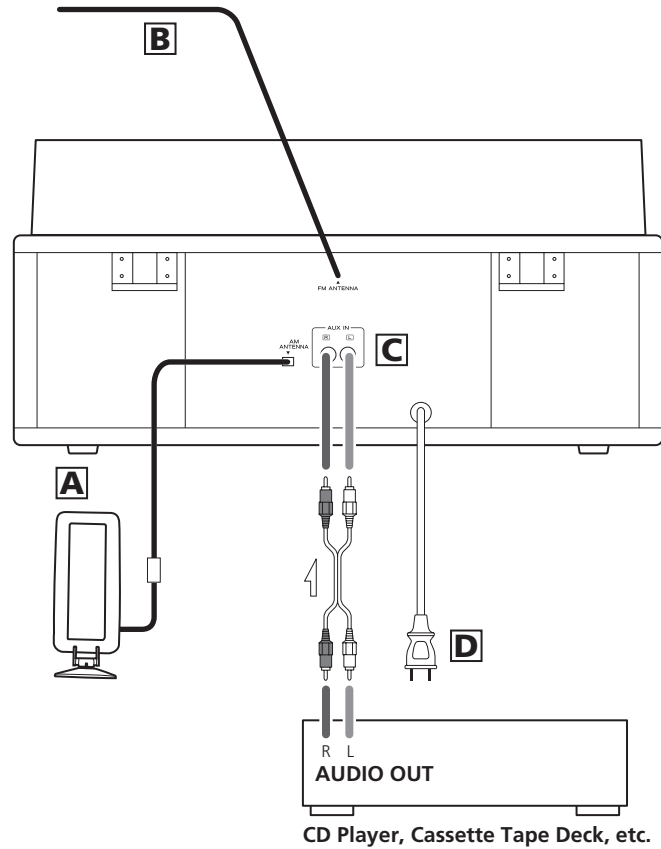
To Close:

- Slowly lower the cover until it touches the turntable base.

Note:

- Make sure you grasp the cover by the edges to avoid pinching your fingers as it closes.

Connection

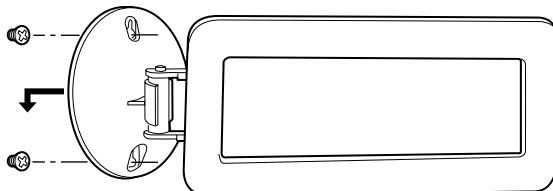


CAUTION:

- Switch off the power to all equipment before making connections.
- Read the instructions of each component you intend to use with this unit.
- Be sure to insert each plug securely. To prevent hum and noise, avoid bundling the signal interconnection cables together with the AC power cord.

A AM loop antenna

Position the antenna for the best sound.
If you want, you can hook the AM antenna on a wall as shown below:



B FM antenna

While in FM mode, tune in an FM station and extend the lead to find the best position for the reception. This antenna may need to be repositioned if you move your unit to a new location.

C AUX IN jacks

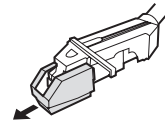
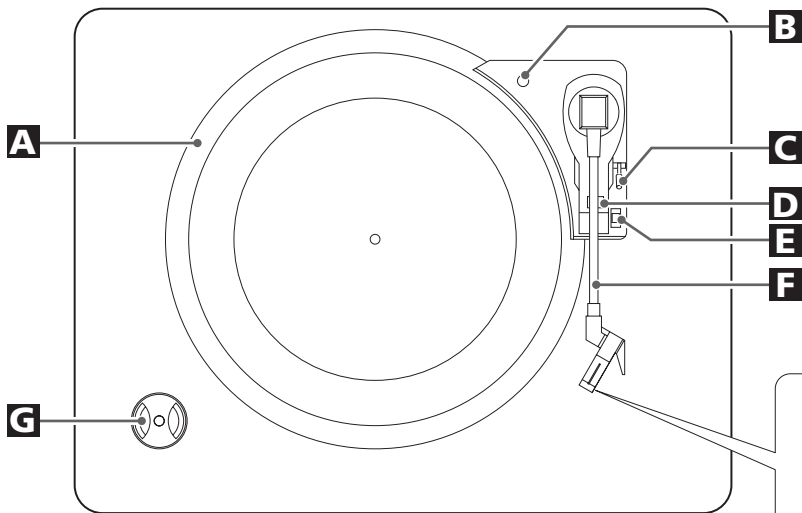
You can connect a CD player, cassette tape deck, etc. to this unit.

Connect the component with RCA pin cords. Make sure to connect the white plug to the white jacks (Left) and the red plug to the red jacks (Right).

D AC Power Cord

Plug this AC power cord into an AC wall socket.

Parts of the Turntable

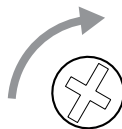


Before use, detach the stylus guard (white plastic cover) by pulling it straight off the front of the cartridge in the direction of the arrow.

A turntable

B screw fixing the turntable for transportation

Before use, completely loosen the screw by turning it clockwise with a coin or screwdriver.



When you transport the unit, turn the screw counterclockwise to secure the turntable.

C cue-lever

Use this lever to lift the tone arm.

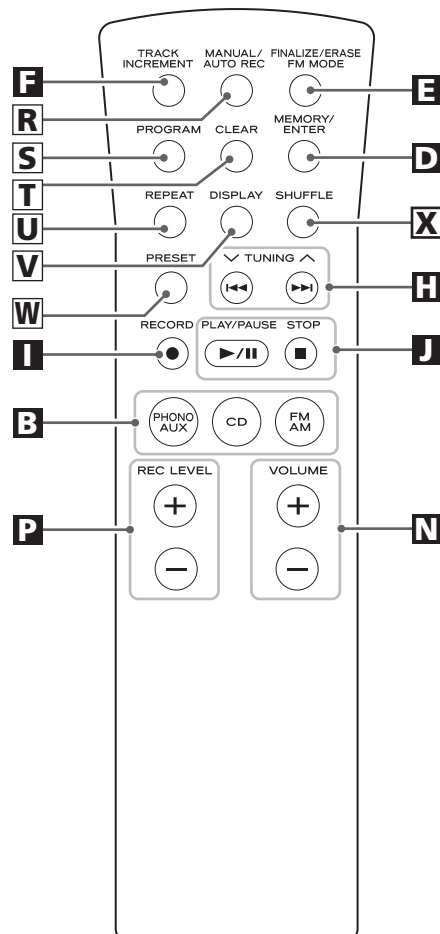
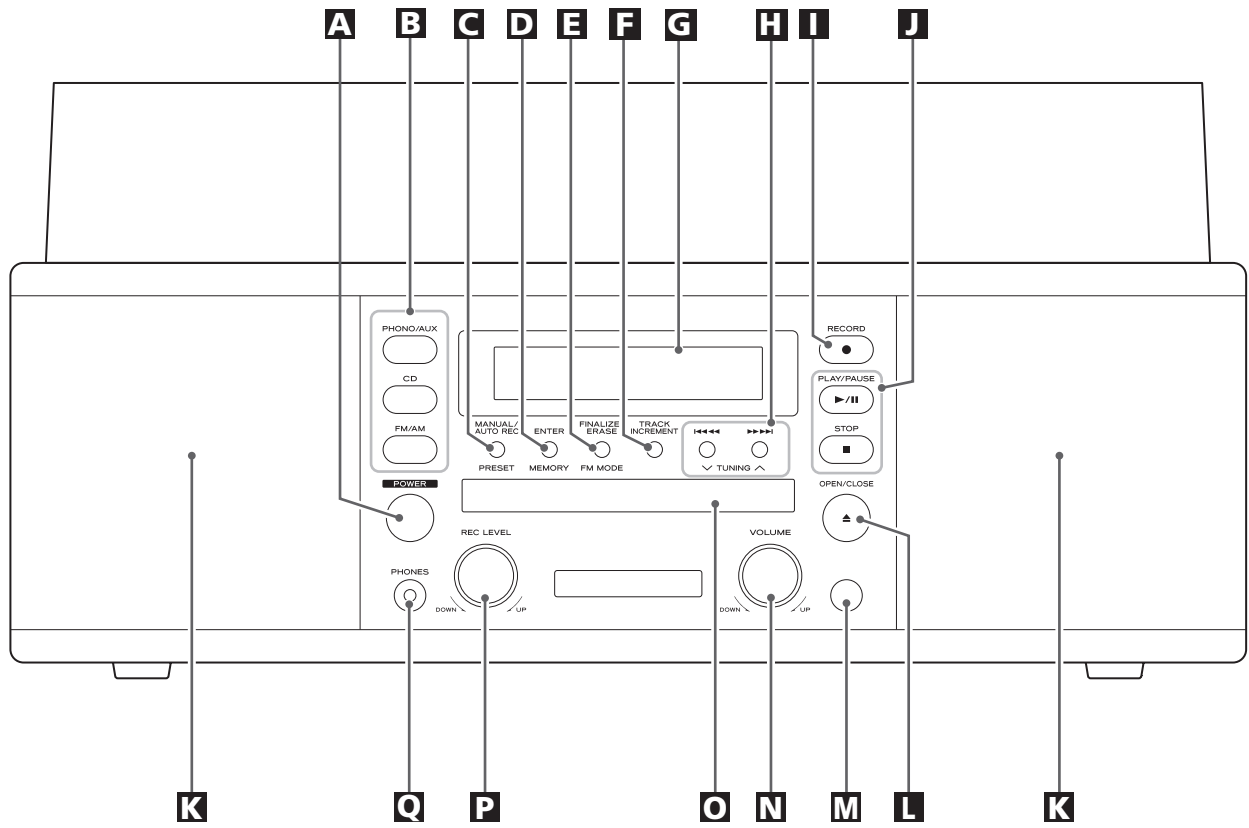
D tone arm holder

E speed selector

F tone arm

G 45 RPM adaptor

Unit Functions and Remote Control



A POWER

Press this button to turn the unit on or off.

B PHONO/AUX, CD, FM/AM

Press the PHONO/AUX button and select PHONO to play a record.

Press the PHONO/AUX button and select AUX to listen to the external source connected to the AUX IN jacks.

Press the CD button to play a CD.

Press the FM/AM button to listen to the radio.

C MANUAL/AUTO REC, PRESET

Use this button to select the mode of track number assignment.

In TUNER mode, use this button to select a preset station.

D MEMORY/ENTER

Use this button to preset stations.

Also use this button to start finalizing and erasing.

E FINALIZE/ERASE, FM MODE

Use this button to finalize a CD-R/CD-RW disc.

Use this button to erase or unfinalize a CD-RW disc.

Use this button to select FM MODE.

F TRACK INCREMENT

During recording, use this button to divide tracks.

G Display**H Skip (◀◀ / ▶▶), TUNING (∨ / ∧)**

In CD mode, use these buttons to skip tracks.

Hold down these buttons to search for a part of a track.

In FM/AM mode, use these buttons to tune in a station.

I RECORD

Use this button to enter record pause mode.

J CD operation buttons**PLAY/PAUSE (▶ / II)**

Use this button to start or pause playback and recording.

STOP (■)

Use this button to stop playback or recording.

K Speakers (stereo)**L OPEN/CLOSE**

In CD or PHONO/AUX mode, use this button to open and close the disc tray.

- This button doesn't work in FM/AM mode.

M Remote Sensor

When operating the remote control unit, point it towards the REMOTE SENSOR.

N VOLUME

Turn this knob to adjust the volume.

O Disc Tray**P REC LEVEL**

In record pause mode, use this knob to adjust the recording level.

Q PHONES

For private listening, first reduce the volume level to minimum. Then insert the plug from your headphones into the PHONES jack, and adjust the volume by turning the VOLUME knob. The sound from speakers will be cut off while the headphones are plugged in.

R MANUAL/AUTO REC

Use this button to select the mode of track number assignment.

S PROGRAM

In CD mode, use this button to program tracks.

T CLEAR

In CD mode, use this button to clear programmed tracks.

U REPEAT

In CD mode, use this button to select repeat mode of CD.

V DISPLAY

In CD mode, use this button to change the display.

W PRESET

In TUNER mode, use this button to select a preset station.

X SHUFFLE

In CD mode, use this button for shuffle playback.

Note:

To simplify explanations, instructions refer to names of buttons and controls on the front panel, making no mention of the use of remote control unit.

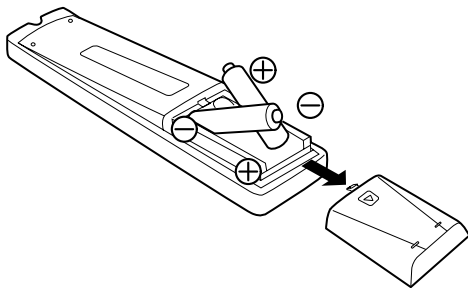
Remote Control Unit

The provided Remote Control Unit allows the unit to be operated from a distance.

When operating the remote control unit, point it towards the REMOTE SENSOR on the front panel of the unit.

- Even if the remote control unit is operated within the effective range, remote control operation may be impossible if there are any obstacles between the unit and the remote control.
- If the remote control unit is operated near other appliances which generate infrared rays, or if other remote control devices using infrared rays are used near the unit, it may operate incorrectly. Conversely, the other appliances may operate incorrectly.

Battery Installation



- 1** Remove the battery compartment cover.
- 2** Insert two "AA" (R6, SUM-3) dry batteries. Make sure that the batteries are inserted with their positive "⊕" and negative "⊖" poles positioned correctly.
- 3** Close the cover.

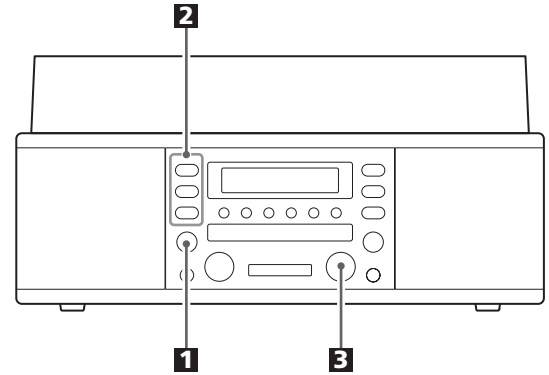
Battery Replacement

If the distance required between the remote control unit and main unit decreases, the batteries are exhausted. In this case replace the batteries with new ones.

Precautions concerning batteries

- Be sure to insert the batteries with correct positive "⊕" and negative "⊖" polarities.
- Use batteries of the same type. Never use different types of batteries together.
- Rechargeable and non-rechargeable batteries can be used. Refer to the precautions on their labels.
- When the remote control unit is not to be used for a long time (more than a month), remove the batteries from the remote control unit to prevent them from leaking. If they leak, wipe away the liquid inside the battery compartment and replace the batteries with new ones.
- Do not heat or disassemble batteries and never dispose of old batteries by throwing them in a fire.

Basic Operation



- 1** Press the **POWER** switch to turn the unit on.

POWER



- 2** Select a source by pressing the corresponding button.

PHONO/AUX



CD



FM/AM



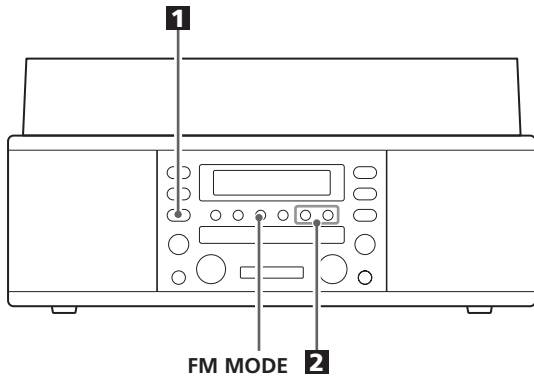
- To listen to an external source connected to AUX jacks, select AUX by pressing the PHONO/AUX button once or twice.

- 3** Play the source, and adjust the volume by turning the **VOLUME** knob.

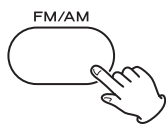
VOLUME



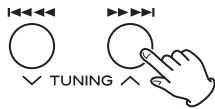
The volume is adjustable from 0 to 40.



1 Select FM or AM using the FM/AM button.



2 Select the station you want to listen to (auto selection).



Hold down the TUNING button (∨ or ∧) until the frequency display begins to change.

- When a station is tuned in, the tuning process will stop automatically.
- Press the TUNING button (∨ or ∧) to stop the auto selection.

Selecting stations which cannot be tuned automatically (manual selection)

When the ∨ or ∧ button is pressed momentarily, the frequency changes by a fixed step.

Press the ∨ or ∧ button repeatedly until the station you want to listen to is found.

FM MODE button

Pressing this button alternates between STEREO mode and MONO mode.



STEREO

FM stereo broadcasts are received in stereo and the "STEREO" indicator lights in the display.

- If the sound is distorted and the "STEREO" indicator flashes, the signal is not strong enough for good stereo reception. In this case, change to MONO mode.

MONO

To compensate for weak FM stereo reception, select this mode. Reception will now be forced to monaural, reducing unwanted noise.

If the reception is poor

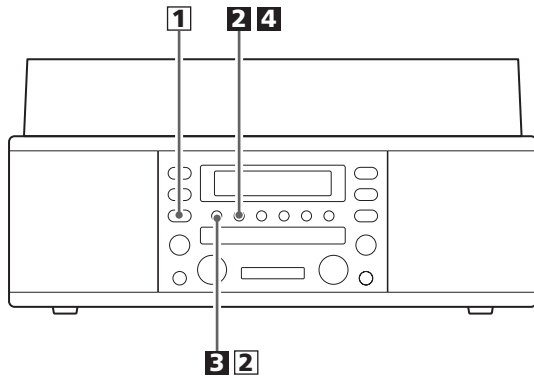
AM broadcast

Turn around the AM antenna and/or the unit to find the best position for AM stations.

FM broadcast

Extend and turn around the FM antenna so that you can receive the stations clearly.

Preset Tuning



You can store FM and AM stations into preset channels 1 to 9 respectively.

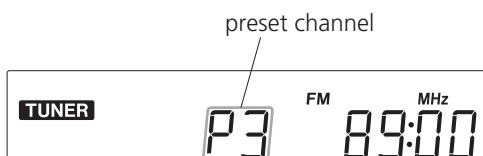
1 Tune in a station you want to listen to (see steps **1** to **2** of page 13).

2 Press the ENTER/MEMORY button.



- You can tune in another station even after the ENTER/MEMORY button has been pressed.

3 Select a preset channel to store the station using the PRESET button.



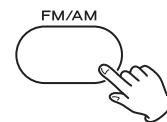
4 Press the ENTER/MEMORY button.



The station is stored and the MEMORY indicator goes off. To store more stations, repeat steps **1** to **4**.

How to select preset stations

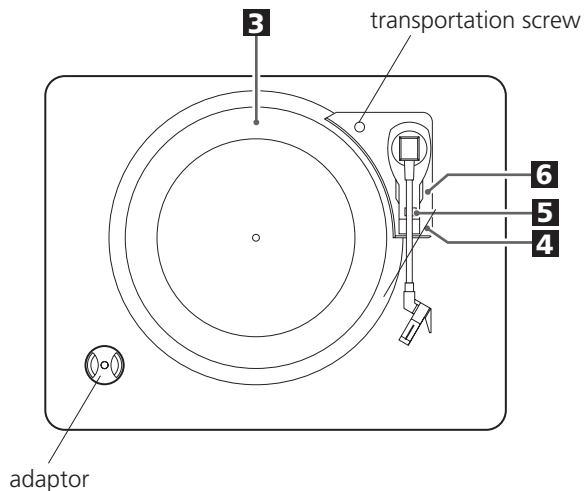
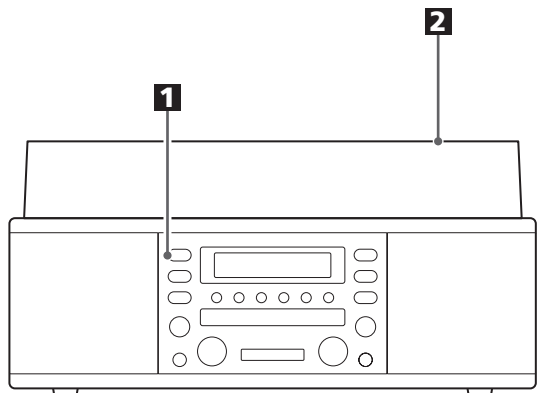
1 Press the FM/AM button to select a band.



2 Press the PRESET button repeatedly until the desired preset station is found.

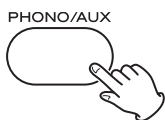


Listening to a Record 1

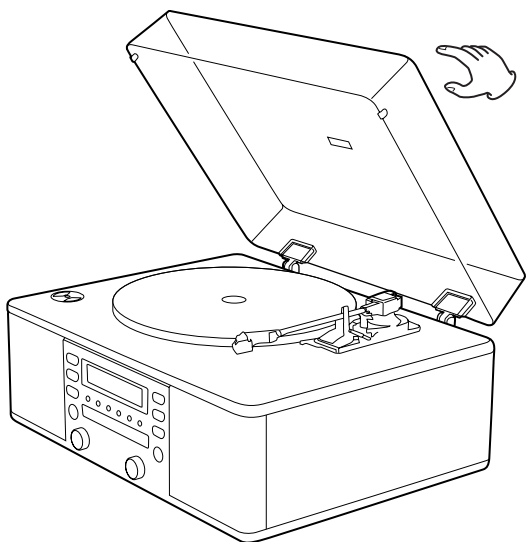


- Before use, completely loosen the transportation screw by turning them clockwise with a coin and remove the stylus guard.

1 Press the PHONO/AUX button once or twice to select PHONO.



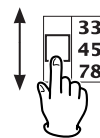
2 Gently open the dust cover.
Be careful not to pinch your finger.



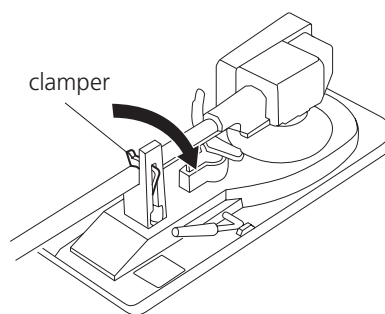
3 Put the record on the turntable.

When playing a 45 RPM record, use the included adaptor.

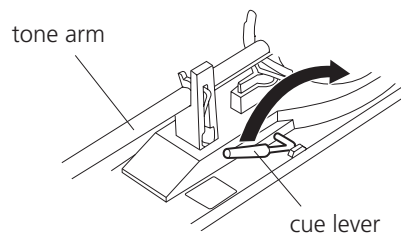
4 Select the speed.



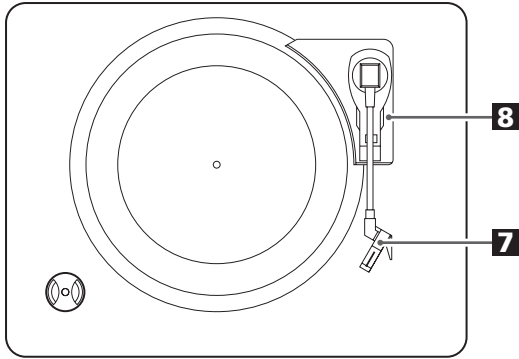
5 Gently push the clamber to the right to release the tone arm.



6 Raise the cue lever to lift the tone arm off the tone arm support.

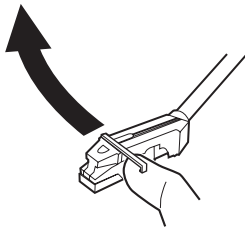


Listening to a Record 2



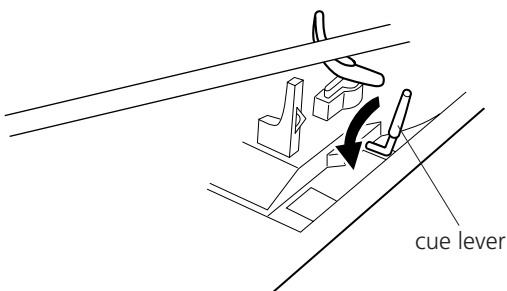
7 Move the tone arm gently to the edge of the record (or the starting point of a track).

The turntable will begin to turn.



8 Gently lower the tone arm by slowly releasing the cue lever.

You can lower the tone arm manually if the cue lever has not been raised.

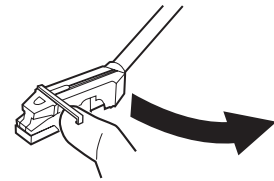
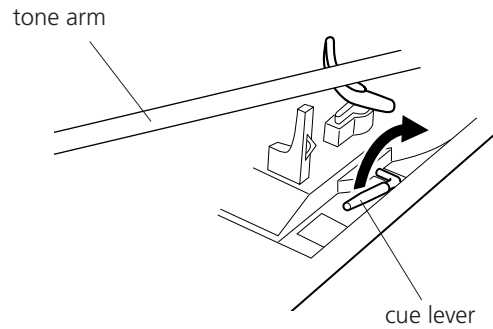


- Playing records with the dust cover down will prevent dust from settling on the turntable.

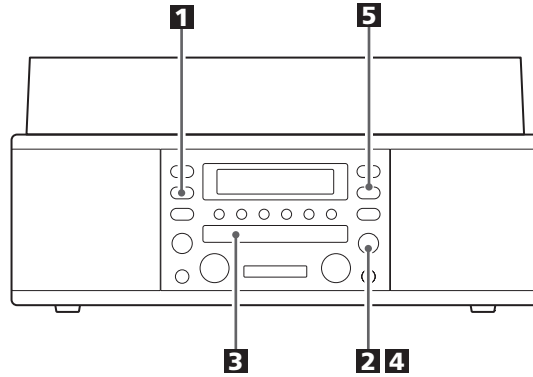
Please do not place anything on top of the turntable cover, especially while playing a record.

When the playback has been finished, the tone arm automatically returns to the tone arm holder and the rotation stops.

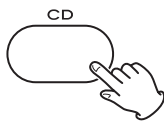
To stop playback manually, slightly lift the tone arm using the cue lever and return it to the tone arm holder.



Listening to a CD 1

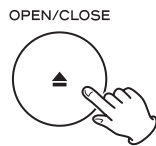


1 Press the CD button.

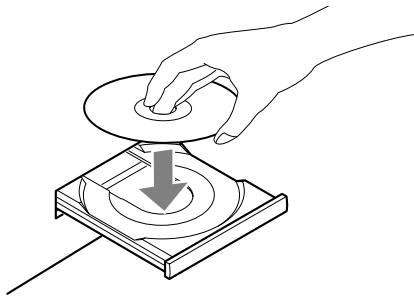


"--" blinks for a few seconds.
When no disc is set, "no DISC" appears on the display.

2 Press the OPEN/CLOSE button (▲) to open the tray.

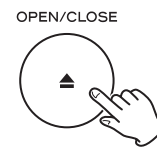


3 Place a disc on the tray with the printed label face up.

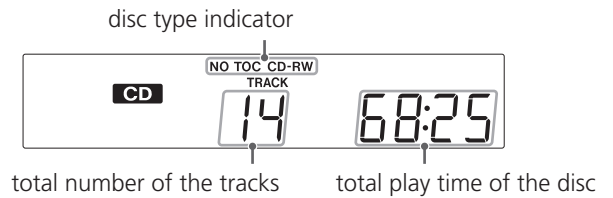


- Never place more than one disc on the tray.
- The disc must be placed in the center of the disc tray. If the disc is not correctly loaded, it may not be possible to open the tray again once it has closed, so you should ensure the disc is always centered on the tray.
- Do not force the tray by hand during opening and closing operations.

4 Press the OPEN/CLOSE button (▲) to close the tray.



- It takes a few seconds for the unit to load the disc. No buttons will work during loading. Wait until the total number of the tracks and the total play time of the disc are displayed.



- The disc type indicator shows the type of disc currently loaded.

CD:

A commercial pre-recorded CD

CD-R:

A finalized CD-R

CD-RW:

A finalized CD-RW

NO TOC CD-R:

A CD-R which has yet to be finalized

NO TOC CD-RW:

A CD-RW which has yet to be finalized

blank:

No disc or unreadable disc

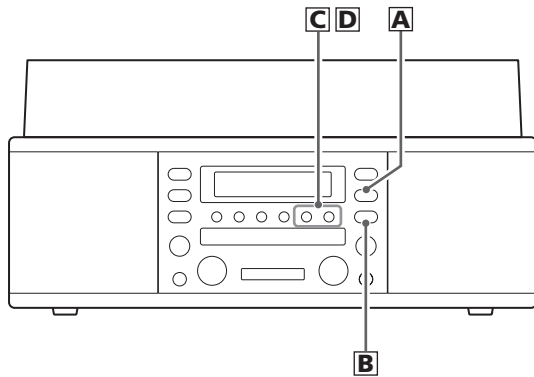
5 Press the PLAY/PAUSE button (▶/||) to start playback.



Disc playback starts from the first track, and ▶ lights on the display.

- If you load the disc, and then press the PLAY/PAUSE button without having first closed the disc tray, the disc tray closes and playback starts.

Listening to a CD 2

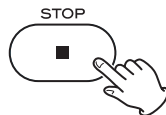


A To suspend playback temporarily (pause mode)



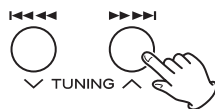
Press the PLAY/PAUSE button (▶/||) during playback. Playback stops at the current position. To resume playback, press the PLAY/PAUSE button (▶/||) again.

B To stop playback



Press the STOP button (■) to stop playback.

C To skip to the next or a previous track

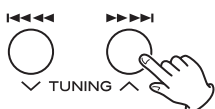


During playback, repeatedly press the ◀◀ or ▶▶ button until the desired track is found. The selected track will be played from the beginning.

In the stop mode, press the ◀◀ or ▶▶ button repeatedly until the track you want to listen to is found, and press the PLAY/PAUSE button (▶/||) to start playback from the selected track.

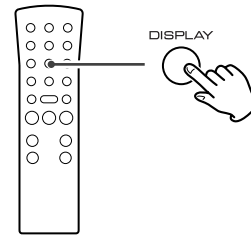
- When the ◀◀ button is pressed during playback, the track being played will be played from the beginning. To return to the beginning of the previous track, press the ◀◀ button twice.

D Search for a part of a track



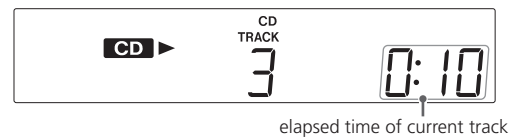
During playback, hold down the ◀◀ or ▶▶ button and release it when the part you want to listen to is found.

Time Display

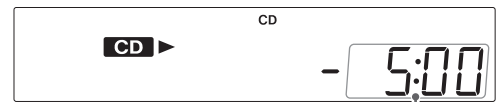


Each time the DISPLAY button is pressed, the display changes as follows:

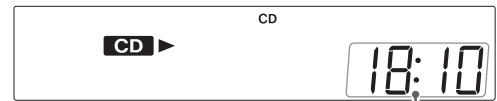
CD/CD-R/CD-RW playback



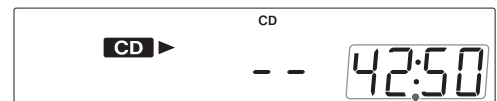
elapsed time of current track



time remaining for current track

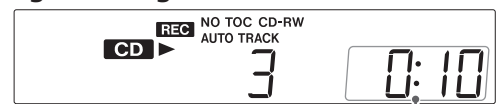


total elapsed time of the disc

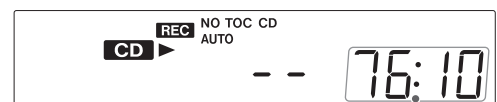


time remaining for the disc

During recording



elapsed recording time of the track

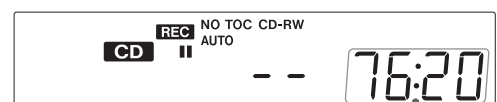


remaining recording time of the disc

In record pause mode

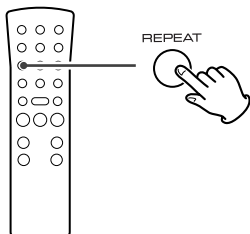


next recording track number

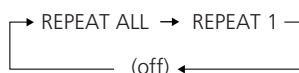


remaining recording time of the disc

Repeat Playback



Each time the REPEAT button is pressed, the repeat mode is changed as follows:



REPEAT ALL (Repeat All the Tracks)

Press the REPEAT button once during playback.
All the tracks of the disc will be played repeatedly.

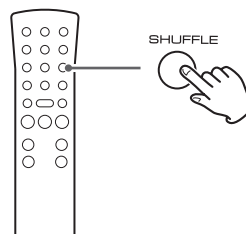
REPEAT 1 (Repeat one track)

Press the REPEAT button twice during playback.
The track being played will be played repeatedly. If you press the ◀◀ or ▶▶ button and select another track, the track you selected will be played repeatedly.

It is also possible to select a track to be repeated in the stop mode. Press the REPEAT button twice and then select the track number by pressing the ◀◀ or ▶▶ button. Press the PLAY/PAUSE button to start playback.

- If one of the following buttons is pressed, repeat mode will be cancelled:
OPEN/CLOSE, POWER, FM/AM, PHONO/AUX
- Repeat playback works with finalized discs only.

Shuffle Playback



The tracks can be played randomly. Press the SHUFFLE button during playback. (In the stop mode, press the SHUFFLE button and the PLAY/PAUSE button.)

When the shuffle playback of all the tracks has been finished, the unit stops but the shuffle playback mode is not cancelled.

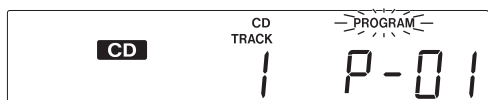
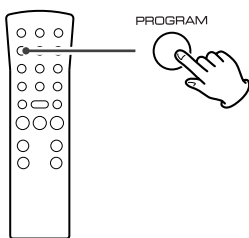
- If you press the ▶▶ button during shuffle playback, next track will be randomly selected and played. If you press the ◀◀ button, the currently played track will be played from the beginning. A track cannot be replayed during shuffle playback.
- Shuffle playback doesn't work during programmed playback.
- If one of the following buttons is pressed, playback will stop but shuffle mode will not be cancelled:
SHUFFLE in the stop mode, OPEN/CLOSE, POWER, FM/AM, PHONO/AUX
- Shuffle playback works with finalized discs only.

Programmed Playback

Up to 32 tracks can be programmed in the desired order.

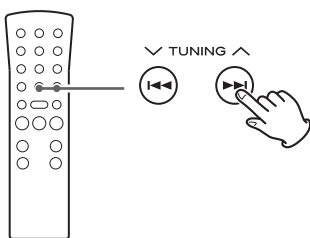
- Insert a disc and select "CD" before beginning programming.
- Shuffle playback does not work during programmed playback.
- Programmed playback works with finalized discs only.

1 Press the PROGRAM button in the stop mode.

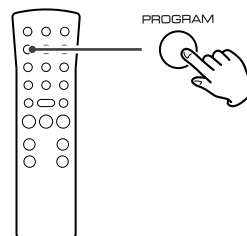


"PROGRAM" indicator blinks, and "P-01" appears on the display.

2 Press the ◀◀ or ▶▶ button to select a track.



3 Press the PROGRAM button.

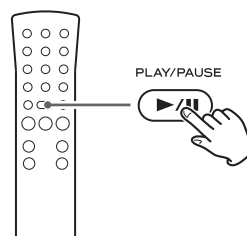


The track is programmed, and "P-02" is displayed.

Repeat steps 2 and 3 to program more tracks.

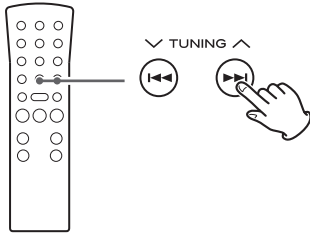
- You can program up to 32 tracks.
- To cancel the program mode, press the STOP button (■).

4 When the selection of track numbers has been finished, press the PLAY/PAUSE button (▶/||) to start program playback.



To check the programmed order

In the stop mode, press the ◀◀ or ▶▶ button repeatedly to show the track numbers that have been stored in memory.

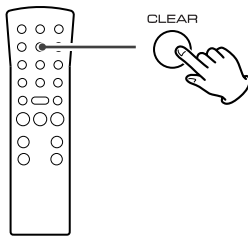


To add a track to the end of the program

In the stop mode, press the PROGRAM button.
Select a track number by pressing the ◀◀ or ▶▶ button,
and then press the PROGRAM button.
The track is added to the end of the program.

To delete the last track from the program

In the stop mode, press the CLEAR button to delete the last track from the program.



To clear the program

If one of the following buttons is pressed, the programmed contents will be cleared:

OPEN/CLOSE, POWER, FM/AM, PHONO/AUX,
STOP in the stop mode

Before you start recording, make sure that you understand the following points:

- The unit requires Digital Audio CD-R or CD-RW media for recording. Computer CD-R or CD-RW discs do not work with this unit.
- Once you have recorded on a CD-R disc, the data cannot be erased from it.
- You can add tracks to an unfinalized recordable disc. Once finalized, a CD-R disc is "fixed" and behaves in the same way as a CD. Finalized CD-RW discs, however, can be unfinalized, erased and re-recorded.
- If the STOP button or PLAY/PAUSE button is pressed within four seconds from the beginning of a track, the unit continues to record no signal and stops when the track's length reaches four seconds.
- When the recording is finished, "REC" and "- END - - -" blink for a few seconds, and the unit then goes into stop mode. Do not apply shock or vibration to the unit during recording.
- If the disc reaches the end during recording, the unit will start a fade-out over a few seconds. When the fade-out has finished, the unit finalizes the disc automatically and stops.
- If the disc reaches the end of the 99th track during recording, the unit finalizes the disc automatically and stops.
- The recording time of a track may differ slightly from the original one.

Serial Copy Management System

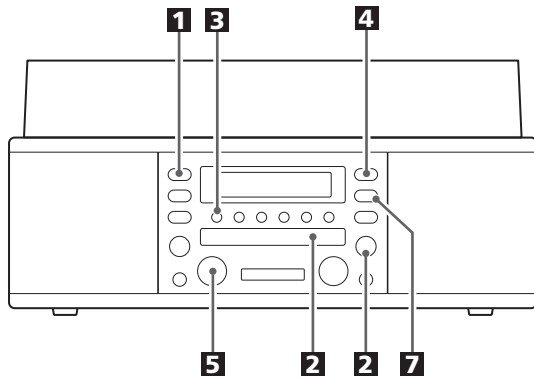
This unit is in compliance with the Serial Copy Management System standard. This standard has been established to restrict digital-to-digital copying to only the first generation. The basic rules governing this system are as follows:

Rule 1

A digital recording is possible from a digital source such as a CD, DAT or MD onto a recordable CD-R, CD-RW, MD or DAT through a digital input connection. However, further digital-to-digital recording is prohibited for the second and later generations.

Rule 2

When an analog source such as an analog disc or FM broadcast is digitally recorded by using a CD-R, CD-RW, MD or DAT, this recorded source can be digitally recorded on another CD-R, CD-RW, MD or DAT. However, further digital copying is prohibited.



Audio from the PHONO or AUX sources can be recorded on the CD recorder.

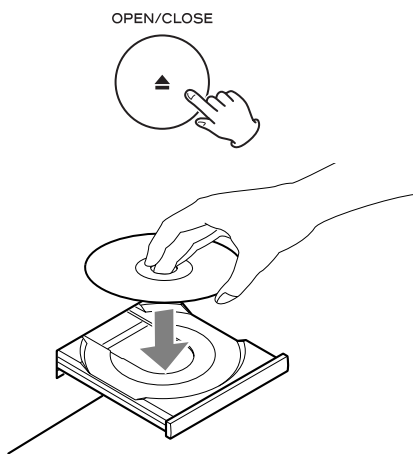
1 Press the PHONO/AUX button once or twice to select the source to be recorded.



To record a record, select PHONO.

To record an external source connected to the AUX IN jacks, select AUX.

2 Load a recordable CD-R or CD-RW disc into the unit.



Press the OPEN/CLOSE button (▲), place a disc on the disc tray with the printed label side up, and then press the OPEN/CLOSE button (▲) to close the disc tray.

Make sure "NO TOC" and "CD-R" (or "CD-RW") indicators light on the display, or the RECORD button in step **4** will not work.

3 Select the mode of track number assignment using the MANUAL/AUTO REC button.



When the MANUAL/AUTO REC button is pressed once, the current mode is displayed. Press the MANUAL/AUTO REC button repeatedly to select any other mode.

-- (MANUAL)

The unit doesn't divide tracks.

Use the TRACK INCREMENT button to divide tracks.

MANUAL is recommended for recording an analog source such as a record.

-20db, -30db or -40db (AUTO REC)

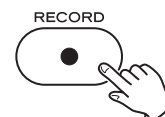
The unit will automatically insert a track division in the recorded material when the sound level has dropped below the threshold for more than 2 seconds, and sound has restarted.

"-20db" takes a louder signal to trigger the track increment.

"-40db" means that a relatively quiet signal will trigger the track increment. "-40db" is suitable for recording a noiseless source such as a CD.

- AUTO REC may not work properly with analog sources that contain low-level noises.
- The AUTO indicator lights when -20dB, -30dB or -40dB is selected.
- The default setting is MANUAL (off). When the unit is turned on, the setting is automatically reset to MANUAL (off).
- The MANUAL/AUTO REC button doesn't work during recording or in the record pause mode.

4 Press the RECORD button.



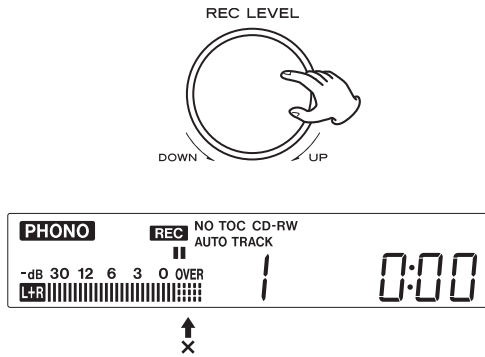
The red indicator on the RECORD button blinks.

The unit enters record pause mode.

In record pause mode, "REC" indicator blinks and the || indicator lights on the display.

- No button will work while "BUSY" is displayed. Wait a few seconds until "BUSY" disappears from the display.
- If the red indicator on the RECORD button doesn't light, reload a recordable disc, wait a few seconds until "NO TOC" and "CD-R" (or "CD-RW") indicators light on the display, and press the RECORD button again.

- 5** If necessary, adjust the recording level using the REC LEVEL knob.

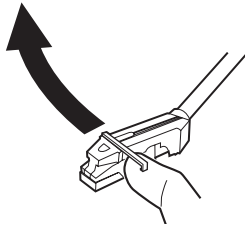


Play the source to be recorded and adjust the recording level so that the loudest sound does not exceed the "OVER" indicator on the peak level meter.

The level can be adjusted from -∞ (∞) dB to 18 dB.

- The default setting is 0 dB. When the unit is turned on, or when the STOP button is pressed, the setting is automatically reset to 0 dB.

- 6** If PHONO is selected in step **1**, gently lower the tone arm onto the edge of the record (or the track to be recorded).



When the turntable is stopped, the PLAY/PAUSE button will not work and you cannot start recording.

- 7** Press the PLAY/PAUSE button to start recording.



Never turn the power off nor unplug the power cord during recording.

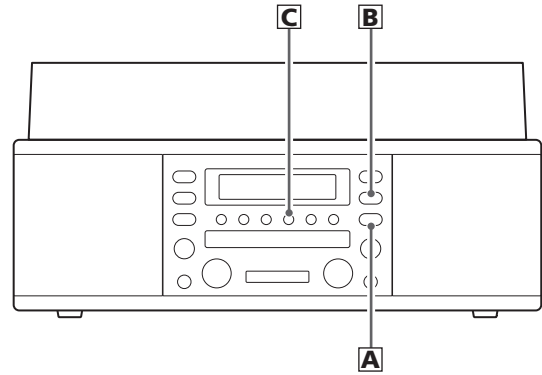
- 8** If AUX is selected in step **1**, play the source to be recorded.

When the playback of the source has been finished, press the STOP button to stop recording.

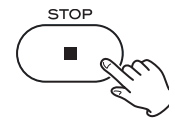
When the recording is stopped, "END" flashes and the number of recorded tracks and total play time will be displayed for 10 seconds.

When the tone arm returns to the tone arm holder and the rotation of the turntable stops, the recording will stop automatically.

But to prevent unwanted noise from the tone arm being recorded, stop the recording manually by using the STOP button.



- A** To stop recording



Press the STOP button (■) to stop recording.

- B** To suspend recording temporarily (pause mode)



Press the PLAY/PAUSE button (▶/||). "BUSY" briefly appears on the display, and the recording is paused.

To restart recording, press the PLAY/PAUSE button (▶/||) again.

- You cannot restart recording while "BUSY" is displayed.
- Remember that every time recording is paused or stopped, a new track number will always be assigned. It is not possible to record in two "stages" within one track.

- C** Manual track division

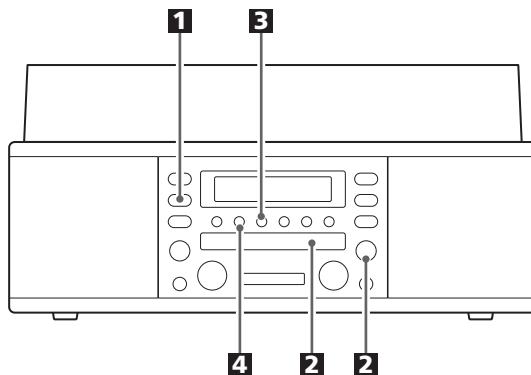
It is possible to divide the recording into tracks while recording.

While recording is taking place, press the TRACK INCREMENT button. The current track number will be incremented by one.



- The TRACK INCREMENT button works regardless of the MANUAL/AUTO REC setting.
- Due to the system restrictions of CD, a track cannot be less than four seconds in length, and there can be a maximum of 99 tracks on an audio CD.

Finalize

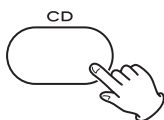


This section deals with the actions taken after recording. Once finalized, CD-R discs are truly final. No more tracks can be recorded on them. By contrast, CD-RW discs can be "unfinalized", and if there is space, further material can be recorded on them.

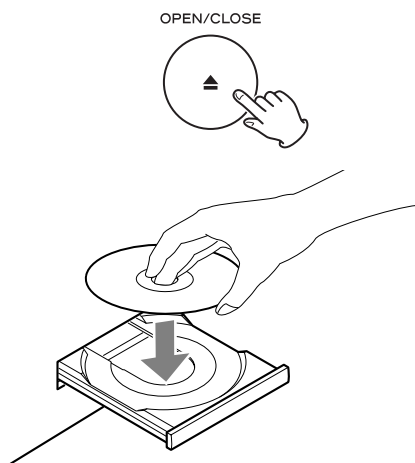
Finalizing

As has been explained earlier, in order for a disc to become a standard CD, it must have a Table of Contents (TOC) written to it. This process is known as finalizing.

1 Press the CD button to select "CD".



2 Load an unfinalized (recordable) disc.



3 Press the FINALIZE/ERASE button in the stop mode.



"FINAL" appears on the display.

- To cancel the finalizing process, press the STOP button (■).

4 Press the ENTER/MEMORY button to start finalizing.



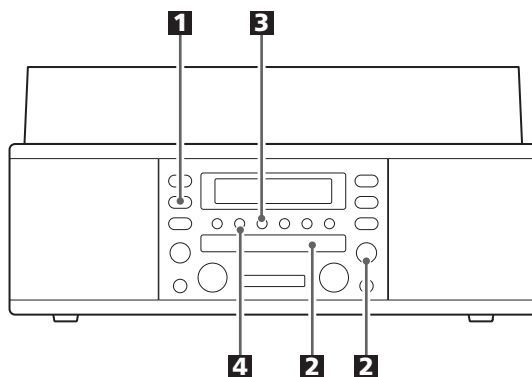
"NO TOC" and "REC" indicators blink, and the remaining time for the finalizing operation appears in the display. When the operation has been finished, the NO TOC indicator turns off and the display returns to the track/time display.

During finalizing, no button works.

Never turn the power off nor unplug the power cord.

- Although finalized CD-R discs may be played on ordinary CD players, remember that finalized CD-RW discs may not play on ordinary CD players.

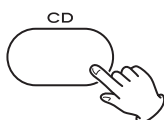
Erase or Unfinalize a CD-RW



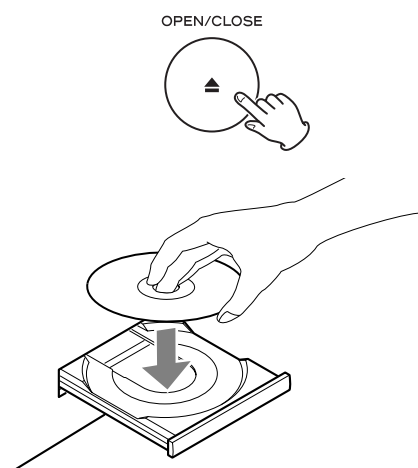
It is possible to erase the last recorded track. It is also possible to erase a whole disc.

Erase procedures are possible only on an unfinalized CD-RW disc. If a CD-RW disc has been finalized, unfinalize it prior to erasure. Remember that it is not possible to perform any erase or unfinalize procedures on a CD-R disc.

1 Press the CD button to select "CD".



2 Load a recorded CD-RW.



3 Press the FINALIZE/ERASE button in the stop mode.



"UnFINAL" (unfinalize) appears when a finalized disc is loaded.

"ErASE" and the last track number appear when the disc hasn't been finalized.

Each time the FINALIZE/ERASE button is pressed, the display changes as follows:

UNFINAL

Select this to unfinalize the disc.

ErASE XX (the number of the last track recorded on the disc)

Select this to erase the last track on the disc.

- This will not appear when only one track is recorded on the disc.

ErASE ALL

Select this to erase all the tracks.

- To cancel the erasing or unfinalizing process, press the STOP button (■).

4 Press the ENTER/MEMORY button to start erasing or unfinalizing.



The remaining time for the operation appears in the display. When the operation has been finished, the display returns to the track/time display.

During erasing/unfinalizing, no buttons will work.

Never turn the power off nor unplug the power cord.

- This operation cannot be undone. If you are going to erase a track or tracks, make sure that they are recordings that you really want to erase.

If you experience any problems with the unit, please take a moment to look through this chart and see if you can solve the problem yourself before you call your dealer or a TEAC service center.

No power

- Check the connection to the AC power source. Check and make sure the AC source is not a switched outlet and if it is, the switch is turned on. Make sure there is power to the AC outlet by plugging another item such as a lamp or fan.

No sound.

- Adjust the volume.

The sound is noisy.

- The unit is too close to a TV set or similar appliances. Relocate the unit further away from them, or turn the other appliances off.

Remote control doesn't work.

- Press the POWER switch of the main unit to turn it ON.
- If the batteries are dead, change the batteries.
- Use the remote control unit within the (5m) range and pointed at the front panel.
- Clear obstacles that are between the remote control unit and the main unit.
- If a strong light is near the unit, turn it off.

CD Recorder

Will not play.

- Load a disc with the playback side facing down.
- If the disc is dirty, clean the surface of the disc.
- A blank disc has been loaded. Load a prerecorded disc.
- Depending on the disc, etc. it may not be possible to play back CD-R/CD-RW discs. Try again with another disc.

Sound skips.

- Place the unit on a stable surface to avoid vibration and shock.
- If the disc is dirty, clean the surface of the disc.
- Don't use scratched, damaged or warped discs.

Recording is not possible.

- A playback-only disc or finalized disc has been loaded. Use a recordable disc.
- The disc does not have a recordable area. Use another disc.
- The recording level is too low. Adjust the recording level.
- This unit cannot record CD-R or CD-RW discs designed for computer systems. Use a disc bearing the "DIGITAL AUDIO" mark.

Tuner

Cannot listen to any station, or signal is too weak.

- Tune in the station properly.
- If a TV is near the unit, turn it off.
- Rotate the unit or antenna wire for the best reception position.

Turntable

Will not play.

- Loosen the transportation screw, and remove the stylus guard.
(The stylus guard is a plastic cover that protects the stylus during transportation. Failing to remove this guard will not allow the needle to contact the groove of the record and no sound will be heard!)
- If the stylus is worn-out, change the stylus.
- Select the correct playback speed.

Sound skips.

- Place the unit on a stable surface to avoid vibration and shock. Make sure the unit is level both front to back and side to side.
- Clean the surface of the record/disc.
- Don't use scratched, damaged or warped records/discs.

If normal operation cannot be obtained, unplug the power cord from the outlet and plug it again.

Beware of condensation

When the unit (or a record/disc) is moved from a cold to a warm place, or used after a sudden temperature change, there is the danger of condensation; vapor in the air could condense on the internal mechanism, making correct operation erratic or impossible. To prevent this, or if this occurs, leave the unit for one or two hours with the power turned on. The unit will stabilize at the temperature of its surroundings.

Maintenance

Always keep the turntable clean.

If the surface of the unit gets dirty, wipe with a soft cloth or use a diluted mild liquid soap. Be sure to remove any excess liquid completely. Do not use thinner, benzine or alcohol as they may damage the surface of the unit. Allow the surface of the unit to dry completely before using.

Messages

0 0:00

A blank CD-R/CD-RW disc is set on the tray.

bUSY

The unit is reading the disc. Wait a few seconds.

CLOSE

Close the disc tray.

ErASE **

Erase the last track of the CD-RW disc.

ErASE ALL

Erase all the tracks of the CD-RW disc.

FINAL

Finalize the disc.

-**db

Increment level

no dISC

No readable disc has been loaded.

OPEn

Open the tray.

-- -- --:--

The unit is reading the disc.

P.**

Program number

UnFINAL

Unfinalize the CD-RW disc.

Error Messages

dISCFULL, OPC FULL

There is no space on the disc, or no more tracks are available.

d dISC

Discs designed for computer systems cannot be used for recording. Use the discs bearing "DIGITAL AUDIO" mark.

P FULL

32 tracks have been programmed. No more tracks can be programmed.

Err **

An error occurred within the unit.
Press the POWER switch to turn the unit off, wait a minute, and turn it on again.

Err 03

Something is wrong with the disc.
Turn the unit off and on, and change the disc.

(** is variable.)

Specifications

Amplifier Section

Output power 3.5 W + 3.5 W
Frequency response 50 Hz to 20 kHz
Audio input sensitivity/Impedance AUX: -6 dBV (0.5V)/20 k Ω
Maximum iutput level AUX: +6 dBV (2.0V)

CD Recorder Section

Media type CD-RW and CD-R for Digital audio
(record and playback)
CD (playback only)
Recording sampling frequency 44.1 kHz
Frequency response. 20 Hz to 20 kHz
(playback: \pm 2 dB, recording: \pm 3 dB)
Signal to noise ratio. More than 80 dB (playback)
More than 75 dB (recording)
Total harmonic distortion Less than 0.1% (playback)
Less than 0.12% (recording)

Tuner Section

Frequency range (FM) 87.5 MHz to 108.0 MHz
Frequency range (AM) 530 kHz to 1,720 kHz

Record Player Section

Motor DC servo motor
Drive system Belt Drive
Speed. 33-1/3 rpm, 45 rpm, 78 rpm
Wow and Flutter less than 0.25% (WDT)
Cartridge type Ceramic Stereo Cartridge
Stylus. STL-103
Output level 160 - 360 mV

Speaker System Section

Unit. 70 mm (3")
Impedance. 4 ohms

GENERAL

Power requirements 120V, 60 Hz
Power consumption 25 W

Dimensions (W x H x D) 18 1/2" x 9 1/16" x 15 3/8" mm
(470 x 230 x 390 mm)

Weight. 21 13/16 lbs (10 kg)

Standard Accessories

45 RPM adaptor x 1
Remote control unit (RC-1157) x 1
Battery (AA, R6, SUM-3) x 2
AM antenna x 1
Stereo RCA pin cable x 1
Owner's manual x 1
Warranty card x 1

- Design and specifications are subject to change without notice.
- Weight and dimensions are approximate.
- Illustrations may differ slightly from production models.

Sommaire

Nous vous remercions pour l'achat d'un appareil TEAC. Lire ce manuel avec attention pour obtenir les meilleures performances possibles de cet appareil.

Sommaire	28
Avant l'utilisation	28
Manutention des disques	29
Comment remplacer l'aiguille	29
Disques	30
Couvercle de la platine	31
Raccordements	32
Nomenclatures des controles (table tournante)	33
Nomenclatures des controles	34
Boîtier de télécommande	36
Opération de base	36
Écoute de la radio	37
Mémorisation de stations (Presets)	38
Écoute de disque	39
Écoute de CD	41
Affichage du temps	42
Lecture répétée	43
Lecture aléatoire	43
Lecture Programmée	44
Avant d'enregistrer	45
Enregistrement	46
Finalisation	48
Effacement ou dé-finalisation d'un CD-RW	49
Dépannage	50
Messages	51
Spécifications	51

ATTENTION

- N'exposez pas cet appareil au ruissellement ni aux éclaboussures.
- Ne placez aucun objet contenant du liquide, tel qu'un vase, sur l'appareil.
- N'installez pas cet appareil dans un espace confiné comme une bibliothèque ou similaire.
- L'appareil tire un courant de veille nominal de la prise secteur quand son interrupteur STANDBY/ON est en position d'arrêt.
- L'appareil doit être placé assez près de la prise de courant pour que vous puissiez à tout moment attraper facilement la fiche du cordon d'alimentation.
- Un appareil de Classe **I** doit être branché à une prise de terre.
- Les batteries (ou le pack de batteries ou les batteries chargées) ne devront pas être exposées à la chaleur excessive telle que le soleil, le feu ou analogues.
- Une pression acoustique excessive d'écouteurs ou d'un casque peut provoquer une perte d'audition.

Avant l'utilisation

Lire ce qui suit avant d'utiliser l'appareil

- La température nominale doit être comprise 5°C et 35°C (41°F et 95°F). Le graveur/lecteur de disques compacts est plus sensible aux températures extrêmes que les lecteurs de disques compacts ordinaires.
- Le taux d'humidité relative doit être compris entre 30 et 90° sans condensation.
- Il est possible que l'appareil devienne chaud durant l'utilisation, toujours laisser un espace suffisant autour de l'appareil pour la ventilation.
- La tension d'alimentation doit correspondre à la tension imprimée sur le panneau arrière, si vous avez des doutes concernant l'alimentation de l'appareil consultez un électricien.
- Choisir l'emplacement de l'appareil soigneusement. Évitez de l'exposer directement aux rayons solaires ou près d'une source de chaleur. Évitez aussi des endroits sujet à des vibrations poussière excessive, chaleur, froid et humidité.
- Ne pas installer l'appareil au dessus d'un amplificateur/récepteur ou n'importe quel appareil électronique générant de la chaleur.
- Ne pas ouvrir le boîtier scellé cela peut endommager le circuit ou causer un choc électrique. Si un objet pénètre l'appareil consultez votre dépositaire Teac ou agence de service.
- Quand vous débranchez l'appareil, toujours tirez la prise, jamais le cordon d'alimentation.
- Pour faire en sorte que la tête de lecture laser reste propre, ne jamais la toucher avec les doigts et ne pas oublier de fermer le plateau porte-disque.
- Ne pas essayez de nettoyer l'appareil avec des dissolvants chimiques, cela peut endommager le fini. Utilisez un chiffon propre et sec.
- Conservez ce livret dans un endroit sûr pour référence future.

NE PAS DÉPLACER L'APPAREIL DURANT LA LECTURE

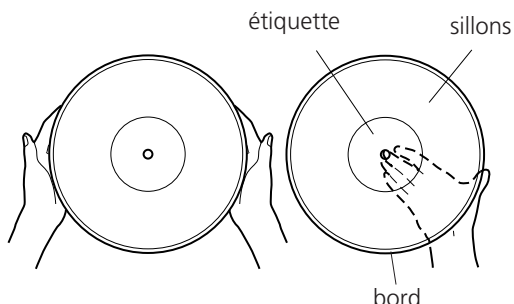
Ne PAS soulever ou déplacer l'appareil durant la lecture. Cela peut endommager le disque.

QUAND VOUS DÉPLACEZ CET L'APPAREIL

Quand vous changez l'endroit où l'appareil est installé ou vous emballez l'appareil pour un déménagement, assurez-vous d'enlever le disque. Le déplacement de cet appareil avec un disque peut l'endommager. Si l'appareil va être emballé et déplacé une grande distance, il est préférable de serrer la visse de verrouillage du transport de la table tournante. Voir page 33 pour des instructions.

Manutention des disques

- Ne pas touchez les sillons. Manipulez les disques par leur bords ou l'étiquette seulement, avec des mains propres. Les huiles de la peau, même si les mains sont propres, peuvent laisser un résiduel sur la surface du disque qui va graduellement détériorer la qualité de vos disques.



- Tenir vos disques loin de la poussière. Gardez dans un endroit frais et sec.
- Afin d'éviter la poussière et les égratignures, gardez vos disques dans leurs étuis quand ils ne sont pas utilisés.
- Entrez vos disques debout sur leurs bords. Les disques entreposés horizontalement vont éventuellement pliés et gondolés.
- Ne pas exposez vos disques aux rayons solaires directs ou une humidité et température élevées. Une exposition prolongée à de hautes températures va gondolé le disque.
- Ne pas entreposez vos disques dans la valise de votre voiture. Les températures existantes dans la valise vont ruinées votre collection.
- Entrez vos disques dans un endroit ayant une température et humidité stables.
- Si le disque est sale, essuyez gentilleent sa surface utilisant une motion circulaire, utilisant un chiffon doux anti-statique.

Plusieurs systèmes de nettoyage de disque sont disponibles chez plusieurs marchands et sur ligne. TEAC n'endosse pas aucun produit spécifique mais, dépendement de la condition de la collection de vos disques, çela peut s'avérer être un bon choix. Des disques propres protègent votre aiguille contre l'usure.



Comment remplacer l'aiguille

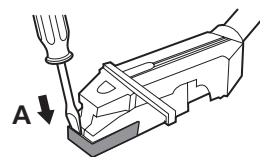
L'aiguille devrait durer environ 50 heures avec un usage normal. Par contre, il est recommandé de remplacer l'aiguille aussitôt que vous remarquez un changement de la qualité sonore. Un usage prolongé d'une aiguille usée peut endommager vos disques. L'usure est accélérée quand vous jouez des disques 78 RPM. L'augmentation de vitesse accélère l'usure.

Avertissement:

- Ne pas enlever ou plier l'aiguille.
- Pour éviter des blessures, ne pas toucher l'aiguille.
- Éteindre l'appareil avant de remplacer l'aiguille.
- Tenir loin des enfants.
- Manipuler avec soin, car l'aiguille est délicate. L'utilisation d'une aiguille pliée ou brisée peut endommager le disque et engendrer un mauvais fonctionnement.
- Ne pas exposer l'aiguille à une chaleur élevée.
- Contactez une station de service qualifiée si vous avez de la difficulté à remplacer l'aiguille.

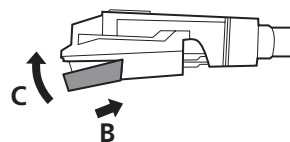
Enlèvement de l'aiguille

1. Placer un tournevisse au bout de l'aiguille et pousser vers le bas dans la direction "A".
2. Retirez l'aiguille en le tirant vers vous et le bas.



Installation d'une nouvelle aiguille

1. Tenir le bout de l'aiguille et insérer l'autre section dans la direction "B".
2. Poussez vers le haut dans la direction "C" jusqu'à temps que le bout enclenche.



L'aiguille de remplacement pour ce LP-R400 est STL-103. Veuillez contacter Teac Canada, département des pièces au (905) 890-8008, poste 118 pour commander. Vous pouvez aussi obtenir le nom d'une station de service qui peut remplacer l'aiguille pour vous au même numéro.

Utiliser toujours des disques CD, CD-R et CD-RW portant la mention "DIGITAL AUDIO".



Cet appareil **NE PEUT PAS ENREGISTRER** les disques CD-R et CD-RW conçus pour les systèmes informatiques.



Bien que dans ce manuel, il soit fait référence aux disques "CD-R" et "CD-RW", il s'agit toujours de disques "CD-R Digital Audio" et "CD-RW Digital Audio", même lorsque ceci n'est pas explicitement précisé.

- Les disques CD-R et CD-RW conçus pour les systèmes informatiques et correctement enregistrés par un ordinateur peuvent être lus, mais cet appareil ne peut pas les enregistrer, les finaliser ni les effacer.
- Selon la qualité du disque et/ou la qualité de l'enregistrement, certains disques CD-R/CD-RW risquent de ne pas pouvoir être lus.
- Les disques protégés contre la reproduction, ainsi que les disques non-conformes à la norme CD risquent de ne pas pouvoir être lus correctement par ce lecteur. Nous déclinons toute responsabilité en cas de dommages provoqués par la lecture de disques de ce type et pour la qualité sonore résultante. Si vous rencontrez des difficultés avec des disques non conformes, contactez directement les producteurs du disque.
- Placer toujours le disque sur le plateau, la face imprimée sur le dessus (les disques compacts ne sont enregistrés que sur une seule face.)
- Pour sortir un disque de son emballage, appuyer sur la partie centrale de l'étui et sortir le disque en veillant à bien le tenir par les bords.



Comment sortir un disque de son emballage

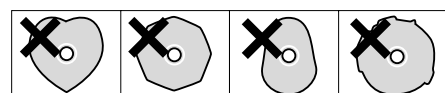


Comment tenir le disque.

- Si la surface du disque est sale, l'essuyer soigneusement à l'aide d'un chiffon doux et sec:



- Ne jamais utiliser de produits chimiques, tels que des sprays, des liquides antistatiques, de l'essence ou des diluants pour nettoyer les disques. Ces produits chimiques risquent de provoquer des dégâts irréparables sur la surface en plastique du disque.
- Ranger les disques dans leur étui après utilisation afin d'éviter de les rayer ou que de la poussière ne se dépose, ceci pouvant compromettre la lecture par la tête laser
- Ne pas exposer les disques à la lumière directe du soleil, à une température élevée ou à une humidité excessive pendant une période prolongée. De telles expositions risquent de provoquer une déformation du disque.
- Les disques CD-R et CD-RW sont plus sensibles aux effets de la chaleur et aux rayons ultraviolets que les disques compacts ordinaires. Il est donc particulièrement important de les ranger dans un endroit à l'abri de la lumière directe du soleil et de toute source de chaleur, telle que des radiateurs ou des appareils électriques, susceptibles de dégager de la chaleur.
- Il est déconseillé d'utiliser des disques CD-R et CD-RW inscriptibles, la face portant l'étiquette risquant d'être collante et d'endommager l'appareil.
- Ne jamais coller d'étiquette ou de feuille de protection sur le disque; ne pas utiliser de spray destiné à déposer sur le disque une couche de protection.
- Utiliser, pour écrire des informations sur la face portant l'étiquette, un feutre utilisant une encre à base d'huile. Ne jamais utiliser de stylo bille ou de stylo à pointe dure, qui risquerait d'abîmer la surface enregistrée du disque.
- Ne jamais utiliser de stabilisateurs. L'utilisation, avec cet appareil, de stabilisateurs pour CD disponibles dans le commerce, pourrait endommager les mécanismes de l'appareil et provoquer son dysfonctionnement.
- Ne pas utiliser de CD ayant une forme irrégulière (octogonale, en forme de coeur, etc.), ceux-ci risquant d'endommager l'appareil:



- En cas de doute quant à la manipulation des CD-R ou CD-RW, lire les instructions fournies avec le disque ou contacter directement le fabricant du disque.

Remarques concernant les disques compacts CD-R et CD-RW

Les disques CD-R ne permettent qu'un seul enregistrement. Lorsqu'ils ont été utilisés pour un enregistrement, ils ne peuvent plus être effacés ou ré-utilisés pour un autre enregistrement. Cependant, s'il reste de la place sur le disque, il est possible d'enregistrer sur cet espace disponible.

Un disque CD-RW s'utilise de la même façon qu'un disque CD-R, à ceci près que la ou les dernière(s) pistes enregistrées peuvent être effacées et l'espace ainsi libéré sur le disque peut être ré-utilisé pour d'autres enregistrements.

Il convient toutefois de noter qu'un disque compact audio créé à partir d'un disque CD-RW risque de ne pas fonctionner correctement sur tous les lecteurs de disques compacts audio. Par contre, un CD-R fonctionnera correctement sur la majorité des lecteurs de disques compacts.

Finalisation

Bien qu'il soit possible d'enregistrer des données audio sur un CD-R ou un CD-RW, un lecteur de disque compact standard ne pourra pas lire ce type de disque tant que vous n'aurez pas créé une table des matières finalisée au début du disque.

Ce processus, qui consiste à créer la table des matières s'appelle la finalisation. Une fois cette table créée, il n'est plus possible d'enregistrer d'autres données sur le disque.

Il convient de noter que dans le cas d'un CD-RW, après avoir été finalisé, celui-ci peut être "définalisé". Ceci permet d'enregistrer d'autres titres, sous réserve, toutefois qu'il reste de la place sur le disque.

- La lecture répétée, la lecture aléatoire et la lecture programmée ne fonctionnent pas avec les disques non-finalisés (sans table des matières).

Disques enregistrables

Le terme "disque enregistrable" tel qu'utilisé dans ce manuel, désigne un CD-R ou un CD-RW non finalisé, sur lequel il reste suffisamment de place pour enregistrer un autre morceau.

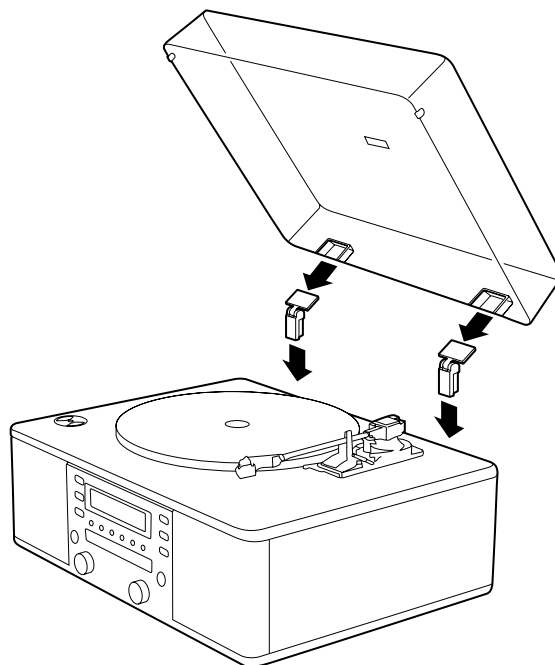
Couvercle de la platine

Pour mettre en place le couvercle de la platine

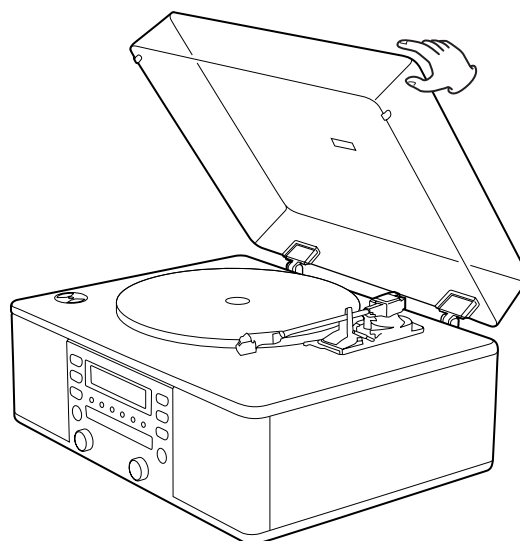
1. Glissez au maximum les charnières des deux côtés du dos de la platine dans les ferrures.
2. Mettez les ferrures du couvercle de la platine sur la partie supérieure des charnières et glissez le couvercle vers le bas pour le mettre en place.

Pour enlever le couvercle de la platine

Saisissez le couvercle des deux côtés et tirez-le doucement vers le haut pour l'enlever des charnières.



Comment ouvrir/fermer le couvercle de la platine



Pour ouvrir:

Soulever le couvercle de la platine à moitié jusqu'à ce qu'il s'arrête.

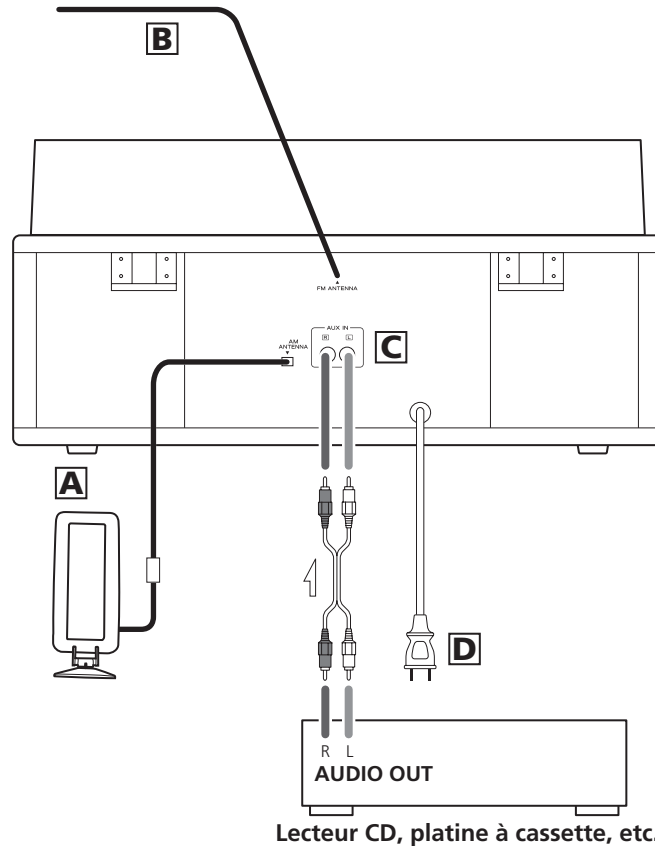
- Le couvercle restera alors ouvert.

Pour fermer:

Baissez lentement le couvercle jusqu'à ce qu'il touche la base de la platine.

Remarque:

Veillez à saisir le couvercle par les bords afin de ne pas vous pincer les doigts quand il se ferme.

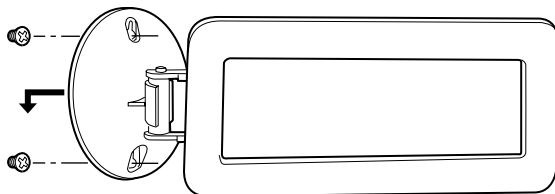


PRÉCAUTION:

- Coupez l'alimentation de tous les appareils avant d'effectuer les raccordements.
- Lisez les instructions qui accompagnent chaque appareil que vous avez l'intention d'utiliser en association avec cet appareil-ci.
- Veillez à ce que chaque fiche soit soigneusement insérée. Pour éviter les ronflements et les bruits parasites, évitez d'attacher les câbles d'interconnexion parcourus par les signaux avec le cordon d'alimentation secteur ou les câbles de liaison aux enceintes.

A Antenne cadre AM

Placez l'antenne pour obtenir la meilleure réception. Si vous le désirez, vous pouvez fixer l'antenne AM au mur comme représenté ci-dessous :



B Antenne FM

En mode FM, syntonisez un poste FM et étendre l'antenne pour trouver la meilleure position pour une bonne réception. Il peut être nécessaire de re-positionner l'antenne si vous transportez l'appareil à un autre endroit.

C AUX IN jacks

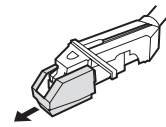
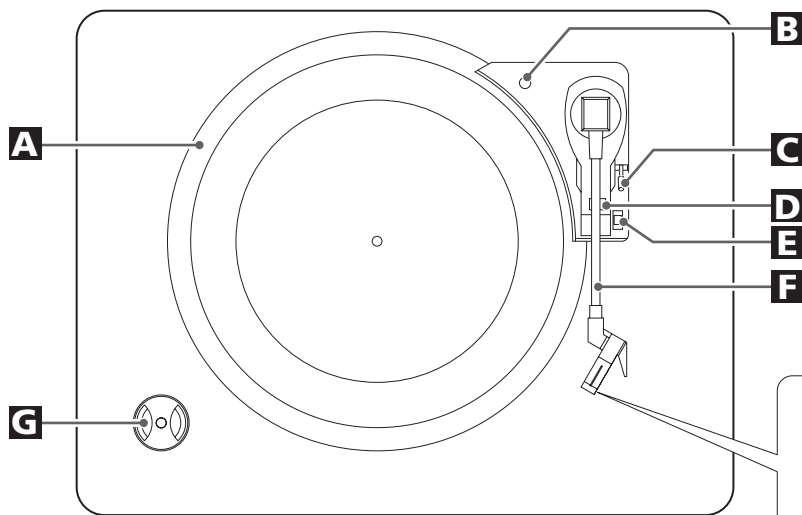
Vous pouvez brancher un lecteur CD, magnétophone à cassette etc... à cet appareil.

Branchez le composant utilisant des cordons RCA. Assurez-vous de brancher la prise blanche avec le connecteur blanc (Gauche) et la prise rouge avec le connecteur rouge (Droit).

D Cordon d'alimentation

Branchez ce cordon d'alimentation dans une prise de courant CA.

Nomenclatures des controles (table tournante)

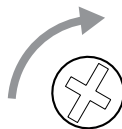


Avant l'utilisation, détachez le protecteur de l'aiguille (couvercle plastique blanc) en tirant directement vers l'avant de la cartouche dans la direction de la flèche.

A table tournante

B Visse tenant en place la table tournante pour le transport

Avant l'utilisation, desserrer la visse en la tournant vers la droite avec une pièce de monnaie ou tournevisse.



Quand vous transportez l'appareil, tournez la visse vers la gauche pour tenir en place la table tournante.

C levier de repérage

Utilisez ce levier pour soulever le bras

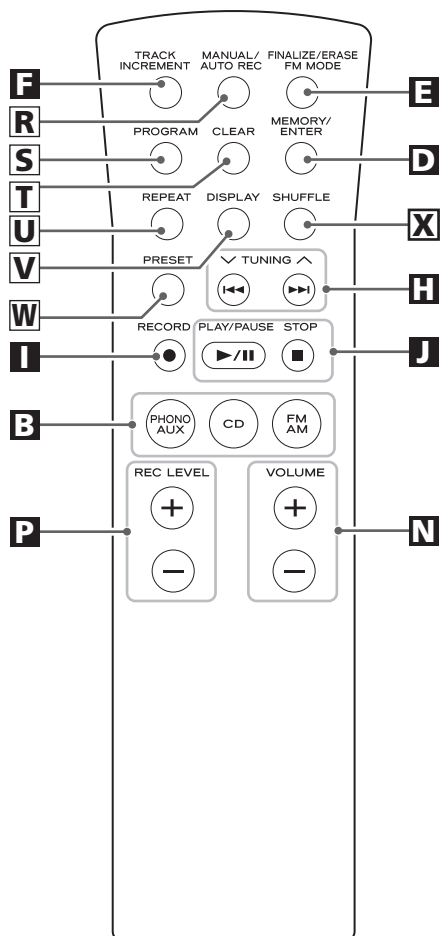
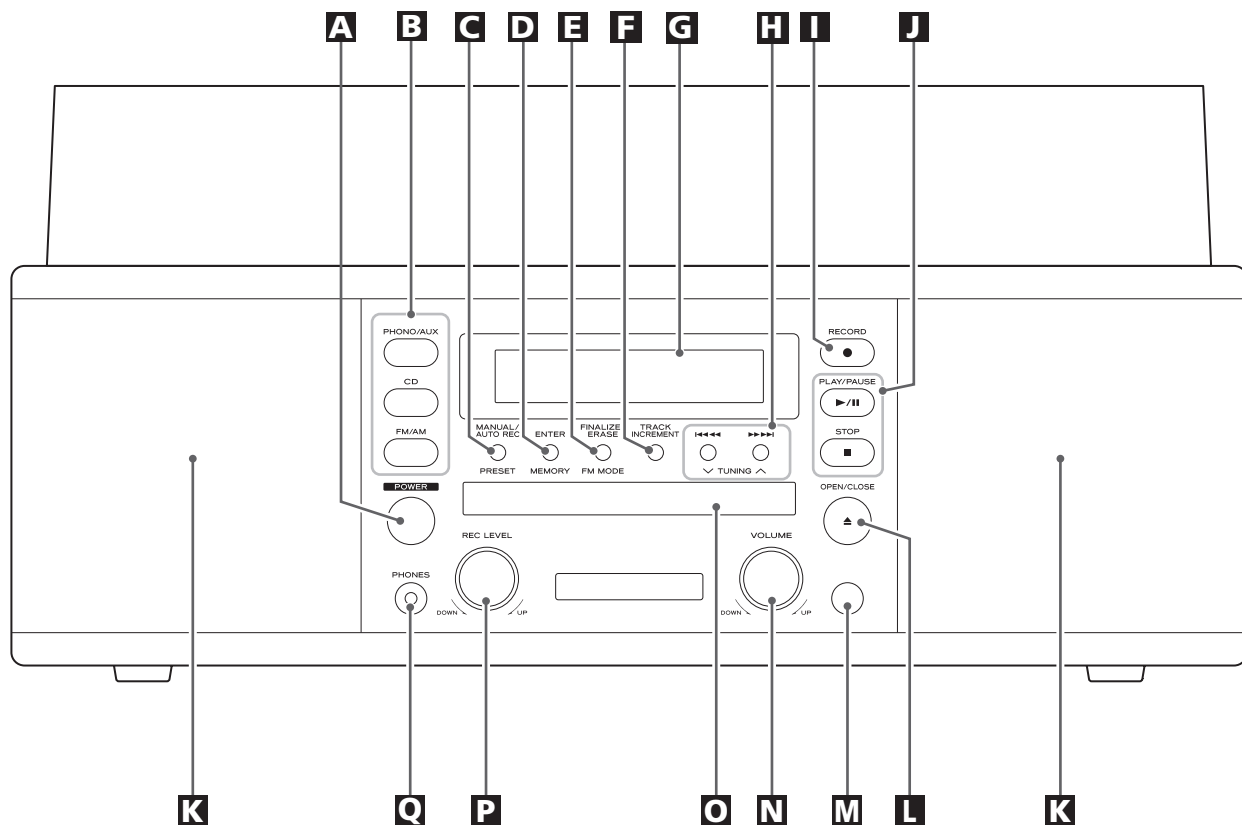
D appui

E sélecteur de vitesse

F bras

G adaptateur 45 RPM

Nomenclatures des controles



A POWER

Appuyer sur cette touche pour mettre l'appareil sous ou hors tension.

B PHONO/AUX, CD, FM/AM

Pour lire un disque vinyle, appuyer sur la touche PHONO/AUX et sélectionner PHONO.

Pour écouter la source externe connectée aux prises AUX IN, appuyer sur la touche PHONO/AUX et sélectionner AUX.

Pour lire un CD, appuyer sur la touche CD.

Pour écouter la radio, appuyer sur la touche FM/AM.

C MANUAL/AUTO REC, PRESET

Utiliser cette touche pour sélectionner le mode d'affectation de numéro de morceau.

En mode TUNER, utiliser cette touche pour sélectionner une station mémorisée.

D MEMORY/ENTER

Utiliser aussi cette touche pour mémoriser des stations.

Utiliser cette touche pour démarrer la finalisation et l'effacement.

E FINALIZE/ERASE, FM MODE

Pour finaliser un disque CD-R/CD-RW, utiliser cette touche.

Pour effacer ou définaliser un disque CD-RW, utiliser cette touche.

Utiliser cette touche pour sélectionner le mode FM.

F TRACK INCREMENT

Pendant l'enregistrement, utiliser cette touche pour créer des morceaux.

G Affichage**H Skip (◀◀ / ▶▶), TUNING (∨ / ∧)**

En mode CD, utiliser ces touches pour sauter des morceaux.

Pour rechercher une partie d'un morceau, tenir ces touches enfoncées.

En mode FM/AM, utiliser ces touches pour accorder sur une station.

I RECORD

Utiliser cette touche pour passer au mode pause d'enregistrement.

J Touches de commande de CD**PLAY/PAUSE (▶ / II)**

Utiliser cette touche pour démarrer ou mettre en pause la lecture et l'enregistrement.

STOP (■)

Utiliser cette touche pour arrêter la lecture ou l'enregistrement.

K Enceintes (stéréo)**L OPEN/CLOSE**

En mode CD ou PHONO/AUX, utiliser cette touche pour ouvrir et fermer le plateau porte-disque.

- En mode FM/AM, cette touche ne fonctionne pas.

M Capteur de télécommande

Quand on utilise la télécommande, l'orienter vers le capteur REMOTE SENSOR.

N VOLUME

Pour régler le volume, tourner ce bouton.

O Plateau porte-disque**P REC LEVEL**

En mode pause d'enregistrement, utiliser ce bouton pour régler le niveau d'enregistrement.

Q PHONES

Pour une écoute privée, commencer par régler le volume au minimum. Insérer alors la fiche du casque d'écoute dans la prise PHONES, puis régler le volume en tournant le bouton VOLUME. Quand un casque d'écoute est branché, le son des enceintes est coupé.

R MANUAL/AUTO REC

Utiliser cette touche pour sélectionner le mode d'affectation de numéro de morceau.

S PROGRAM

En mode CD, utiliser cette touche pour programmer des morceaux.

T CLEAR

En mode CD, utiliser cette touche pour effacer des morceaux programmés.

U REPEAT

En mode CD, utiliser cette touche pour sélectionner un mode de répétition de CD.

V DISPLAY

En mode CD, utiliser cette touche pour changer l'affichage.

W PRESET

En mode TUNER, utiliser cette touche pour sélectionner une station mémorisée.

X SHUFFLE

En mode CD, utiliser cette touche pour commander la lecture aléatoire.

Remarque :

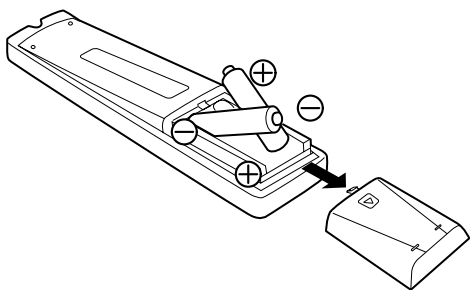
Pour simplifier l'explication, les consignes se réfèrent aux noms des touches et des commandes situées sur le panneau avant sans faire état de la télécommande.

Boîtier de télécommande

Le boîtier de télécommande fourni permet la commande à distance de l'appareil. Pour l'utilisation du boîtier de télécommande, le diriger vers le détecteur de télécommande du panneau avant de l'appareil.

- Même si le boîtier de télécommande est activé dans la zone de fonctionnement, la commande à distance peut être impossible s'il y a des obstacles entre le lecteur et le boîtier de télécommande.
- Si le boîtier de télécommande fonctionne dans le voisinage d'autres appareils générant des rayons infrarouges, ou si d'autres télécommandes utilisant des rayons infrarouges sont utilisées près du lecteur, le lecteur peut ne pas bien fonctionner. Dans la situation inverse, les autres appareils peuvent ne pas bien fonctionner.

Mise en place des piles



- 1** Retirer le couvercle du compartiment des piles.
- 2** Introduire deux piles "AA" (R6, SUM-3). S'assurer que les piles sont correctement mises en respectant les polarités plus ⊕ et moins ⊖.
- 3** Fermer le couvercle jusqu'au déclic.

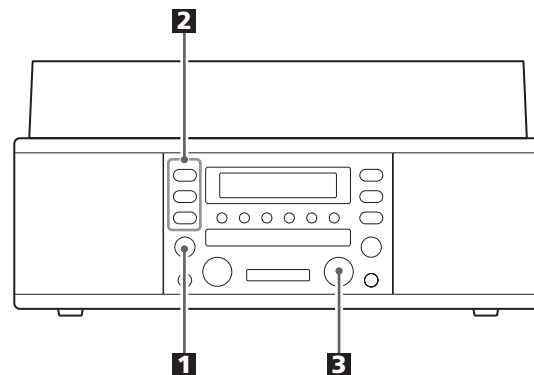
Remplacement des piles

Si vous remarquez que la distance entre le boîtier de télécommande et le lecteur devient plus courte pour un fonctionnement correct, ceci indique que les piles sont usées. Dans ce cas, remplacer les piles par des nouvelles.

Précautions à observer concernant les piles

- Bien placer les piles en respectant les polarités plus ⊕ et moins ⊖.
- Utiliser des piles du même type. Ne jamais essayer d'utiliser des types de pile différents ensemble.
- Des piles ou des batteries peuvent être utilisées. Se référer à leurs étiquettes pour les précautions à respecter.
- Si le boîtier de télécommande n'est pas utilisé pendant une longue période (plus d'un mois), retirer les piles du boîtier de télécommande pour éviter des fuites de pile. Si elles coulent, essuyer le liquide dans le compartiment des piles et remplacer les piles par des neuves.
- Ne pas chauffer, démonter les piles ni les mettre au feu.

Opération de base



- 1** Appuyez sur la touche **POWER** pour allumer l'appareil.

POWER



- 2** Choisir une source en appuyant sur la touche correspondante.

PHONO/AUX



CD



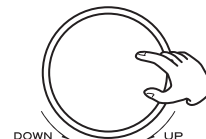
FM/AM



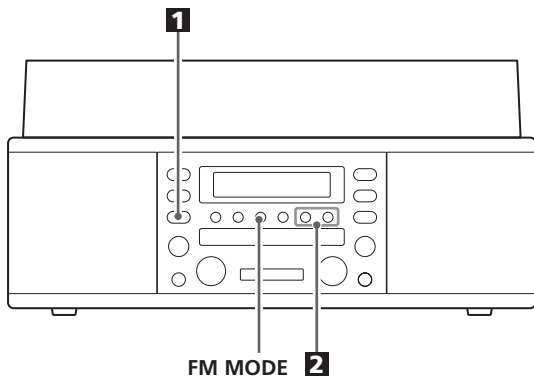
- Pour écouter une source externe branchée aux prises AUX, appuyez sur la touche PHONO/AUX une ou deux fois.

- 3** Jouez la source et réglez le volume en tournant le bouton du **VOLUME**.

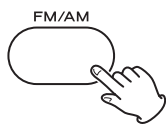
VOLUME



Le volume se règle de 0 à 40).



1 Choisir AM ou FM en appuyant sur la touche FM/AM.



2 Sélectionnez la station que vous voulez écouter (sélection automatique).



Tenir la touche TUNING (∨ ou ∧) enfoncée jusqu'à ce que l'affichage de fréquence commence à changer.

- Quand une station est reçue, l'accord s'arrête automatiquement.
- Appuyer sur la touche TUNING (∨ ou ∧) pour arrêter la sélection automatique.

Sélection de stations qui ne peuvent pas être reçues automatiquement (sélection manuelle)

Quand on appuie momentanément sur la touche ∨ ou ∧, la fréquence change d'une valeur fixe.

Appuyez sur la touche ∨ ou ∧ à plusieurs reprises jusqu'à ce que la station que vous voulez écouter soit trouvée.

Touche FM MODE

Appuyer sur cette touche fait alterner entre les modes STEREO et MONO.



STEREO

Les émissions FM stéréo sont reçues en stéréo et le témoin « STEREO » s'allume à l'écran.

- Si le son souffre de distorsion et si le témoin « STEREO » clignote, c'est que le signal n'est pas assez fort pour une bonne réception stéréo. Dans ce cas, passez en mode MONO.

MONO

Pour compenser une faible réception FM stéréo, sélectionnez ce mode. La réception sera forcée en mono, réduisant les parasites indésirables.

Si la réception est mauvaise

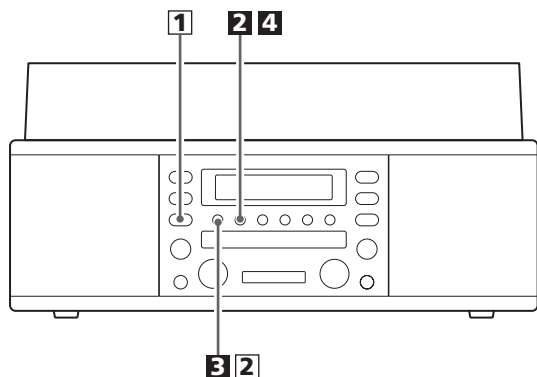
Transmission AM

Tourner l'antenne AM et/ou l'appareil pour trouver la position donnant la meilleure réception pour les stations AM.

Transmission FM

Étendre et tourner l'antenne FM afin d'obtenir une bonne réception des postes.

Mémorisation de stations (Presets)



Vous pouvez mémoriser des stations FM et AM dans leurs presets respectifs 1 à 9.

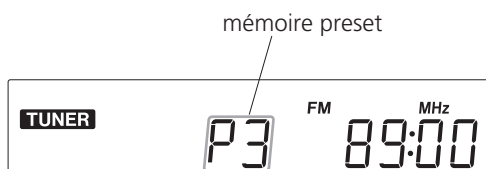
1 Réglez-vous sur une station que vous désirez écouter (voir pour cela les étapes **1** à **2** en page 37).

2 Appuyez sur la touche ENTER/MEMORY.



- Vous pouvez accorder sur une autre station même après avoir appuyé sur la touche ENTER/MEMORY.

3 Avec la touche PRESET, sélectionner un pré réglage pour mémoriser la station.



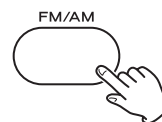
4 Appuyez sur la touche ENTER/MEMORY.



La station est mémorisée et le témoin MEMORY s'éteint.
Pour mémoriser plus de stations, répétez les étapes **1** à **4**.

Comment rappeler les stations pré réglées (presets)

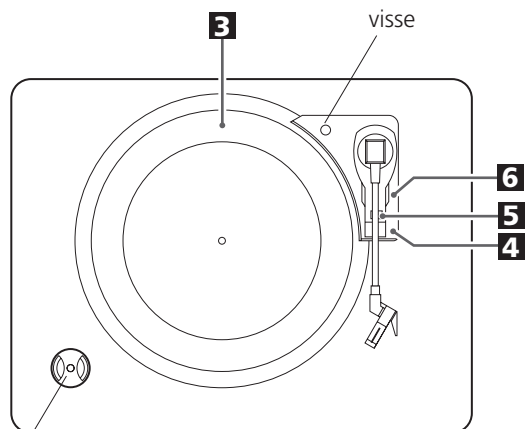
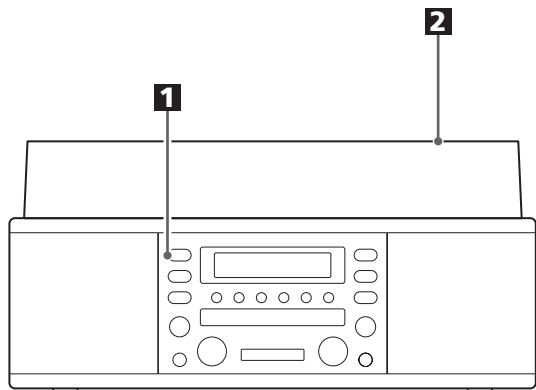
1 Appuyez sur la touche FM/AM pour sélectionner une bande de fréquences.



2 Appuyez répétitivement sur la touche PRESET jusqu'à ce que la station pré réglée désirée soit trouvée.



Écoute de disque 1



adapteur 45 RPM

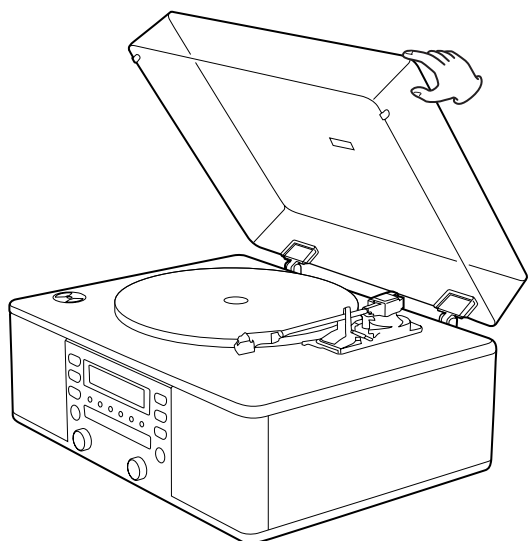
- Avant l'utilisation, desserrer complètement la visse de transport en la tournant vers la droite utilisant une pièce de monnaie, et retirez le garde-aiguille.

1 Appuyez sur la touche PHONO/AUX une ou deux fois pour choisir "PHONO".



2 Doucement soulever le couvercle.

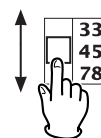
Prendre soin de ne pas coincer vos doigts.



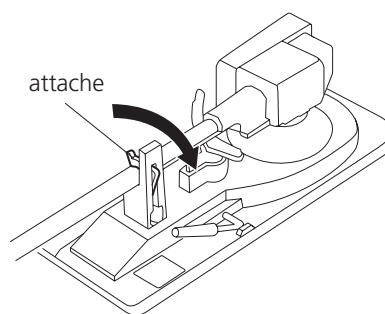
3 Déposez le disque sur la table tournante.

Pour la lecture d'un disque 45 RPM, utilisez l'adaptateur fourni.

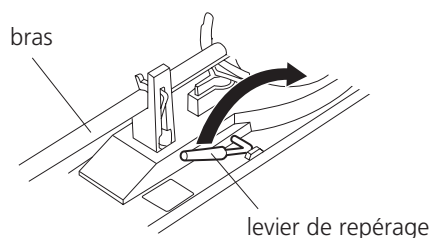
4 Choisir la vitesse.

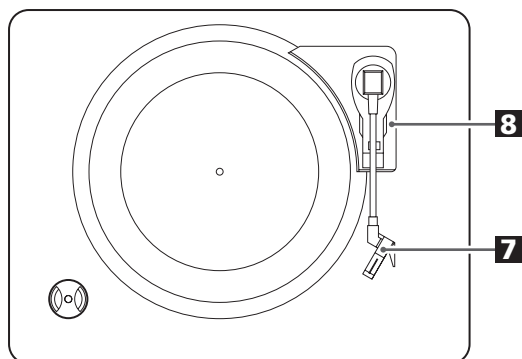


5 Doucement poussez l'attache vers la droite pour relâcher le bras.



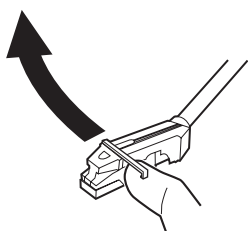
6 Soulever le levier de repérage pour soulever le bras de son appui.





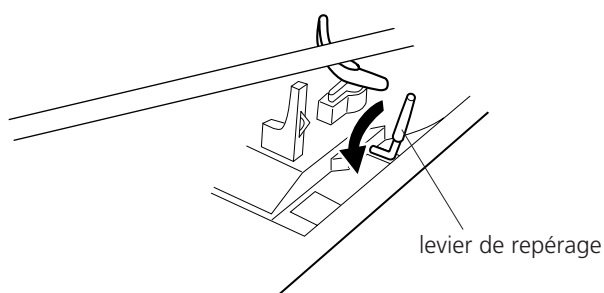
7 Doucement déplacer le bras vers le bord du disque (ou le point de départ d'une piste).

La table tournante commence à tourner.



8 Doucement abaisser le bras en relâchant doucement le levier de repérage.

Vous pouvez abaisser le bras manuellement si le levier de repérage n'a pas été utilisé.

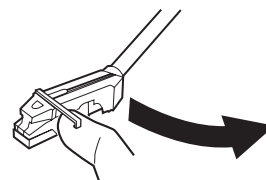
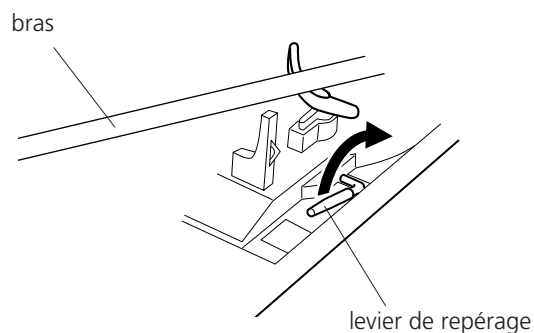


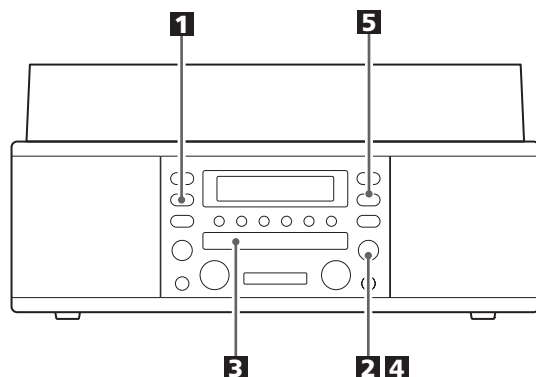
- Tenant le couvercle baissé durant l'écoute de disque empêche la poussière de se déposer sur la table tournante.

S'il vous plaît ne jamais déposer aucun objet sur le dessus du couvercle de la platine, surtout si vous jouez un disque.

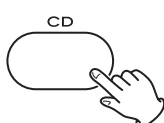
Quand la lecture est terminée, le bras revient automatiquement sur son appui et la table tournante s'arrête.

Pour arrêter la lecture manuellement, soulever légèrement le bras en le tenant par le levier de repérage et le remettre sur son appui.



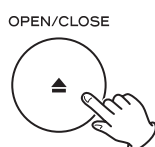


1 Appuyez sur la touche CD pour choisir "CD".

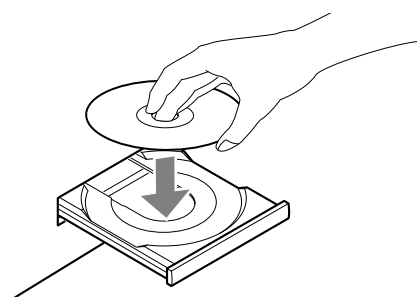


"--" est affiché brièvement.
Si il n'y a pas de disque, "no DISC" est affiché.

2 Appuyez sur la touche OPEN/CLOSE (▲) pour ouvrir le plateau.

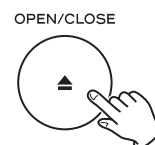


3 Placez un disque sur le tiroir, face imprimée vers le haut.

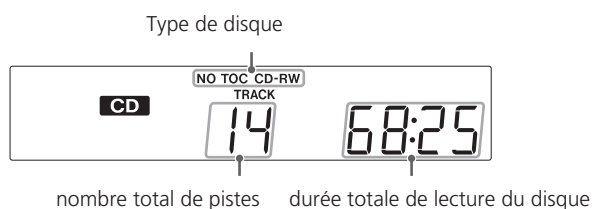


- Ne mettez jamais plus d'un disque sur le tiroir.
- Le disque doit être centré dans le tiroir. Si le disque n'est pas correctement positionné, le tiroir risque de ne pas pouvoir s'ouvrir après s'être refermé, aussi devez vous vous assurer que le disque est bien placé au centre dans le tiroir.
- Ne forcez pas le tiroir au cours des manoeuvres d'ouverture et de fermeture.

4 Appuyez sur la touche OPEN/CLOSE (▲) pour fermer le tiroir.



- Ça prend quelque secondes pour que l'appareil lit le disque. Aucune touche fonctionne durant le chargement. Attendez jusqu'à temps que le nombre total de pistes ainsi que la durée totale de lecture du disque sont affichés.



- "Type de disque" indique le type de disque chargé.

- CD:**
Un CD commercial pré-enregistré
- CD-R:**
Un CD-R finalisé
- CD-RW:**
Un CD-RW finalisé
- NO TOC CD-R:**
Un CD-R qui n'a pas été finalisé
- NO TOC CD-RW:**
Un CD-RW qui n'a pas été finalisé
- Aucune mention:**
Aucun disque ou disque endommagé

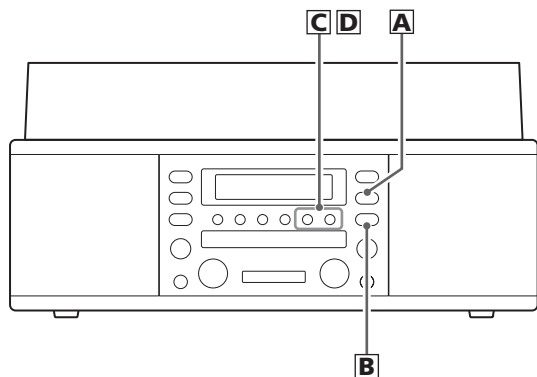
5 Appuyez sur la touche PLAY/PAUSE (▶/||) pour engendrer la lecture.



La lecture du disque commence au premier morceau et ▶ s'illumine.

- Si vous mettez un disque, puis pressez le bouton PLAY/PAUSE sans avoir d'abord refermé le tiroir, celui-ci se referme et la lecture commence.

Écoute de CD 2



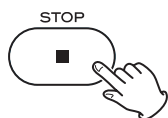
A Pour suspendre la lecture momentanément (mode pause)



Appuyez sur la touche PLAY/PAUSE (▶/||) en lecture. La lecture s'arrête à la position actuelle.

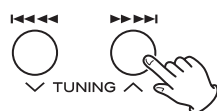
Pour reprendre la lecture, appuyez de nouveau sur la touche PLAY/PAUSE (▶/||).

B Pour arrêter la lecture



Appuyez sur la touche STOP (■) pour arrêter la lecture.

C Pour sauter au morceau suivant ou précédent

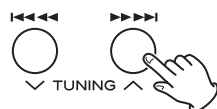


En lecture, pressez la touche ◀◀ ou ▶▶ plusieurs fois jusqu'à ce que le morceau désiré soit atteint. Le morceau sélectionné sera joué à partir du début.

En mode STOP, pressez la touche ◀◀ ou ▶▶ plusieurs fois et relâchez-le lorsque le morceau que vous voulez écouter est trouvé. Pressez sur PLAY/PAUSE (▶/||) pour démarrer la lecture du morceau désiré.

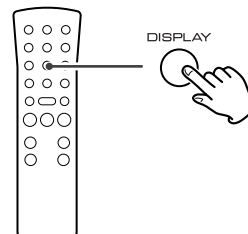
- Quand la touche ◀◀ est pressé en lecture, le morceau en cours reprendra à partir du début. Pour retourner au début du morceau précédent pressez la touche ◀◀ deux fois.

D Recherche d'une partie d'un morceau



En lecture, maintenez la touche ◀◀ ou ▶▶ enfoncé et relâchez le lorsque la partie que vous voulez est trouvée.

Affichage du temps

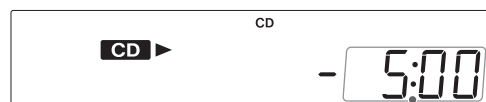


Chaque fois que la touche DISPLAY est pressé en lecture, l'affichage change comme suit:

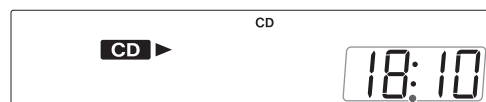
Lecture CD/CD-R/CD-RW



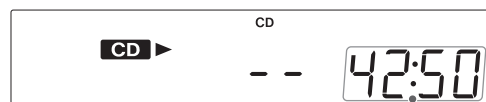
Temps écoulé de la plage en cours



Temps restant de la plage en cours

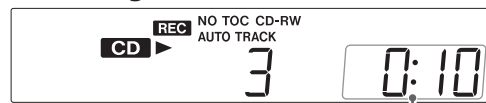


Temps écoulé total (disque)

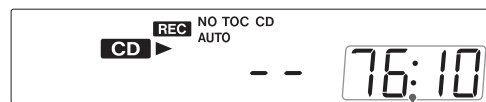


Temps restant total (disque)

En mode enregistrement



Temps d'enregistrement écoulé de la plage en cours

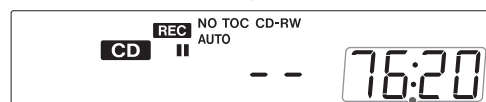


Temps d'enregistrement restant sur le disque

En mode pause d'enregistrement

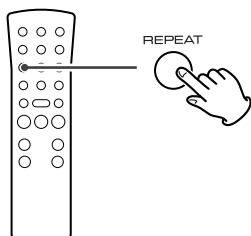


Nombre de plage suivant d'enregistrement

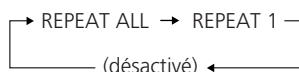


Temps d'enregistrement restant sur le disque

Lecture répétée



A chaque pression sur la touche REPEAT, le mode répétition change comme suit:



REPEAT ALL (Répétition de tout le disque)

Appuyez sur la touche REPEAT une fois en lecture. Tous les morceaux du disque seront répétés. En lecture programmée, la liste programmée sera répétée.

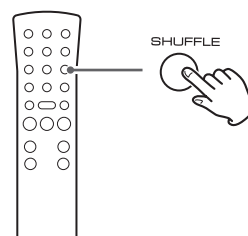
REPEAT 1 (Répétition du morceau)

Si vous pressez REPEAT deux fois en lecture, le morceau en cours sera répété. Si vous pressez la touche ◀◀ ou ▶▶ et sélectionnez un autre morceau, le morceau sélectionné sera répété.

Il est aussi possible de sélectionner un morceau à répéter en mode stop. Pressez REPEAT deux fois, sélectionnez un morceau avec la touche ◀◀ ou ▶▶, puis pressez sur PLAY/PAUSE pour démarrer la lecture.

- Si l'un des boutons suivants est pressé, le mode répétition sera désactivé:
OPEN/CLOSE, POWER, FM/AM, PHONO/AUX
- La lecture répétée fonctionne seulement avec les disques finalisés.

Lecture aléatoire



Les morceaux peuvent être lus dans un ordre aléatoire. Appuyer sur la touche SHUFFLE pendant la lecture. (En mode arrêt, appuyer sur la touche SHUFFLE et sur la touche PLAY/PAUSE.)

Quand la lecture aléatoire de tous les morceaux est terminée, l'appareil s'arrête mais le mode lecture aléatoire n'est pas annulé.

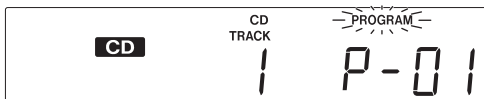
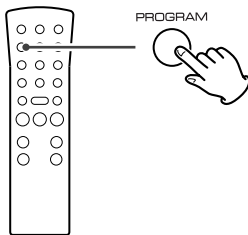
- Si on appuie sur la touche ▶▶ pendant la lecture aléatoire, le morceau suivant est sélectionné aléatoirement et lu. Si on appuie sur la touche ◀◀, le morceau en cours de lecture est lu à partir du début. La lecture répétée d'un morceau pendant la lecture aléatoire est impossible.
- La lecture aléatoire ne fonctionne pas pendant la lecture programmée.
- Si on appuie sur une des touches suivantes, la lecture s'arrêtera, mais le mode aléatoire ne sera pas annulé:
SHUFFLE tandis que l'appareil est à l'arrêt, OPEN/CLOSE, POWER, FM/AM, PHONO/AUX
- La lecture aléatoire fonctionne seulement avec les disques finalisés.

Lecture Programmée

On peut programmer la lecture d'un maximum de 32 morceaux dans l'ordre souhaité.

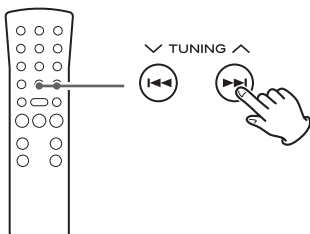
- Mettre un disque compact en place et sélectionner "CD" avant de commencer la programmation.
- Pendant la lecture programmée, la lecture aléatoire est impossible.
- La lecture programmée fonctionne seulement avec les disques finalisés.

1 En mode arrêt, appuyez sur la touche PROGRAM.



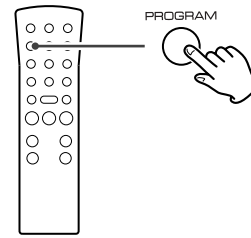
L'indicateur "PROGRAM" clignote et "P-01" apparaît sur l'affichage.

2 Appuyez sur une touche ◀◀ ou ▶▶ pour sélectionner un morceau.



numéro de la plage

3 Appuyez sur la touche PROGRAM.

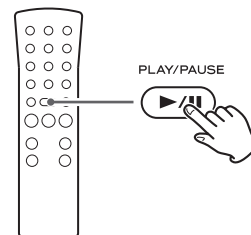


Le morceau est programmé, et "P-02" est affiché.

Pour programmer d'autres morceaux, répéter les étapes 2 et 3.

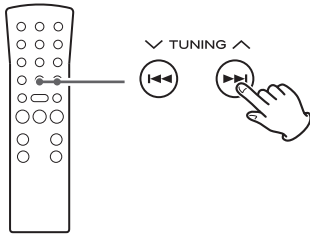
- On peut programmer jusqu'à 32 morceaux.
- Pour annuler le mode programmation, appuyez sur la touche STOP (■).

4 Quand la sélection des numéros de morceau est terminée, appuyez sur la touche PLAY/PAUSE (▶/||) pour démarrer la lecture programmée.



Pour contrôler l'ordre programmé

En mode arrêt, appuyer sur la touche ◀◀ ou ▶▶ à plusieurs reprises pour faire apparaître les numéros de morceau qui ont été mémorisés.

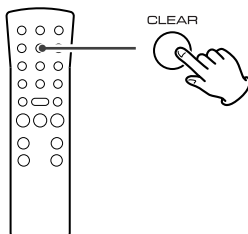


Pour ajouter un morceau à la fin du programme

En mode arrêt, appuyer sur la touche PROGRAM. Sélectionner un numéro de morceau en appuyant sur une touche ◀◀ ou ▶▶, puis appuyer sur la touche PROGRAM. Le morceau est ajouté à la fin du programme.

Pour supprimer le dernier morceau du programme

En mode arrêt, appuyer sur la touche CLEAR pour supprimer le dernier morceau du programme.



Pour effacer le programme

Si on appuie sur une des touches suivantes, le programme est effacé:

OPEN/CLOSE, POWER, FM/AM, PHONO/AUX, STOP tandis que l'appareil est à l'arrêt

Avant de commencer l'enregistrement assurez-vous que vous comprenez les points suivants:

- Cet appareil requiert des disques numériques audio CD-R ou CD-RW pour l'enregistrement. Des disques d'ordinateur CD-R ou CD-RW ne fonctionnent pas avec cet appareil.
- Une fois que vous avez enregistré sur un disque CD-R il n'est pas possible d'effacer les données.
- Vous pouvez ajoutés des pistes à un disque enregistrable qui n'est pas finalisé. Une fois finalisé, un disque CD-R devient "fixe" et se comporte comme un disque CD. Par contre les disques CD-RW finalisés, peuvent être dé-finalisés, effacer et ré-enregistrer.
- Si la touche STOP ou PLAY/PAUSE est appuyée en dedans de quatre secondes du début d'une piste, l'appareil continue à enregistrer aucun signal et s'arrête quand la durée de la piste atteint quatre secondes.
- Quand l'enregistrement est terminé, "REC" et "- END - - -" clignotent pour quelque secondes et l'appareil se met en mode stop. Ne pas brasser ou soumettre l'appareil à des vibrations durant l'enregistrement
- Si la fin du disque est atteint durant l'enregistrement, l'appareil va engendra un fondu sonore sur une période de quelque secondes. Quand le fondu est terminé, l'appareil finalise le disque et s'arrête automatiquement.
- Si le disque atteint la fin du 99ième morceau pendant l'enregistrement, l'appareil le finalise automatiquement puis s'arrête.
- La durée de l'enregistrement d'une piste peut variée légèrement de la piste originale.

SCMS (Système de gestion de copie en série)

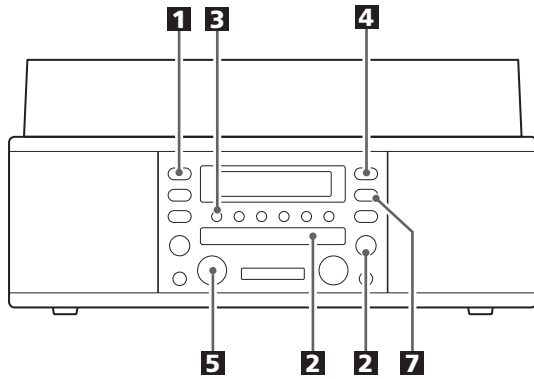
Cet appareil répond à la norme SCMS (Système de Gestion de Copie en série). Cette norme a été élaborée pour restreindre les copies de type numérique - analogique à la première génération uniquement. Les règles de base régissant ce système sont les suivantes:

Règle 1

Il est possible de réaliser un enregistrement numérique à partir d'une source numérique telle qu'un CD, un support DAT ou un MD sur un support enregistrable de type CD-R, CD-RW, MD ou DAT en raccordant l'appareil via l'entrée numérique. Cependant l'enregistrement depuis une source numérique sur une source numérique est interdit pour la seconde génération et les générations suivantes.

Règle 2

En cas d'enregistrement numérique d'une source analogique telle qu'un disque analogique ou une source FM à l'aide d'un CD-R, d'un CD-RW, d'un MD ou d'un DAT, cette source peut être enregistrée numériquement sur un autre CD-R, CD-RW, MD ou DAT. Cependant, toute reproduction numérique de cet enregistrement est interdite.



Le son de PHONO ou AUX peut être enregistré par le graveur de CD.

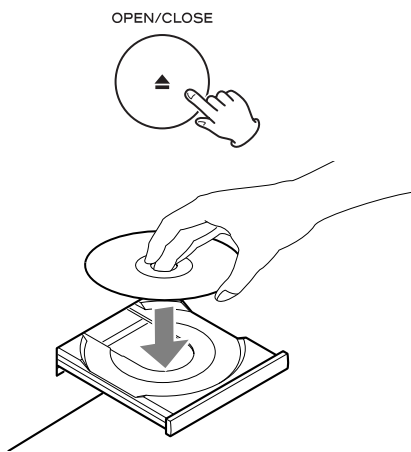
1 Appuyer une ou deux fois sur la touche PHONO/AUX pour sélectionner la source à enregistrer.



Pour enregistrer à partir d'un disque vinyle, sélectionner PHONO.

Pour enregistrer à partir de la source externe connectée aux prises AUX IN, sélectionner AUX.

2 Mettre un CD-R ou CD-RW enregistrable en place dans l'appareil.



Appuyer sur la touche OPEN/CLOSE (▲), poser un disque sur le plateau avec la face imprimée sur le dessus, puis appuyer sur la touche OPEN/CLOSE (▲) pour fermer le plateau.

S'assurer que les indicateurs "NO TOC" et "CD-R" (ou "CD-RW") s'allument sur l'affichage, sinon la touche RECORD ne fonctionnera pas à l'étape **4**.

3 Avec la touche MANUAL/AUTO REC, sélectionner le mode d'affectation de numéro de morceau.



Quand on appuie une fois sur la touche MANUAL/AUTO REC, le mode courant est affiché. Pour sélectionner tout autre mode, appuyer sur la touche MANUAL/AUTO REC à plusieurs reprises.

-- (MANUAL)

L'appareil ne divise pas les morceaux.

Pour diviser les morceaux, utiliser la touche TRACK INCREMENT.

Pour l'enregistrement d'une source analogique telle qu'un disque vinyle, le mode MANUAL est recommandé.

-20db, -30db ou -40db (AUTO REC)

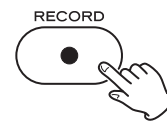
Quand le niveau du son est inférieur au seuil pendant plus de 2 secondes puis quand le son redépasse ce seuil, l'appareil insère automatiquement une division de morceau.

"-20db" prend un son plus fort pour amorcer l'incréméntation de morceau.

"-40db" signifie qu'un signal relativement faible amorcera l'incréméntation de morceau. "-40db" convient pour l'enregistrement d'une source sans parasite telle qu'un CD.

- AUTO REC risque de ne pas fonctionner correctement avec les sources analogiques qui contiennent des parasites de bas niveau.
- L'indicateur AUTO s'allume quand -20dB, -30dB ou -40dB est sélectionné.
- Le réglage par défaut est MANUAL (pas de division). Quand on met l'appareil sous tension, le réglage est automatiquement remis sur MANUAL (pas de division).
- La touche MANUAL/AUTO REC ne fonctionne pas pendant l'enregistrement ou pendant le mode pause d'enregistrement.

4 Appuyer sur la touche RECORD.



Le témoin rouge de la touche RECORD clignote.

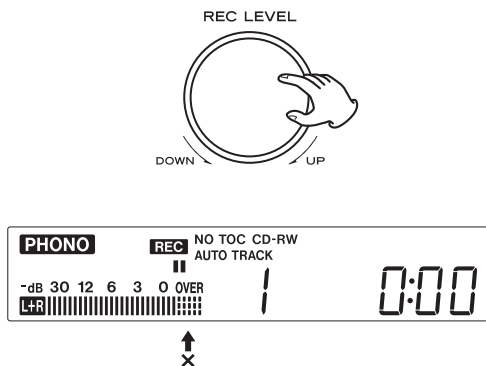
L'appareil passe en mode pause d'enregistrement.

En mode pause d'enregistrement, l'indicateur "REC" clignote et l'indicateur ■■ s'allume sur l'affichage.

- Aucune touche ne fonctionne tant que "bUSY" est affiché. Attendre, quelques secondes, que "bUSY" disparaisse de l'affichage.

- Si l'indicateur rouge de la touche RECORD ne s'allume pas, mettre un disque enregistrable en place, attendre, quelques secondes, que les indicateurs "NO TOC" et "CD-R" (ou "CD-RW") s'allument sur l'affichage, et appuyer de nouveau sur la touche RECORD.

- 5** Si nécessaire, régler le niveau d'enregistrement à l'aide du bouton REC LEVEL.

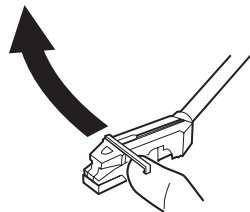


Mettre la source à enregistrer en lecture et régler le niveau d'enregistrement de manière que le son le plus fort ne dépasse pas l'indicateur "OVER" du crête-mètre.

Le niveau peut être réglé de -∞ (∞) dB à 18 dB.

- Le réglage par défaut est 0 dB. Quand l'appareil est mis sous tension, ou quand on appuie sur la touche STOP, le réglage est automatiquement remis à 0 dB.

- 6** Si PHONO est sélectionné à l'épave **1**, baisser doucement le bras sur le bord du disque (ou sur l'endroit où on veut que l'enregistrement commence).



Si la table tournante est arrêtée, la touche PLAY/PAUSE ne fonctionnent pas et on ne peut pas démarrer l'enregistrement.

- 7** Appuyer sur la touche PLAY/PAUSE pour démarrer l'enregistrement.



Ne jamais mettre hors tension ou débrancher le cordon d'alimentation pendant l'enregistrement.

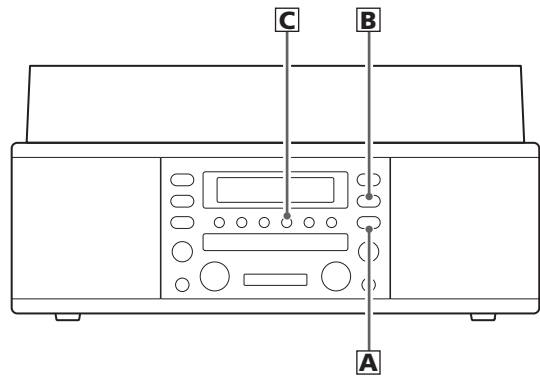
- 8** Si AUX est sélectionné à l'étape **1**, mettre la source à enregistrer en lecture.

Quand la lecture de la source est terminée, appuyer sur la touche STOP pour arrêter l'enregistrement.

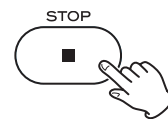
Quand on arrête l'enregistrement, "END" clignote et le nombre de plages enregistrées et le temps de lecture total sont affichés pendant 10 secondes.

Quand le bras revient sur son support et que la rotation de la table tournante s'arrête, l'enregistrement s'arrête automatiquement.

Toutefois, pour éviter que le bruit de déplacement du bras soit enregistré, arrêter l'enregistrement manuellement à l'aide de la touche STOP.



- A** Pour arrêter l'enregistrement



Pour arrêter l'enregistrement, appuyer sur la touche STOP (■).

- B** Pour interrompre l'enregistrement temporairement (mode pause)



Appuyer sur la touche PLAY/PAUSE (▶/||). "BUSY" apparaît un bref instant sur l'affichage, et l'enregistrement est mis en pause.

Pour redémarrer l'enregistrement, appuyer sur la touche PLAY/PAUSE (▶/||).

- Tant que "BUSY" est affiché, on ne peut pas redémarrer l'enregistrement.
- Ne pas oublier que chaque fois que l'enregistrement est mis en pause ou arrêté, un nouveau numéro de morceau est toujours affecté. Il n'est possible d'enregistrer en deux "passes" dans un morceau.

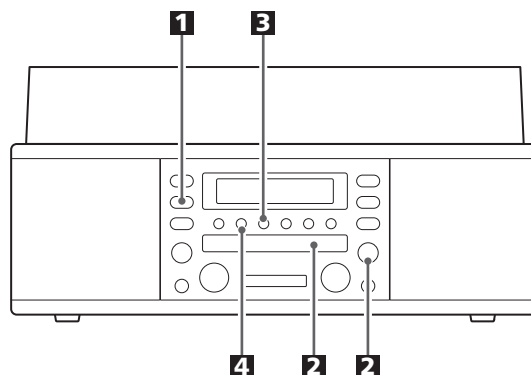
- C** Division manuelle de morceau

Pendant l'enregistrement, on peut le diviser en morceaux.

Pendant l'enregistrement, appuyer sur la touche TRACK INCREMENT. Le numéro de morceau courant sera incrémenté d'une unité.



- La touche TRACK INCREMENT fonctionne quel que soit le réglage MANUAL/AUTO REC.
- Due aux restrictions du système des CD, une piste ne peut pas être moins de quatre secondes et le maximum de pistes est 99.

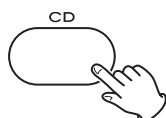


Cette section concerne ce qui suit l'enregistrement. Une fois finalisé, les disques CD-R sont véritablement finalisés. Il n'est plus possible d'ajouter d'autres pistes. Par contre, les disques CD-RW peuvent être "dé-finalisés" et s'il y a de l'espace, du matériel additionnel peut être enregistré.

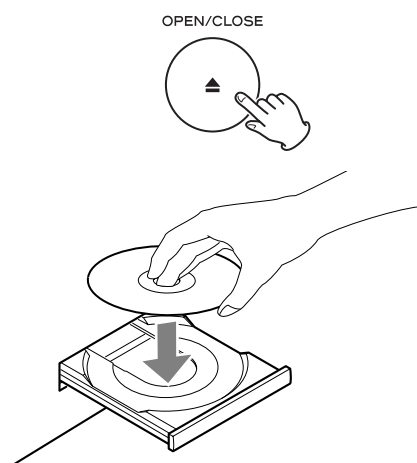
Finalisation

Tel qu'expliquer précédemment, pour qu'un disque devienne un disque CD normal, il doit avoir une table de contenu (TOC) écrite. Ce processus s'appelle finalisation.

1 Appuyez sur la touche CD pour choisir "CD".



2 Déposer un disque non-finalisé (enregistrable).



3 Appuyez sur la touche FINALIZE/ERASE en mode arrêt.



"FINAL" est affiché.

- Pour annuler la finalisation appuyer sur la touche STOP (■).

4 Appuyez sur la touche ENTER/MEMORY pour commencer la finalisation.



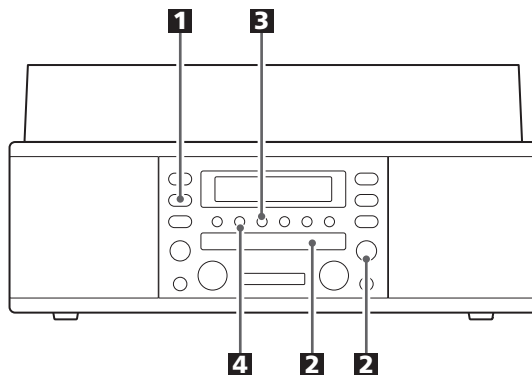
Les indicateurs "NO TOC" et "REC" clignotent et le temps restant pour l'opération de finalisation apparaît sur l'affichage.

Quand l'opération est terminée, l'indicateur "NO TOC" s'éteint et l'affichage repasse à l'indication de morceau/durée.

Durant la finalisation, aucune touche fonctionne. **Ne jamais éteindre l'appareil ou le débrancher.**

- Malgré que les disques CD-R finalisés peuvent être rejouer sur des lecteurs CD ordinaires, rappelez-vous que les disques CD-RW finalisés habituellement ne joueront pas sur un lecteur CD ordinaire.

Effacement ou dé-finalisation d'un CD-RW

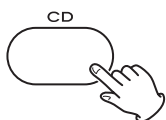


Il est possible d'effacer la dernière piste enregistrée. Il est aussi possible d'effacer le disque entièrement.

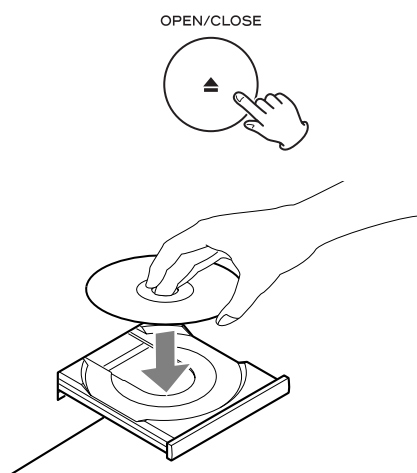
Les procédures d'effacement fonctionnent strictement sur un disque non-finalisé. Si un disque CD-RW est finalisé, dé-finalisé le disque avant l'effacement.

Rappelez-vous qu'il n'est pas possible d'effacer sur un disque CD-R.

1 Appuyez sur la touche CD pour choisir "CD".



2 Déposer un disque enregistré CD-RW.



3 En mode d'arrêt, appuyer sur la touche FINALIZE/ERASE.



"UnFINAL" (définaliser) apparaît quand un disque finalisé est mis en place.

"ErASE" et le numéro du dernier morceau apparaissent quand le disque n'a pas été finalisé.

A chaque pression sur la touche FINALIZE/ERASE, l'affichage change comme suit:

UNFINAL

Sélectionner cet élément pour définaliser le disque.

ErASE XX (le numéro du dernier morceau enregistré sur le disque)

Sélectionner cet élément pour effacer le dernier morceau du disque.

- Cet élément n'apparaît pas quand un seul morceau est enregistré sur le disque.

ErASE ALL

Sélectionner cet élément pour effacer tous les morceaux.

- Pour annuler l'effacement ou dé-finalisation appuyer sur la touche STOP (■).

4 Appuyez sur la touche ENTER/MEMORY pour commencer l'effacement ou dé-finalisation.

Le temps restant pour l'opération apparaît sur l'affichage.



Quand l'opération est terminée, l'affichage repasse à l'indication de morceau/durée.

Durant l'effacement ou dé-finalisation, aucune touche fonctionne. **Ne jamais éteindre l'appareil ou le débrancher.**

- Cette opération ne peut pas être annulée. Si vous allez effacer des pistes, assurez-vous qu'ils sont des enregistrements que vous voulez vraiment effacer.

En cas d'anomalie de fonctionnement, consultez le tableau qui suit et tentez de résoudre la question qui se pose à vous avant de faire appel au revendeur ou au service d'entretien de TEAC.

N'allume pas

- Assurez-vous que l'appareil est branché. Assurez-vous que la source d'alimentation n'est pas commuté et si c'est le cas que le commutateur est en marche. Assurez-vous que la prise de courant est alimentée en branchant un autre appareil tel qu'une lampe ou ventilateur.

Aucun son

- Réglez le volume

Le son est bruyant

- L'appareil est trop proche d'un téléviseur ou appareil semblable. Éloignez l'appareil ou les éteindre.

La télécommande ne fonctionne pas

- Appuyez la touche POWER pour allumer l'appareil
- Si les piles sont mortes, les changer
- Utilisez la télécommande en dedans de la distance (5m / 15pieds) et pointez la vers le panneau avant.
- Enlevez les obstacles entre la télécommande et l'unité principale
- Si il y a une lumière puissante près de l'appareil, éteignez là.

Lecteur CD

Ne joue pas

- Chargez un disque avec le coté de lecture vers le bas
- Si le disque est sale, nettoyez la surface du disque
- Un disque vierge est chargé. Chargez un disque pre-enregistré.
- Dépendamment du disque, etc... il est possible que les disques CD-R ne jouent pas. Essayez un autre disque.

Son saute

- Installez l'appareil dans un endroit stable pour éviter les vibrations et les heurts.
- Si le disque est sale, nettoyez la surface du disque.
- Ne pas utiliser des disques égratignés, endommagés ou bombés.

L'enregistrement est impossible.

- Vous avez placé dans l'appareil un disque en lecture seule ou un disque finalisé. Utiliser un disque enregistrable.
- Le disque ne comporte pas de zone enregistrable. Utiliser un autre disque.
- Le niveau d'enregistrement est trop faible. Régler celui-ci.
- Cet appareil requiert des disques numériques audio CD-R ou CD-RW pour l'enregistrement. Des disques d'ordinateur CD-R ou CD-RW ne fonctionnent pas avec cet appareil.

Syntonisateur

Il n'est pas possible d'écouter aucun poste, ou signal est trop faible

- Syntonisez le poste correctement.
- Si un téléviseur est proche de l'appareil, l'éteindre.
- Tournez l'appareil ou le fil d'antenne FM pour la meilleure position de réception.

Platine

Ne joue pas

- Désérrez la visse et détachez le protecteur de l'aiguille. (Le protecteur de l'aiguille est un couvercle plastique blanc qui protège l'aiguille durant le transport. Si il n'est pas enlevé l'aiguille ne vient pas en contact avec le sillon du disque et aucun son est entendu!)
- Si l'aiguille est usé, changez là
- Choisir la bonne vitesse de reproduction

Le son saute

- Installez l'appareil dans un endroit stable pour éviter les vibrations et les heurts. Assurez-vous que l'appareil est de niveau, avant arrière et d'un coté à l'autre.
- Nettoyez la surface du disque.
- Ne pas utiliser des disques égratignés, endommagés ou bombés

Si vous ne parvenez pas à rétablir un fonctionnement normal, débrancher le cordon d'alimentation et le rebrancher.

Mise en garde sur la condensation

Si l'appareil (ou un disque) est déplacé d'un endroit froid à un endroit chaud, ou utilisé après un changement soudain de température, il existe un danger de condensation; des vapeurs dans l'air peuvent ce condensées sur le mécanisme interne, empêchant un bon fonctionnement. Pour prévenir çelà, ou s'il se produit, laissez l'appareil allumé pour une ou deux heures. L'appareil se stabilisera à la température ambiante.

Entretien

Toujours garder la table tournante propre. Si la surface de l'unité est sale, essuyez avec un chiffon doux ou utilisez un savon liquide doux dilué. Assurez-vous d'enlever tout excès. Ne pas utiliser de dilluant, benzine ou alcool car ils peuvent endommager la surface de l'appareil. Attendez que la surface est sèche avant l'utilisation.

Messages

0 0:00

Un disque CD-R/CD-RW est dans le tiroir

bUSY

L'appareil est en train de préparer le disque. Attendre quelques secondes.

CLOSE

Fermer le tiroir du disque

ErASE **

Effacement de la dernière piste du disque CD-RW

ErASE ALL

Effacement de toute les pistes du disque CD-RW

FINAL

Finalisation du disque

-**db

Niveau d'incrémentation

no DISC

Il n'y a pas de disque dans le tiroir

OPEn

Ouvrir le tiroir

-- --:--

L'appareil lit le disque

P.**

Numéro du programme

UnFINAL

Dé-finalisation d'un disque CD-RW

Affichage des erreurs

dISCFULL, OPC FULL

Il n'y a pas d'espace sur le disque, ou aucune piste n'est disponible

d DISC

Les disques conçus pour les systèmes d'ordinateur ne peuvent pas être utilisés pour l'enregistrement. Utiliser les disques ayant le logo "DIGITAL AUDIO".

P FULL

32 pistes ont été programmées. Il n'est plus possible d'ajouter des pistes.

Err **

Une erreur s'est produite. Appuyer sur l'interrupteur POWER pour mettre l'appareil hors tension, attendre une minute, puis remettre l'appareil sous tension.

Err 03

Le disque présente un défaut.
Mettre l'appareil hors puis sous tension, et changer le disque.

(** est variable)

Spécifications

Section amplificateur

Puissance de sortie 3,5 W + 3,5 W
Réponse de fréquence 50 Hz à 20 kHz
Sensibilité/impédance d'entrée audio
AUX: -6 dBV (0,5V)/20 kΩ
Niveau de d'entrée maximum. LINE: +6 dBV (2,0V)

Section enregistreur CD

Type de support CD-RW et CD-R pour audio numérique
(enregistrement et lecture)
CD (lecture uniquement)
Fréquence d'échantillonnage à l'enregistrement 44,1 kHz
Réponse en fréquence. 20 Hz-20 kHz
(lecture: ±2 dB, enregistrement: ±3 dB)
Rapport Signal - Bruit. Meilleur que 80 dB (lecture)
Meilleur que 75 dB (enregistrement)
Distorsion harmonique totale. inférieure à 0,1% (lecture)
inférieure à 0,12% (enregistrement)

Section syntonisateur

Gamme de fréquence (FM) 87,5 MHz à 108,0 MHz
Gamme de fréquence (AM) 530 kHz à 1.720 kHz

Section tourne disque

Moteur. moteur servo CC
Engrenage Par courroie
Vitesse 33-1/3 rpm, 45 rpm, 78 rpm
Pleurage et scintillement moins de 0.25% (WDT)
Rapport signal/bruit. Plus de 50 dB
Cartouche. Cartouche céramique stéréo
Aiguille STL-103
Niveau de sortie 160 - 360 mV

Section Haut-Parleurs

Haut-Parleur 70 mm
Impédance 4 ohms

GÉNÉRALITÉS

Alimentation 120V, 60 Hz
Consommation de courant 25 W

Dimensions (L x H x P) 470 x 230 x 390 mm
Poids 10 kg

Accessoires standards

Adapteur 45 RPM x 1
Télécommande (RC-1157) x 1
Pile (AA, R6, SUM-3) x 2
Antenne cadre AM x 1
Câble stéréo fisch RCA x 1
Manuel du propriétaire x 1
Carte de garantie x 1

- Conception et spécifications sujettes à des changements sans pré-avis.
- Poids et dimensions sont approximatives
- Les illustrations peuvent être légèrement différentes des modèles produits.

Enhorabuena por la adquisición de un TEAC. Lea detenidamente este manual a fin de obtener el mejor rendimiento de esta unidad.

Antes de usarse	52
Manejo de discos	53
Cómo reemplazar la aguja	53
Discos	54
Cubierta de la tornamesa	55
Conexiones	56
Nombres de la tornamesa	57
Funciones y Control remoto	58
Control remoto	60
Operaciones básicas	60
Para escuchar el radio	61
Presintonías	62
Para escuchar un disco	63
Para escuchar un CD (disco compacto)	65
Indicación de tiempo	66
Reproducción repetida	67
Reproducción aleatoria	67
Reproducción programada	68
Antes de grabar	69
Grabación	70
Finalización	72
Borrado o desfinalización de un CD-RW	73
Detección de problemas	74
Mensajes	75
Especificaciones	75

PRECAUCIÓN

- No permita que ningún líquido se derrame o salpique este aparato.
- No coloque objetos que contengan líquidos, como jarrones, encima de este aparato.
- No instale este aparato confinado en un espacio reducido, como podría ser encastrado en una estantería o lugar similar.
- Este aparato recibe corriente nominal no operativa de la salida de corriente AC aun cuando su interruptor STANDBY/ON esté en la posición STANDBY.
- El aparato debe estar colocado lo suficientemente cerca de la salida de corriente como para poder acceder al enchufe en cualquier momento.
- Conecte siempre los aparatos de clase **I** como este a salidas de corriente con toma de tierra.
- Las baterías (paquete de baterías o baterías instaladas) no se deben exponer al calor excesivo tal como sol, fuego o similares.
- Un exceso de presión de sonido desde los audífonos y auriculares puede originar pérdida auditiva.

Lea esto antes de la operación

- La temperatura nominal debe estar entre 5°C y 35°C (41°F y 95°F). El grabador de CD-RW es más sensible a las temperaturas extremas que los reproductores comunes de CD (discos compactos).
- La humedad relativa debe ser de 30 a 90 grados sin condensación.
- Debido a que la unidad se puede calentar durante la operación, siempre deje espacio suficiente alrededor de la unidad para su ventilación.
- El voltaje suministrado a la unidad debe corresponder al voltaje que se encuentra impreso en el tablero posterior. Si tiene alguna duda respecto a este asunto, consulte a un electricista.
- Elija la ubicación de instalación de la unidad con cuidado. Evite colocarla bajo la luz directa del sol o cerca de una fuente de calor. También evite ubicaciones sujetas a vibraciones y polvo, calor, frío o humedad excesivos.
- No coloque la unidad sobre un amplificador/ receptor.
- No abra el gabinete sellado, ya que esto puede dar como resultado un daño a los circuitos o una descarga eléctrica. Si se introduce un objeto extraño en el aparato, póngase en contacto con su distribuidor o su agencia de servicio.
- Cuando quite el enchufe de alimentación del tomacorriente de pared, siempre jale directamente del enchufe, nunca del cable.
- Para mantener limpio el lector láser, no lo toque y acuérdesse siempre de cerrar la bandeja.
- No intente limpiar la unidad con solventes químicos, ya que esto puede dañar el terminado. Use una tela seca y limpia.
- Conserve el manual en un lugar seguro para futuras consultas.

NO MUEVA LA UNIDAD DURANTE LA REPRODUCCIÓN

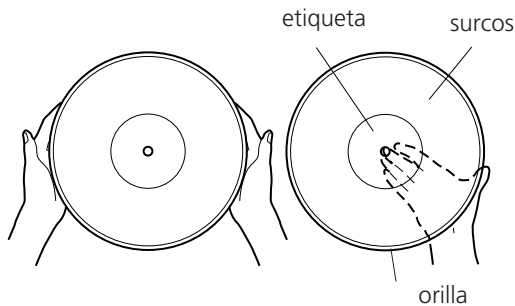
Durante la reproducción, el disco gira a gran velocidad. NO levante ni mueva la unidad durante la reproducción. El hacerlo podría dañar el disco o la unidad.

CUANDO MUEVA ESTA UNIDAD

Cuando se cambian los lugares de instalación o se empaca la unidad para moverse, asegúrese de quitar el disco. El mover esta unidad con el disco cargado puede dar como resultado un daño a la unidad. Si la unidad se va a empacar y moverse a una distancia grande, también es recomendable sujetar el tornillo de seguro de transporte del tornamesa. Véase la página 9 para las instrucciones.

Manejo de discos

- No toque los surcos. Maneje los discos por las orillas o la etiqueta solamente, con las manos limpias. Los aceites incluso de las manos limpias pueden dejar un residuo en la superficie del disco que gradualmente va a deteriorar la calidad de su disco.



- Mantenga sus discos lejos del polvo. Guárdelos en un lugar frío y seco.
- Para evitar el polvo y las ralladuras, mantenga los discos en sus contenedores y camisas cuando no los esté usando.
- Almacene los discos de manera vertical sostenidos sobre sus orillas. Los discos almacenados horizontalmente finalmente se van a doblar y ondular.
- No exponga los discos a la luz directa del sol o a alta humedad y temperatura. Una exposición larga a altas temperaturas ondulará el disco.
- No almacene sus discos en la cajuela del coche. La temperatura de la cajuela cerrada puede arruinar su colección.
- Almacene los discos en un área con temperatura y humedad estables.
- Si se ensucia el disco, limpie suavemente la superficie en movimientos circulares, usando una tela antiestática suave. Muchos sistemas de limpieza de discos están disponibles comercialmente de varios minoristas o en línea. TEAC no respalda ningún producto específico de éstos, pero, dependiendo de la condición de su colección de discos, puede ser recomendable usar uno de estos sistemas. Los discos limpios protegen su aguja de un desgaste indebido.



Cómo reemplazar la aguja

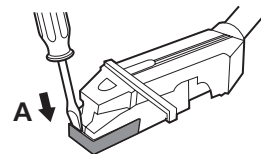
La aguja debe durar aproximadamente 50 horas bajo uso normal. Sin embargo, se recomienda reemplazar la aguja tan pronto como note un cambio en la calidad de sonido. El uso prolongado de una aguja gastada puede dañar el disco. El desgaste será intensificado cuando se reproduzcan discos de 78 RPM. La aguja se desgasta más rápido a la velocidad más alta de los discos de 78 RPM.

Precaución:

- No quite ni doble la aguja.
- Para evitar lesiones, no toque la aguja.
- Apague la alimentación de la unidad para reemplazar la aguja.
- Manténgala fuera del alcance de los niños.
- Manéjela con cuidado, ya que la aguja es delicada. El uso de una aguja doblada o rota puede dañar el disco y causar un mal funcionamiento.
- No esponga la aguja a calor extremo.
- Póngase en contacto con una compañía de reparación calificada en caso de tener dificultades en el cambio de la aguja.

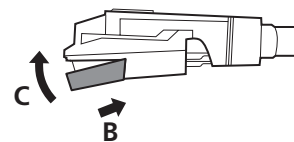
Cómo quitar la aguja usada (gastada)

1. Coloque un destornillador en la punta de la aguja y empuje hacia abajo en la dirección "A".
2. Quite la aguja jalando hacia adelante y abajo.



Instalación de la nueva aguja

1. Sostenga la punta de la aguja e inserte la otra orilla empujándola en la dirección "B".
2. Empuje hacia arriba en la dirección "C" hasta que se encaje en la punta.



Sírvase utilizar discos CD, CD-R que poseen la marca "DIGITAL AUDIO".



Esta unidad **NO PUEDE GRABAR** discos CD-R y CD-RW diseñados para sistemas de computadoras.



En este manual, aunque nos referimos a los discos "CD-R" y "CD-RW", siempre nos referimos a "Audio digital CD-R" y "Audio digital CD-RW", aun cuando no esté establecido explícitamente.

- Los discos CD-R y CD-RW diseñados para sistemas de computadoras y grabados apropiadamente por una computadora son reproducibles, pero esta unidad no puede grabar, finalizar ni borrarlos.
- Según la calidad del disco y/o el estado de la grabación, es posible que no se puedan reproducir algunos discos CD-R/CD-RW.
- Los discos protegidos contra copia y otros discos que no corresponden al estándar de los CDs pueden no ser reproducidos correctamente en esta unidad. Si utiliza tales discos en esta unidad, TEAC Corporation y sus subsidiarias no asumen ninguna responsabilidad por las posibles consecuencias ni garantizan la calidad de la reproducción. Si surge algún problema con estos discos no estándar, deberá ponerse en contacto con los fabricantes del disco.
- Coloque siempre el disco en la bandeja con la cara de la etiqueta hacia arriba. (Los discos compactos sólo se reproducen y graban por una cara).
- Para extraer un disco de su estuche, presione el centro de la caja y levante con cuidado el disco sosteniéndolo por los bordes.



Extracción del disco

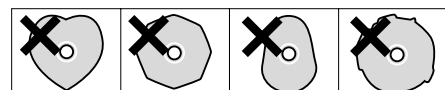


Así se sostiene el disco

- Si se ensucia el disco, pase un paño seco y suave por la superficie, en sentido radial (desde el agujero central hacia fuera en dirección al borde externo).



- No utilice nunca productos químicos como los aerosoles para discos de vinilo, antiestáticos o líquidos, bencina o solventes para limpiar los discos. Tales sustancias causarán daños irreparables en la superficie de plástico del disco.
- Los discos deberán devolverse a sus estuches después de usarlos para evitar la acumulación de polvo y los rayados, que podrían producir "saltos" en el lector láser.
- No esponga los discos a la luz solar directa ni a niveles elevados de temperatura o humedad durante períodos prolongados. La exposición de los discos durante mucho tiempo a altas temperaturas causará su deformación.
- No reproduzca ningún disco que esté doblado, deformado o dañado. Reproducir tales discos pueden causar daños irreparables a los mecanismos de reproducción.
- Los discos CD-R y CD-RW son más sensibles a los efectos del calor y de los rayos ultravioleta que los CD comunes. No conviene guardarlos en lugares donde puedan quedar expuestos a la luz solar directa, y deberán mantenerse alejados de fuentes de calor como los radiadores o los aparatos eléctricos que desprendan calor.
- No se recomiendan los discos CD-R y CD-RW imprimibles, ya que el lado de la etiqueta puede tener restos de adhesivo y dañar la unidad.
- No adhiera papeles ni láminas de protección a los discos, ni aplique ningún tipo de aerosol de revestimiento para protección.
- Utilice un rotulador de punta blanda para escribir la información en el lado de la etiqueta. No emplee nunca bolígrafos ni lápices de punta dura, ya que podría dañar la cara grabada del disco.
- No utilice nunca estabilizadores. Los estabilizadores de CD existentes en el mercado producirán daños en los mecanismos y anomalías en su funcionamiento.
- No utilice discos de diseño irregular (octogonales, forma de corazón, tamaño de tarjeta de visita, etc.), ya que pueden dañar la unidad.



- Si tiene alguna duda sobre el cuidado y manipulación de un disco CD-R/CD-RW, lea las precauciones suministradas con el disco o póngase directamente en contacto con el fabricante.

Acerca de los discos CD-R y CD-RW

Los discos CD-R pueden ser grabados sólo una vez. Una vez que hayan sido usados para grabar, no se podrán borrar o regrabar los discos.

Sin embargo, si hay espacio disponible en el disco (y el disco no haya sido finalizado), se puede grabar material adicional.

Por el contrario, un disco CD-RW se puede utilizar más de la misma manera como un disco CD-R, pero la última pista o las pistas grabadas pueden ser borradas, y el espacio que existe en el disco puede ser reutilizado para otras grabaciones.

Sin embargo, debe saber que un CD de audio creado usándose un disco CD-RW puede no ser reproducido satisfactoriamente en todos los reproductores de CD de audio.

Un CD-R, por el contrario, puede ser reproducido satisfactoriamente en la mayoría de los reproductores de CD de audio.

Finalización

Aunque los datos de audio pueden ser grabados en un disco CD-R o CD-RW, un reproductor de CD estándar no podrá reproducir el audio hasta que una tabla de contenido (TOC) final se grabe en el inicio del disco.

El proceso de grabación de esta tabla de contenido es reconocido como "finalización". Una vez que esto haya sido hecho, no se puede grabar ningún dato más en el disco.

Observe que un disco CD-RW que se ha finalizado puede ser "desfinalizado".

Esto le permite grabar más pistas en el disco, con tal que haya espacio en el disco.

- La reproducción repetida, aleatoria y programada no funciona con discos desfinalizados (NO TOC).

Discos grabables

En este manual, usamos el término disco "grabable" para describir un disco CD-R o CD-RW que no haya sido finalizado, y tiene espacio suficiente para grabar.

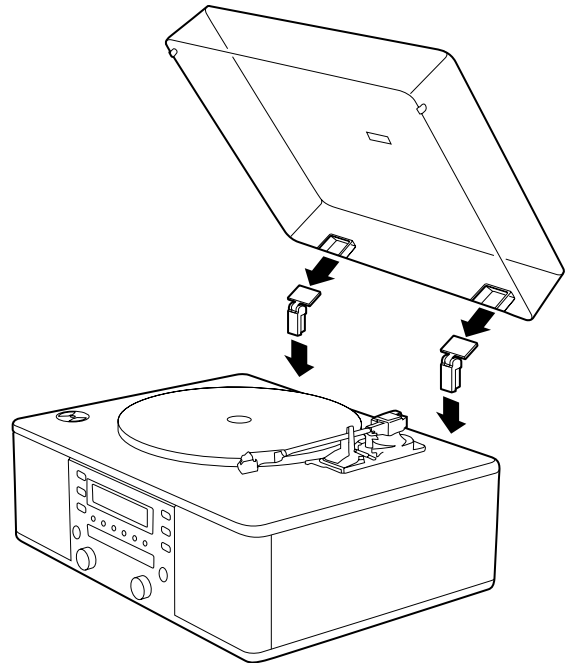
Cubierta de la tornamesa

Para instalar la cubierta de la tornamesa

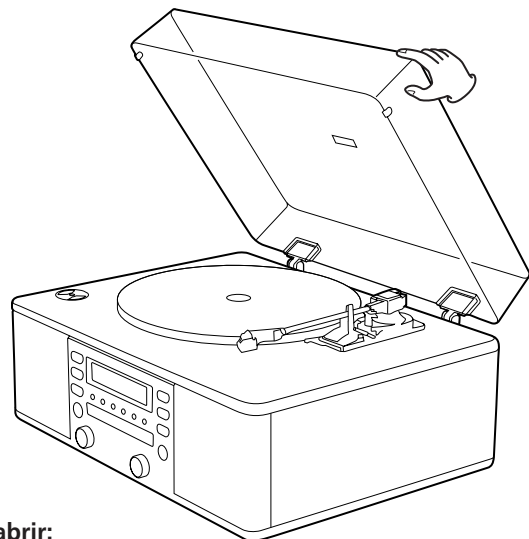
1. Deslice las bisagras en ambos lados de la parte trasera de la tornamesa en los accesorios de montaje de las bisagras hasta donde vayan.
2. Coloque los accesorios de montaje de las bisagras de la cubierta de la tornamesa sobre la parte superior de las bisagras y deslice la cubierta en posición.

Para sacar la cubierta de la tornamesa

Sostenga la cubierta en ambos lados y tírela suavemente hacia arriba para sacarla de las bisagras.



Cómo abrir/cerrar la cubierta de la tornamesa



Para abrir:

Levante la cubierta de la tornamesa por la mitad, hasta que se detenga.

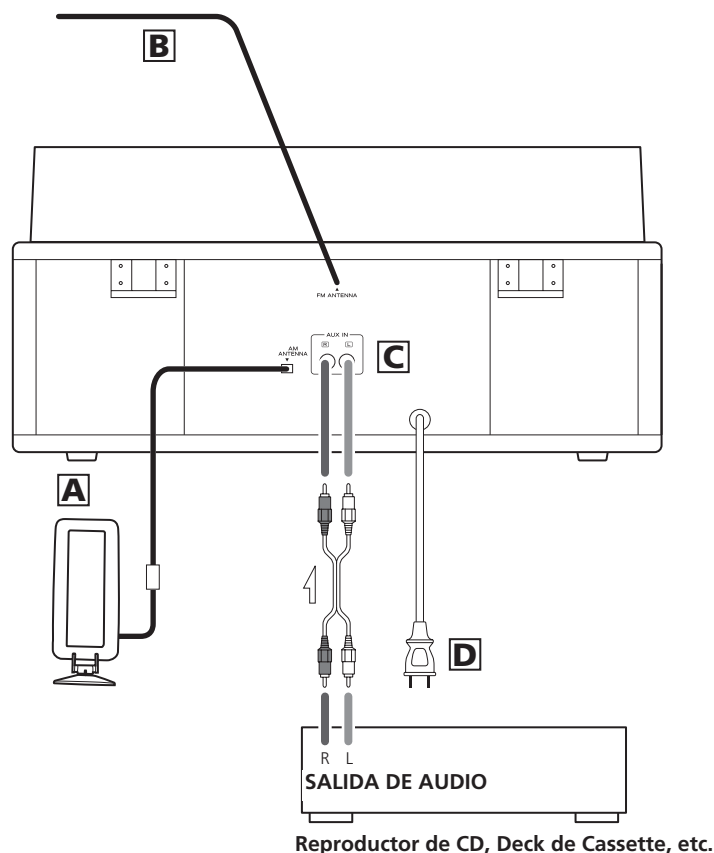
- Ahora la cubierta permanecerá abierta.

Para cerrar:

Baje lentamente la cubierta hasta que toque la base de la tornamesa.

Nota:

Asegúrese de agarrar la cubierta por los bordes para evitar pellizcarse los dedos mientras la cierra.

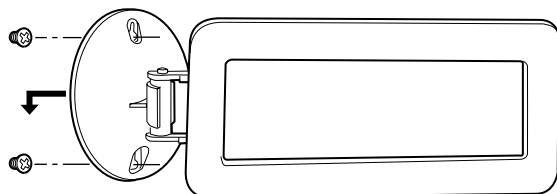


PRECAUCIÓN:

- Apague todos los componentes antes de realizar las conexiones.
- Lea las instrucciones de todos los componentes que vaya a utilizar con la unidad.
- Asegure firmemente cada uno de los conectores. Para evitar zumbidos y ruido, no envuelva los cables de conexión junto con los cables de alimentación de CA.

A Antena de cuadro de AM

Oriente la antena para optimizar la recepción. Si lo desea, puede anclar la antena de AM a una pared como se indica en la ilustración:



B Antena FM

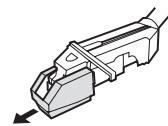
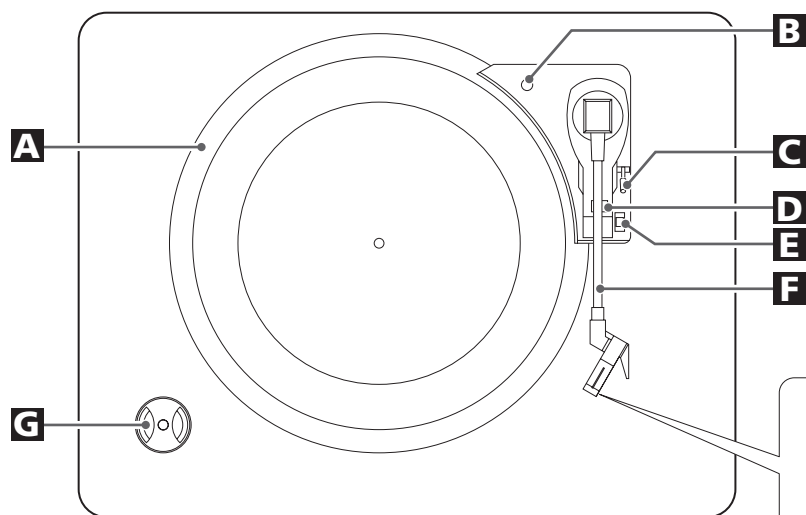
Mientras se encuentre en la banda FM, sintonice una estación de FM y extienda la antena hasta encontrar la mejor posición para la recepción. Si mueve su unidad a una nueva ubicación, puede ser necesario volver a ajustar esta antena.

C Conectores AUX IN (entrada auxiliar)

Usted puede conectar un reproductor de CD, deck de cassettes, etc. a esta unidad. Conecte el componente con los cables de clavija RCA. Asegúrese de conectar el enchufe blanco al conector blanco (Izquierda) y el enchufe rojo a los conectores rojos (Derecha).

D Cable de alimentación de CA

Enchufe este cable de alimentación de CA en un tomacorriente de pared CA.

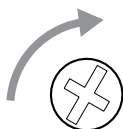


Antes de usar la tornamesa, retire la protección de la aguja (cubierta de plástico blanco) jalándola en línea recta hacia el frente del cartucho, en la dirección que marca la flecha.

A tornamesa

B fije con tornillos la tornamesa para su transporte

Antes de usarse, afloje completamente el tornillo girándolo hacia la derecha con una moneda o con un destornillador.



Cuando transporte la unidad, gire el tornillo hacia la izquierda para fijar la tornamesa.

C palanca para adelantar

Utilice esta palanca para levantar el brazo de sintonización.

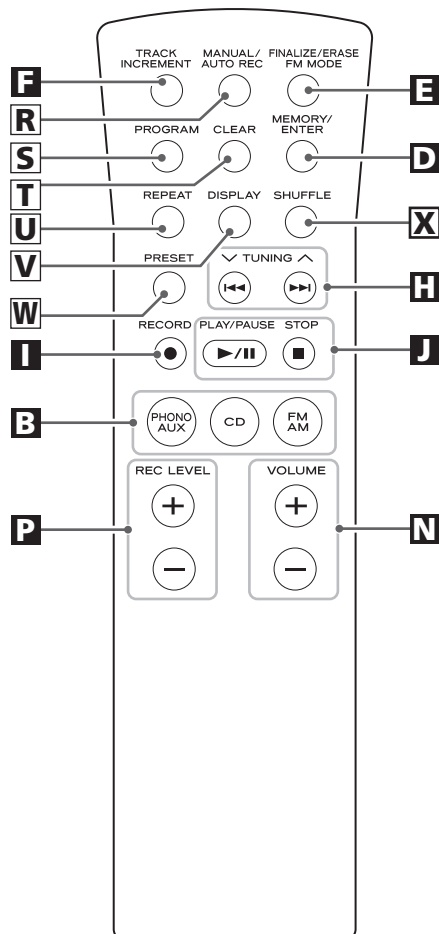
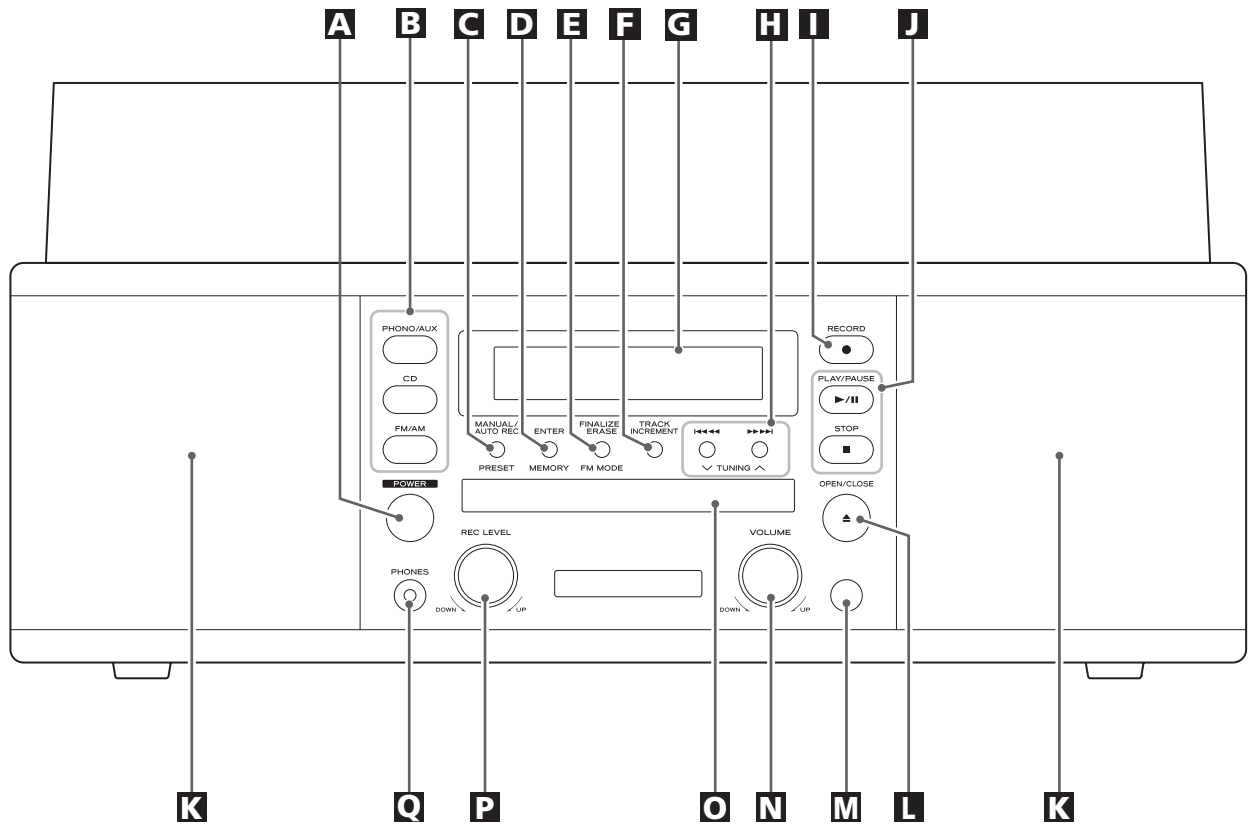
D base del brazo de sintonización

E selector de velocidad

F brazo de sintonización

G adaptador de 45 RPM

Funciones y Control Remoto



A POWER

Presione este botón para encender o apagar la unidad.

B PHONE/AUX, CD, FM/AM

Presione el botón PHONO/AUX y seleccione PHONO para reproducir un disco.

Presione el botón PHONO/AUX y seleccione AUX para escuchar la fuente externa conectada en los jacks AUX IN.

Presione el botón CD para reproducir un CD.

Presione el botón FM/AM para escuchar el radio.

C MANUAL/AUTO REC, PRESET

(GRABACIÓN MANUAL/AUTOMÁTICA, PRESINTONÍAS)

Utilice este botón para seleccionar el modo de asignación de números a las pistas.

En el modo TUNER, utilice este botón para seleccionar una estación preajustada.

D ENTER/MEMORY

Utilice este botón para iniciar la finalización y borrado.

Utilice también este botón para preajustar las estaciones.

E FINALIZE/ERASE, FM MODE

Utilice este botón para finalizar un disco CD-R/CD-RW.

Utilice este botón para borrar o desfinalizar un disco CD-RW.

Utilice este botón para seleccionar FM MODE.

F TRACK INCREMENT (INCREMENTO DE PISTA)

Durante la grabación, utilice este botón para dividir las pistas.

G Pantalla

H Skip (◀◀ / ▶▶), TUNING (∨ / ∧)

En el modo CD, utilice estos botones para saltar pistas.

Mantenga presionado estos botones para buscar por una parte de una pista.

En el modo FM/AM, utilice estos botones para sintonizar una estación.

I RECORD (GRABAR)

Utilice este botón para iniciar el modo pausa de grabación.

J Botones de operación del CD

PLAY/PAUSE (▶ / II)

Utilice este botón para iniciar o pausar la reproducción y grabación.

STOP (■)

Utilice este botón para detener la reproducción o grabación.

K Altavoces (estéreo)

L OPEN/CLOSE

En el modo CD o PHONE/AUX, utilice este botón para abrir y cerrar la bandeja de discos.

- Este botón no funciona en el modo FM/AM.

M SENSOR REMOTO

Cuando opere la unidad de control remoto, apúntela hacia el SENSOR REMOTO.

N VOLUME

Gire esta perilla para ajustar el volumen.

O Bandeja de disco

P REC LEVEL

En el modo de pausa de grabación, utilice esta perilla para ajustar el nivel de grabación.

Q PHONES

Para escuchar en privado, primero reduzca el nivel del volumen al mínimo. Luego inserte el enchufe de los audífonos en el conector PHONES, y ajuste el volumen girando la perilla VOLUME. El sonido de las bocinas serán aislados mientras los audífonos estén enchufados.

R MANUAL/AUTO REC (GRABACIÓN MANUAL/AUTOMÁTICA)

Utilice este botón para seleccionar el modo de asignación de números a las pistas.

S PROGRAM

En el modo CD, utilice este botón para programar pistas.

T CLEAR

En el modo CD, utilice este botón para borrar las pistas programadas.

U REPEAT

En el modo CD, utilice este botón para seleccionar un modo de repetición de CD.

V DISPLAY

En el modo CD, utilice este botón para cambiar la pantalla.

W PRESET (PRESINTONÍAS)

En el modo TUNER, utilice este botón para seleccionar una estación preajustada.

X SHUFFLE

En el modo CD, utilice este botón para una reproducción aleatoria.

Nota:

Para simplificar las explicaciones e instrucciones contenidas en este manual, refiérase a los nombres de los botones y controles sólo en el panel frontal. Los controles asociados en el control remoto también se operarán similarmente.

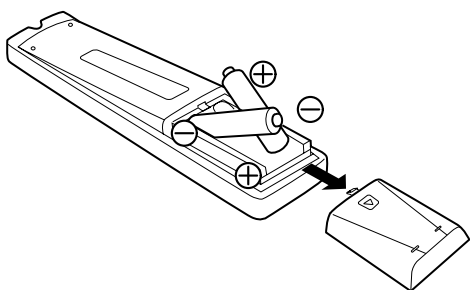
Control Remoto

La unidad de control remoto suministrada le permite controlar el aparato a distancia.

Cuando opere con el control remoto, diríjalo hacia el SENSOR REMOTO en el panel frontal del aparato.

- Aunque se utilice la unidad dentro del margen de funcionamiento efectivo, puede no ser posible operar el control a distancia si hay obstáculos entre el reproductor y el control remoto.
- Si se utiliza el control remoto cerca de otros aparatos que generen rayos infrarrojos o si se emplean controles remotos de otros aparatos que generan rayos infrarrojos cerca del reproductor, es posible que éste no funcione correctamente. Del mismo modo, es posible que los otros aparatos tampoco funcionen correctamente.

Instalación de las pilas



- 1 Abra la tapa del compartimento de las pilas.
- 2 Coloque dos pilas "AA" (R6, SUM-3). Asegúrese de que las pilas queden ubicadas con sus polos positivo "+" y negativo "-" correctamente posicionados.
- 3 Cierre la tapa.

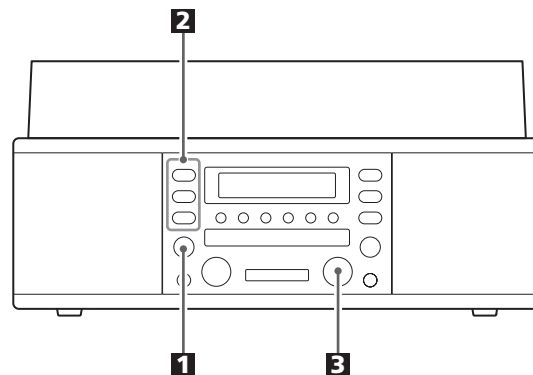
Cambio de pilas

Si nota que ha disminuido la distancia requerida entre el control remoto y el reproductor, para que el control remoto pueda funcionar correctamente, esto significa que las pilas están agotadas. En este caso, reemplácelas por nuevas.

Precauciones con las pilas

- Asegúrese de insertar las pilas con sus polaridades positiva "+" y negativa "-" correctas.
- Utilice pilas del mismo tipo. Nunca utilice diferentes tipos de pilas juntas.
- Pueden utilizarse pilas recargables y no recargables. Consulte las precauciones en sus rótulos.
- Si no va a utilizar el control remoto por mucho tiempo (más de un mes), retire las pilas para evitar fugas de electrolitos. Si se produce fugas de electrolitos, limpie el líquido en el interior del compartimento y cambie las pilas por nuevas.
- No caliente ni desarme las pilas y nunca arroje pilas gastadas al fuego.

Operación básica



- 1 Presione el interruptor POWER para encender la unidad.

POWER



- 2 Seleccione una fuente presionando el botón correspondiente.

PHONO/AUX



CD



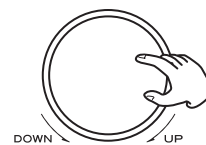
FM/AM



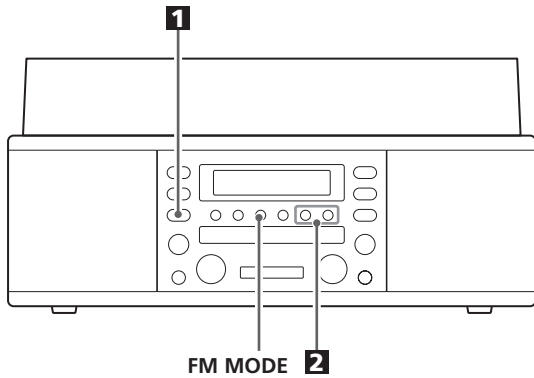
- Para escuchar una fuente externa conectada en los conectores AUX, seleccione AUX presionando el botón PHONO/AUX una o dos veces.

- 3 Reproduzca la fuente, y ajuste el volumen girando la perilla VOLUME.

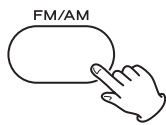
VOLUME



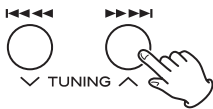
El volumen se puede ajustar entre 0 y 40.



1 Seleccione FM o AM utilizando el botón FM/AM.



2 Seleccione la estación que desee escuchar (selección automática).



Mantenga presionado el botón TUNING (∨ o ∧) hasta que la visualización de la frecuencia comience a cambiar.

- Cuando se sintoniza una estación, el proceso de sintonización parará automáticamente.
- Presione el botón TUNING (∨ o ∧) para detener la selección automática.

Selección de estaciones que no pueden sintonizarse automáticamente (selección manual)

Cuando se presiona el botón ∨ o ∧, la frecuencia cambia en un paso fijo.

Presione el botón ∨ o ∧ repetidamente hasta que se encuentre la estación que desea escuchar.

Botón FM MODE

Pulse este botón para conmutar entre los modos estéreo y monofónico.



STEREO (estéreo):

Las emisiones de FM estéreo se reciben en estéreo y el indicador "STEREO" se ilumina en la pantalla.

- Si el sonido se recibe distorsionado y el indicador "STEREO" luce intermitente, significa que la señal no tiene suficiente intensidad para una correcta recepción estéreo. En tal caso, seleccione el modo MONO.

MONO

Seleccione este modo si la recepción de FM estéreo es débil. El sonido será monofónico y con menos ruido.

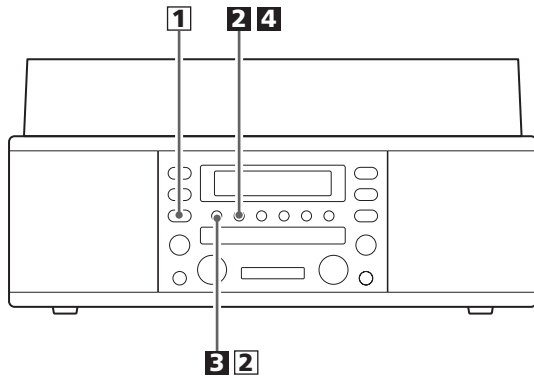
Si la recepción es deficiente

Transmisión de AM:

Gire la antena AM y/o la unidad para encontrar la posición de mejor recepción para las estaciones de AM.

Transmisión de FM:

Extienda y ajuste la posición de la antena FM hasta obtener la mejor recepción de las estaciones.



Puede almacenar emisoras de FM y AM en las presintonías 1 a 9.

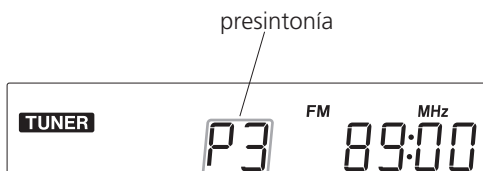
1 Sintonice una emisora (pasos **1** a **2** en página 62).

2 Pulse el botón ENTER/MEMORY.



- Puede sintonizar otra estación aún después de presionar el botón ENTER/MEMORY.

3 Seleccione un canal de preajuste para almacenar la estación utilizando el botón PRESET



4 Pulse el botón ENTER/MEMORY.

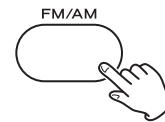


La emisora queda memorizada y el indicador MEMORY se apaga.

Para almacenar otras emisoras, repita los pasos **1** a **4**.

Cómo seleccionar presintonías

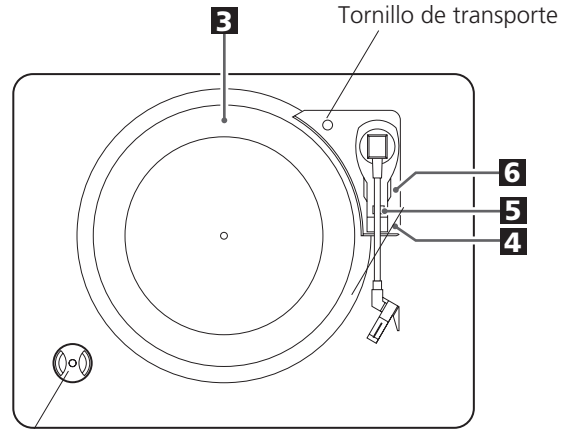
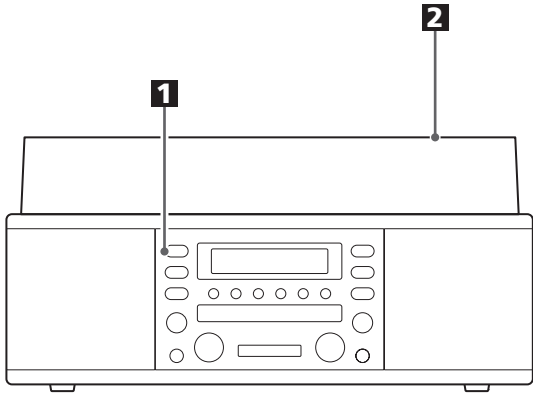
1 Pulse el botón FM/AM para seleccionar una banda.



2 Pulse el botón PRESET repetidas veces hasta localizar la presintonía deseada.



Para escuchar un disco 1



Adaptador

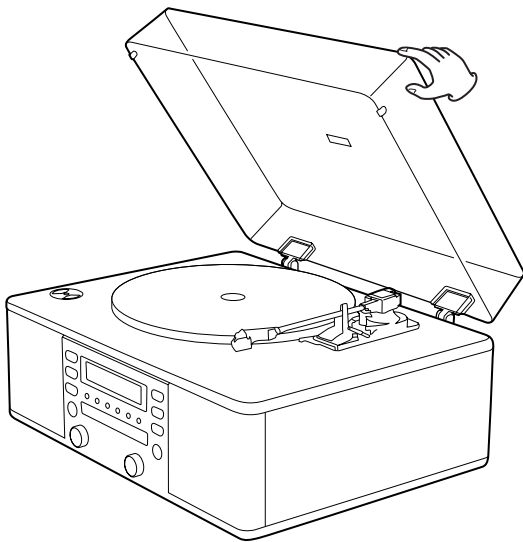
- Antes de utilizar la tornamesa, afloje completamente el tornillo de transporte girándolo hacia la derecha con una moneda y retirar el protector de la aguja.

- 1** Presione el botón PHONO/AUX una o dos veces para seleccionar PHONO.



- 2** Abra suavemente la cubierta de protección contra polvo.

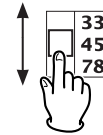
Tenga cuidado de no machucarse el dedo.



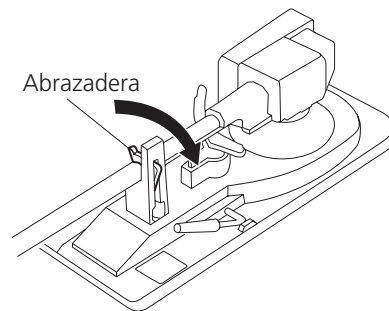
- 3** Coloque el disco en la tornamesa.

Cuando se reproduce un disco de 45 RPM, utilice el adaptador suministrado.

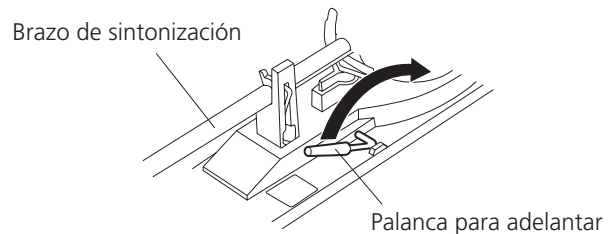
- 4** Seleccione la velocidad.



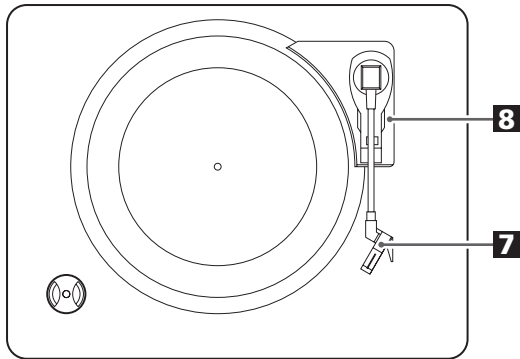
- 5** Empuje suavemente la abrazadera hacia la derecha para liberar el brazo de sintonización.



- 6** Levante la palanca para adelantar elevando el brazo de sintonización y sacarlo del soporte de éste.

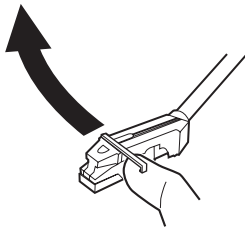


Para escuchar un disco 2



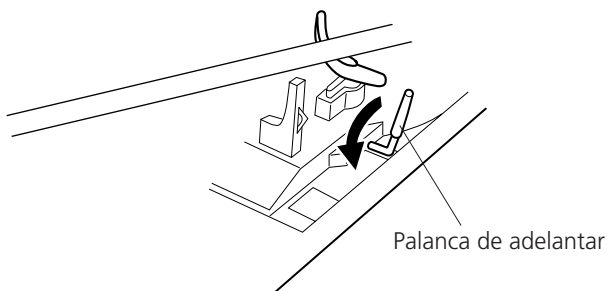
7 Mueva el brazo de sintonización suavemente hacia la orilla del disco (o al punto inicial de una pista).

La tornamesa comenzará a girar.



8 Baje suavemente el brazo de sintonización liberando de manera lenta la palanca para adelantar.

Usted puede bajar el brazo de sintonización manualmente si no se ha subido la palanca para adelantar.



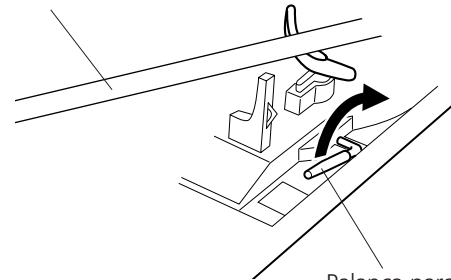
- El reproducir discos con la cubierta de protección contra polvo puesta, evitará que el polvo se asiente en la tornamesa.

No coloque ningún objeto sobre la cubierta de la tornamesa, especialmente al reproducir un disco.

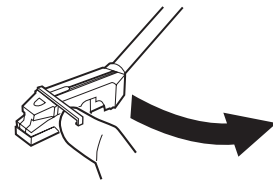
Cuando la reproducción haya terminado, el brazo de sintonización vuelve automáticamente hacia la base del brazo de sintonización y la rotación se detiene.

Para detener la reproducción manualmente, levante ligeramente el brazo de sintonización utilizando la palanca para adelantar y regréselo al soporte del brazo de sintonización.

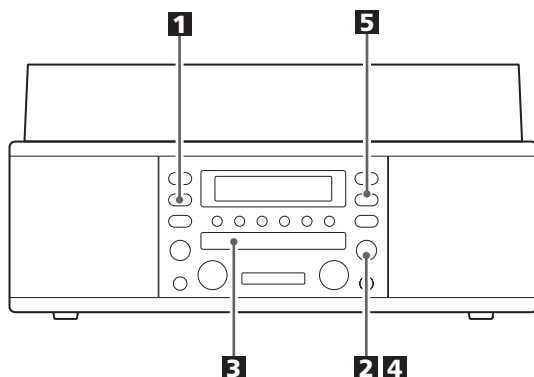
Brazo de sintonización



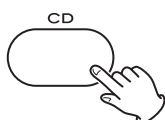
Palanca para adelantar



Para escuchar un CD 1



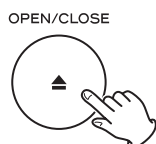
1 Presione el botón CD.



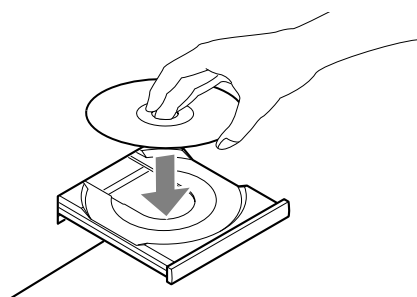
"--" parpadea durante unos segundos.

Si no hay ningún disco colocado, "no DISC" aparece en la pantalla.

2 Presione el botón OPEN/CLOSE (▲) para abrir la bandeja.

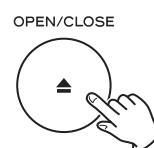


3 Coloque un disco en la bandeja con la etiqueta impresa hacia arriba.



- Nunca coloque más de un disco en la bandeja.
- El disco debe ser colocado en el centro de la bandeja de disco. Si el disco no está correctamente puesto, puede no ser posible abrir nuevamente la bandeja, una vez que se haya cerrado, de manera que deberá asegurarse que el disco esté siempre centrado en la bandeja.
- No fuerce la bandeja con la mano durante las operaciones de abrir y cerrar.

4 Presione el botón OPEN/CLOSE (▲) para cerrar la bandeja.



- Llevará unos cuantos segundos hasta que la unidad cargue el disco. Ningún botón funcionará durante la carga. Espere hasta que se desplieguen el número total de pistas y el tiempo total de reproducción del disco.



- El indicador de tipo de disco muestra el tipo de disco actualmente cargado.

CD:

Un CD comercial pregrabado

CD-R:

Un CD-R finalizado

CD-RW:

Un CD-RW finalizado

NO TOC CD-R:

Un CD-R el cual todavía no haya finalizado

NO TOC CD-RW:

Un CD-RW el cual todavía no haya finalizado

blank:

Sin disco o disco imposible de leer

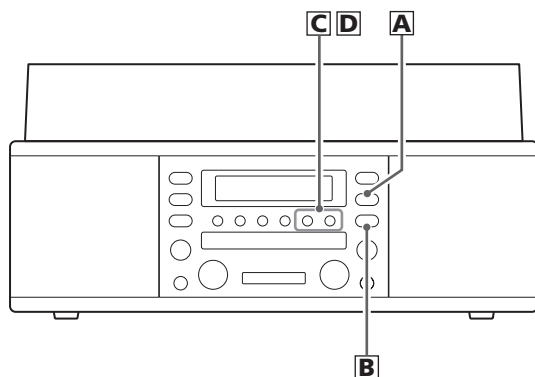
5 Presione el botón PLAY/PAUSE (▶/||) para iniciar la reproducción.



Se inicia la reproducción de la primera pista del disco y ▶ se ilumina en la pantalla.

- Si ha cargado el disco, y luego presiona el botón PLAY/PAUSE sin haber cerrado primero la bandeja de disco, la bandeja de disco se cierra y se inicia la reproducción.

Para escuchar un CD 2



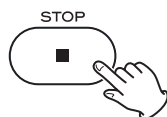
A Para suspender la reproducción temporalmente (modo de pausa)



Presione el botón PLAY/PAUSE (▶/||) durante la reproducción. La reproducción se detiene en la posición actual.

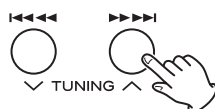
Para reanudar la reproducción, presione de nuevo el botón PLAY/PAUSE (▶/||).

B Para detener la reproducción



Presione el botón STOP (■) para detener la reproducción.

C Para saltar a la pista anterior o siguiente

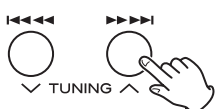


Durante la reproducción, presione reiteradas veces el botón ◀◀ o ▶▶ hasta encontrar la pista deseada. Se reproducirá la pista seleccionada desde el principio.

En el modo de parada, presione el botón ◀◀ o ▶▶ reiteradas veces hasta encontrar la pista que desea escuchar, y presione el botón PLAY/PAUSE (▶/||) para iniciar la reproducción desde la pista seleccionada.

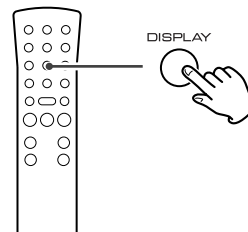
- Cuando se presiona el botón ◀◀ durante la reproducción, la pista que se está reproduciendo se volverá a reproducir desde el principio. Para regresar al principio de la pista anterior, presione dos veces el botón.

D Para buscar una parte de una pista



Durante la reproducción, mantenga presionado el botón ◀◀ o ▶▶ ay libérela cuando haya encontrado la parte que desea escuchar.

Indicación de tiempo

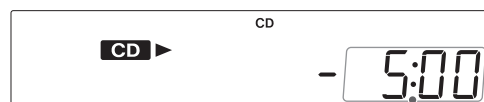


Cada vez que se presiona el botón DISPLAY, la indicación cambia conforme sigue:

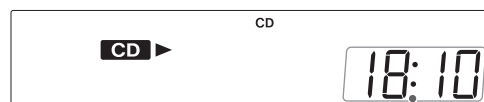
Reproducción de CD/CD-R/CD-RW



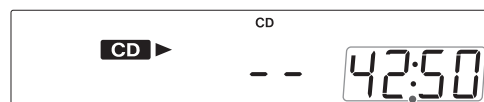
Tiempo transcurrido de la pista actual



Tiempo restante de la pista actual

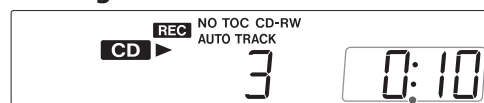


Tiempo total transcurrido del disco

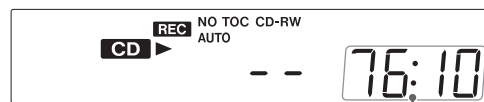


Tiempo restante del disco

Durante la grabación



Tiempo transcurrido de grabación de la pista

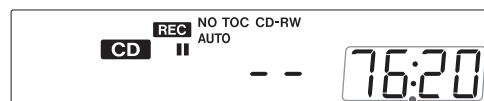


Tiempo restante de grabación del disco

En el modo de pausa de grabación

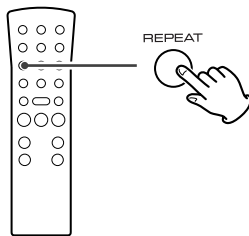


Número de la próxima pista de grabación

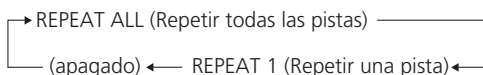


Tiempo restante de grabación del disco

Reproducción Repetida



Cada vez que se presione el botón REPEAT (repetir), cambiará el modo como sigue:



REPEAT ALL (Repetir todas las pistas)

Presione una vez el botón REPEAT durante la reproducción. Todas las pistas del disco serán reproducidas repetidamente.

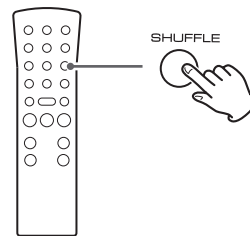
REPEAT 1 (Repetir una pista)

Presione dos veces el botón REPEAT durante la reproducción. La pista que está siendo reproducida será reproducida repetidamente. Si presiona el botón ◀◀◻▶▶ y selecciona otra pista, la pista seleccionada será reproducida repetidamente.

También es posible seleccionar una pista para ser repetida en el modo STOP (PARADA). Presione dos veces el botón y seleccione el número de pista presionando el botón ◀◀◻▶▶. Presione el botón PLAY/PAUSE para iniciar la reproducción.

- Si se presiona uno de los siguientes botones, se cancelará el modo de repetición:
OPEN/CLOSE, POWER, FM/AM, PHONO/AUX
- La reproducción repetida funciona con discos finalizados únicamente.

Reproducción aleatoria



Las pistas pueden ser reproducidas aleatoriamente. Presione el botón SHUFFLE durante la reproducción. (En el modo de parada, presione el botón SHUFFLE y el botón PLAY/PAUSE).

Cuando termine la reproducción aleatoria de todas las pistas, la unidad se detiene pero el modo de reproducción aleatoria no se cancela.

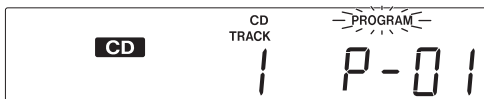
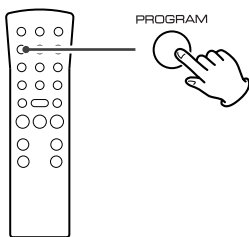
- Si se presiona el botón ▶▶ durante la reproducción aleatoria, la siguiente pista será seleccionada aleatoriamente y reproducida. Si se presiona el botón ◀◀, la pista reproducida actualmente será reproducida desde el principio. Una pista no puede ser reproducida de nuevo durante la reproducción aleatoria.
- La reproducción aleatoria no funciona durante la reproducción programada.
- Si no se pulsan ninguno de los siguientes botones, la reproducción se detendrá pero no se cancelará el modo de reproducción aleatoria.
SHUFFLE en el modo STOP (PARADA), OPEN/CLOSE, POWER, FM/AM, PHONO/AUX
- La reproducción aleatoria funciona con discos finalizados únicamente.

Reproducción programada

Se puede programar hasta 32 pistas en el orden deseado.

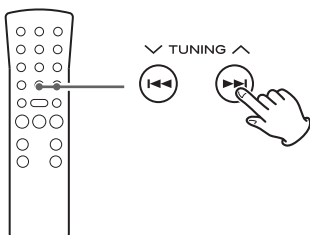
- Inserte un disco y seleccione "CD" antes de empezar la programación.
- La reproducción aleatoria no funciona durante la reproducción programada.
- La reproducción programada funciona con discos finalizados únicamente.

1 Presione el botón PROGRAM en el modo STOP (PARADA).



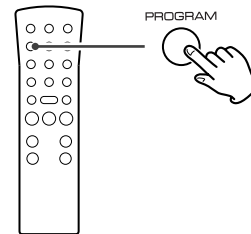
El indicador "PROGRAM" parpadea, y aparece "P-01" en la pantalla.

2 Presione el botón ◀◀ o ▶▶ para seleccionar una pista.



Número de pista

3 Presione el botón PROGRAM.

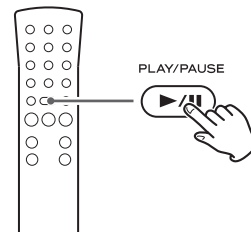


La pista se programa, y se despliega "P-02".

Repita los pasos 2 y 3 para programar más pistas.

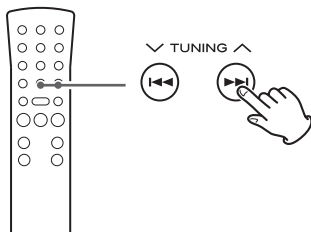
- Puede programar hasta 32 pistas.
- Para cancelar el modo de programación, presione el botón STOP (■).

4 Cuando se completa la selección de los números de pista, presione el botón PLAY/PAUSE (▶/||) para iniciar la reproducción del programa.



Para verificar el orden programado

En el modo de parada, presione el botón **I◀◀ o ▶▶I** repetidamente para mostrar los números de pista que se ha almacenado en la memoria.

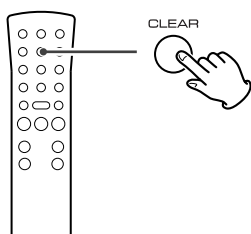


Para añadir una pista al final del programa

En el modo de parada, presione el botón PROGRAM. Seleccione un número de pista presionando el botón **I◀◀ o ▶▶I**, y luego presione el botón PROGRAM. Se añadirá la pista al final del programa.

Para eliminar la última pista del programa

En el modo de parada, presione el botón CLEAR para eliminar la última pista del programa.



Para borrar el programa

Si se presiona uno de los siguientes botones, se borrará el contenido programado:

OPEN/CLOSE, POWER, FM/AM, PHONO/AUX,
STOP en el modo de parada

Antes de iniciar la grabación, asegúrese de entender los siguientes puntos:

- La unidad requiere de un soporte CD-R o CD-RW de audio digital para efectuar la grabación. Discos CD-R o CD-RW destinados para computadoras no funcionan con esta unidad.
- Una vez que se haya grabado en un disco CD-R, los datos no pueden ser borrados del mismo.
- Se pueden añadir pistas a un disco grabable desfinalizado. Una vez finalizado, un disco CD-R se fija y se comporta de la misma manera que un CD. Sin embargo, los discos CD-RW finalizados, pueden ser desfinalizados, borrados y regrabados.
- Si se presiona el botón STOP o PLAY/PAUSE dentro de cuatro segundos desde el inicio de una pista, la unidad continúa grabando sin señal y se detiene cuando la pista alcanza cuatro segundos.
- Cuando termina la grabación, los indicadores "REC" y "- END - - -" parpadean durante algunos segundos, y la unidad luego pasa al modo de parada. No someta a la unidad a golpes o vibraciones durante la grabación.
- Si el disco llega al final durante la grabación, la unidad comenzará un desvanecimiento gradual en unos segundos. Cuando termina el desvanecimiento gradual, la unidad finaliza el disco automáticamente y se detiene.
- Si el disco llega al final de la pista 99 durante la grabación, la unidad finaliza el disco automáticamente y se detiene.
- El tiempo de grabación de una pista puede diferir ligeramente del original.

Sistema de Administración de Copias en Serie

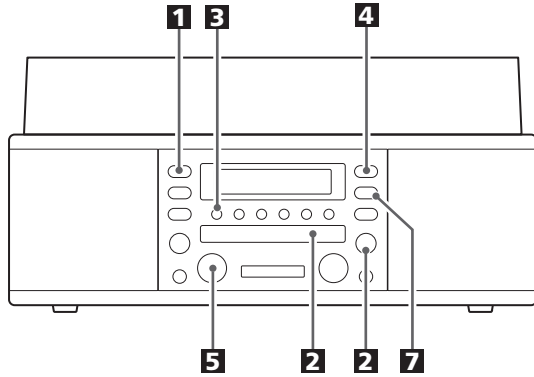
Esta unidad está en conformidad con la norma del Sistema de Administración de Copias en Serie. Esta norma ha sido establecida para restringir la copia digital a digital sólo para la primera generación. Las reglas básicas que gobiernan este sistema son las siguientes:

Regla 1

Es posible efectuar una grabación digital desde una fuente digital, tal como un CD, DAT o MD a un CD-R, CD-RW, MD o DAT grabable a través de una conexión de entrada digital. Sin embargo, se prohíben grabaciones digital a digital adicionales, de segunda generación y posteriores.

Regla 2

Cuando se graba digitalmente una fuente analógica, tal como un disco analógico o transmisión de FM, usando un CD-R, CD-RW, MD o DAT, esta fuente grabada puede ser grabada digitalmente a otro CD-R, CD-RW, MD o DAT. Sin embargo, se prohíbe copias digitales posteriores.



Se puede grabar el audio de las fuentes PHONO o AUX en el grabador de CD.

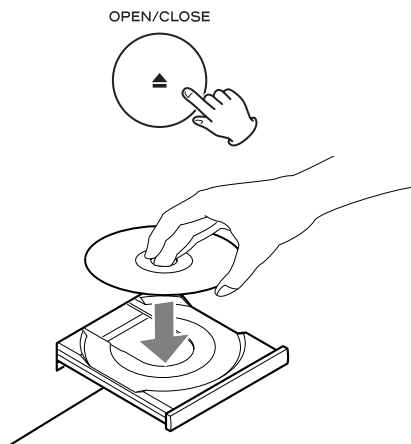
1 Presione el botón PHONO/AUX una o dos veces para seleccionar la fuente a ser grabada.



Para grabar un disco, seleccione PHONO.

Para grabar una fuente externa conectada a los conectores AUX IN, seleccione AUX.

2 Cargue un disco CD-R o CD-RW en la unidad.



Presione el botón OPEN/CLOSE (ABRIR/CERRAR) (▲), coloque un disco en la bandeja de discos con el lado de la etiqueta impresa hacia arriba, y después presione el botón OPEN/CLOSE (▲) para cerrar la bandeja de discos.

Asegúrese que los indicadores "NO TOC" y "CD-R" (o "CD-RW") se enciendan en el monitor, de lo contrario, el botón RECORD (GRABAR) no funcionará en el paso **4**.

3 Seleccione el modo de asignación de número de pista utilizando el botón MANUAL/AUTO REC (GRABACIÓN MANUAL/AUTOMÁTICA).



Cuando se presiona el botón MANUAL/AUTO REC (GRABACIÓN MANUAL/AUTOMÁTICA) una vez, el modo actual será exhibido. Presione repetidamente el botón MANUAL/AUTO REC (GRABACIÓN MANUAL/AUTOMÁTICA) para seleccionar cualquier otro modo.

-- (MANUAL)

La unidad no divide las pistas.

Utilice el botón TRACK INCREMENT (Incremento de pista) para dividir pistas.

Se recomienda el uso del modo MANUAL para grabar una fuente analógica, como una grabación.

-20db, -30db o -40db (AUTO REC) (GRABACIÓN AUTOMÁTICA)

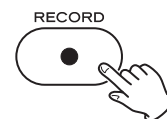
La unidad insertará automáticamente una división de pista en el material grabado cuando el nivel de sonido haya caído abajo del límite durante más de 2 segundos, y el sonido se haya reiniciado.

"-20db" requiere de una señal más fuerte para activar el incremento de pista.

"-40db" quiere decir que una señal relativamente débil activará el incremento de pista. "-40db" es conveniente para grabar una fuente sin ruido, como por ejemplo, un CD.

- AUTO REC (GRABACIÓN AUTOMÁTICA) puede no funcionar correctamente con fuentes analógicas que contengan ruidos de bajo nivel.
- El indicador AUTO se enciende cuando se selecciona -20dB, -30dB ó -40dB.
- El ajuste predefinido de fábrica es MANUAL (desactivado). Cuando se enciende la alimentación de la unidad, el ajuste será redefinido automáticamente para MANUAL (desactivado).
- El botón MANUAL/AUTO REC (GRABACIÓN MANUAL/AUTOMÁTICA) no funciona durante la grabación o durante el modo de pausa de grabación.

4 Presione el botón RECORD (GRABACIÓN).



El indicador rojo en el botón RECORD comenzará a parpadear.

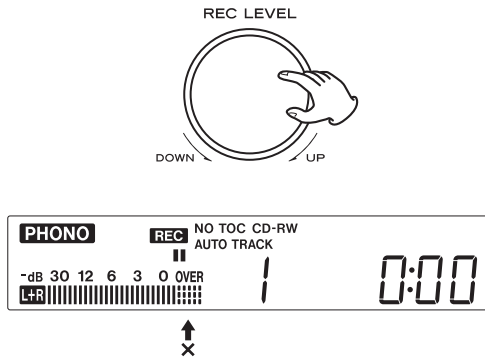
La unidad entra en el modo de pausa de grabación.

En el modo de pausa de grabación, el indicador "REC" parpadea y el indicador **II** se enciende en la pantalla.

- Mientras "bUSY" (ocupado) esté exhibido, ningún botón funcionará. Espere unos segundos hasta que "bUSY" (ocupado) desaparezca del monitor.

- Si el indicador rojo del botón RECORD no se enciende, recoloque un disco grabable, espere unos segundos hasta que los indicadores "CD-R" (o "CD-RW") se enciendan en el monitor, y presione nuevamente el botón RECORD.

- 5** Si es necesario, ajuste el nivel de grabación utilizando la perilla REC LEVEL (NIVEL DE GRABACIÓN).

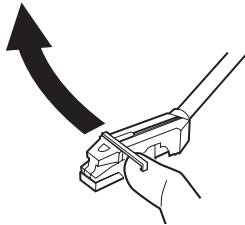


Reproduzca la fuente a ser grabada y ajuste el nivel de grabación de manera que el sonido más fuerte no exceda el indicador "OVER" en el medidor de nivel de pico.

Se puede ajustar el nivel desde -∞ (∞) dB hasta 18 dB.

- El ajuste predefinido de fábrica es 0 dB. Cuando se enciende la unidad, o cuando se pulsa el botón STOP, la configuración vuelve automáticamente a 0 dB.

- 6** Si se selecciona PHONO en el paso 1, baje ligeramente el brazo de sintonización en la orilla del disco (o en la pista a ser grabada).



Cuando la tornamesa se detiene, el botón PLAY (REPRODUCCIÓN)/PAUSE (PAUSA) no funcionará y no se puede empezar la grabación.

- 7** Presione el botón PLAY (REPRODUCCIÓN)/PAUSE (PAUSA) para empezar la grabación.



Nunca apague la unidad ni desconecte el cable de alimentación durante la grabación.

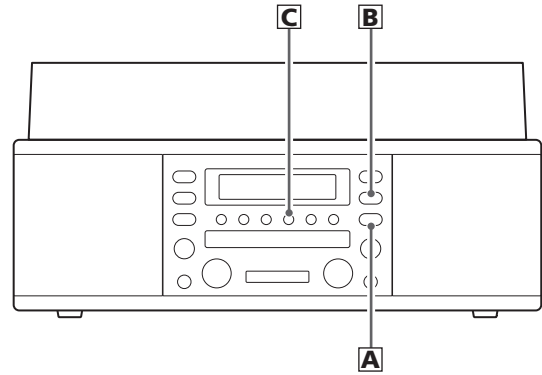
- 8** Si se selecciona AUX en el paso 1, reproduzca la fuente a ser grabada.

Cuando termine de reproducir la fuente, presione el botón STOP (INTERRUPCIÓN) para detener la grabación.

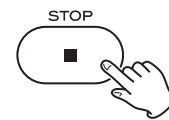
Cuando se detiene la grabación, "END" parpadea y el número de pistas grabadas y el tiempo total de reproducción aparece durante 10 segundos.

Cuando el brazo de sintonización vuelva a la base del brazo de sintonización y la rotación de la tornamesa se detenga, la grabación se detendrá automáticamente.

Sin embargo, para evitar que ruidos indeseados del brazo de sintonización sean grabados, detenga la grabación manualmente utilizando el botón STOP (PARADA).



- A** Para detener la grabación



Presione el botón STOP (■) (PARADA) para detener la grabación.

- B** Para suspender temporalmente la grabación (modo de pausa)



Presione el botón PLAY/PAUSE (▶/||). "bUSY" (ocupado) aparecerá brevemente en el monitor y la grabación será pausada.

Para reiniciar la grabación, presione nuevamente el botón PLAY/PAUSE (▶/||).

- No se puede reiniciar la grabación mientras "bUSY" (ocupado) esté exhibido.

- Recuerde que cada vez que se pausa o detiene la grabación, siempre será destinado un nuevo número de pista. No se puede grabar una pista en dos "etapas".

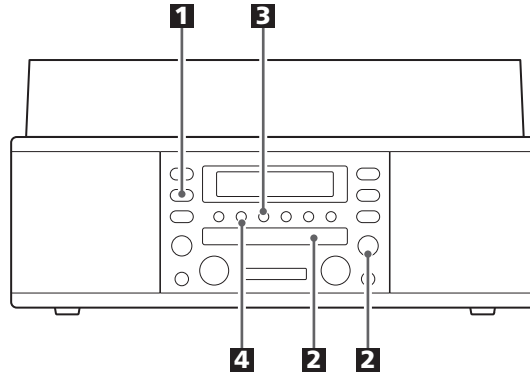
- C** División manual de pistas

Se puede dividir la grabación en pistas durante la grabación. Presione el botón TRACK INCREMENT (INCREMENTO DE PISTA) durante la grabación. El número de pista actual será incrementado de una unidad.



- El botón TRACK INCREMENT (INCREMENTO DE PISTA) funciona independientemente del ajuste MANUAL/AUTO REC (GRABACIÓN MANUAL/AUTOMÁTICA).

- Debido a las restricciones de sistema del CD, una pista no puede tener menos de cuatro segundos de duración, y se puede acomodar un máximo de 99 pistas en un CD de audio.



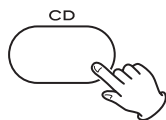
Esta sección se refiere a los procedimientos a ser tomados después de la grabación.

Una vez que estén finalizados, los discos CD-R estarán realmente finalizados. No se puede grabar más pistas en esos discos. En cambio, los discos CD-RW pueden ser "desfinalizados", y si hay espacio, se puede grabar más material.

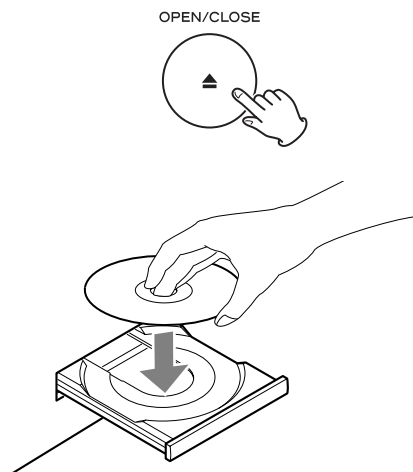
Finalización

Conforme lo explicado anteriormente, para que un disco sea un CD estándar, será necesario tener una Tabla de Contenido (TOC) escrita para eso. Este proceso es conocido como finalización.

1 Presione el botón CD para seleccionar "CD".



2 Cargue un disco no finalizado (grabable).



3 Presione el botón FINALIZE (FINALIZAR) en el modo de parada.



"FINAL" aparece en el monitor.

- Para cancelar el proceso de finalización, presione el botón STOP (■) (PARADA).

4 Presione el botón ENTER/MEMORY para iniciar la finalización.



Los indicadores "NO TOC" y "REC" parpadean y el tiempo restante para efectuar la operación de finalización aparece en el monitor.

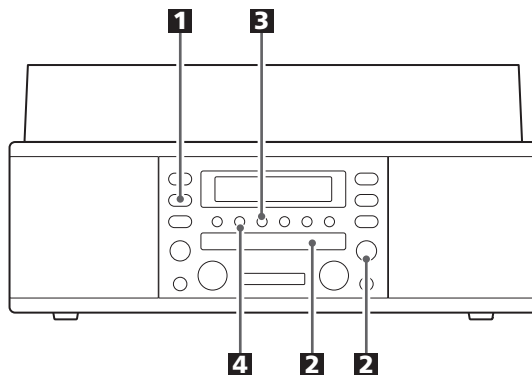
Cuando termine la operación, el indicador NO TOC se apaga y el monitor vuelve a la indicación de pista/tiempo.

Durante la operación de finalización, ningún botón funcionará.

No apague la alimentación ni desenchufe el cable de alimentación.

- Aunque los discos CD-R finalizados puedan ser reproducidos en reproductores de CD comunes, recuerde que los discos CD-RW finalizados pueden no ser reproducibles en reproductores de CD común.

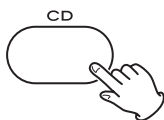
Borrado o Desfinalización de un CD-RW



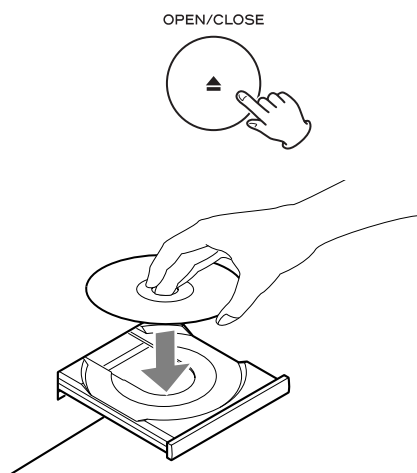
Es posible borrar la última pista grabada y también borrar un disco entero.

Sólo se puede ejecutar los procedimientos de borrado en un disco CD-RW desfinalizado. Si un disco CD-RW ha sido finalizado, desfinalícelo antes de borrarlo. Acuérdesse de que no es posible ejecutar ningún procedimiento de borrado o desfinalización en un disco CD-R.

1 Presione el botón CD para seleccionar "CD".



2 Cargue un CD-RW grabado.



3 Presione el botón FINALIZE/ERASE (FINALIZACIÓN/BORRAR) en el modo de parada.



"UnFINAL" (desfinalizado) aparece cuando se carga un disco finalizado.

"ErASE" y el número de la última pista aparecen cuando el disco no ha sido finalizado.

Cada vez que se presiona el botón FINALIZE/ERASE, la indicación cambia conforme lo siguiente:

UNFINAL

Seleccione esto para desfinalizar el disco.

ErASE XX (el número de la última pista grabada en el disco)

Seleccione esta indicación para borrar la última pista contenida en el disco.

- Esta indicación no aparecerá cuando está grabada una sola pista en el disco.

ErASE ALL

Seleccione esta indicación para borrar todas las pistas.

- Para cancelar el proceso de borrado o de desfinalización, presione el botón STOP (■).

4 Presione el botón ENTER/MEMORY para iniciar el borrado o desfinalización.



El tiempo restante para ejecutar la operación aparece en el monitor.

Cuando termine la operación, el monitor vuelve a la indicación de pista/tiempo.

Durante el borrado/desfinalización, ningún botón funcionará.

Nunca apague la alimentación ni tampoco desenchufe el cable de alimentación.

- No se puede deshacer esta operación. Si pretende borrar una pista o más pistas, asegúrese de que sean grabaciones que usted realmente desea borrar.

Si surge algún problema con la unidad, consulte la siguiente tabla y pruebe a solucionarlo antes de ponerse en contacto con su distribuidor o con el servicio técnico de TEAC.

Sin alimentación.

- Verifique la conexión a la fuente de alimentación de CA. Verifique y asegúrese que la fuente de alimentación CA tiene interruptor y, si lo tiene, que el interruptor esté encendido. Asegúrese de que haya alimentación en el tomacorriente de CA, conectando otro artículo como una lámpara o un ventilador.

No hay sonido.

- Ajuste el volumen.

El sonido es ruidoso.

- La unidad está muy cerca a un TV o aparatos similares. Instale la unidad lejos de ellos o apáguelos.

No funciona el control remoto.

- Presione el interruptor POWER (ENCENDIDO) de la unidad para encenderla.
- Si las baterías están agotadas, cambie las baterías.
- Use la unidad de control remoto dentro de un rango de (5m) y apunte hacia el tablero frontal.
- Quite los obstáculos entre la unidad de control remoto y la unidad principal.
- Si hay una fuente de luz muy fuerte cerca de la unidad, apáguela.

Grabador de CD

No se puede reproducir.

- Inserte un disco con el lado de reproducción hacia abajo.
- Si el disco está sucio, limpie la superficie del disco.
- Se insertó un disco virgen. Inserte un disco pregrabado.
- Dependiendo del disco, etc. puede no ser posible reproducir discos CD-R/CD-RW. Intente otra vez con otro disco.

El sonido salta.

- Coloque la unidad sobre una superficie estable para evitar vibraciones y golpes.
- Si el disco está sucio, limpie la superficie del disco.
- No utilice discos rayados, dañados o deformados.

No se puede grabar.

- Se insertó un disco sólo de reproducción o un disco finalizado. Utilice un disco grabable.
- El disco no tiene una sección grabable. Utilice otro disco.
- El nivel de grabación está demasiado bajo. Ajuste el nivel de grabación.
- Esta unidad no puede grabar discos CD-R o CD-RW destinados para el uso en sistemas de computadoras. Utilice un disco que contenga la marca "DIGITAL AUDIO".

Sintonizador

No se puede escuchar ninguna estación o la señal es demasiado débil.

- Sintonice adecuadamente la estación.
- Si hay un televisor cerca de la unidad, apáguelo.
- Gire la unidad o el cable de la antena FM hasta encontrar la mejor posición para la recepción.

Tornamesa

No se puede reproducir.

- Afloje el tornillo y desprendo la protección de la aguja. (La protección de la aguja es una cubierta de plástico gris ahumado que protege la aguja durante el transporte. ¡Si no se retira adecuadamente esta protección, la aguja no entrará en contacto con las ranuras del disco y no se escuchará ningún sonido!)
 - Si la aguja está gastada, cambie la aguja.
 - Seleccione la velocidad correcta de reproducción.

El sonido salta.

- Coloque la unidad sobre una superficie estable para evitar vibraciones y golpes. Asegúrese de que la unidad esté nivelada tanto en la parte delantera como en la parte posterior y de lado a lado.
- Limpie la superficie del disco.
- No utilice discos rayados, dañados o deformados.

Si no se puede restablecer la operación normal, desenchufe el cable de alimentación del tomacorriente y vuelva a conectarlo.

Tenga cuidado con la condensación

Cuando se mueve la unidad (o un disco) de un lugar frío a uno cálido, o se la usa después de un cambio repentino de temperatura, existe el riesgo de que se produzca condensación; el vapor en el aire podría condensarse en el mecanismo interno, haciendo que la operación correcta se vuelva irregular o imposible. Para evitar esto, o si esto ocurre, deje la unidad durante una o dos horas con la energía encendida. La unidad se estabilizará a la temperatura ambiente de sus alrededores.

Mantenimiento

Siempre mantenga limpio la tornamesa. Si la superficie de la unidad se ensucia, límpiela con una tela suave o utilice jabón líquido suave diluido. Asegúrese de quitar cualquier exceso por completo. No use disolventes, benzina o alcohol, ya que estos pueden dañar la superficie de la unidad. Permita que la superficie de la unidad se seque por completo antes de usarla.

Mensajes

0 0:00

Se insertó un disco CD-R/CD-RW en blanco en la bandeja.

bUSY

La unidad está leyendo el disco. Espere unos segundos.

CLOSE

Cierra la bandeja de disco.

ErASE **

Borra la última pista del disco CD-RW.

ErASE ALL

Borra todas las pistas del disco CD-RW.

FINAL

Finaliza el disco.

-**db

Nivel de incremento.

no dISC

Se insertó un disco no legible.

OPEn

Abre la bandeja.

-- --:--:--

La unidad está leyendo el disco.

p.**

Número del programa.

UnFINAL

Desfinaliza el disco CD-RW.

Mensajes de Error

dISCFULL, OPC FULL

No hay espacio en el disco o no hay más pistas disponibles.

d dISC

Los discos destinados para sistemas de computadoras no pueden ser utilizados para grabación. Utilice discos que poseen la marca "DIGITAL AUDIO".

P FULL

32 pistas han sido programadas. No se puede programar más pistas.

Err **

Ocurrió un error en el mecanismo interno de la unidad. Presione el interruptor POWER (ALIMENTACIÓN) para apagar la unidad, espere un minuto, y vuelva a encenderla.

Err 03

Hay algún error en el disco. Apague la unidad una vez y vuelva a encenderla, y cambie el disco.

(** es variable.)

Especificaciones

Sección del Amplificador

Salida de potencia	3,5 W +3,5 W
Respuesta en frecuencia	50 Hz a 20 kHz
Sensibilidad/Impedancia de entrada de audio	AUX: -6 dBV (0,5 V) 20 kΩ
Nivel máximo de entrada	AUX: +6 dBV (2,0 V)

Sección del Grabador de CD

Tipo de media	CD-RW y CD-R de audio digital (para grabación y reproducción) CD (sólo reproducción)
Frecuencia de muestreo de grabación	44,1 kHz
Respuesta en frecuencia	20 Hz a 20 kHz (reproducción: ±2 dB, grabación: ±3 dB)
Relación señal/ruido	más de 80 dB (reproducción) más de 75 dB (grabación)
Distorsión armónica total	menos de 0,1% (reproducción) Menos de 0,12% (grabación)

Sección del Sintonizador

Intervalo de frecuencias (FM)	87,5 MHz a 108,0 MHz
Intervalo de frecuencias (AM)	530 kHz a 1.720 kHz

Sección del Reproductor de Discos

Motor	servomotor CD
Sistema de impulso	Impulso de banda
Velocidad	33-1/3 rpm, 45 rpm, 78 rpm
Gimoteo y centelleo	menos de 0,25% (WDT)
Tipo de cartucho	Cartucho estéreo de cerámica
Aguja	STL-103
Nivel de salida	160 - 360 mV

Sección del Sistema de Altavoces

Unidad	70 mm
Impedancia	4 ohmios

Generalidades

Requerimientos de alimentación	120V, 60 Hz
Consumo	25 W

Dimensiones (anch. x alt. x prof.)	470 x 230 x 390 mm
Peso	10 kg

Accesorios estándares

Adaptador RPM	45 x 1
Unidad de control remoto (RC-1157)	x 1
Pila (AA, R6, SUM-3)	x 2
Antena de cuadro de AM	x 1
Cable estéreo toma de RCA	x 1
Manual del usuario	x 1
Tarjeta de garantía	x 1

- El diseño y las especificaciones están sujetos a cambio sin previo aviso.
- El peso y las dimensiones son aproximados.
- Las ilustraciones pueden diferir ligeramente de los modelos producidos.

TEAC

TEAC CORPORATION	3-7-3, Nakacho, Musashino-shi, Tokyo 180-8550, Japan Phone: (0422) 52-5081
TEAC AMERICA, INC.	7733 Telegraph Road, Montebello, California 90640 Phone: (323) 726-0303
TEAC CANADA LTD.	5939 Wallace Street, Mississauga, Ontario L4Z 1Z8, Canada Phone: (905) 890-8008
TEAC MEXICO, S.A. De C.V	Campesinos N°184, Colonia Granjas Esmeralda, Delegacion Iztapalapa, CP 09810, México DF Phone: (525) 581-5500
TEAC UK LIMITED	Unit 19 & 20, The Courtyards, Hatters Lane, Watford, Hertfordshire, WD18 8TE, U.K. Phone: (0845) 130-2511
TEAC EUROPE GmbH	Bahnstrasse 12, 65205 Wiesbaden-Erbenheim, Germany Phone: 0611-71580

This appliance has a serial number located on the rear panel. Please record the model number and serial number and retain them for your records.

Model number _____ Serial number _____