

Operation Manual

UVC - Pond Clarifier UV Light

CUV-111	ARTIKEL 50111	CUV-136	Artikel 50178
CUV-118	ARTIKEL 50112	CUV-318	Artikel 50179
CUV-136	ARTIKEL 50178	CUV-324	Artikel 50184
CUV-155	ARTIKEL 50100	CUV-336	Artikel 50185
CUV-172	ARTIKEL 50103	CUV-618	Artikel 50186
CUV-209	ARTIKEL 50111	CUV-624	Artikel 50187
CUV-218	ARTIKEL 50113	CUV-636	Artikel 50188
CUV-224	ARTIKEL 50101	CUV-655	Artikel 50189
CUV-236	ARTIKEL 50102	CUV-672	Artikel 50191
CUV-272	ARTIKEL 50104	CUV-6110	Artikel 50198



Read and follow the operating instructions and safety information before using for the first time.

Technical changes reserved!

Due to further developments, illustrations, functioning steps and technical data can differ insignificantly.

Updating the documentation

If you have suggestions for improvement or have found any irregularities please contact us.

The information contained in this document is subject to change without prior notice. No part of this document can be copied or duplicated in another form without the prior written consent of Wiltec Wildanger Technik GmbH. The Wiltec Wildanger Technik GmbH assumes no liability for any errors in this user manual or the connection diagram.

Although Wiltec Wildanger Technik GmbH has made every effort to make sure that this user manual is complete, accurate and updated, errors cannot always be avoided. In the event of problems with this user manual please complete and send this form back to us.

FAX-notification (+++49 2403 55592-15),

from: _____

Name: _____

Firm: _____

Tel/Fax: _____

I would like to report the following mistakes:

Customer Service Wiltec Wildanger Technik GmbH
e-mail: service@wiltec.info
Tel:++ +49 2403 55592-0

Introduction

Thank you for purchasing this quality product. To minimize the risk of injury by means of fire or electric shock we urge that our clients take some basic safety precautions when using this device. Please read the operation instructions carefully and make sure you have understood its content.

Always use a grounded power connection with the appropriate mains voltage. You can find the corresponding mains voltage on the type plate. If you have any doubts about the connection being grounded, have it checked by a qualified professional. Never use a faulty electric cable.

Do not inspect the electrical part of the pressure pond filter in a wet or damp environment or when you are wet yourself and protect it from direct sunlight. Install this device in a safe location so that nobody can step on the cable, fall over or damage it. Make sure additionally you provide sufficient cooling through the ambient air and avoid heat accumulation. Disconnect the power plug before cleaning it and use only a damp cloth for cleaning.

The electric part of the device contains no parts that can be inspected or serviced by the user. Leave the maintenance, adjustment and repair to qualified technical personnel. In case of unauthorised intervention the 2-year warranty is no longer valid! Keep these operation instructions safe.

Safety guideline



BEWARE:

The use of this device is allowed on standing bodies of water, garden ponds' water or swimming ponds and their surrounding areas only with fault current protection-switch with a triggering nominal current up to 30mA (according to VDE 0100 Article 702 and 738).

The device is not suitable for use in swimming pools, paddling pools and other bodies of water in which during operation people. The operation of the device during the stay of people in the danger zone is not allowed. Ask your electrician.

The device is not intended for use by persons (including children) with impaired or limited physical, sensory and mental abilities or lack of experience and/or real knowledge, unless they are supervised by a person responsible for their safety or you follow the instructions made by this person how to use the device correctly.

Children should be supervised to make sure that they do not play with the device.



ATTENTION:

- Run a visual inspection of the device before every use. Do not use the device if the safety appliances are damaged or worn out. Never override safety regulations.
- Use the device exclusively according to the intended purpose stated in the instructions for use.
- You are responsible for the safety of the working environment.
- If the cable or the plug is damaged due to external influences the cable must not be repaired! It has to be replaced with a new one. This work can be carried out only by an electrician.
- The voltage indicated on the type plate of the device of 230 Volt alternating voltage has to correspond to the existent mains voltage.
- Never lift, carry or fixate the device by using the power cable.
- Make sure that the electrical plug connection is placed in a flood-proof area and is protected from moisture.
- Before working on the pond pump disconnect the appliance by taking the plug out of the socket.
- Avoid exposing the appliance to a direct water jet or rain.
- The user is responsible for the compliance with location specific safety and installing regulations. (Ask an electrician).
- Consequential damage arising from flooded rooms caused by dysfunctions of the appliance must be avoided by means of the appropriate measures. (installing an alarm system, reserve pump).
- In case of malfunction the repair work can be carried out only by a qualified electrician or the WilTec-service.
- The appliance must not run dry or with a completely closed intake port.
- The appliance must not be used for swimming pools.
- The device cannot be employed for potable water circuits.

- I. The UVC filter should be placed somewhere that the water will not submerge it, and it should be 2 meters distance from the edge of the pond to the filter. This equipment cannot be used under the water.
2. Before the water circulation, the electrical source of the UVC filter cannot be switched on.
3. Please place the UVC in the steady and safe spot, because the UV light tube is made of quartz glass which is easy to be broken.
4. Before all parts are installed completely, the electrical source cannot switch on.
5. If the UV light tube or the body shell looks like broken, the equipment cannot be used.
6. When any person is in the water, the UVC cannot be used.
7. Please make sure that the electrical voltage, frequency used are consistent with the indication on the UVC station.
8. When installing the equipment, the installation regulation of domestic should be followed.
9. Pulling the connecting cable is forbidden. And please protect the connecting cable from heat, greasiness or sharpness.
- I. Make sure the max pressure of the body shell ensured is less than 1.0 bar.
- II. When you know the frost is coming, please move away UV filter.
12. When you install the UV filter, please do not let it be under the sunlight directly.
13. The dirtiness on the quartz tube will influence the effect of the equipment, please clean the quartz tube in time.
14. In order to ensure the effect of the equipment, the UV light tube should be replaced after 8000 hours' usage.
15. When the body shell is blocked with the sand or rubbish, it may destroy the quartz tube. So please add the filter sponge in the inlet of the water pump.
16. UVC is harmful to the eyes and skin. Please do not watch UVC directly or let the skin approach to UVC.
17. When you install or repair this equipment, the electrical source of the aquarium must be switched off.
18. The product must be installed horizontally and with the feet down. Other installation positions are prohibited for safety reasons.
19. The UVC lamp installed in the unit is intended to kill algae and bacteria in the pond water. Even in small doses, its radiation is harmful for eyes and skin.
20. Never use the UVC lamp in a defective housing or outside the housing, or for any other purpose other than that intended. The following restrictions apply to the unit:
 - Never use the unit to convey fluids other than water.
 - Never use the unit without water.
 - Do not use for commercial or industrial purposes.

INSTRUCTION

1. This equipment can kill the harmful germs and algae in the aquarium and the pond which offer the health environment to the fishes.
2. When the water is under the irradiation of wavelength in 253.7 nm's ultraviolet radiation in a short period, the germ and pathogen in the water will be killed then.
3. This equipment is not sold with the pump, please buy it yourself.
4. Please connect the inlet pipe with the outlet of the water pump.
5. Please connect the outlet pipe with the other filter or the pond and fix it. After the inspection of the pipe and connecting part, the water circulation can be started then.
6. Please check it when the water started circulation or not after several minutes.
7. Turning on electrical source, the UV filter begins to work.
8. The detailed sketch map of usage can be found in the packing box.

Installation and connection



Installation location

— This device can only be worked under the protection of the cover. It should be placed in somewhere that water will not submerge it, and it should be installed 2 meters away from water.

Connection

- We would suggest choosing a hose that can have pressure of 0 bar.
- Cut off the multistage hose tail according to the diameter of the hose.
- Connect the multistage hose tail to the inlet or outlet, and fix with hose clip.
- Put O—ring into the screw and connect to the device.

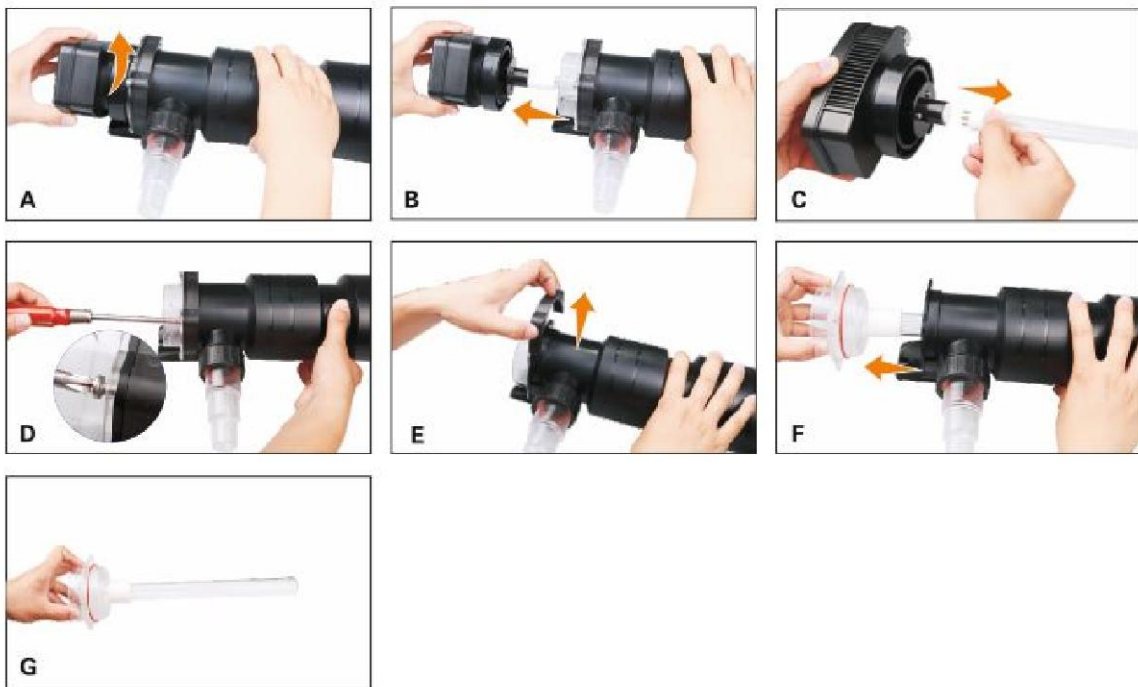
— You can change the two inlet checking windows to water supply hose if necessary.

Important: Connect the water pumps first, and then connect the UV device. Do not run the device without water.

This device will be automatically turned on after the power cord is connected to the power supply.

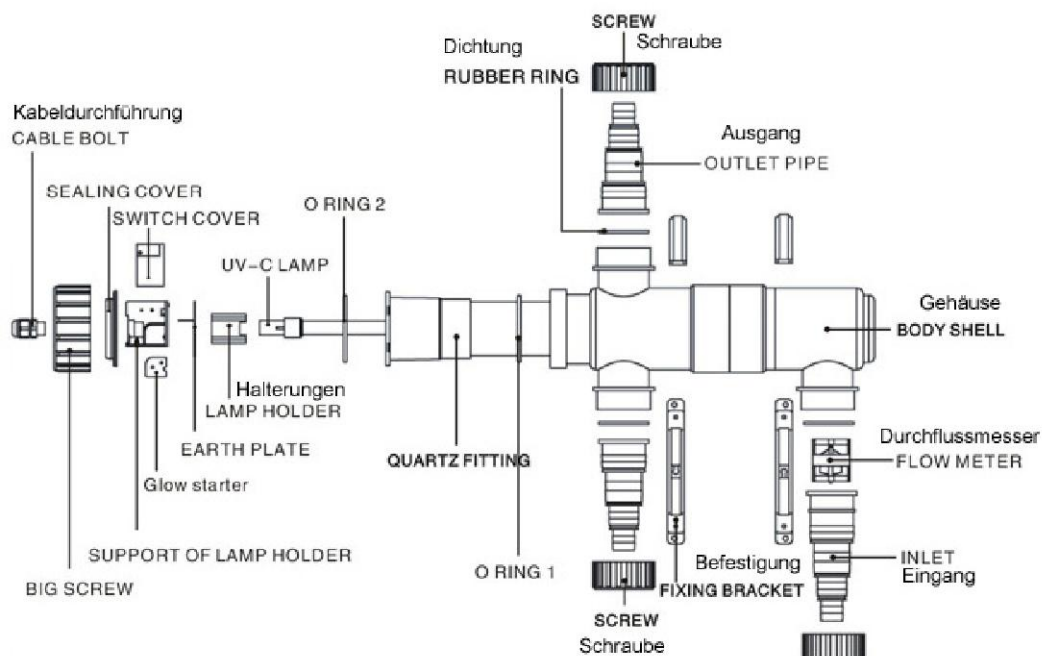
— The device is working if the blue light is turned on.



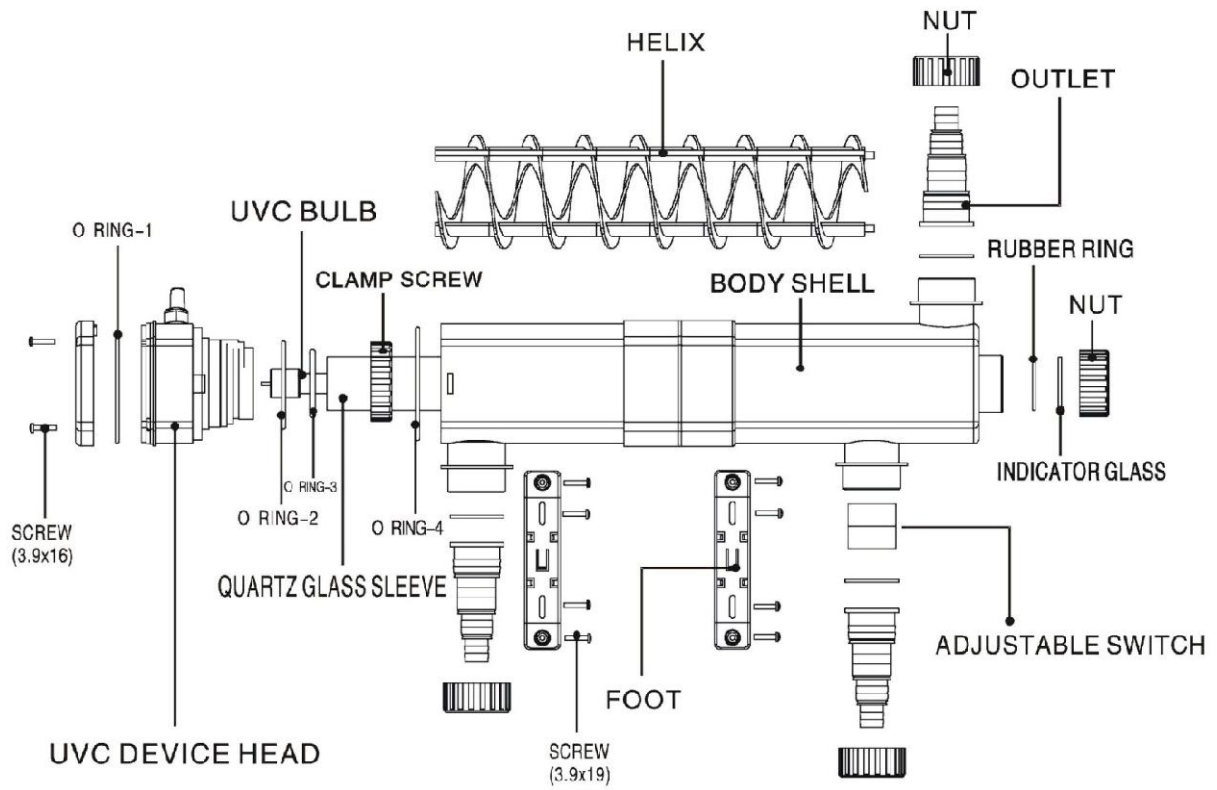


-
- 1: The light tube should be replaced after 8,000 hours use.
- Turn the head according to the direction of arrow .
- Take out the head according to the direction of arrow .
- Take out the UV lamp according to the direction of arrow and replace it. Only for the UV lamp that have the same name, brand and power .Both inside and outside of the casing should be cleaned .
- Loose the four screws by screwdriver.
- Take out the brackets according to the direction of arrow.
- Take out the quartz glass tube according to the direction of arrow.
- Check the quartz glass tube and clean it with clean and wet cloth. (Please use vinegar to clean the quartz glass tube if there is much incrustation)

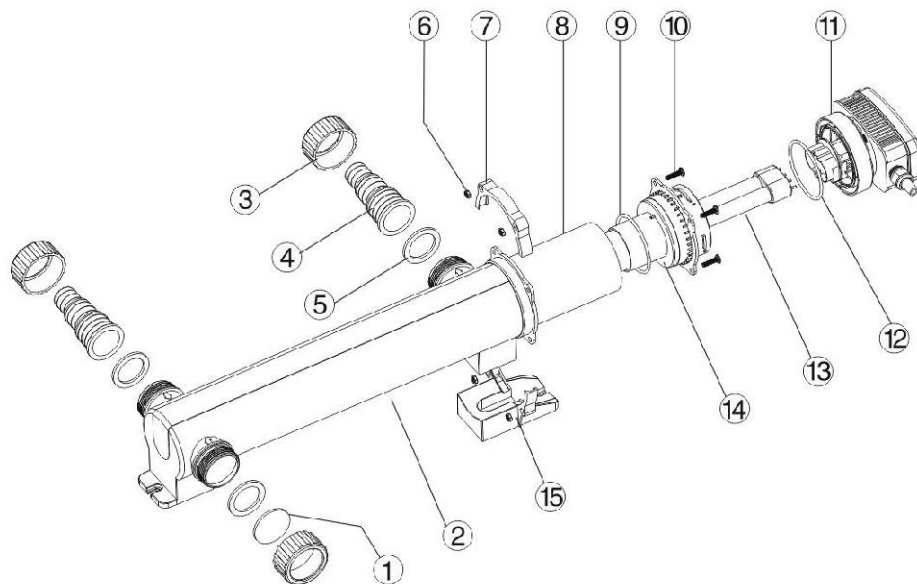
CUV-1er Serie



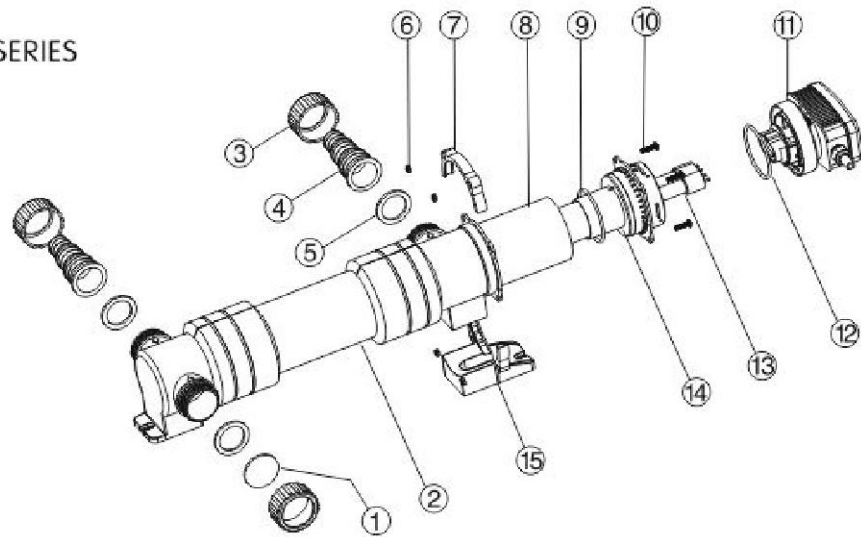
CUV-2er Serie



CUV-3 Serie



CUV-6 SERIES



1	Indicator glass	2	Body shell	3	Nut 1½"
4	Outlet	5	Gasket	6	Nut
7	Upper bracket	8	Stainless steel hose	9	O ring 1
10	Screw 1	11	Uvc device head	12	O ring 2
13	UV lamp	14	Quartz glass part	15	Base

Disposal regulations

EU guidelines regarding the disposal of scrap electric appliances (WEEE, 2002/96/EC) were implemented in the law related to electrical and electronic equipment and appliances.

All Wiltec electric devices that fall under the WEEE regulations are labelled with the crossed-out wheeled waste bin logo. This logo indicates that this electric equipment must not be disposed with the domestic waste.

The company Wiltec Technik GmbH has been registered in the German registry EAR under the WEEE-registration number DE45283704.

Disposal of used electrical and electronic appliances (intended for use in the countries of the European Union and other European countries with a separate collection system for these appliances).

The logo on the article or on its packaging points out that this article must not be treated as normal household waste but must be disposed to a recycling collection point for electronic and electrical waste equipment. By contributing to the correct disposal of this article you protect the environment and the health of your fellow men. Environment and health are threatened by inappropriate disposal.



Materials' recycling helps reduce the consumption of raw materials.

Additional information on recycling this article can be provided by your local community, municipal waste disposal facilities or the store where you purchased the article.

Address:
WilTec Wildanger Technik GmbH
Königsbenden 12 / 28
D-52249 Eschweiler

Important notice:

The reprint or reproduction, even of excerpts, and any commercial use, even in part of this instructions manual require the written permission of Wiltec Wildanger Technik GmbH.