

SDI 1080P Shuttle & License Plate Camera

Serial Digital Interface

CHLP120IR-SDI



- 1/2.8" COLOR SDI High Definition
- 1080P Full HD, 0 Lux, ICR, IR cut Filter.
- Slow Shutter (Sense Speed 32X)
- 224 High Power Intensity LED, 300 Feet.
- 10-120mm Auto Iris 2.0 Megapixels IR Lens
- Dual CDS, front CDS is High Resolution camera, back CDS is License Plate Camera
- 10 dipswitch control, Bracket included
- Dual Power DC12V 4A /AC24V 60VA



Warning

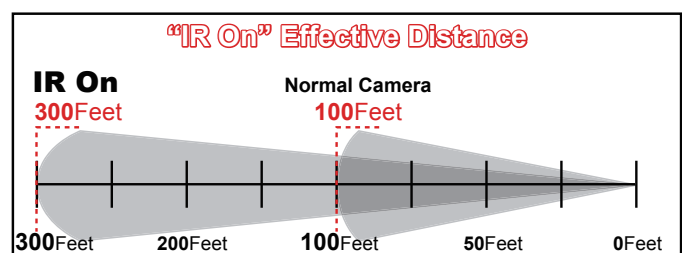
ON	SDI High Definition Camera	The DIP Switch
OFF	License Plate Camera	NO.10

↓

ON	1	2	3	4	5	6	7	8	9	10
OFF										

MENU — LENS — AUTO
— EXP — AIS — SHUTTER

Shutter speed select			
License Plate			
0	OFF	20 Miles	30 KM
1	A.FLK	40 Miles	60 KM
2	1/160 sec.	50 Miles	80 KM
3	1/250 sec.	65 Miles	100 KM
4	1/500 sec.	80 Miles	130 KM
5	1/700 sec.	90 Miles	160 KM
6	1/1000 sec.	110 Miles	180 KM
7	1/1600 sec.	120 Miles	200 KM
8	1/2500 sec.	140 Miles	230 KM



RS485 Housing Control
(Box camera)
User' s Manual



Notice

To reduce the risk of electric shock, please do not disassemble by yourself, it should be repaired by a qualified technician.



The lightning arrow symbol reminds users that there is dangerous voltage nearby, enough for a body to produce an electric shock and cause bodily harm.



The caution symbol, reminds users to pay close attention to the relevant instructions during the operation and maintenance of the product.

Please fill in the product model and manufacturing number. This information will assist you in the future should you need to refer to it for service or repair.

Model:

Number:

Important Safety Precautions

- 1、 Before installation, please read the manual, and keep this guide for future reference.
- 2、 Please comply with all warnings on the device and follow the instructions carefully.
- 3、 Please wipe or clean the device before connecting the device to power, and please do not use liquid/spray cleaning agents.
- 4、 Please use our recommended factory parts when in need of repair, otherwise, failure may occur.
- 5、 The device should use the recommended power and voltage from the manual. If the power and voltage of the installation site is unclear, please contact us for further assistance.
- 6、 Protect the power cord, especially along the plug and camera data lines. Do not submerge in water or any liquids.
- 7、 To prevent lightning surge damage, please install surge protectors.
- 8、 To prevent fire and electric shock, please do not over-extend the data lines or allow foreign substances into the machine which may cause dangerous corrosion.
- 9、 Do not install in areas that have unstable brackets, walls, roofs, etc. Otherwise, it may result in bodily harm.
- 10、 Please contact your dealer should you have the following

issues:

10.1 Wrong power supply or voltage.

10.2 Damaged housing unit.

10.3 Abnormal behavior with device performance.

10.4 After consulting the user manual and it still does not operate.

11、 When part replacement is needed, please contact your dealer so we can provide approved parts to maintain the same performance.

I Summary	6
II Features	6
III Product Size Chart	8
IV Socket Function	9
1. Camera control board layout	9
2. Power board socket diagram	10
V Connecting different camera models	12
1、 Color box camera with DC12V	12
2、 Color box camera with AC24V	12
VI Auxiliary Preset Function	13

I. Summary

The integrated shell uses an all-metal construction, the compatible color camera is protected and is for outdoor and indoor equipped with light compensation at night. The unit has a waterproof grade of IP66, uses EIA/RS-485 connections for remote control, has internal and external infrared compensation light for both near and far distances. The unit also is set automatically to have infrared light at night.

II. Features

- 1、AC24V or DC12V compatible
2. When using DC12V, use FPC flexible connect lines;
- 3、When connecting integrated devices, a wire control function is available for convenience.
- 4、The unit is set at default with a range address of:0-255, baud rate is 2400, Pelco-D protocol;
- 5、Dual power supply input, input voltage $DC12V \pm 10\%$ / $AC24V \pm 10\%$;
- 6、Photo Sensor can be adjusted on four levels, front or back settings may be chosen;
- 7、Double-sided infrared is 15° distance more than 120M/394ft, power is 15W, internal infrared is 45° ,5W, both near and far

infrared radiation;

8、 All-metal construction is strong and durable, with IP66 Grade.

9、 Unit can use RS485 control, 120 Ω Resistor;

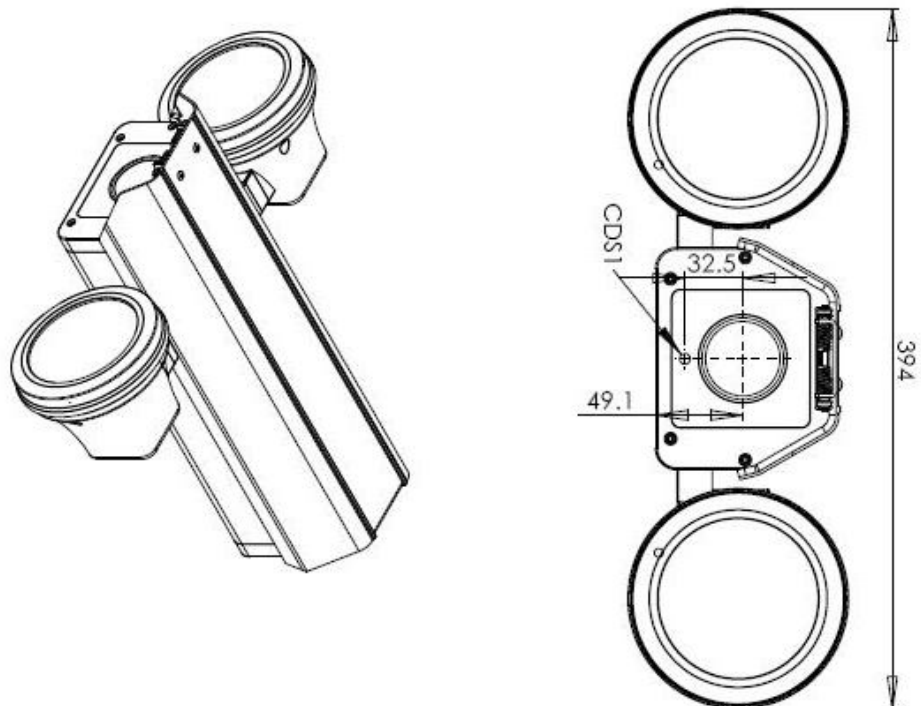
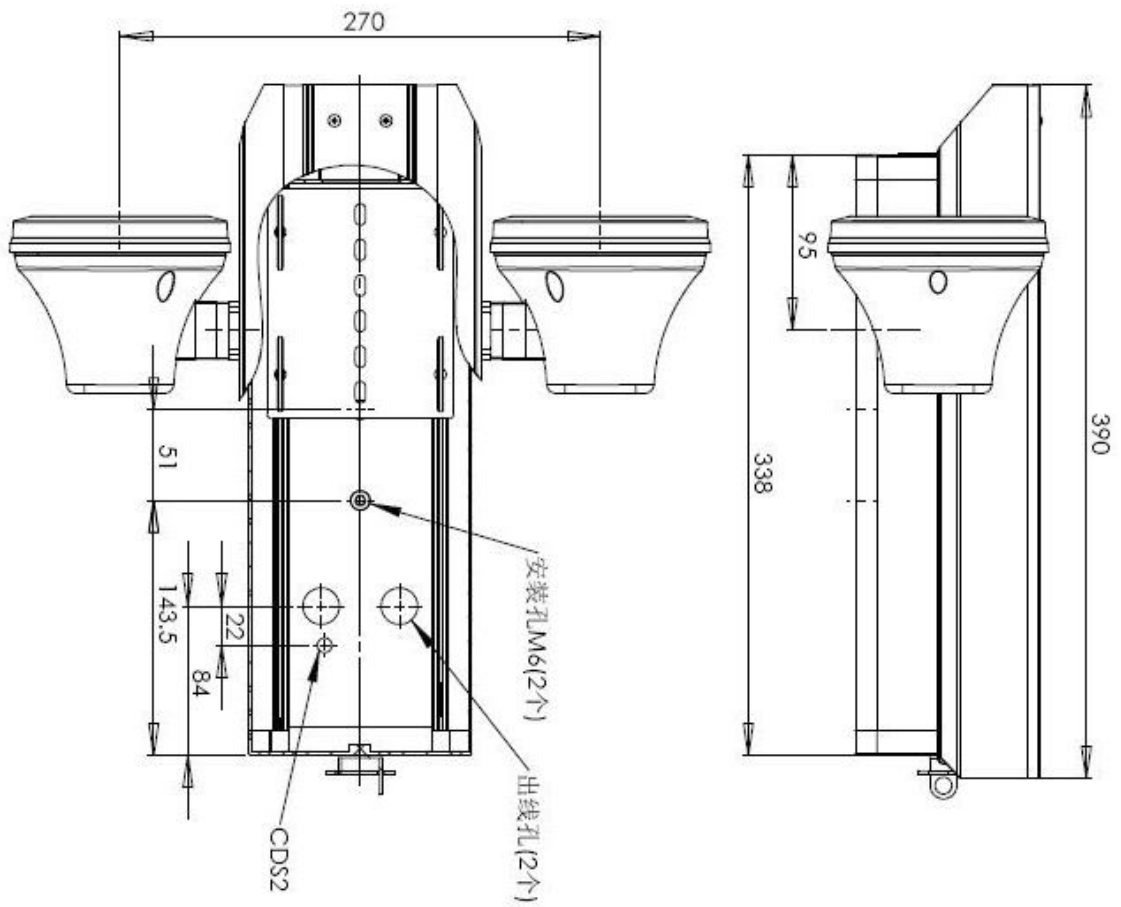
10、 IR Lights are optically triggered by camera

11、 Preset positions up to 32;

12、 Has automatic on/off Infrared Control;

13、 Manual Settings to open or close;

III. Product Size Chart



IV. Socket Function

1、 Camera control board layout



1.1 BK1: DIP switch

1.1.1 1—8 address code, binary representation, ON is 1, OFF is 0, from 8 to 1 reading:

If 1 is set ON, all other set off, is 00000001, that is decimal 1.

If 2 is set ON, all other set off, is 00000010, that is decimal 2.

And so on, the largest that is decimal 11111111, that is decimal 255.

1.1.2 The 9th is RS485 120 Ω resistance select switch,

1.1.3 The 10th is Photo Sensor switch,
set ON for the Photo Sensor in the Front, set OFF for the Photo Sensor in the Back

1.1 S1:Photo Sensor sensitivity has four Settings:
(00):1lux, (01):2lux, (02):4lux, (03):10lux

1.2 S3: D/N signal voltage output select, low level, 3.3V option

1.3 J1: DC12V output, suitable DV12V box camera power supply.

1.4 J2: System program interface

1.5 J3: Photo Sensor input interface

1.6 J4: Box camera menu control output

D:down;U: up;E: MENU/confirm;R: right;L: left

1.7 J5: Output signal day and night, for day and night camera with external input control interface. this interface is available when infrared light and the camera's synchronizes.

CTL:According to the choice of S2 to output high level, low level

1.8 J6: DC12V power supply input, The interface board access DC12v voltage from the power supply as the control panel input voltage.

(connect power supply J3)

1.9 J9: Board connector socket, make video signal and relay control signal output to the power board(connect power board J8).

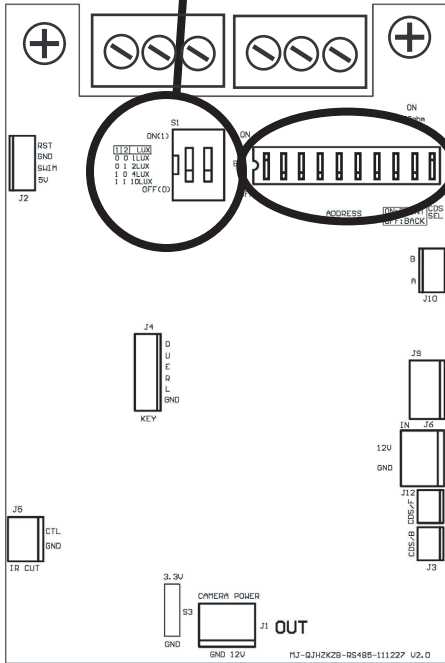
1.10 J10: Board connect socket, RS485 control signal(connect power board J7).

1.11 J12 : Front Photo sensor Signal input interface

LUX Adjustment Dipswitches for Both front and back CDS

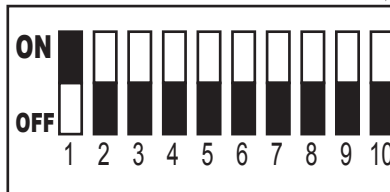


OFF-OFF 1LUX
 OFF-ON 2LUX
 ON -OFF 3LUX
 ON -ON 4LUX



Camera ID Dipswitches and CDS selection (Front or Back)

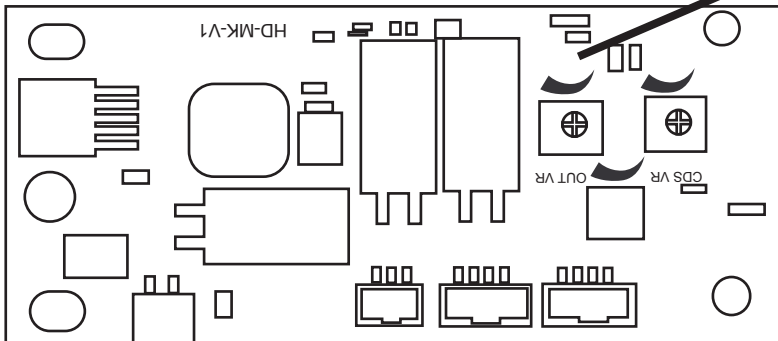
ON	SDI High Definition Camera	The DIP Switch NO.10
OFF	License Plate Camera	



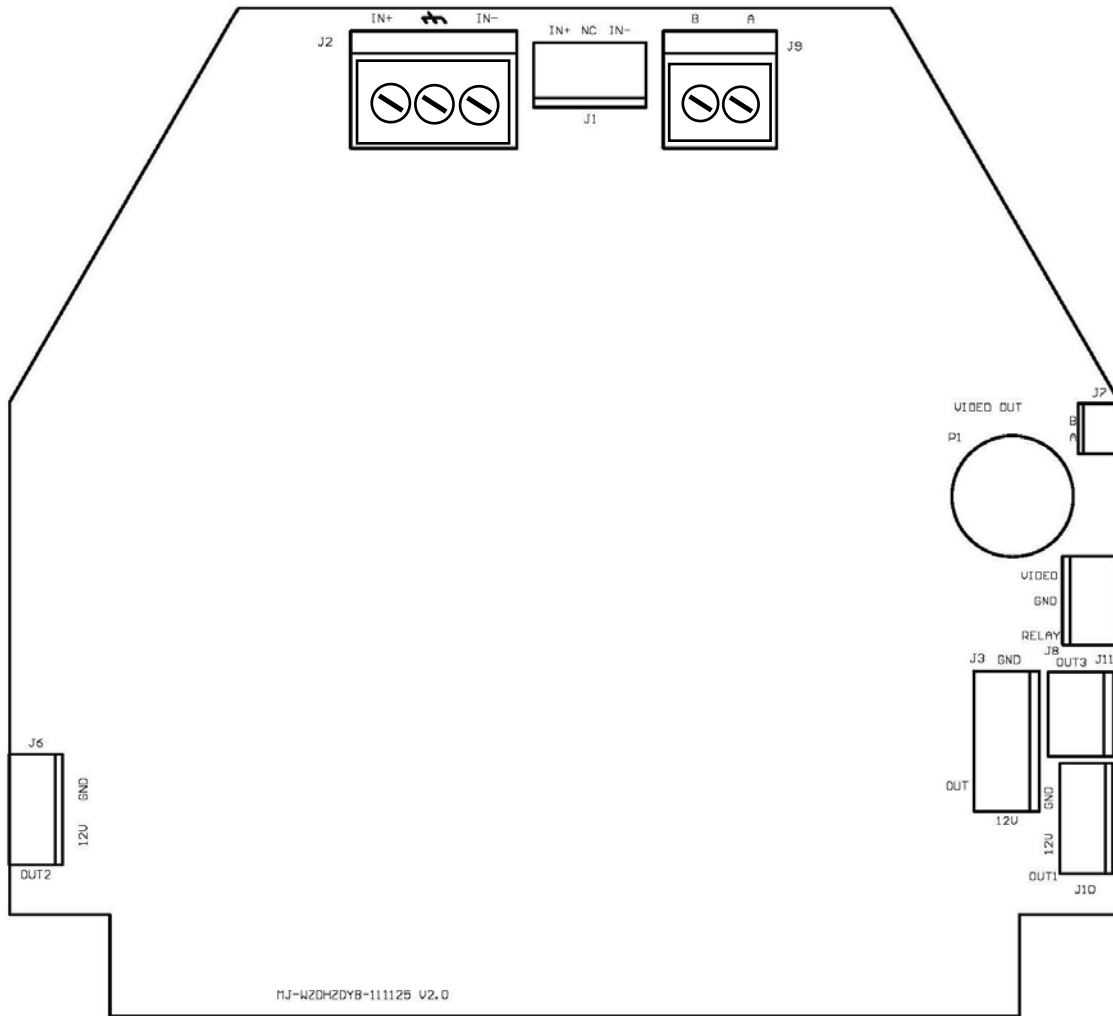
MENU → LENS → AUTO
 → EXP → AIS → SHUTTER

Shutter speed select			
License Plate			
0	OFF	20 Miles	30 KM
1	A.FLK	40 Miles	60 KM
2	1/160sec.	50 Miles	80 KM
3	1/250sec.	65 Miles	100 KM
4	1/500sec.	80 Miles	130 KM
5	1/700sec.	90 Miles	160 KM
6	1/1000sec.	110 Miles	180 KM
7	1/1600sec.	120 Miles	200 KM
8	1/2500sec.	140 Miles	230 KM

IR light adjustment dial



2、 Power Board Socket Diagram



2.1 P1: BNC Video Output Signal

2.2 J1, J2: AC24V/DC12V power input

2.3 J3: Board connected socket, DC12V output. (connect with Board J6)

2.4 J7:

Board connected socket, RS485 control signal. (connect with Board J10)

2.5 J8: Board connected socket, Video Signal and Relay control signal input. (connect with Board J9)

2.6 J9: RS485 control signal input.

2.7 J6, J10: both sides of the external infrared lamp supply power socket

V. Connecting different camera models

1、 DC12V Color Zoom Camera

Connect the J1 control panel output voltage mouth DC12V power to the input part of the camera, video signal output by the camera BNC directly.

2、 AC24V Color Zoom Camera

The power of zoom camera input directly by the external AC24V power input, video signal output by camera BNC directly .

VI. Auxiliary Preset Function

Press button open" of keyboard to open camera menu or enter the sub menu, Rocker lever up and down the menu, joystick left and right selection options

Preset	Faction	Setting	Transfer
51	IR electric mode	/	on
52	IR auto mode	/	on
53	Infrared Lamp on	/	on
54	Infrared Lamp off	/	on

Main	Submenu			Default	
Exposure	Brightness	0~20		8	
	Sharpness	0~20		5	
	Color Gain			10	
	Gamma	0~4		0.55	
	AGC	0~10		11	
	Lens				
	Shutter (Auto/Manual)	Manual -Level	1/30(25), 1/60(50), 1/120(100), 1/240, 1/500, 1/1K, 1/2K, 1/4K, 1/8K, 1/16K, 1/30K, 1/60K.		1/1k
	DSS	OFF, X2, X3, X4, X5, X6, X7, X8			OFF
Return					
AWB	Auto			Auto	
	Auto Ext				
	Preset	Pushing			
	Manual	Kelvin	Low/ Middle / High		
		R-Gain	0~20		
	B-Gain	0~20			
	Return				
WDR/BLC	WDR	Weight	Low/ Middle / High	OFF	
		Return			
	HLC	Level			
		Return			
	BLC	H-POS	0~20		
		V-POS	0~20		
		H-Size	0~20		
	V-Size	0~20			
	Return				
3D-DNR	High / Middle / Low / Off			OFF	
Image	Day & Night	Mode	Extern / Auto / Color / D&N	Extern	
		IR LED	NO / YES	NO	
		Smart IR	LED Power (Full / Dimming)	FULL	
			Anti-Sat (0~9)	4	
		Extern S/W	Low/High	LOW	
		AGC Threshold	0~20	8	
		AGC Margin	0~20	8	
	Delay	Middle / Low / High	Middle		
	Mirror		OFF		
	Flip	OFF / H FLIP / V FLIP / HV FLIP	OFF		
	D-Zoom	1X / 2X / 4X / 6X / 8X / 10X / 12X / 14X / 16X / 18X / 20X		1X	
	D-WDR	OFF		OFF	
	Shading	ON/OFF		OFF	
	Privacy	ON/OFF		OFF	
Motion	OFF		OFF		
Return	ON/OFF				
System	Protocol	ON/OFF	Address: 0~255	1	
			Baudrate:9600/1200/2400/4800	9600	
			Protocol:Pelco-D / Pelco-P	PELCO-P	
	Image Range	Full / Comp		FULL	
	Output	720P / 1080P		1080P	
	Color Space	HD CbCr , SD CbCr, YUV		HDCbCr	
	Frame Rate	30/25FPS		30FPS	
	CVBS	NTSC /PAL		NTSC	
Reset	ON				
Return					

