



CUP WARMER

Modelnr.: *537.300



USER'S MANUAL

Please read these instructions carefully before using and operating this appliance.

WARNING:

Wrong installation or adjustment of the machine can be dangerous. Please contact professionals to repair it.
Please do not put any flammable and explosive items inside the machine.
Please supervise children and make sure they will not touch the machine.
If the machine is used by a third party, please provide the manual to them as well.
If the machine is placed near a wall or a board, these must be made of nonflammable materials.
Please keep away from fire.

1. NOTICE

1.1. Storage and carriage

Please be careful in the transportation. The product should be kept in the warehouse without corrosive gases. When it is temporarily left open air, please use rain protection.

1.2. Installation

- 1) The cup warmer should be placed in a steady and fixed position, away from direct sunshine and rain.
- 2) The power voltage of the plug used for this machine must match the power voltage as marked on the product. The range of voltage tolerance is +/- 10%.
- 3) A suitable circuit breaker should be installed near the machine. Please keep the power switch area clean.
- 4) The machine should be plugged to a three-phase plug, according to safety standards.
- 5) Do not put inflammable and explosive substances or items close to the machine. The environment temperature should be less than 45°, and the relative humidity should be less than 85%.
- 6) The machine should be installed by professionals.

1.3. Special notice

- 1) This machine is not suitable for family use. It should be processed by professional chefs.
- 2) Do not shake the machine when it is working.
- 3) Do not disassembly or modify the machine.
- 4) Do not open the casing of the machine.
- 5) Please turn off the switch and unplug the machine before cleaning.
- 6) Please don't spray water on the machine when cleaning.
- 7) Do not put heavy items on the machine nor hit it.
- 8) Do not touch the casing of the machine when it is working. Be careful of the high temperature.
- 9) Unplug the switch when the weather is thunderous.
- 10) Do not use any hard or sharp material that could damage the control board.
- 11) Keep the power off after use.
- 12) Repairing must be performed by professionals.
- 13) If the switch wire is damaged, please contact the producer or ask professional to replace it.

2. HOW TO USE

- 2.1.** The power voltage of the plug used for this machine must match the power voltage as marked on the product.
- 2.2.** Before placing the cups on the layers, please dry them with a cleaning cloth.
- 2.3.** Do not take the cups out from the machine with wet hands.
- 2.4.** Please keep the power off when not using.
- 2.5.** Do not use corrosive water or cleaner to wash the machine.

3. DAILY INSPECT

Inspecting the machine frequently can prevent accidents.

Please stop using the machine if it emits strange sounds or does not work properly.

Please inspect the machine before and after using it.

Is it slope or not?

Are there any damages on the control board?

Are there any aging signs or damages on the wire?

Is there any peculiar smell or vibration sound?

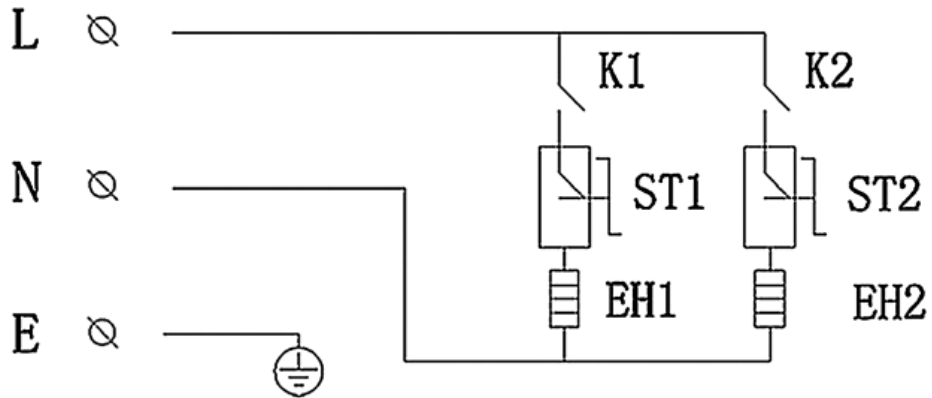
Is there a leakage of electricity or uncontrolled temperature?

Is the power normal?

4. SPECIFICATION

MODEL	NAME	VOLTAGE (V)	POWER (W)	SIZE (MM)
537.300	CUP WARMER	220-240	140	320x320x560

5. ELECTRICAL PRINCIPLE CHART



K1,K2 = Switch
ST1,ST2 = temperature limiter
EH1,EH2 = Elements