



Assembly Guide



R2200 AND R2200HRT
SEMI-RECUMBENT FITNESS CYCLE

Assembly Guide

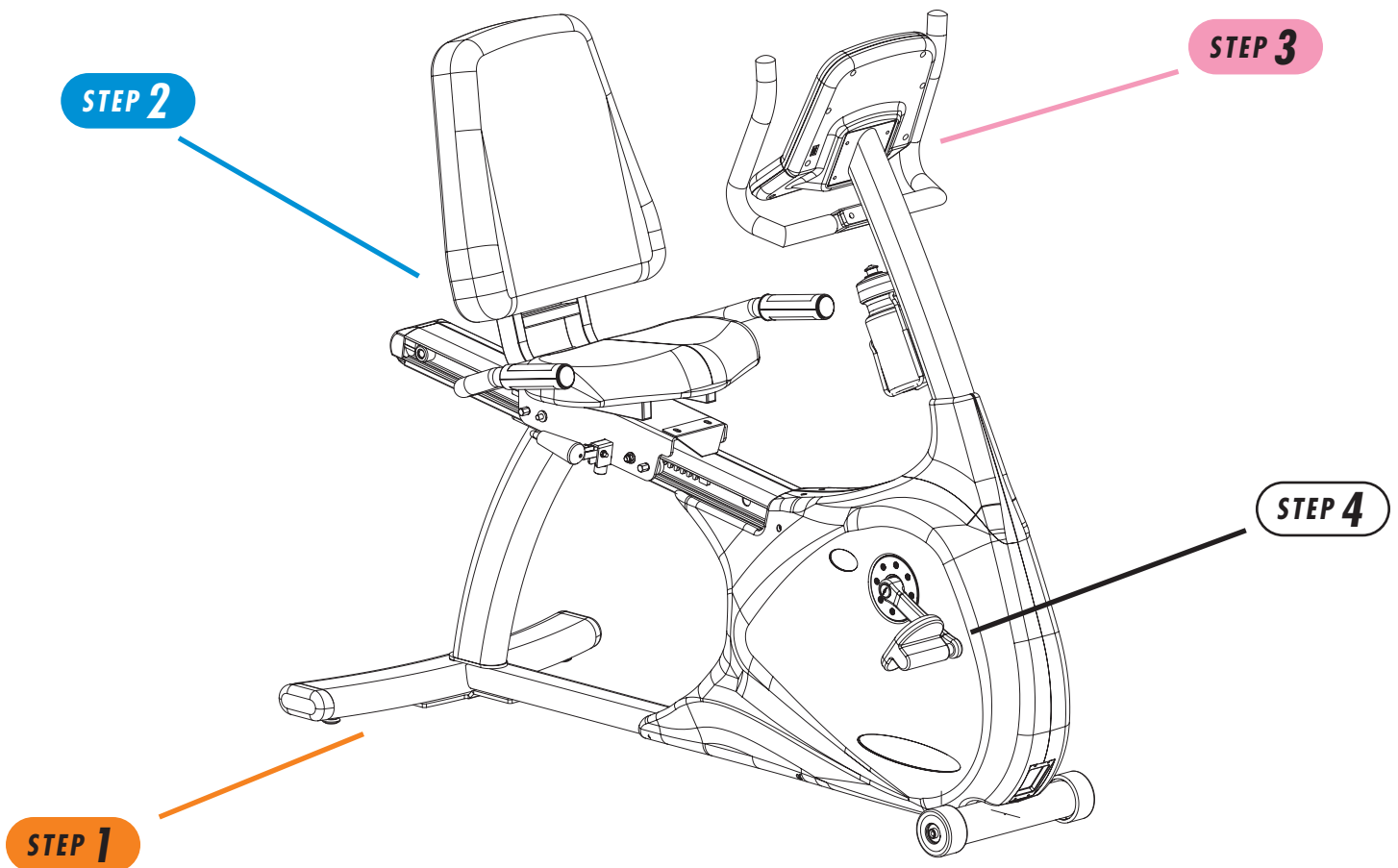
R2200 AND R2200HRT SEMI-RECUMBENT FITNESS CYCLE

To avoid possible damage to this Fitness Cycle, please follow these assembly steps in the correct order. Before proceeding, find your new Fitness Cycle's serial number located on the front axle tube, and enter here:

Refer to this number when calling for service, and enter this serial number on your Warranty Card and in your own records. Be sure to read your Owner's Guide before using your new Fitness Cycle.

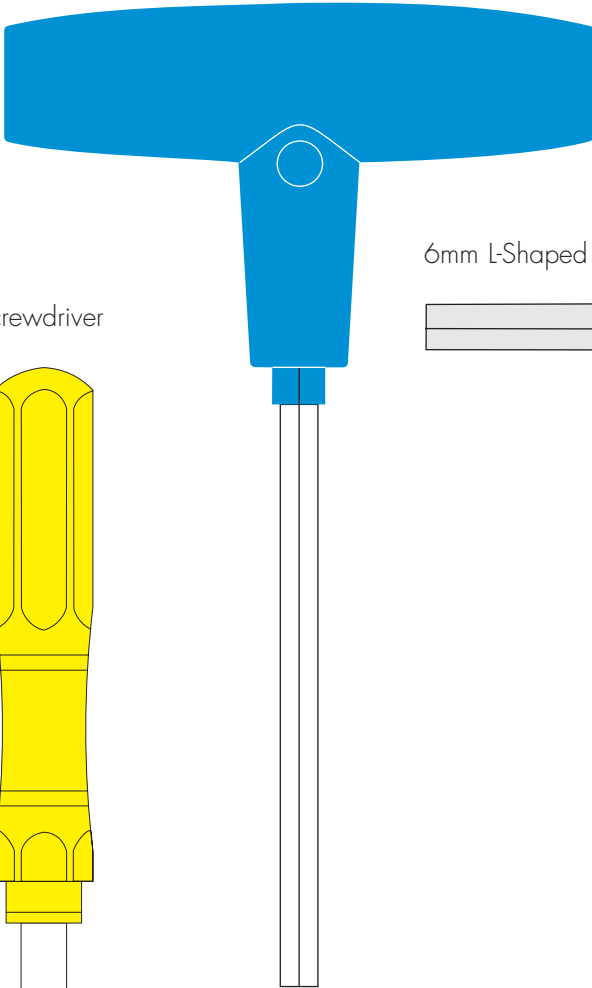
If any parts, hardware or tools are missing, please call 1.800.335.4348, Extension 12

NOTE: It is recommended that you apply grease to the threads of each screw as you assemble your Fitness Cycle to prevent loosening and noise. Also, during each assembly step, ensure that ALL screws are in place and partially threaded in before completely tightening any ONE screw.

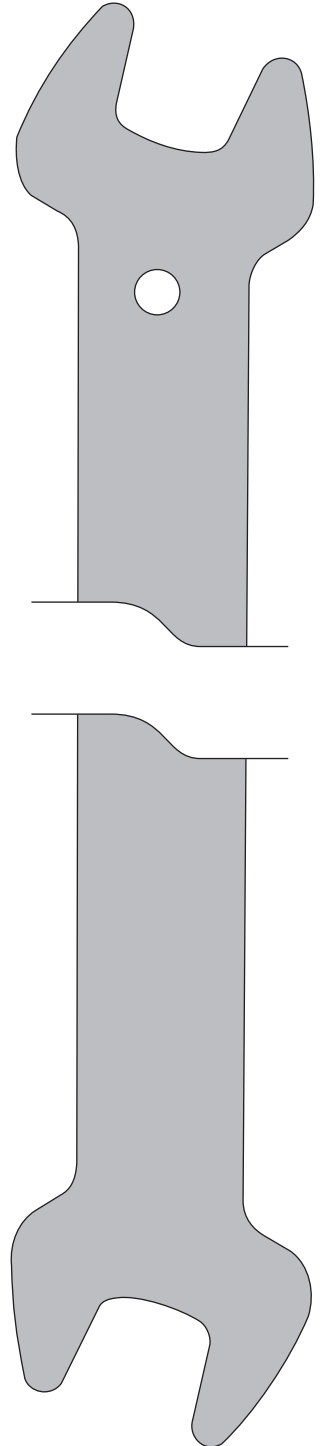


TOOLS & PARTS INCLUDED

5mm Allen Wrench



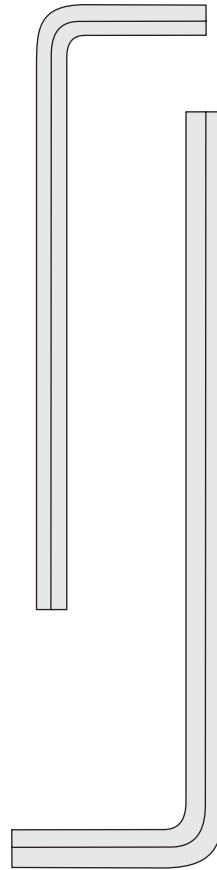
15mm Pedal Wrench



6mm L-Shaped Wrench



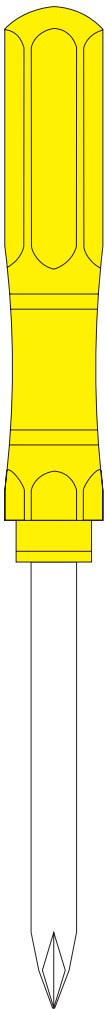
4mm L-Shaped Wrench



5mm L-Shaped Wrench



Screwdriver

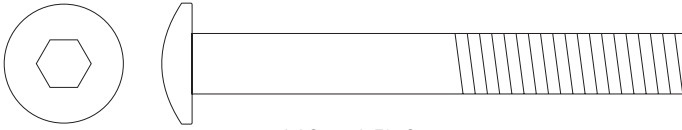


PARTS BOX

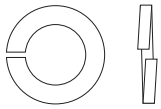
- Console Mast Cover, Qty: 1
- Pedals, Qty: 2
- Power Supply, Qty: 1
- Water Bottle & Cage, Qty: 1
- Heart Rate Chest Strap (*R2200HRT Only*)
- Color-coded Hardware Bags
- Owner's Guide
- Assembly Guide
- Warranty Card

HARDWARE INCLUDED

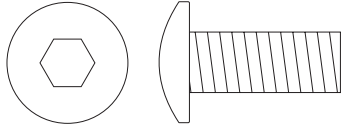
ORANGE BAG



M8 x 65L Screw
Quantity: 2

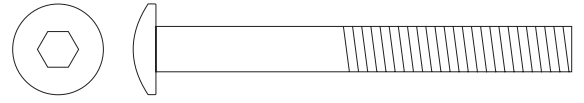


M8 Lockwashers
Quantity: 4

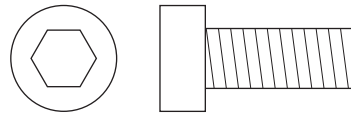


M8 x 20L Screws
Quantity: 2

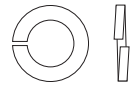
BLUE BAG



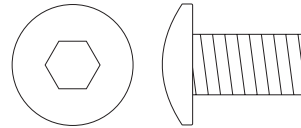
M6 x 55L Screws
Quantity: 8



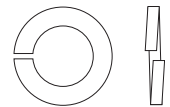
M8 x 20L
Sockethead Cap Screw
Quantity: 4



M6 Lockwashers
Quantity: 8

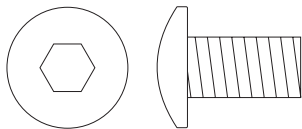


M8 x 15L Screws
Quantity: 4

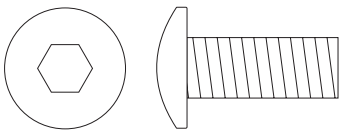


M8 Lockwashers
Quantity: 4

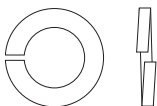
PINK BAG



M8 x 15L Screws
Quantity: 5



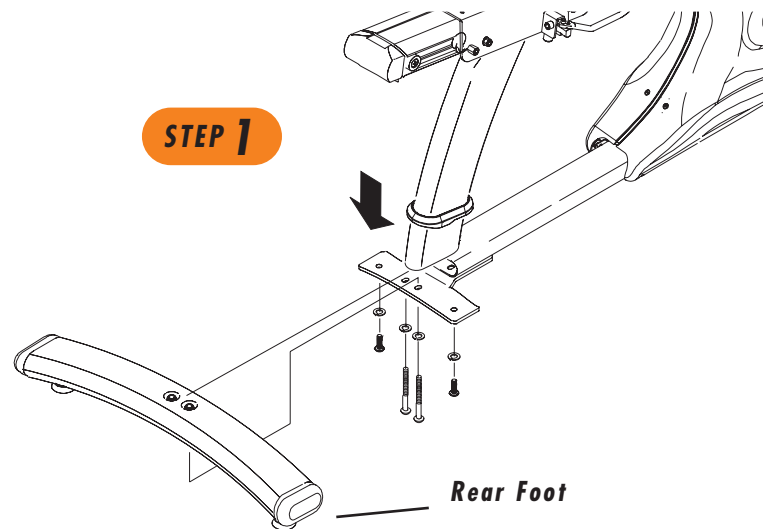
M8 x 20L Screws
Quantity: 2



M8 Lockwashers
Quantity: 6

STEP 1**ORANGE BAG**

- Slide the rear foot into place on the frame. Secure the foot in place with two screws (M8x20) and two lock washers (M8) to the outside holes and with two screws (M8x65) and two lock washers (M8) to the inside holes. Tighten with the blue-handled 5mm allen wrench.
- Slide the rubber sleeve, located on the rear support tube, into place over the rear foot.



STEP 2**BLUE BAG**

- Place the seat bracket on the seat frame. Secure in place with four (M8x20) socket-head cap screws. Tighten with the 6mm L-shaped wrench.

- Remove the socket-head cap screw in front of the seat lever, located on the right side of the seat frame, with the 4mm L-shaped wrench. Line-up the seat lever into position on the bracket. Reinsert the socket-head cap screw and tighten with the 4mm L-shaped wrench.

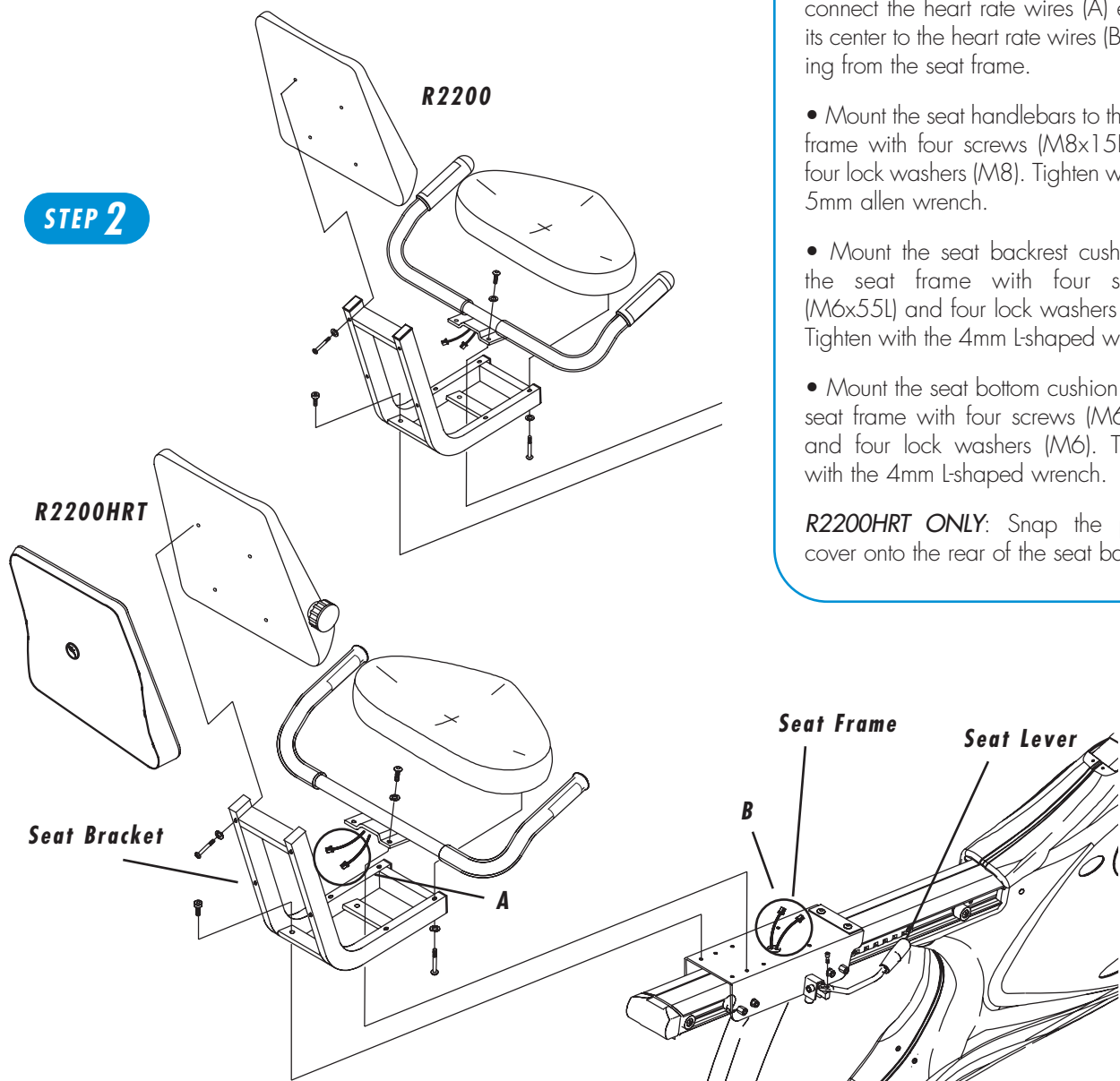
- Take the seat frame handlebar and connect the heart rate wires (A) exiting its center to the heart rate wires (B) coming from the seat frame.

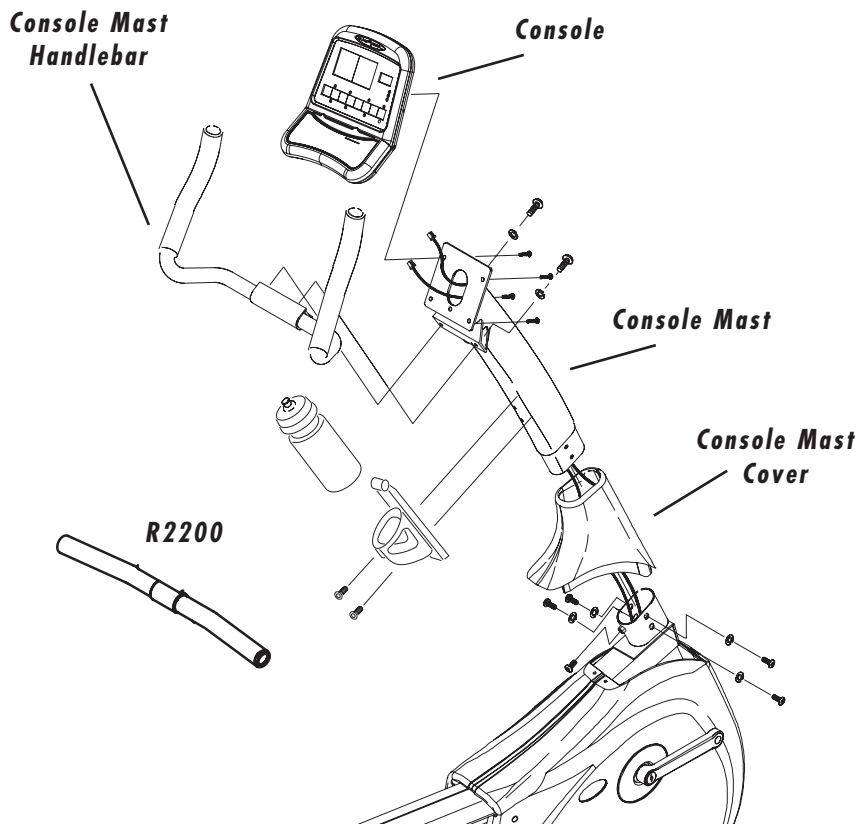
- Mount the seat handlebars to the seat frame with four screws (M8x15L) and four lock washers (M8). Tighten with the 5mm allen wrench.

- Mount the seat backrest cushion to the seat frame with four screws (M6x55L) and four lock washers (M6). Tighten with the 4mm L-shaped wrench.

- Mount the seat bottom cushion to the seat frame with four screws (M6x55L) and four lock washers (M6). Tighten with the 4mm L-shaped wrench.

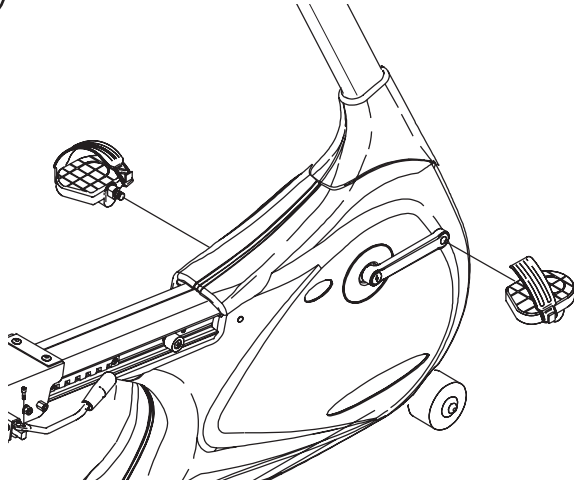
R2200HRT ONLY: Snap the plastic cover onto the rear of the seat back.

STEP 2

STEP 3**PINK BAG****STEP 3**

- Slide the console mast cover onto the console mast.
- Use the wire tie coming from the bottom of the console mast to wrap around the wire harness and heart rate wires that are sitting in the frame bracket.
- Pull the wire tie up through the console mast so the wire harness and heart rate wires exit the top of the mast.
- Slide the bottom of the console mast into the frame bracket. Use the 5mm allen wrench to secure the four screws (M8x15) and four lock washers (M8) to the sides of the console mast bracket. Use the 5mm L-shaped wrench to secure the last screw (M8x15) to the edge of the bracket facing the seat. Tighten only until snug.
- Mount the console mast handlebar to the console mast with two screws (M8x20) and two lock washers (M8). Tighten with the 5mm allen wrench.
- With a screwdriver remove the four mounting screws from the backside of the console. Connect the heart rate wires and the wire harness to the pin connectors on the backside of the console. Mount the console to the console mast using the four mounting screws and the screwdriver.
- Slide the console mast cover into place so it integrates with the side covers.
- Mount the water bottle cage to the console mast with the screws located on the console mast.

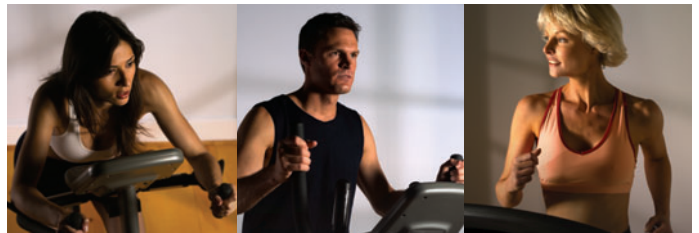
STEP 4



STEP 4

PEDALS

- Attach left pedal strap to left pedal and right pedal strap to right pedal.
- Attach right pedal to right crank arm and left pedal to left crank arm. Tighten with the 15mm pedal wrench.



500 South CP Avenue • P.O. Box 280 • Lake Mills, WI 53551
toll free 1.800.335.4348 • phone 1.920.648.4090 • fax 1.920.648.3373
www.visionfitness.com

©2005 Vision Fitness. All Rights Reserved. 1.05 Part #Z22RB42D-AG
AG18.16PRD
REV4