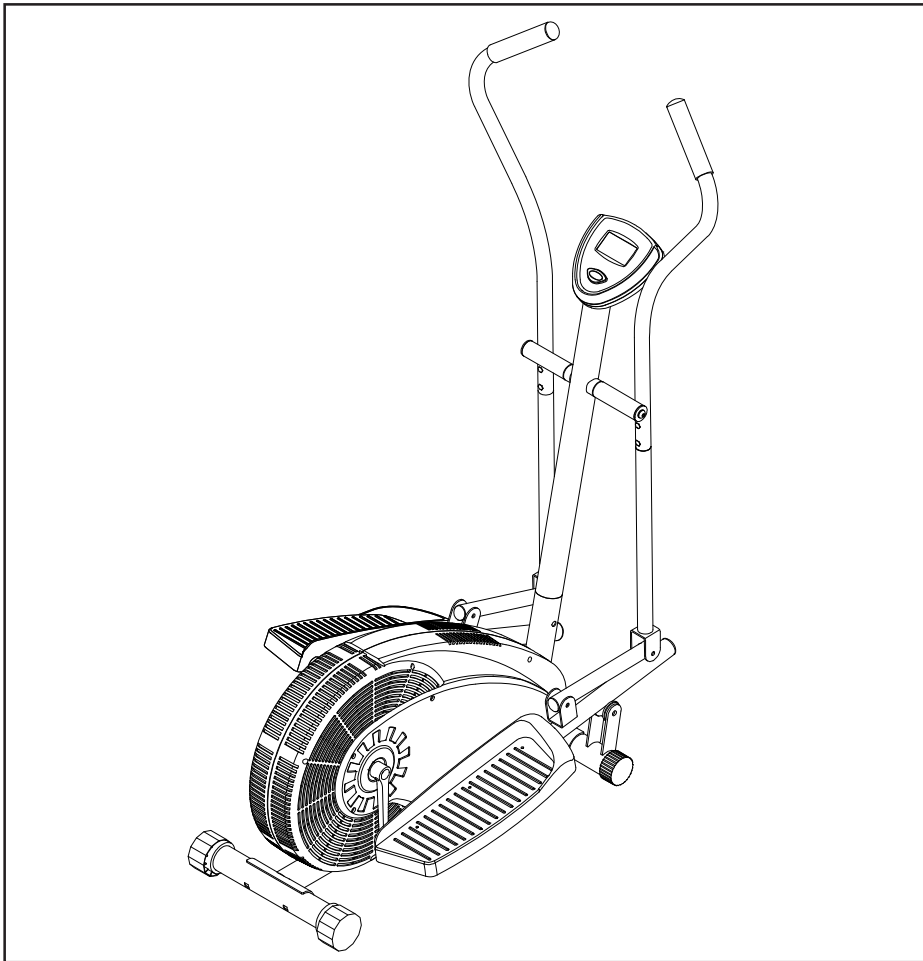


# **STAMINA<sup>®</sup> 1725**

## **AIR CROSS TRAINER ELLIPTICAL**

# **Owner's Manual**



**CAUTION:**  
Weight on this product should not exceed 250 lbs.

### **⚠ WARNING ⚠**

Exercise can present a health risk. Consult a physician before beginning any exercise program with this equipment. If you feel faint or dizzy, immediately discontinue use of this equipment. Serious bodily injury can occur if this equipment is not assembled and used correctly. Serious bodily injury can also occur if all instructions are not followed. Keep others and pets away from equipment when in use. Always make sure all bolts and nuts are tightened prior to each use. Follow all safety instructions in this manual.

When calling for parts or service, please specify the following number:

**Model#: 55-1725**  
**STAMINA PRODUCTS**  
MADE IN CHINA

**Product May Vary Slightly  
From Pictured.**

**This Product is Produced Exclusively by**



**2040 N. Alliance, Springfield, MO 65803**  
**Customer Service**  
**1 (800) 375-7520**  
**www.staminaproducts.com**

---

## TABLE OF CONTENTS

	Page		Page
Safety Instructions	2	Maintenance	15
Before You Begin	4	Conditioning Guidelines	16
Equipment Warning & Notice Labels	5	Warm-Up and Cool-Down	17
Hardware Identification Chart	6	Product Parts Drawing	18
Assembly Instructions	7	Parts List	19
Set Up Instructions	12	Warranty	21
Operational Instructions	13	Notes	22
Storage	15	Fax/Mail Ordering Form	23

---

## SAFETY INSTRUCTIONS

**WARNING:** To reduce the risk of serious injury, read the following Safety Instructions before using the **Air Cross Trainer 1725 Elliptical**.

1. Read all warnings posted on the **Air Cross Trainer 1725 Elliptical**.
2. The **Air Cross Trainer 1725 Elliptical** should only be used after a thorough review of the Owner's Manual.
3. We recommend that two people be available for assembly of this product.
4. Keep children away from the **Air Cross Trainer 1725 Elliptical**. Do not allow children to use or play on the **Air Cross Trainer 1725 Elliptical**. Keep children and pets away from the **Air Cross Trainer 1725 Elliptical** when it is in use.
5. Make sure the **Air Cross Trainer 1725 Elliptical** is properly assembled and that all nuts and bolts are tightened before use.
6. It is recommended that you place this exercise equipment on an equipment mat.
7. Set up and operate the **Air Cross Trainer 1725 Elliptical** on a solid level surface. Do not position the **Air Cross Trainer 1725 Elliptical** on loose rugs or uneven surfaces.
8. Make sure that adequate space is available for access to and around the **Air Cross Trainer 1725 Elliptical**.
9. Adjust the LEVELING CAPS(63) on the REAR STABILIZER(3) so that the **Air Cross Trainer 1725 Elliptical** sits on the floor without rocking.
10. Before using, inspect **Air Cross Trainer 1725 Elliptical** for worn or loose components, and tighten or replace any worn or loose components prior to use.
11. Consult a physician prior to commencing an exercise program and follow his/her recommendations in developing your fitness program. If at any time during exercise you feel faint, dizzy, or experience pain, stop and consult your physician.
12. Follow your physician's recommendations in developing your own personal fitness program.
13. Always choose the workout which best fits your physical strength and flexibility level. Know your limits and train within them. Always use common sense when exercising.
14. Do not wear loose or dangling clothing while using the **Air Cross Trainer 1725 Elliptical**.
15. Never exercise in bare feet or socks; always wear proper footwear such as running, walking, or cross training shoes that fit well, provide foot support, and feature non-skid rubber soles.
16. Care should be taken in mounting or dismounting the **Air Cross Trainer 1725 Elliptical**.
17. The **Air Cross Trainer 1725 Elliptical** should not be used by persons weighing over 250 pounds.
18. The **Air Cross Trainer 1725 Elliptical** should be used by only one person at a time.
19. The **Air Cross Trainer 1725 Elliptical** is for consumer use only. It is not for use in public or semipublic facilities.

**WARNING:** Before starting any exercise or conditioning program you should consult with your personal physician to see if you require a complete physical exam. This is especially important if you are over the age of 35, have never exercised before, are pregnant, or suffer from any illness. **READ AND FOLLOW THE SAFETY PRECAUTIONS. FAILURE TO FOLLOW THESE INSTRUCTIONS CAN RESULT IN SERIOUS BODILY INJURY.**

# CALL US FIRST



Customer Service

1 (800) 375-7520

[www.staminaproducts.com](http://www.staminaproducts.com)

---

## THANK YOU FOR PURCHASING THE Air Cross Trainer 1725 Elliptical

To help you get started, we have pre-assembled most of your Air Cross Trainer 1725 Elliptical at the factory with the exception of those few parts left unassembled for shipping purposes. Simply follow the few assembly instructions set forth in this manual. With regular workouts, you will be getting your body into shape and be on your way to achieving a happier and healthier lifestyle.

Should you have any questions,  
please call our Customer Service Department toll-free number,  
**1 (800) 375-7520**

Monday - Thursday, 7:30 A.M. - 5:00 P.M., Central Time.

Friday, 8:00 A.M. - 3:00 P.M., Central Time.



**TELEPHONE**

CUSTOMER SERVICE  
Tel: 1 (800) 375-7520



**FAX**

CUSTOMER SERVICE  
Fax: (417) 889-8064



**ONLINE**

CUSTOMER SERVICE  
[customerservice@staminaproducts.com](mailto:customerservice@staminaproducts.com)  
[www.staminaproducts.com](http://www.staminaproducts.com)



**MAIL**

STAMINA PRODUCTS, INC.  
ATTN: Customer Service  
P.O. Box 1071  
Springfield, MO. 65801-1071

## BEFORE YOU BEGIN

Thank you for choosing the **Air Cross Trainer 1725 Elliptical**. We take great pride in producing this quality product and hope it will provide many hours of quality exercise to make you feel better, look better, and enjoy life to its fullest.

It's a proven fact that a regular exercise program can improve your physical and mental health. Too often, our busy lifestyles limit our time and opportunity to exercise. The **Air Cross Trainer 1725 Elliptical** provides a convenient and simple method to begin your assault on getting your body in shape and achieving a happier and healthier lifestyle.

Before reading further, please review the drawing below and familiarize yourself with the parts that are labeled.

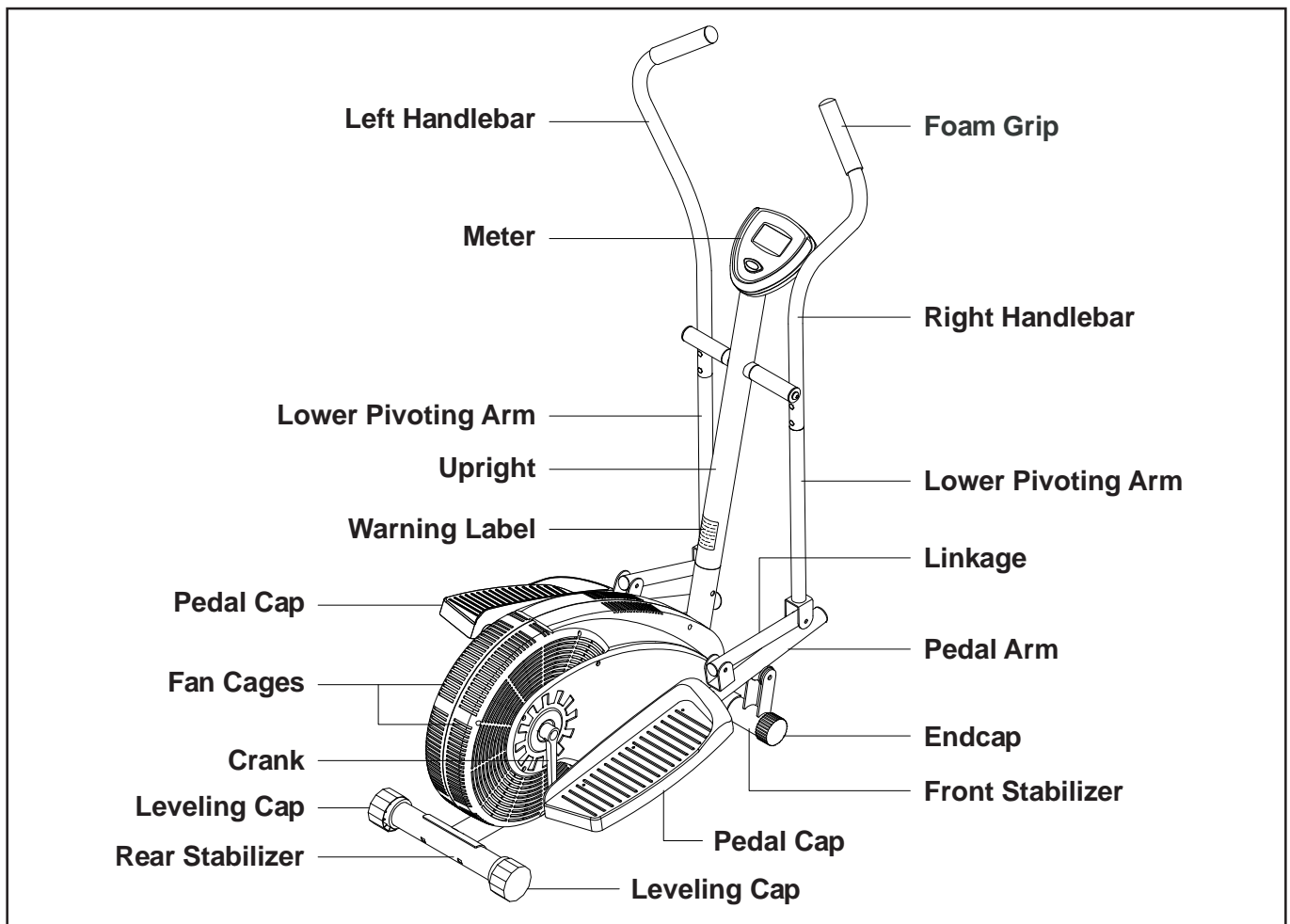
Read this manual carefully before using the **Air Cross Trainer 1725 Elliptical**.

Although Stamina constructs its products with the finest materials and uses the highest standards of manufacturing and quality control, there can sometimes be missing parts or incorrectly sized parts. If you have any questions or problems with the parts included with your **Air Cross Trainer 1725 Elliptical**, please do not return the product. Contact us **FIRST!**

If a part is missing or defective, please call us toll free at 1-800-375-7520 (in the U.S.). Our Customer Service Staff is available to assist you from 7:30 A.M. to 5:00 P.M. (Central Time) Monday through Thursday and 8:00 A.M. to 3:00 P.M. (Central Time) on Friday.

If you would like to contact us online, go to our website at [www.staminaproducts.com](http://www.staminaproducts.com) and access the Customer Service section.

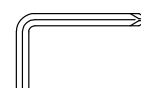
Be sure to have the name and model number of the product available when you contact us.



THE FOLLOWING TOOLS ARE INCLUDED FOR ASSEMBLY :



Wrench



Allen Wrench (6mm)

# EQUIPMENT WARNING & NOTICE LABELS

---

This chart is provided to help identify the warning & notice labels on the **Air Cross Trainer 1725 Elliptical**. Please take a moment to familiarize yourself with all of the warning & notice labels.

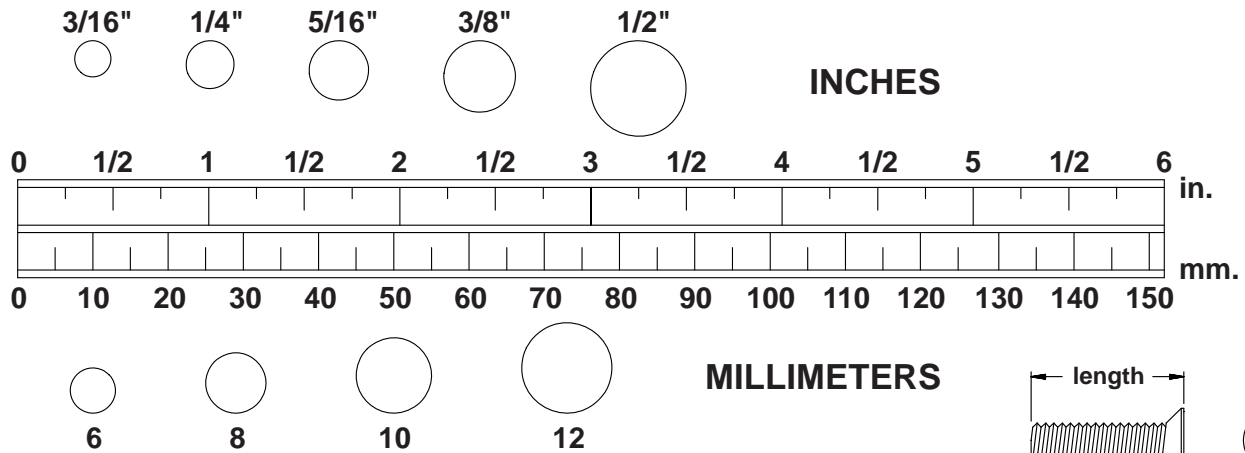
Label is larger than actual size

**W1** WARNING LABEL(92)

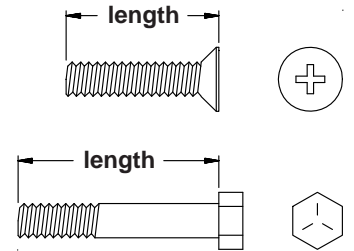


# HARDWARE IDENTIFICATION CHART

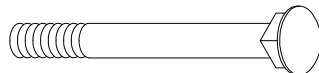
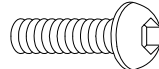
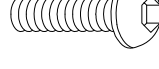

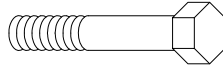
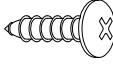
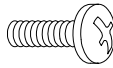
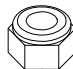
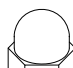
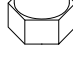




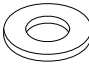


This chart is provided to help identify the hardware used in the assembly process. Place the washers or the ends of the bolts or screws on the circles to check for the correct diameter. Use the small scale to check the length of the bolts and screws.



**NOTICE:** The length of all bolts and screws, except those with flat heads, is measured from below the head to the end of the bolt or screw. Flat head bolts and screws are measured from the top of the head to the end of the bolt or screw.

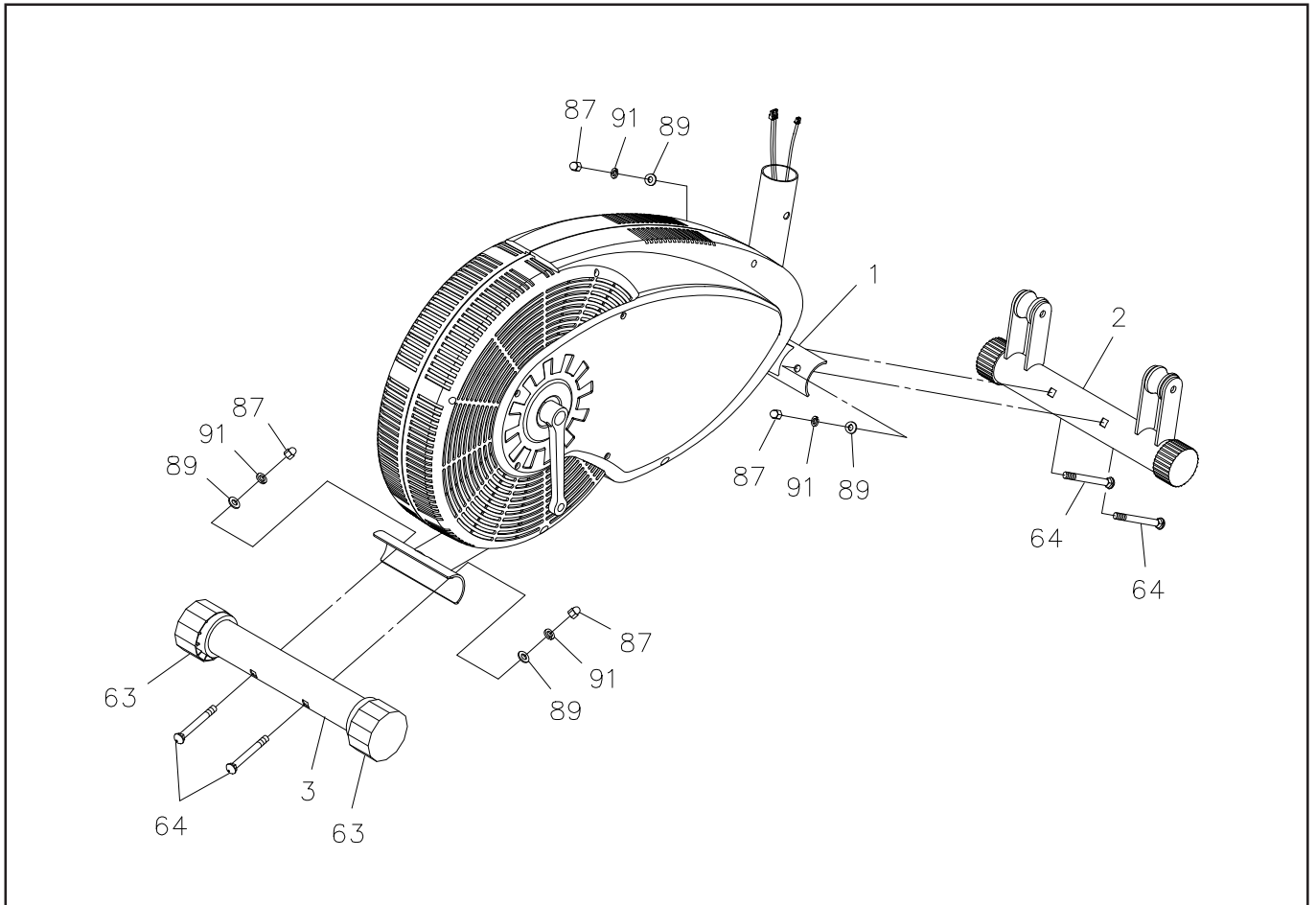


After unpacking the unit, open the hardware bag and make sure that you have all the following items. Some hardware may be already attached to the part.

	Part No. and Description	Qty
	64 Carriage Bolt (M8 x 1.25 x 65mm)	4
	65 Bolt, Button Head (M8 x 1.25 x 15mm)	4
	66 Bolt, Button Head (M8 x 1.25 x 20mm)	2
	67 Bolt, Button Head (M8 x 1.25 x 48mm)	2
	73 Bolt, Hex Head (M6 x 1 x 36mm)	4
	76 Screw, Round Head (M5 x 15mm)	6
	77 Screw, Round Head (M5 x 0.8 x 15mm)	4
	80 Nylock Nut (M8 x 1.25)	2
	86 Acorn Nut (M6 x 1)	4
	87 Acorn Nut (M8 x 1.25)	4
	88 Arc Washer (M6)	4
	89 Arc Washer (M8)	8
	90 Lock Washer (M6)	4
	91 Lock Washer (M8)	10
	48 Large Washer (M8 x 32mm x 2mm thick)	2
	53 Plastic Washer (M8 x ø18 x 2mm thick)	4
	57 Large Washer (M16 x 0.5mm thick)	2

## ASSEMBLY INSTRUCTIONS

Place all parts from the box in a cleared area and position them on the floor in front of you. Remove all packing materials from your area and place them back into the box. Do not dispose of the packing materials until assembly is completed. Read each step carefully before beginning. If you are missing a part please call our toll-free number for assistance 1-800-375-7520 or e-mail us at customerservice@staminaproducts.com.



### STEP 1

Attach the **FRONT STABILIZER(2)** to the **MAIN FRAME(1)** with **CARRIAGE BOLTS(M8x1.25x65mm)(64)**, **ARC WASHERS(M8)(89)**, **LOCK WASHERS(M8)(91)**, and **ACORN NUTS(M8x1.25)(87)**.

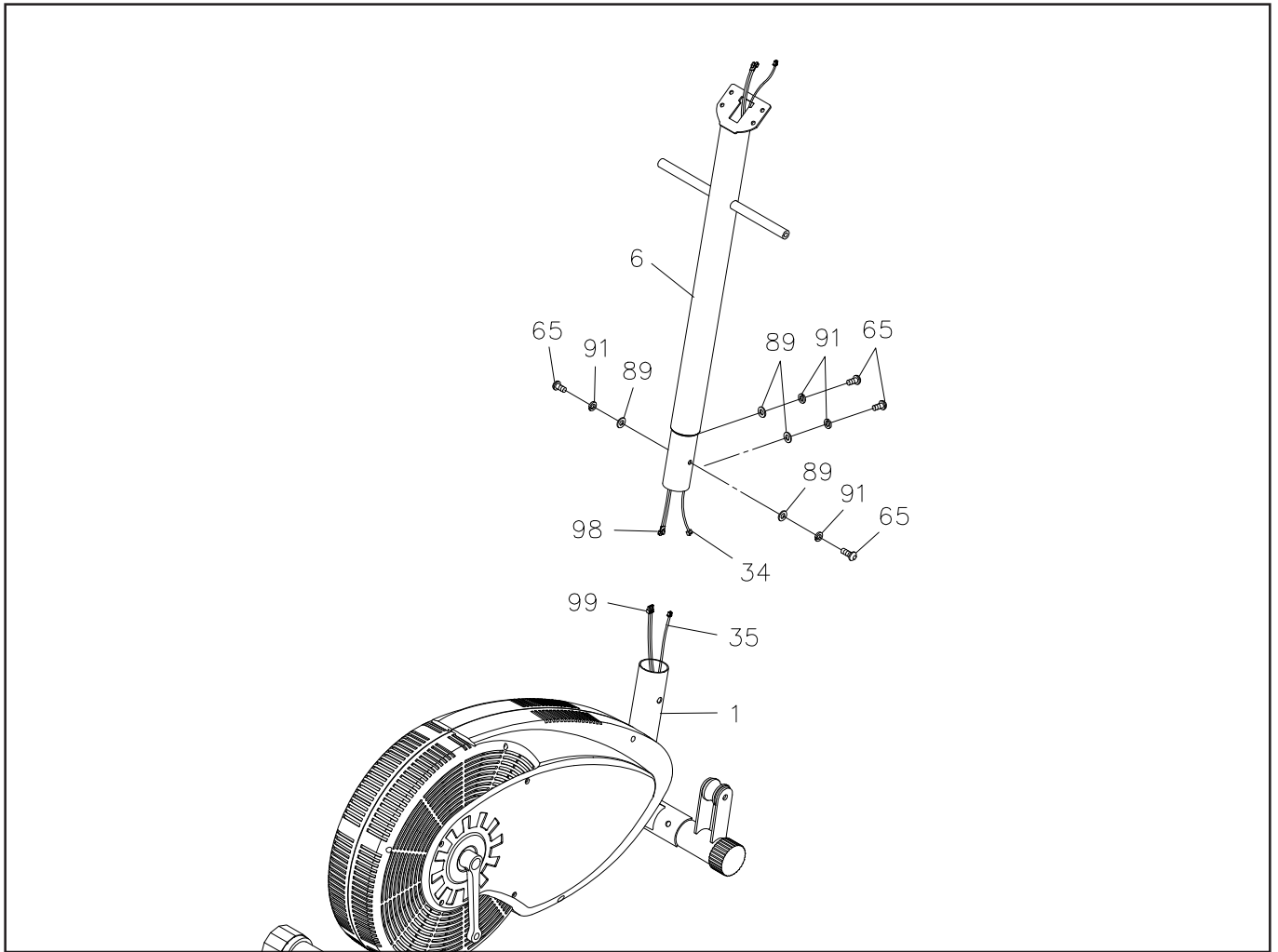
### STEP 2

Attach the **REAR STABILIZER(3)** to the **MAIN FRAME(1)** with **CARRIAGE BOLTS(M8x1.25x65mm)(64)**, **ARC WASHERS(M8)(89)**, **LOCK WASHERS(M8)(91)**, and **ACORN NUTS(M8x1.25)(87)**.

**NOTE:** You can adjust the **LEVELING CAPS(63)** on the **REAR STABILIZER(3)** to keep the **Air Cross Trainer 1725 Elliptical** stable.



## ASSEMBLY INSTRUCTIONS



### STEP 3

Plug the **SENSOR WIRE(35)** firmly into the **SENSOR CONNECTION WIRE(34)**. Plug the **LOWER CONTROL WIRE(99)** firmly into the **CONTROL WIRE(98)**.

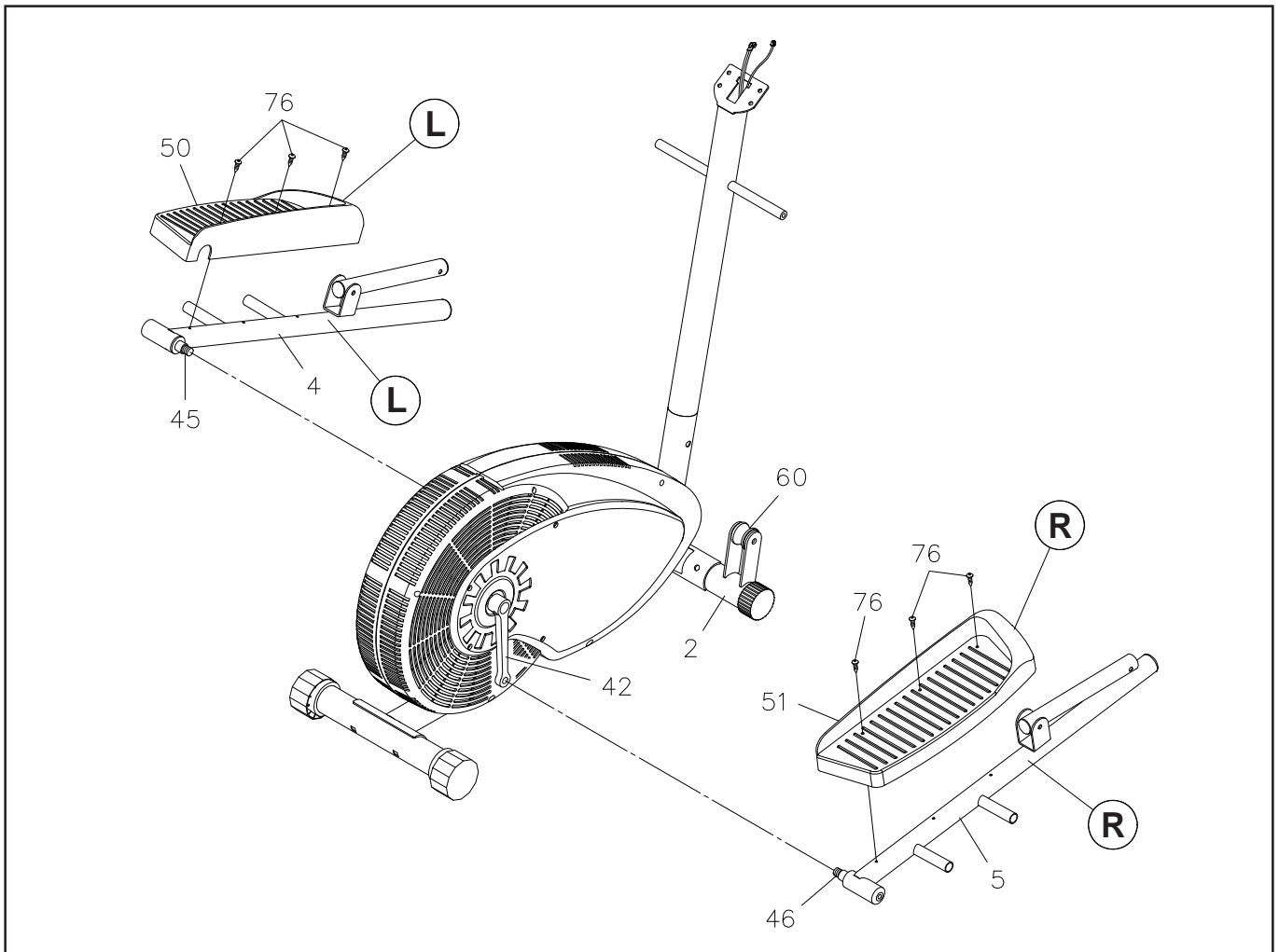
**CAUTION:** Be careful not to damage the **SENSOR WIRES(34, 35)** and **CONTROL WIRES(98, 99)** when assembling the **UPRIGHT(6)**.

### STEP 4

Insert the **UPRIGHT(6)** into the **MAIN FRAME(1)** and secure with **BUTTON HEAD BOLTS(M8x1.25x15mm)(65)**, **ARC WASHERS(M8)(89)**, and **LOCK WASHERS(M8)(91)**. Do not tighten the bolts until **STEP 9**.



## ASSEMBLY INSTRUCTIONS



### STEP 5

**NOTE:** 1. There is a "L" decal on the **LEFT PEDAL ARM(4)**, and a "R" decal on the **RIGHT PEDAL ARM(5)**.

2. The **RIGHT PEDAL SHAFT(46)** has right hand threads and is tightened by turning clockwise.  
The **LEFT PEDAL SHAFT(45)** has left hand threads and is tightened by turning counterclockwise.

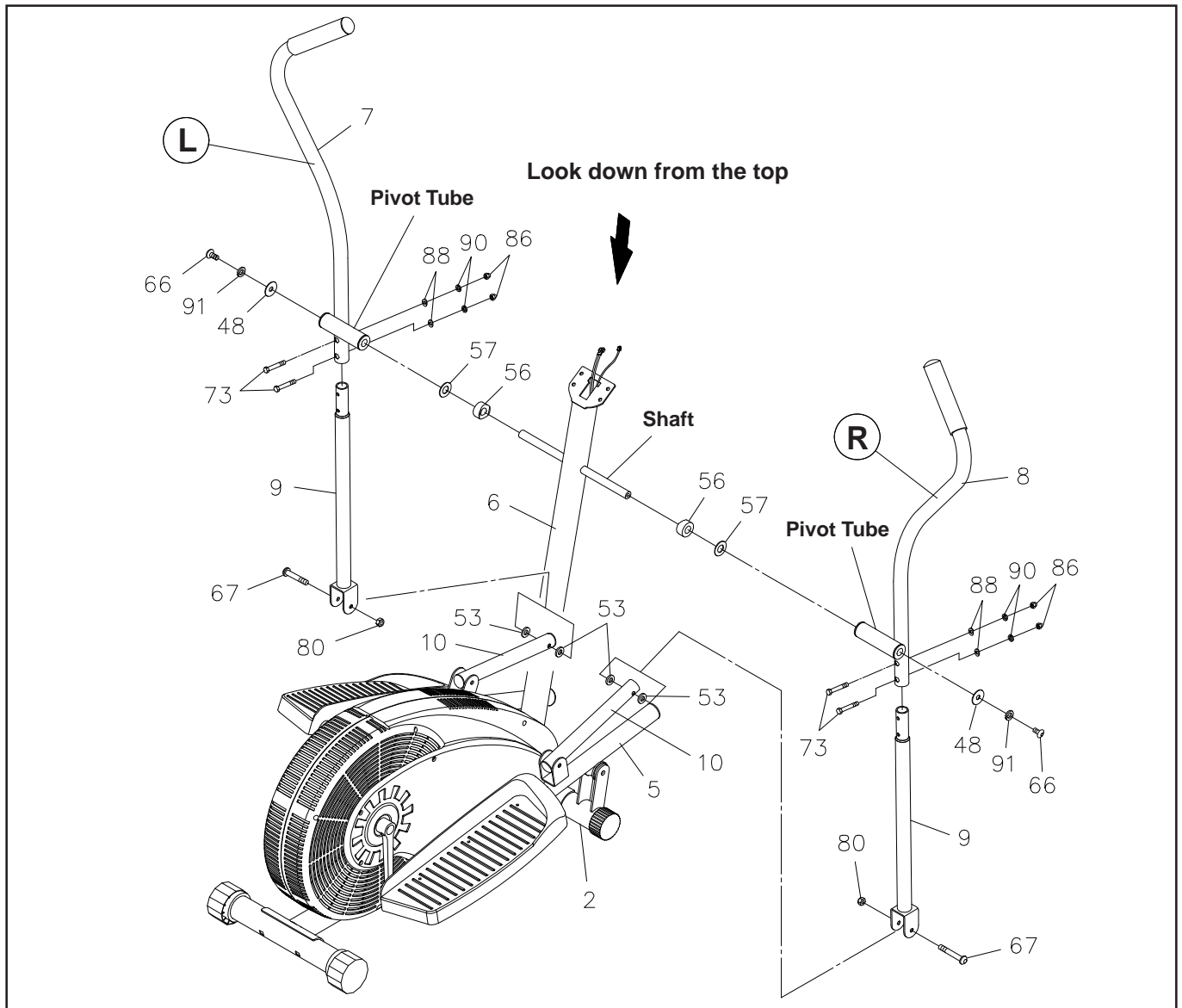
Place the front end of the **RIGHT PEDAL ARM(5)** on the **ROLLER(60)**. Connect the back end of the **RIGHT PEDAL ARM(5)** to the **RIGHT CRANK(42)** by threading the **RIGHT PEDAL SHAFT(46)** into the **RIGHT CRANK(42)** and tighten securely. Repeat on the left side.

### STEP 6

There is a "L" decal on the **LEFT PEDAL CAP(50)**, and a "R" decal on the **RIGHT PEDAL CAP(51)**. Attach the **RIGHT PEDAL CAP(51)** to the **RIGHT PEDAL ARM(5)** with **ROUND HEAD SCREWS (M5x15mm) (76)**. Repeat on the left side.

**NOTE:** The **LEFT** and **RIGHT PEDAL CAPS(50, 51)** have a raised lip on two sides. Attach the **LEFT** and **RIGHT PEDAL CAPS(50, 51)** to the **LEFT** and **RIGHT PEDAL ARMS(4, 5)** so the raised lip is on the front and the inner sides.

## ASSEMBLY INSTRUCTIONS

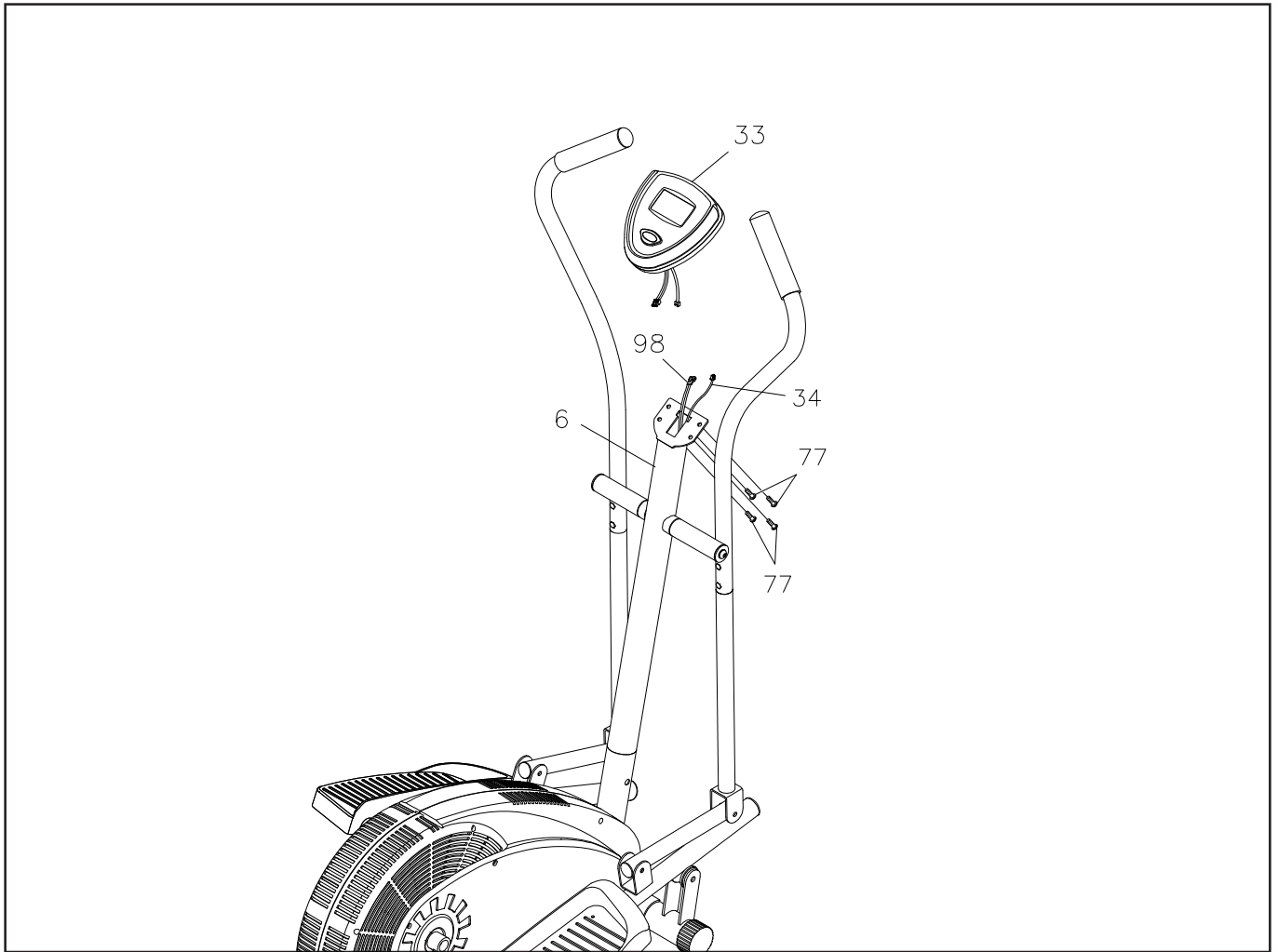


**STEP 7:** There is a "L" decal on the **LEFT HANDLEBAR(7)**, and a "R" decal on the **RIGHT HANDLEBAR(8)**. To assemble the **RIGHT HANDLEBAR(8)**, place a **SPACER(56)** and a **LARGE WASHER(M16)(57)** onto the right side of the **SHAFT** on the **UPRIGHT(6)**. Slide the **RIGHT HANDLEBAR(8)** onto the **SHAFT** and secure with a **LARGE WASHER(M8)(48)**, **LOCK WASHER(M8)(91)**, and **BUTTON HEAD BOLT (M8x1.25x20mm)(66)**. Repeat on the left side.

**STEP 8:** Attach the **LOWER PIVOTING ARMS(9)** to the **LEFT** and **RIGHT HANDLEBARS(7, 8)** with **HEX BOLTS(M6x1x36mm)(73)**, **ARC WASHERS(M6)(88)**, **LOCK WASHERS(M6)(90)**, and **ACORN NUTS (M6x1)(86)**. The **HEX BOLTS(M6x1x36mm)(73)** fit inside the hex-shaped holes in the **HANDLEBARS (7, 8)**. Attach the **LOWER PIVOTING ARMS(9)** to the **LINKAGES(10)** at both sides with the **PLASTIC WASHERS(M8)(53)**, **BUTTON HEAD BOLTS(M8x1.25x48mm)(67)**, and **NYLOCK NUTS(M8x1.25)(80)**.

**STEP 9:** Look down from the top of the **UPRIGHT(6)** to make sure the pivot tubes on the **HANDLEBARS (7, 8)** are parallel to the **FRONT STABILIZER(2)** and the **PEDAL ARMS(4, 5)** are crossing the **ROLLERS(60)** properly. Tighten the **BUTTON HEAD BOLTS(M8x1.25x15mm)(65)** as described in **STEP 4** on the **UPRIGHT(6)**.

## ASSEMBLY INSTRUCTIONS



### STEP 10

Install four AA batteries into the **METER(33)**. Four batteries are included. See page 14 for detailed battery installation instructions. Connect the **SENSOR CONNECTION WIRE(34)** and the **CONTROL WIRE(98)** to the **EXTENSION WIRES** on the **METER(33)**. Push the excess wires back into the **UPRIGHT(6)**. Attach the **METER(33)** to the plate on the **UPRIGHT(6)** with **ROUND HEAD SCREWS(M5x0.8x15mm)(77)**.

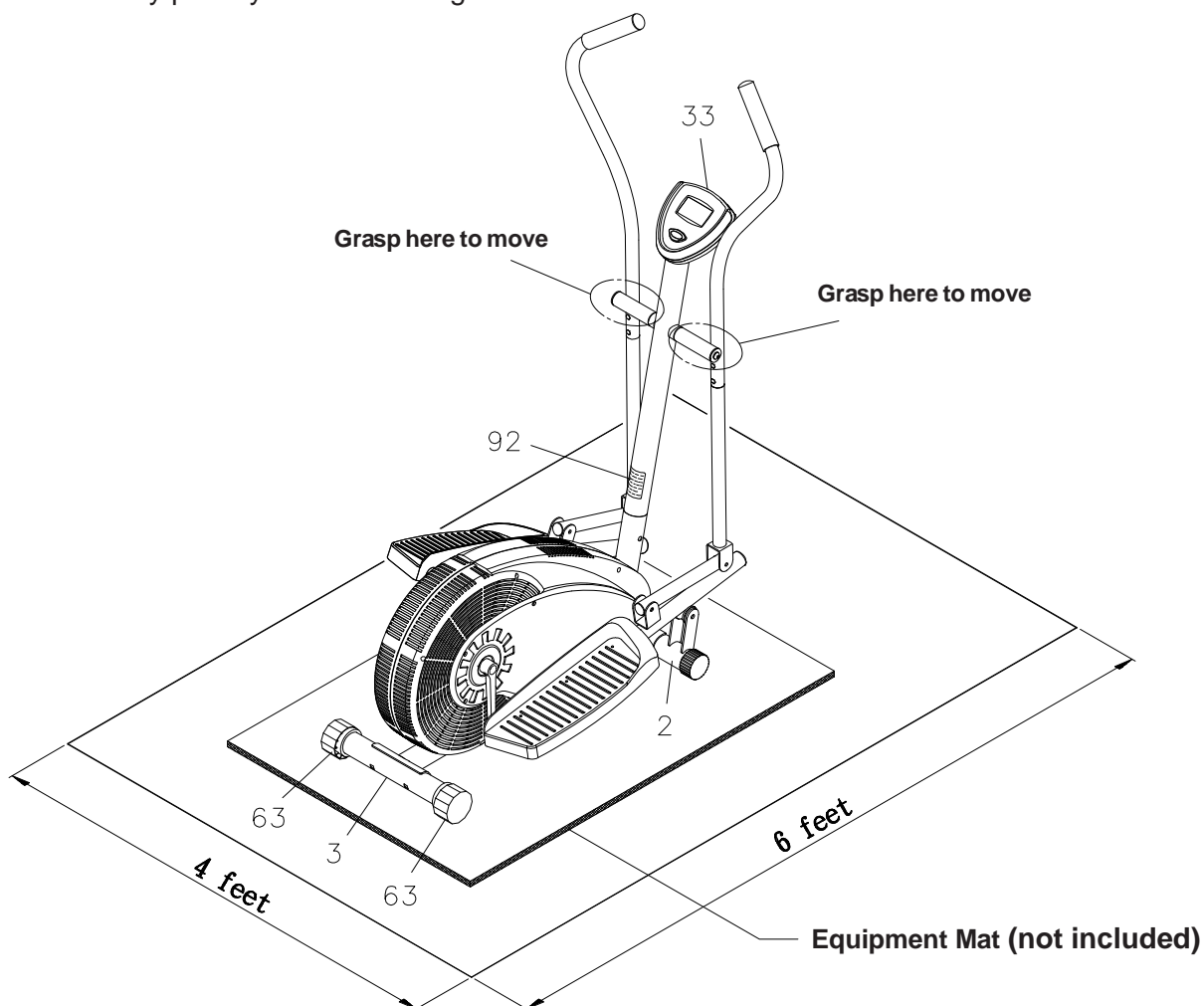
**CAUTION:** Be careful not to damage the **WIRES(34, 98)** when attaching the **METER(33)**.

## SET UP INSTRUCTIONS

Place the **Air Cross Trainer 1725 Elliptical** in the area where it will be used. It is recommended that the **Air Cross Trainer 1725 Elliptical** be placed on an equipment mat. The maximum operation dimensions of the **Air Cross Trainer 1725 Elliptical** are approximately 41 1/2 inches long x 21 1/4 inches wide x 57 3/4 inches tall. (These dimensions may vary up to one inch.) An area 4 feet wide x 6 feet long is required for safe operation of the **Air Cross Trainer 1725 Elliptical**. Make sure that adequate space is available for access to and passage around the **Air Cross Trainer 1725 Elliptical**.

**LEVELING:** Adjust the **LEVELING CAPS(63)** on the **REAR STABILIZER(3)** so that the **Air Cross Trainer 1725 Elliptical** sits on the floor without rocking. Remove and reposition the **LEVELING CAPS(63)** on the **REAR STABILIZER(3)** to level the **Air Cross Trainer 1725 Elliptical**.

**MOVING:** Grasp the pivot tubes on the **HANDLEBARS(7, 8)** and **REAR STABILIZER(3)** to move the **Air Cross Trainer 1725 Elliptical**, two people are required for moving. Do not use the **PEDAL ARMS(4, 5)** to move the **Air Cross Trainer 1725 Elliptical**. The **PEDAL ARMS(4, 5)** will move and may pinch your hand or fingers.



### FUNCTION INSPECTION:

Visually inspect the **Air Cross Trainer 1725 Elliptical** to verify that assembly is as shown in the above illustration. Check the function of the **Air Cross Trainer 1725 Elliptical**, stand on the foot pedals and place your hands at a comfortable position on the handlebars. Slowly move your highest foot forward and follow the natural path of the machine. Complete one full revolution slowly to verify that the drive train functions properly. Press the **UP** and **DOWN** buttons on the **METER(33)** to verify that the adjustable tension is working properly.

**CAUTION:** Locate and read the **WARNING LABEL(92)** on the **Air Cross Trainer 1725 Elliptical**. Make sure that all users read the **WARNING LABEL(92)**.

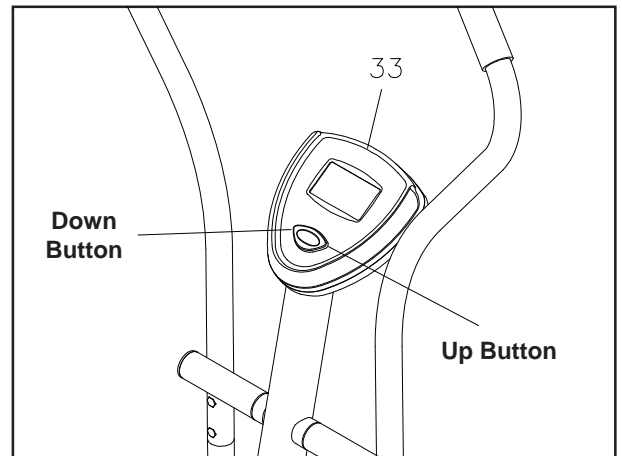
---

## OPERATIONAL INSTRUCTION

### LOAD ADJUSTMENT

To increase the load, press the **UP BUTTON** on the **METER(33)**.

To decrease the load, press the **DOWN BUTTON** on the **METER(33)**.



### EXERCISE WORKOUT

To start using the **Air Cross Trainer 1725 Elliptical** simply stand on the foot pedals with the front of your shoes close to the front edge of the pedal cap. Place your hands at a comfortable position on the handlebars. Simply move your highest foot forward and follow the natural path of the machine.

Start on a load level that is comfortable to familiarize yourself with the machine. Once you are comfortable, start adjusting the load level to achieve the workout desired.

#### Forward and Reverse

The **Air Cross Trainer 1725 Elliptical** can be used in the forward and reverse direction to vary the muscles that you work out. This will also vary your workout helping you to stay motivated. To change directions, simply slow the pedals down until they stop and switch directions.

#### Load Level Adjustment

The load level of **Air Cross Trainer 1725 Elliptical** can be changed at any time during your workout. Adjusting your load level will allow you to increase or decrease your intensity level.

## OPERATIONAL INSTRUCTIONS

### USING THE FITNESS MONITOR OR METER

**POWER ON:** Pedal movement or press any button.  
Automatic shut off after 4 minutes of inactivity.

**POWER OFF:** Resets all values to zero.

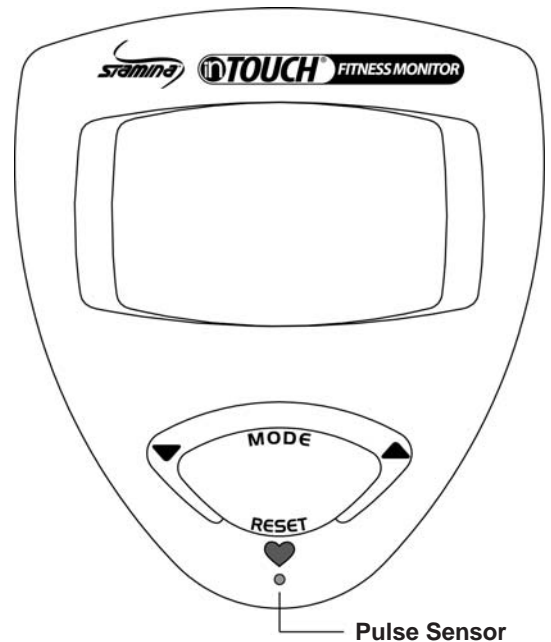
### FUNCTION BUTTONS:

**▲/UP:** Press to increase the level of the workload in anytime during workout.

**▼/DOWN:** Press to decrease the level of the workload in anytime during workout.

**MODE:** Press and release to select each function for display.

**RESET:** This button will reset each function to zero.  
To reset all functions to zero, press the button and hold it down for three seconds.



### FUNCTIONS:

**SCAN:** Automatically scans each function of **TIME**, **SPEED**, **DISTANCE**, **CALORIE**, and **PULSE** in sequence with change every four seconds. Press and release the **MODE** button until "SCAN" appears on the display.

**TIME:** Displays the time from one second up to 99:59 minutes.

**SPEED:** Displays the current speed from zero to 999.9 miles per hour.

**DISTANCE:** Displays the distance from zero to 99.99 miles.

**CALORIE:** Displays calories burned from zero to 999.9 Kcal.

The Calorie Display estimates the average user's calorie consumption based on the speed and time of the workout. The Calorie Display is not affected by the load adjustment. It should be used only as a comparison between workouts on this unit.

**PULSE:** Displays your heart rate in beats per minute. To display heart rate, press the **MODE** button to select the **PULSE** mode. Use your forefinger to slightly touch the **PULSE SENSOR** on the meter. The heart symbol "♥" will begin flashing when the meter receives your heart rate reading. Your heart rate will be displayed approximately five (5) seconds after the heart icon is shown; however, if your finger isn't placed correctly on the **PULSE SENSOR**, you will not see a heart rate on the display and the meter will cancel the heart rate circuit after 60 seconds. If this occurs, press the **MODE** button to restart, place your finger back on the **PULSE SENSOR** correctly and the heart rate readout will appear.

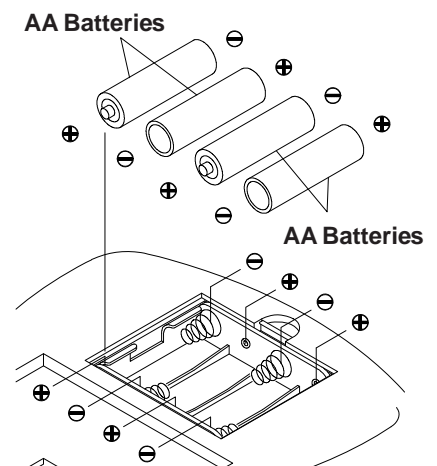
**NOTE:** The meter will shut off automatically after four minutes of inactivity. All function values will be kept. Press the **RESET** button and hold it down for three seconds to reset all functions to zero.

### HOW TO INSTALL AND REPLACE BATTERIES:

1. Open the Battery Door on the back of the meter.
2. The meter operates with four AA batteries (four batteries included). Refer to the illustration to install or replace the batteries.

### NOTE:

1. Do not mix a new battery with an old battery.
2. Use the same type of battery. Do not mix an alkaline battery with another type of battery.
3. Rechargeable batteries are not recommended.



---

## STORAGE

1. To store the **Air Cross Trainer 1725 Elliptical**, simply keep it in a clean dry place.
2. The minimum rest dimensions of the **Air Cross Trainer 1725 Elliptical** are approximately 40 3/4 inches long x 21 1/4 inches wide x 58 inches tall. These dimensions may vary. Please measure your **Air Cross Trainer 1725 Elliptical** if exact dimensions are needed.
3. Grasp the pivot tubes on the **HANDLEBARS(7, 8)** and **REAR STABILIZER(3)** to move the **Air Cross Trainer 1725 Elliptical**, two people are required for moving. Do not use the **PEDAL ARMS(4, 5)** to move the **Air Cross Trainer 1725 Elliptical**.
4. To avoid damage to the **METER(33)**, remove the batteries before storing the **Air Cross Trainer 1725 Elliptical** for one year or more.

## MAINTENANCE

The safety and integrity designed into the **Air Cross Trainer 1725 Elliptical** can only be maintained when the **Air Cross Trainer 1725 Elliptical** is regularly examined for damage and wear. Special attention should be given to the following:

1. Press the **UP** and **DOWN** buttons on the **METER(33)** to verify that the Tension Strap provides tension.
2. Verify that the **WARNING LABEL(92)** is in place and easy to read. Call Stamina Products immediately at 1-800-375-7520 for a replacement **WARNING LABEL(92)** if it is missing or damaged.
3. It is the sole responsibility of the user/owner to ensure that regular maintenance is performed.
4. Worn or damaged components shall be replaced immediately or the **Air Cross Trainer 1725 Elliptical** removed from service until repair is made.
5. Only Stamina Products supplied components shall be used to maintain/repair the **Air Cross Trainer 1725 Elliptical**.
6. Keep your **Air Cross Trainer 1725 Elliptical** clean by wiping it off with an absorbent cloth after use.



## CONDITIONING GUIDELINES

How you begin your exercise program depends on your physical condition. If you have been inactive for several years or are severely overweight, start slowly and increase your workout time gradually. Increase your workout intensity gradually by monitoring your heart rate while you exercise.

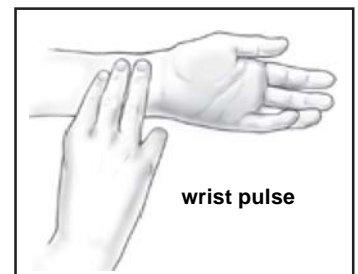
Remember to follow these essentials:

- Have your doctor review your training and diet programs.
- Begin your training program slowly with realistic goals that have been set by you and your physician.
- Warm up before you exercise and cool down after you work out.
- Take your pulse periodically during your workout and strive to stay within a range of 60% (lower intensity) to 90% (higher intensity) of your maximum heart rate zone. Start at the lower intensity, and build up to higher intensity as you become more aerobically fit.
- If you feel dizzy or lightheaded you should slow down or stop exercising.

Initially you may only be able to exercise within your target zone for a few minutes; however, your aerobic capacity will improve over the next six to eight weeks. It is important to pace yourself while you exercise so you don't tire too quickly.

To determine if you are working out at the correct intensity, use a heart rate monitor or use the table below. For effective aerobic exercise, your heart rate should be maintained at a level between 60% and 90% of your maximum heart rate. If just starting an exercise program, work out at the low end of your target heart rate zone. As your aerobic capacity improves, gradually increase the intensity of your workout by increasing your heart rate.

Measure your heart rate periodically during your workout by stopping the exercise but continuing to move your legs or walk around. Place two or three fingers on your wrist and take a six second heartbeat count. Multiply the results by ten to find your heart rate. For example, if your six second heartbeat count is 14, your heart rate is 140 beats per minute. A six second count is used because your heart rate will drop rapidly when you stop exercising. Adjust the intensity of your exercise until your heart rate is at the proper level.



Target Heart Rate Zone Estimated by Age\*

Age	Target Heart Rate Zone (55%-90% of Maximum Heart Rate)	Average Maximum Heart Rate 100%
20 years	110-180 beats per minute	200 beats per minute
25 years	107-175 beats per minute	195 beats per minute
30 years	105-171 beats per minute	190 beats per minute
35 years	102-166 beats per minute	185 beats per minute
40 years	99-162 beats per minute	180 beats per minute
45 years	97-157 beats per minute	175 beats per minute
50 years	94-153 beats per minute	170 beats per minute
55 years	91-148 beats per minute	165 beats per minute
60 years	88-144 beats per minute	160 beats per minute
65 years	85-139 beats per minute	155 beats per minute
70 years	83-135 beats per minute	150 beats per minute

\* For cardiorespiratory training benefits, the American College of Sports Medicine recommends working out within a heart rate range of 55% to 90% of maximum heart rate. To predict the maximum heart rate, the following formula was used: 220 - Age = predicted maximum heart rate

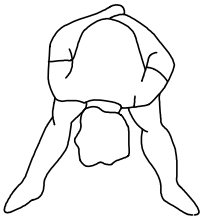
---

## WARM-UP and COOL-DOWN

**Warm-Up** The purpose of warming up is to prepare your body for exercise and to minimize injuries. Warm up for two to five minutes before strength training or aerobic exercising. Perform activities that raise your heart rate and warm the working muscles. Activities may include brisk walking, jogging, jumping jacks, jump rope, and running in place

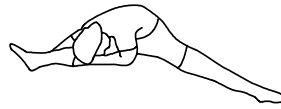
**Stretching** Stretching while your muscles are warm after a proper warm-up and again after your strength or aerobic training session is very important. Muscles stretch more easily at these times because of their elevated temperature, which greatly reduces the risk of injury. Stretches should be held for 15 to 30 seconds. Do not bounce.

### Suggested Stretching Exercises



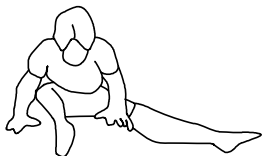
#### Lower Body Stretch

Place feet shoulder-width apart and lean forward. Keep this position for 30 seconds using the body as a natural weight to stretch the backs of the legs. **DO NOT BOUNCE!** When the pull on the back of the legs lessens, gradually try a lower position.



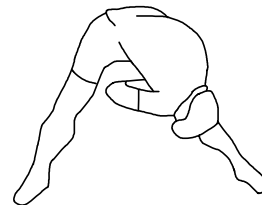
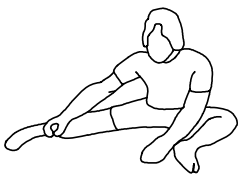
#### Floor Stretch

While sitting on the floor, open the legs as wide as possible. Stretch the upper body toward the knee on the right leg by using your arms to pull your chest to your thighs. Hold this stretch 10 to 30 seconds. **DO NOT BOUNCE!** Do this stretch 10 times. Repeat the stretch with the left leg.



#### Bent Torso Pulls

While sitting on the floor, have legs apart, one leg straight and one knee bent. Pull the chest down to touch the thigh on the leg that is bent, and twist at the waist. Hold this position at least 10 seconds. Repeat 10 times on each side.



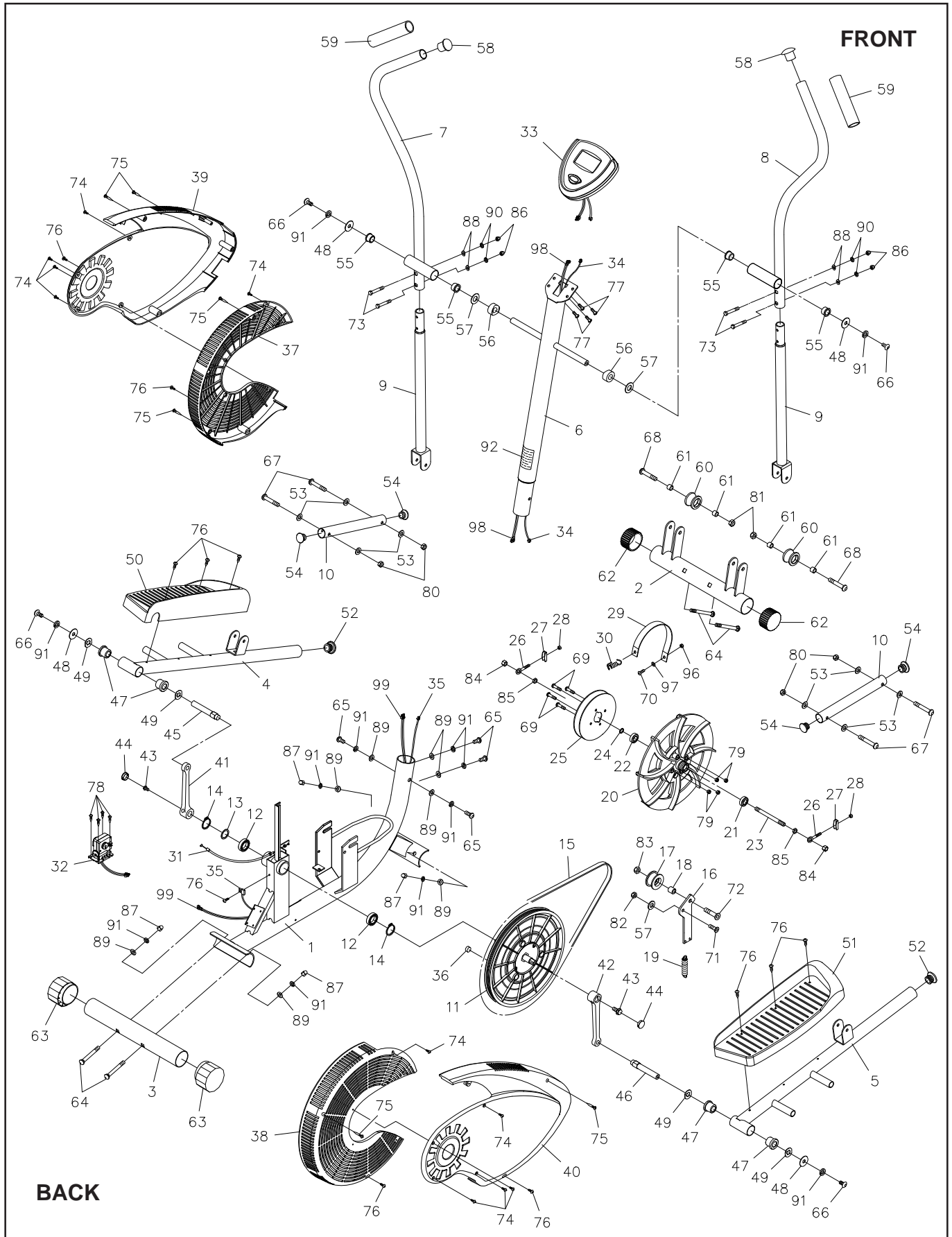
#### Bent Over Leg Stretch

Stand with feet shoulder-width apart and lean forward as illustrated. Using the arms, **gently** pull the upper body towards the right leg. Let the head hang down. **DO NOT BOUNCE!** Hold the position a minimum of 10 seconds. Repeat pulling the upper body to the left leg. Do this stretch several times slowly.

**Remember to always check with your physician before starting any exercise program.**

**Cool-Down** The purpose of cooling down is to return the body to its normal, or near normal, resting state at the end of each exercise session. A proper cool-down slowly lowers your heart rate and allows blood to return to the heart. Your cool-down should include the stretches listed above and should be completed after each strength training session.

# PRODUCT PARTS DRAWING



## PARTS LIST

PART#	PART NAME	QTY
1	Main Frame	1
2	Front Stabilizer	1
3	Rear Stabilizer	1
4	Left Pedal Arm	1
5	Right Pedal Arm	1
6	Upright	1
7	Left Handlebar	1
8	Right Handlebar	1
9	Lower Pivoting Arm	2
10	Linkage	2
11	Pulley and Axle	1
12	Bearing (6003Z)	2
13	Bearing Washer (M17)	1
14	C Ring (17mm)	2
15	V-Ribbed Belt	1
16	Idler Arm	1
17	Idler Wheel	1
18	Idler Wheel Spacer (ø10.4 x ø16 x 16.5mm)	1
19	Tension Spring	1
20	Fan	1
21	Bearing (6800zz)	1
22	Bearing (6900zz)	1
23	Fan Axle	1
24	C Ring (10mm)	1
25	Resistance Hub	1
26	Eye Bolt (M6 x 1 x 40mm)	2
27	Tension Bracket	2
28	Nut (M6 x 1)	2
29	Tension Strap	1
30	Tension Spring	1
31	Tension Cable	1
32	Motor	1
33	Meter	1
34	Sensor Connection Wire	1
35	Sensor Wire	1
36	Magnet	1
37	Left Fan Cage	1
38	Right Fan Cage	1
39	Left Chain Guard	1
40	Right Chain Guard	1
41	Left Crank	1
42	Right Crank	1
43	Flange Bolt (M8 x 1.25 x 25mm)	2
44	Crank Cap	2
45	Left Pedal Shaft (9/16" - 20, Left Hand Threads)	1
46	Right Pedal Shaft (9/16" - 20, Right Hand Threads)	1
47	Pedal Arm Bushing	4
48	Large Washer (M8 x 32mm x 2mm thick)	4
49	Wave Washer (ø16.5 x ø22 x 0.4mm Thick)	4
50	Left Pedal Cap	1

## PARTS LIST

PART#	PART NAME	QTY
51	Right Pedal Cap	1
52	Round Plug (35mm)	2
53	Plastic Washer (M8 x ø18 x 2mm thick)	8
54	Round Plug (28.6mm)	4
55	Handlebar Bushing	4
56	Spacer	2
57	Large Washer (M16 x 0.5mm thick)	3
58	Dome Plug (38mm)	2
59	Foam Grip	2
60	Roller	2
61	Roller Spacer	4
62	Endcap (50.8mm)	2
63	Leveling Cap (50.8mm)	2
64	Carriage Bolt (M8 x 1.25 x 65mm)	4
65	Bolt, Button Head (M8 x 1.25 x 15mm)	4
66	Bolt, Button Head (M8 x 1.25 x 20mm)	4
67	Bolt, Button Head (M8 x 1.25 x 48mm)	4
68	Bolt, Button Head (M10 x 1.5 x 50mm)	2
69	Bolt, Round Head (M6 x 1 x 40mm)	4
70	Bolt, Round Head (M5 x 0.8 x 12mm)	1
71	Bolt, Flat Head (M8 x 1.25 x 20mm)	1
72	Bolt, Flat Head (M10 x 1.5 x 38mm)	1
73	Bolt, Hex Head (M6 x 1 x 36mm)	4
74	Screw, Round Head (M4 x 12mm)	10
75	Screw, Round Head (M4 x 25mm)	6
76	Screw, Round Head (M5 x 15mm)	11
77	Screw, Round Head (M5 x 0.8 x 15mm)	4
78	Screw, Round Head (M5 x 12mm)	4
79	Nylock Nut (M6 x 1)	4
80	Nylock Nut (M8 x 1.25)	4
81	Nylock Nut (M10 x 1.5)	2
82	Nylock Nut (M8 x 1.25 x 6mm thick)	1
83	Nylock Nut (M10 x 1.5 x 7mm thick)	1
84	Nylock Nut (3/8" - 26 x 9/32" thick)	2
85	Thin Nut (3/8" - 26 x 5/32" thick)	2
86	Acorn Nut (M6 x 1)	4
87	Acorn Nut (M8 x 1.25)	4
88	Arc Washer (M6)	4
89	Arc Washer (M8)	8
90	Lock Washer (M6)	4
91	Lock Washer (M8)	12
92	Warning Label	1
93	Wrench	1
94	Allen Wrench (6mm)	1
95	Manual	1
96	Nylock Nut (M5 x 0.8)	1
97	Washer (M5)	1
98	Control Wire	1
99	Lower Control Wire	1

**WARRANTY**

Stamina Products, Inc. warrants that this product will be free from defects in materials and workmanship under normal use, service and proper operation for a period of 90 days on the parts and one year on the frame from the date of the original purchase from an authorized retailer. **THIS WARRANTY SHALL NOT APPLY TO ANY PRODUCT WHICH HAS BEEN SUBJECT TO COMMERCIAL USE, ABUSE, MISUSE, ALTERATION OF ANY TYPE OR CAUSE OR TO ANY DEFECT OR DAMAGE CAUSED BY REPAIR, REPLACEMENT, SUBSTITUTION OR USE WITH PARTS OTHER THAN PARTS PROVIDED BY STAMINA PRODUCTS, INC.** Commercial use includes use of the product in athletic clubs, health clubs, spas, gymnasiums, exercise facilities, and other public or semipublic facilities whether or not the product's use is in furtherance of a profit making enterprise, and all other use which is not for personal, family, or household purposes.

To implement this limited warranty, send a written notice stating your name, date, and place of purchase and a brief description of the defect along with your receipt to **Stamina Products, Inc. P.O. Box 1071, Springfield Missouri, USA, 65801-1071**, or email us at **customerservice@staminaproducts.com**, or call us at **1-800-375-7520**. If the defect is covered under this limited warranty, you will be requested to return the product or part to us for free repair or replacement at our option. **NO ACTION FOR BREACH OF THIS LIMITED WARRANTY MAY BE COMMENCED MORE THAN ONE (1) YEAR AFTER THE DATE THE ALLEGED BREACH WAS OR SHOULD HAVE BEEN DISCOVERED. NO ACTION FOR BREACH OF ANY IMPLIED WARRANTY MAY BE COMMENCED MORE THAN ONE (1) YEAR AFTER DELIVERY OF THE PRODUCT TO THE PURCHASER.** This limited warranty is not transferable. **IF ANY PART OF THE PRODUCT IS NOT IN COMPLIANCE WITH THIS LIMITED WARRANTY OR ANY IMPLIED WARRANTY, THE REMEDY OF REPAIR OR REPLACEMENT IS THE EXCLUSIVE REMEDY AVAILABLE TO YOU.** In the event that the purchaser makes any claim under this limited warranty or any implied warranty, the Warrantor reserves the right to require the product to be returned for inspection, at the purchaser's expense, to the Warrantor's premises in Springfield, Missouri. Return of the enclosed warranty registration card is not required for warranty coverage, but is merely a way of establishing the date and place of purchase.

Stamina Products, Inc. **SHALL NOT BE LIABLE FOR THE LOSS OF USE OF ANY PRODUCT, LOSS OF TIME, INCONVENIENCE, COMMERCIAL LOSS OR ANY OTHER INDIRECT, CONSEQUENTIAL, SPECIAL OR INCIDENTAL DAMAGES DUE TO BREACH OF THE ABOVE WARRANTY OR ANY IMPLIED WARRANTY.**

This limited warranty is the only written or express warranty given by Stamina Products, Inc. This warranty gives you specific legal rights, and you may also have other legal rights which vary from state to state. **ANY OTHER RIGHT WHICH YOU MAY HAVE, INCLUDING ANY IMPLIED WARRANTY OR MERCHANTABILITY OR FITNESS FOR A PARTICULAR PURPOSE, IS LIMITED IN DURATION TO THE DURATION OF THIS WARRANTY.**

The laws in some jurisdictions restrict the rights of manufacturers and distributors of consumer goods to disclaim or limit implied warranties and consequential and incidental damages with respect thereto. If any such law is found to be applicable, the foregoing disclaimers and limitations of and on implied warranties and consequential and incidental damages with respect thereto shall be disregarded and shall be deemed not to have been made to the extent necessary to comply with such legal restriction.

---

## NOTES



