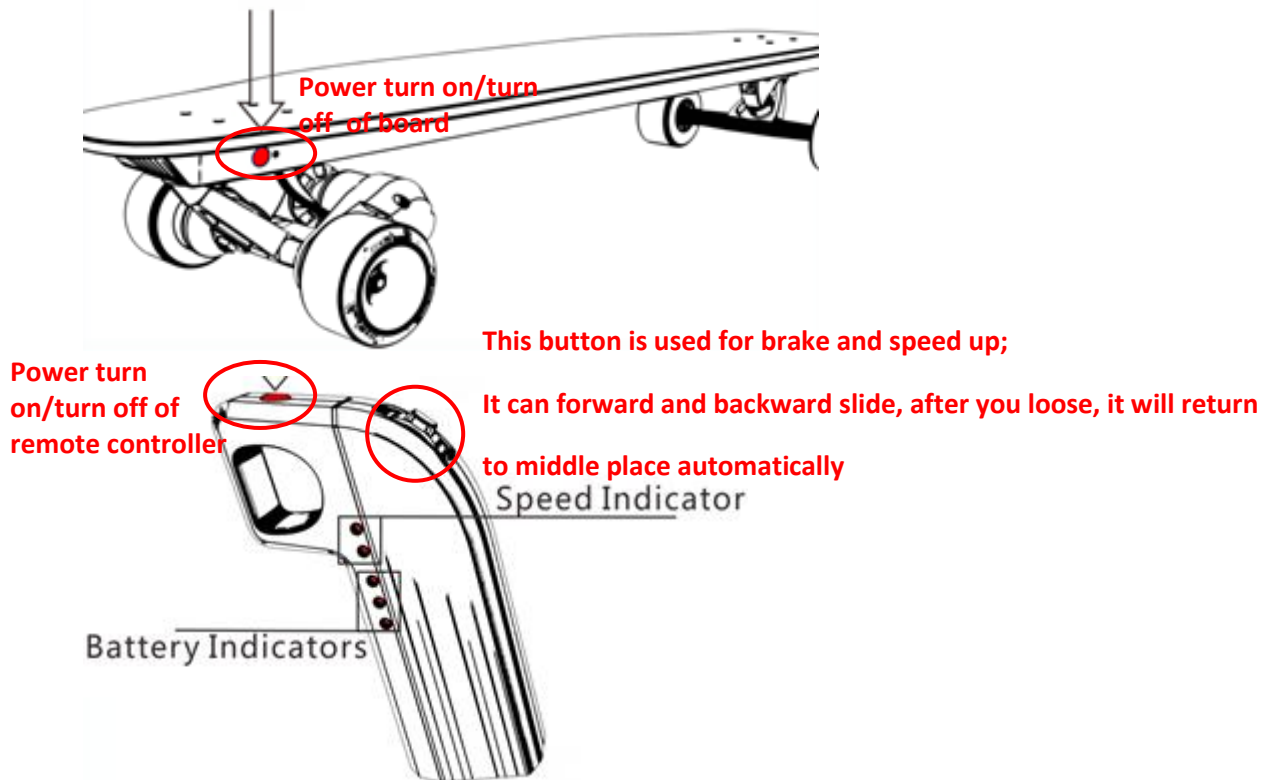


USER MANUAL

PART 1: Please know

- 1.The skateboard needn't any installation and assemble by yourself;
- 2.Know the function of buttons of skateboard



- 3.The press divide to short-time press and long-time press, short-time press means just press one time, the below explanation we will call "press"; long-time press is keeping pressing about 1-2 seconds;

(1)For the press of red "power button" of board, just only has short-time press;

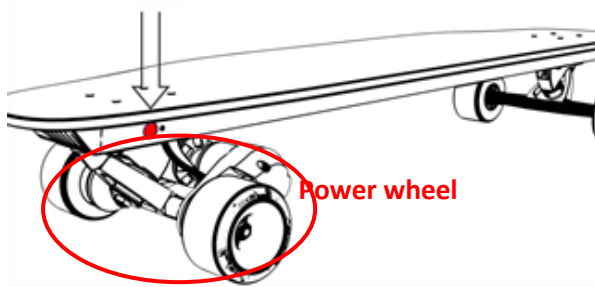
(2)For the press of red "power button" of remote controller, there are two kind of press, short-time and long-time press;

①Long-time press of red "power button" of remote controller is used for power turn on / turn off ;

②At the beginning of turning on the power of remote controller, short-time press of red "power button" of remote controller is used to change of "slow speed" and "high speed" mode; **(it means if want to change "slow speed" and "high speed" mode after slide some time, you need restart remote controller(turn off and turn on power , then can do it.)**

③After you slide the skateboard in some distance, short-time press of red "power button" of remote controller is used for reverse the forwarder direction; **(It means if want to reverse direction, you need slide some time, then can do it.)**

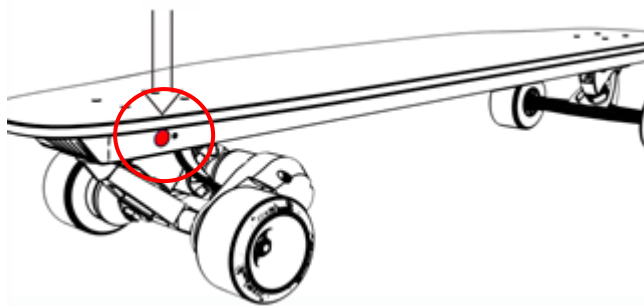
4. When you operate the remote controller, please note that the remote controller need aim right at power wheel of board, ensure the signal receive well;



PART 2: How to use ?

When you begin to use,

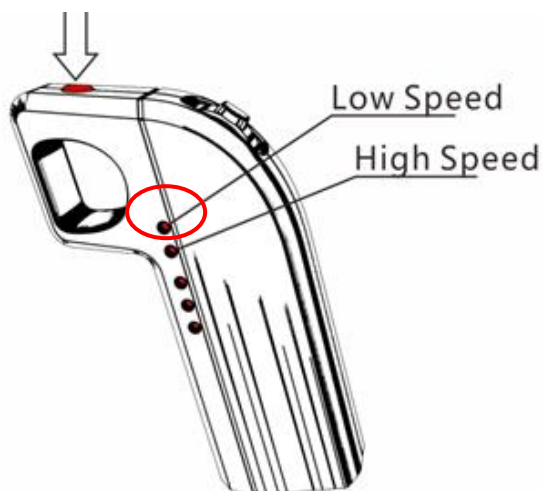
First: press the “red power button” to turn on the power of board;



Second: keep pressing (about 1-2 seconds) the “red power button” to turn on the power of remote controller ;



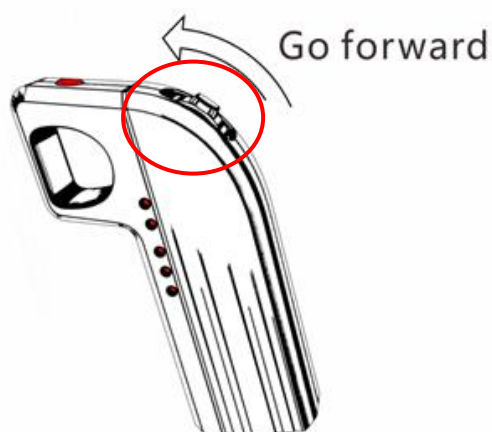
Third: the indicator of “low speed” will light green, it means the skateboard is under “slow speed” mode; “low speed” model is the system default, every start of remote controller is the same;



What is the “slow speed” mode and “high speed” mode? How to change each?

1. The maximum speed of “slow speed” mode and “high speed” mode is the same, their only difference is the “slow speed” mode speed up is slow, “high speed” mode speed up is quick;
2. At the beginning of turning on the power of remote controller, you can change the “low speed” to “high speed” by show-time press of red “power button” of remote controller .Once after slide some time, if you want to change mutually , you need restart remote controller(turn off and turn on power , then can do it.
3. Please note: when you turn off power, the speed must reduce to “0”, the skateboard need stop. About how to reduce the speed, the below fifth step. we usually call it is “normal state”.

Forth: slide the button to forward direction and keep holding, the speed will speed up slowly to maximum, if you loose the slide button, the speed will reduce to zero and stop;



Fifth: when you meet red traffic light or there is another thing need to stop skateboard, there are two ways. One is operation as above forth step(loose the slide button, the speed will reduce to zero and stop), the other way is sliding the button to backward direction to brake, the skateboard will stop;

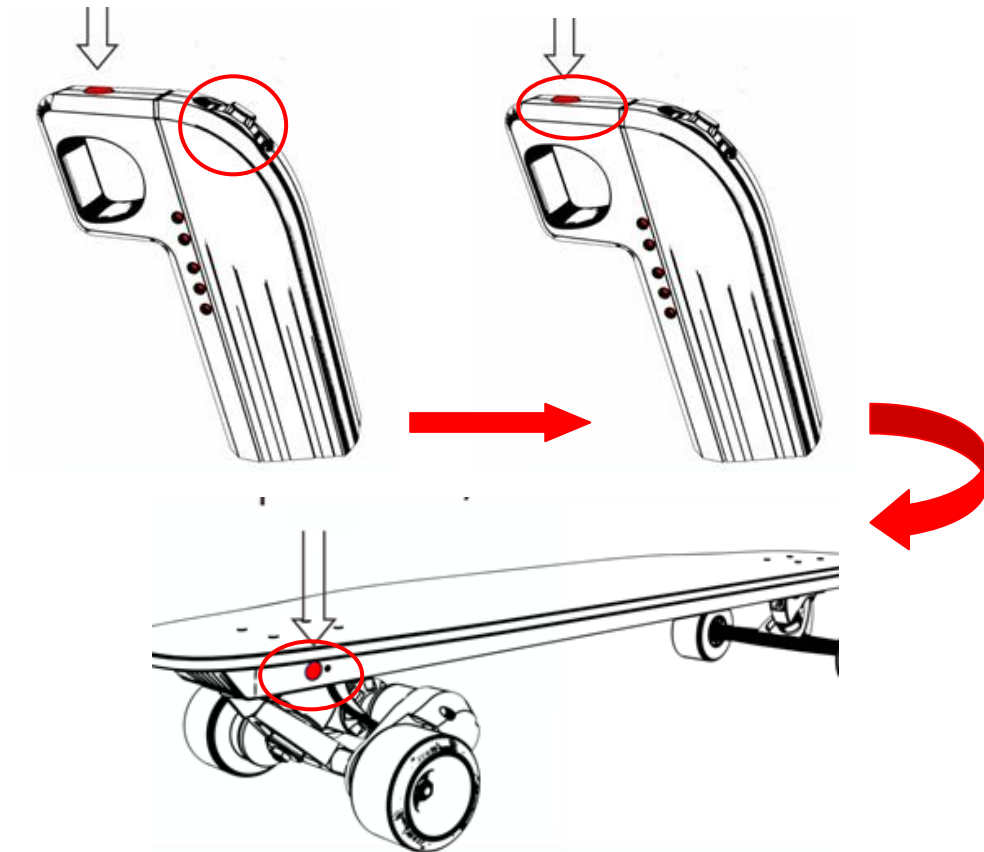


Note: the only difference of these two stopping way is brake need less time ,but loose slide button to middle place need speed reduce to “zero”:

Sixth: After you slide the skateboard in some distance, if you want to reverse the forwarder direction , please reduce the speed, make skateboard work under “normal state”, then short-time press of red “power button” of remote controller to reverse direction of skatebpard;



Seventh: If you want to turn off the skateboard , you need loose the slide button, it will return to middle place automatically, when the speed reduce to zero, the skateboard stop, then keep pressing 1-2 seconds of “red power button” to turn off remote controller , finally press the “red power button” to turn off the board ;



PART 3: How to climb hill or mountain?

In fact, this kind of electric skateboard is usually used in flat road. There is special skateboard what is used for climb hill or mountain.

Of course, it is according to the slope of hill and the weight of operator (within 130kg). More slope and more heavy is more difficult to climb.

Before climb hills, need keep the skateboard working under “high speed” mode for some time, then there is enough power to climb up the hill. It can't climb up the hill at the beginning of turn on the skateboard.