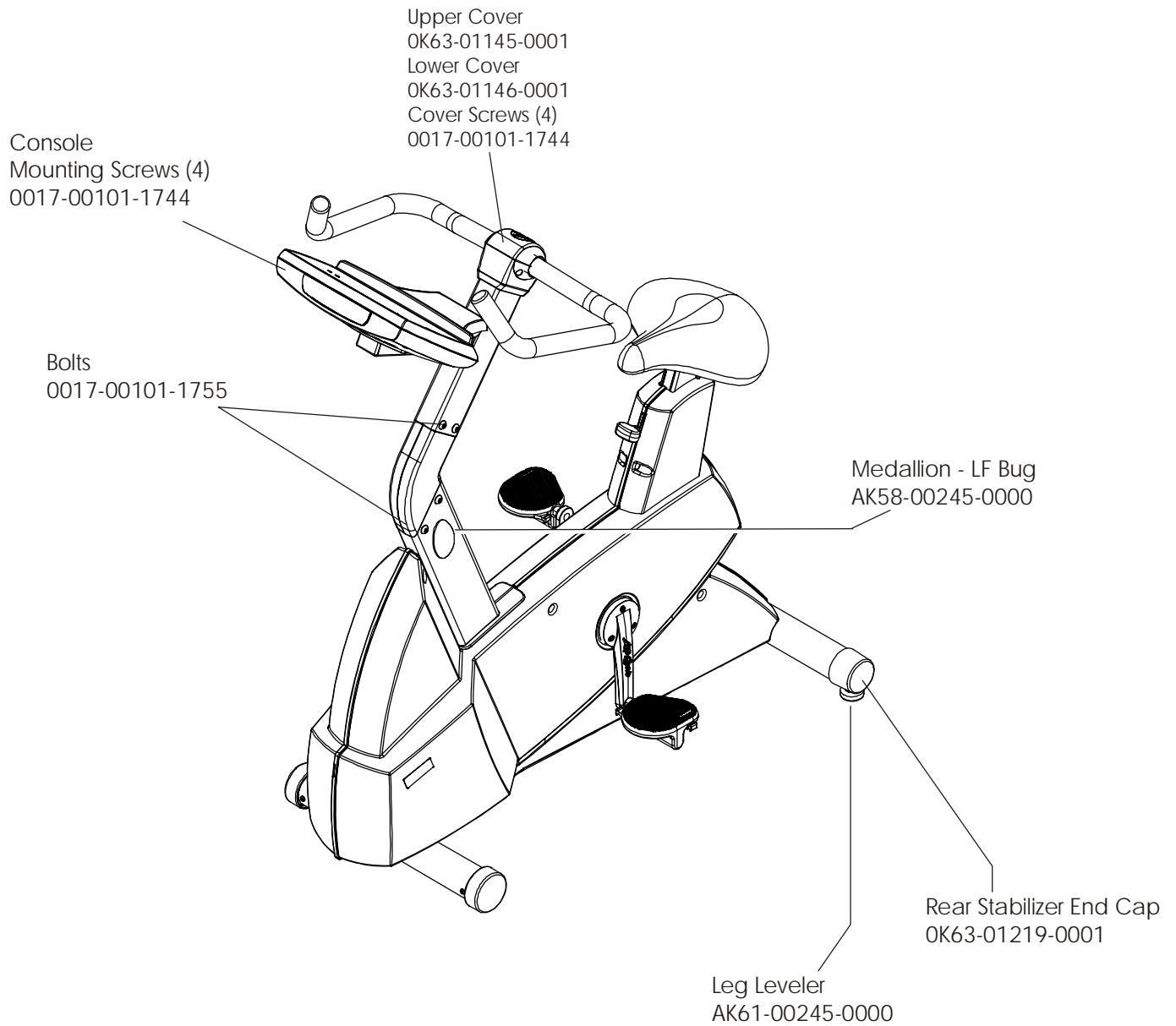
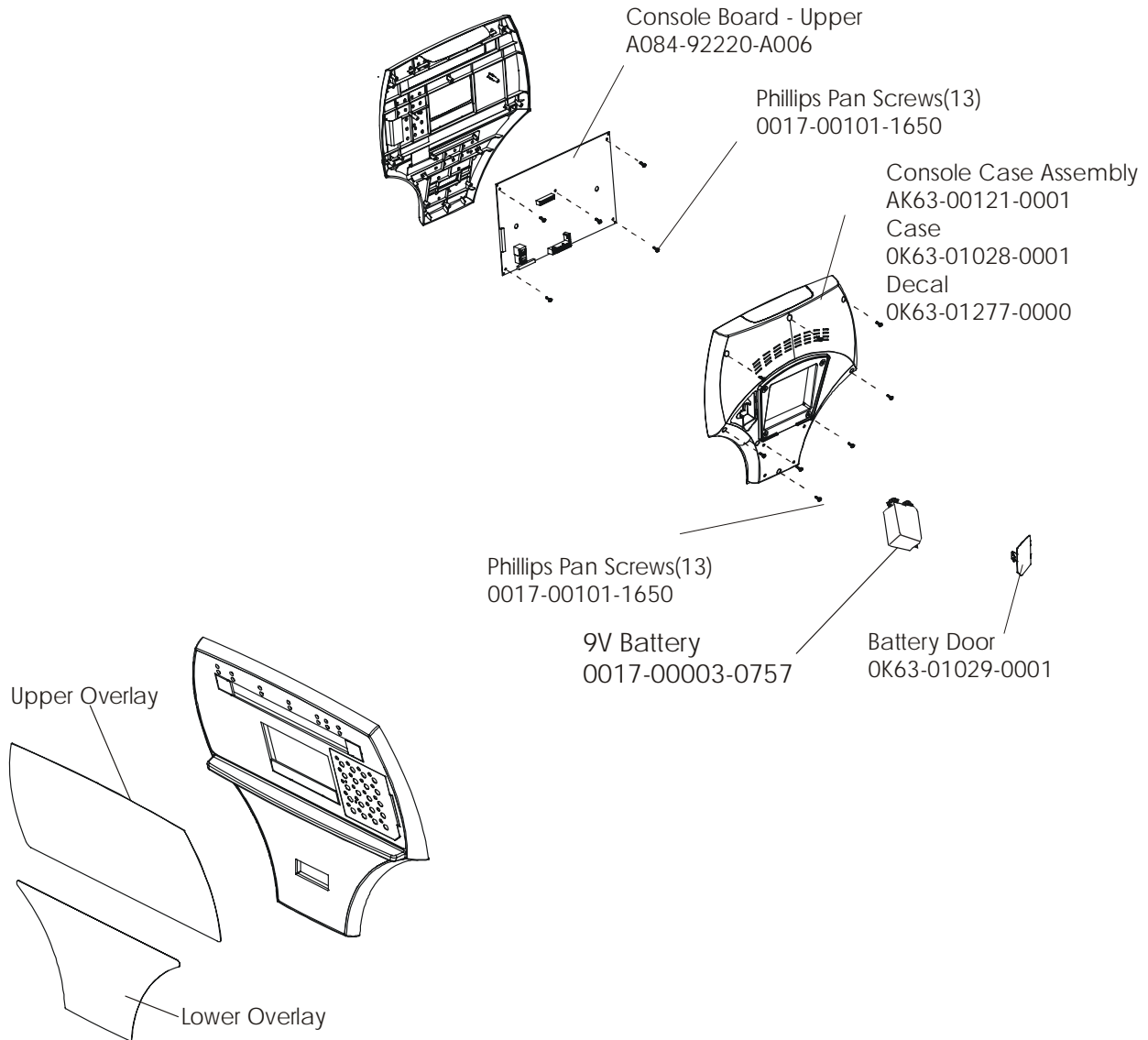


**Life Cycle 90C**  
**General Assembly**

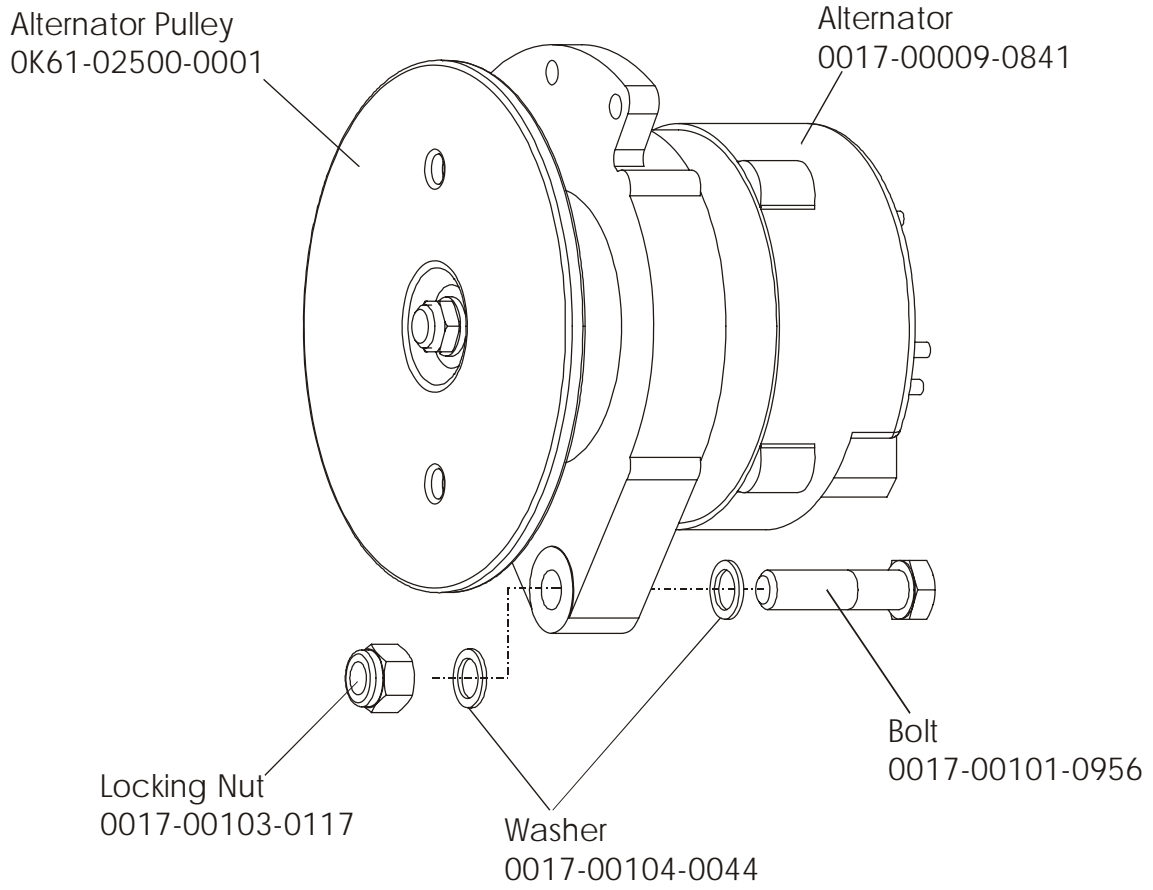
**90C-0XXX-01**  
**S/N LCA100001**



| Description       | Part No.        |
|-------------------|-----------------|
| Polar Upgrade Kit | GK63-00002-0002 |
| Accessory Tray    | GK63-00002-0004 |

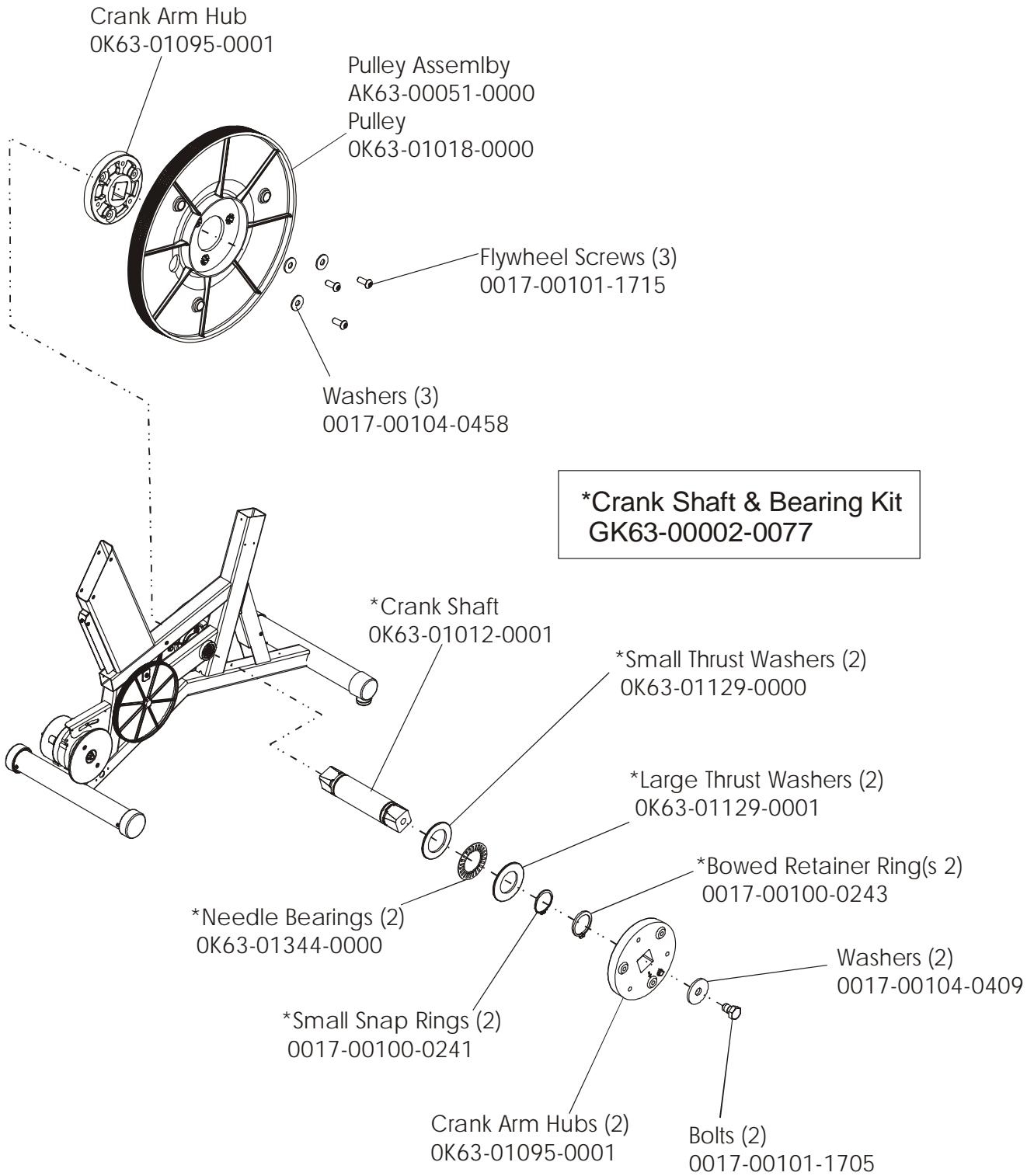


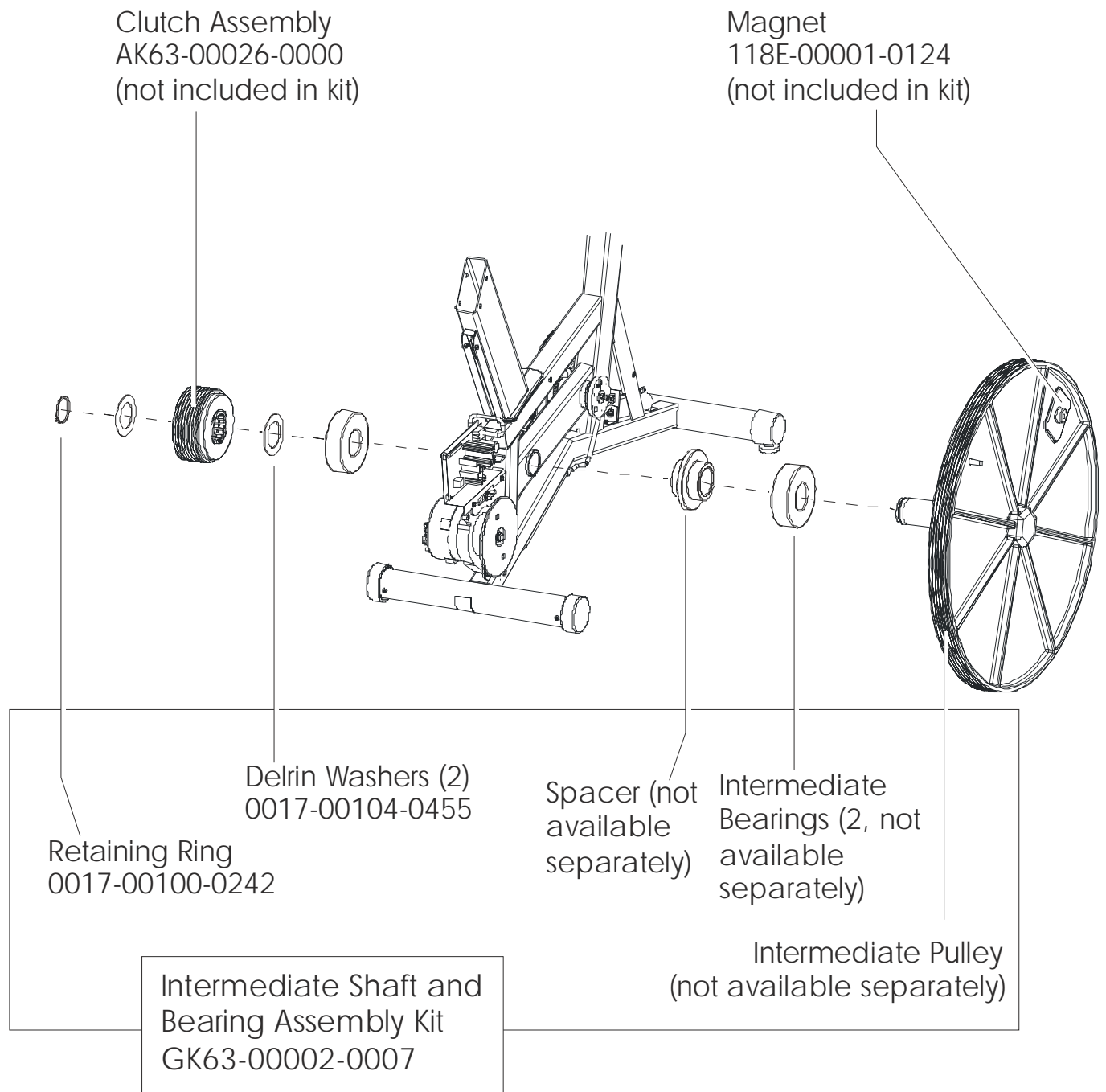
| <b>Console Assembly</b> | <b>Overlay Bezel</b>    |
|-------------------------|-------------------------|
| AK63-00162-0001 Eng Met | AK63-00167-0001 Eng Met |
| AK63-00162-0003 Ger Met | AK63-00167-0003 Ger Met |
| AK63-00162-0004 Spn Met | AK63-00167-0004 Spn Met |
| AK63-00162-0007 Frn Met | AK63-00167-0007 Frn Met |
| AK63-00162-0008 Itl Met | AK63-00167-0008 Itl Met |
| AK63-00162-0009 Dut Met | AK63-00167-0009 Dut Met |
| AK63-00162-0010 Por Met | AK63-00167-0010 Por Met |



**Life Cycle 90C**  
**Crank Shaft and Bearings**

**90C-0XXX-01**  
**S/N LCA100001**

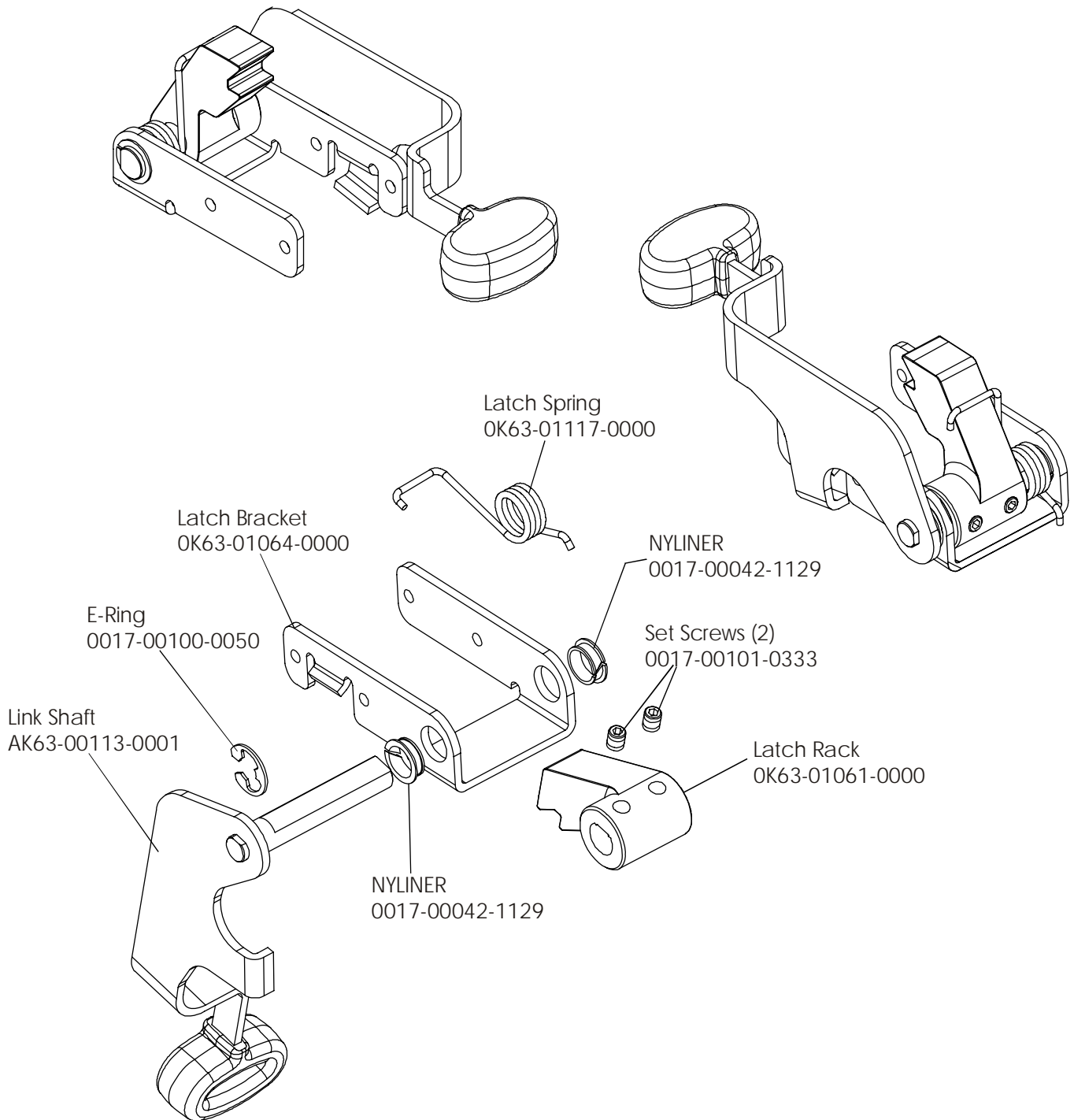


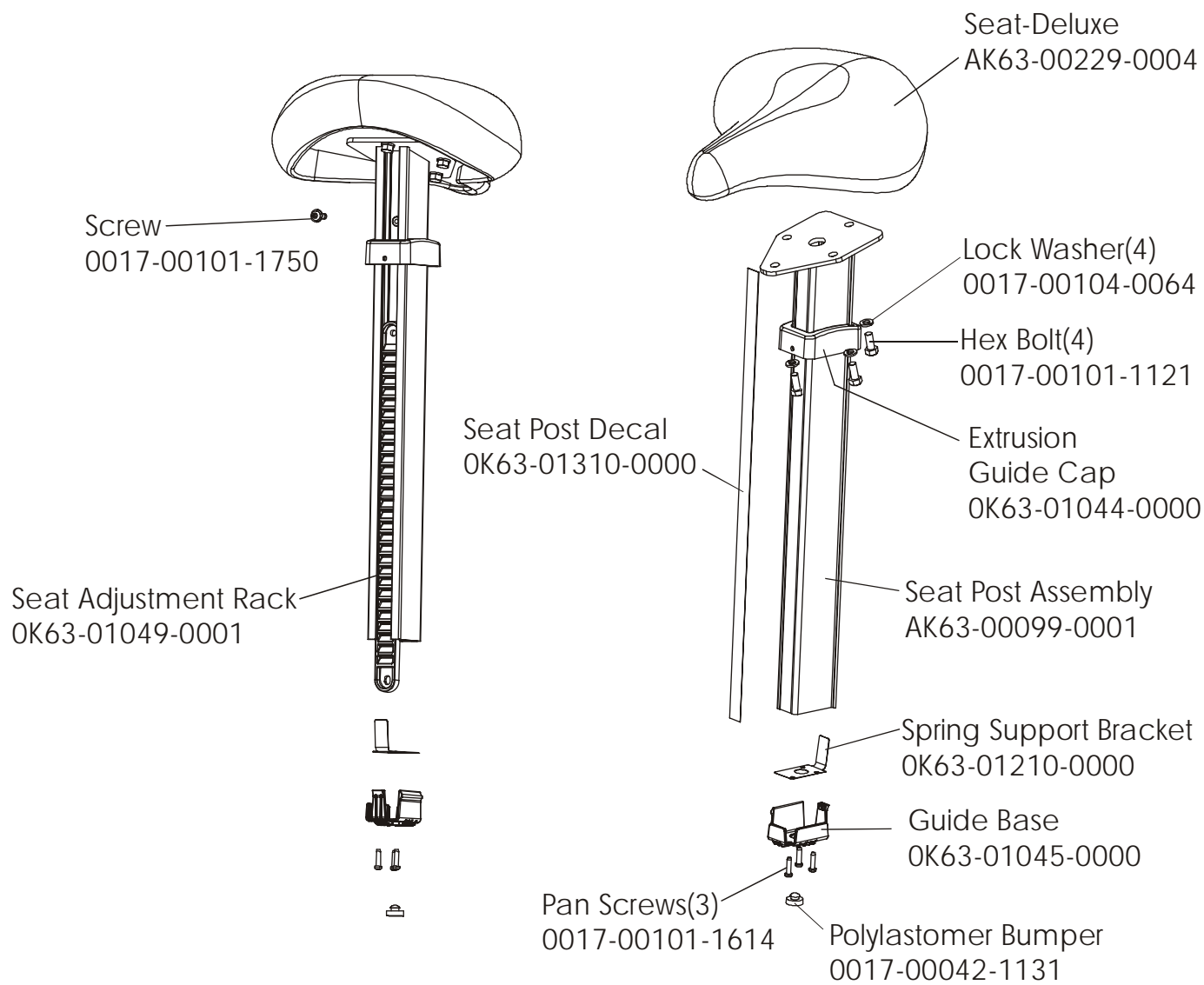


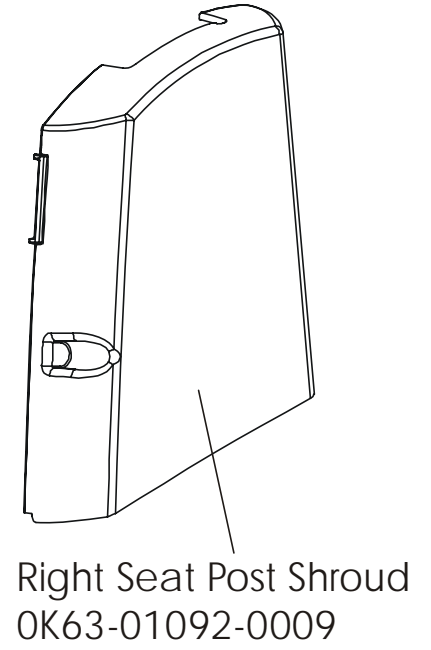
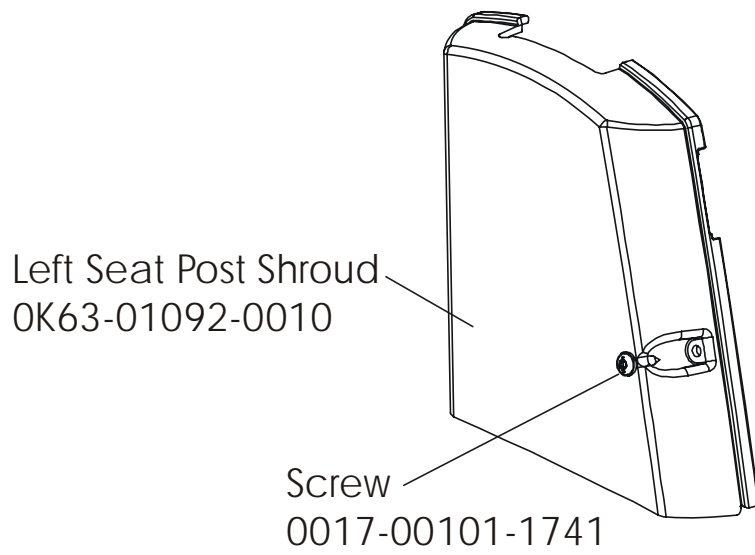
**Life Cycle 90C**  
**Seat Latch Assembly**

**90C-0XXX-01**  
**S/N LCA100001**

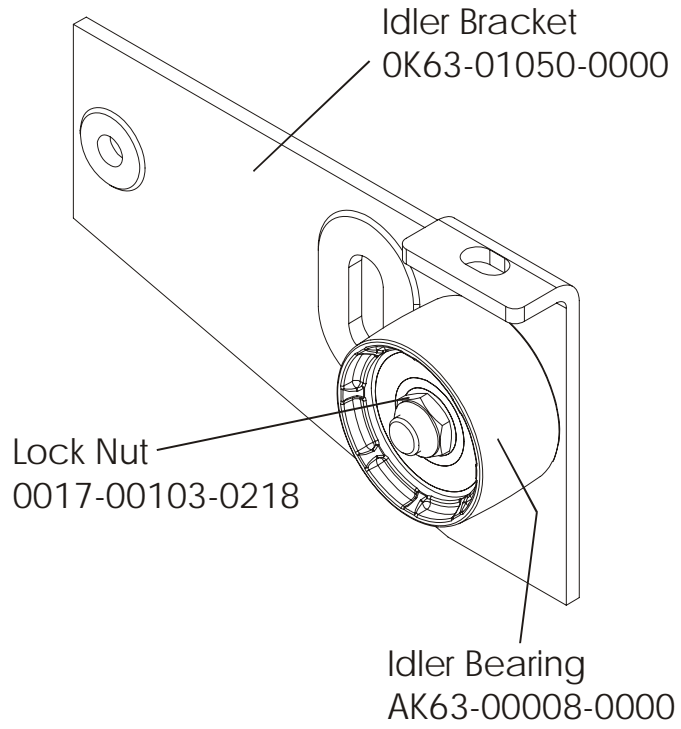
Seat Latch Assembly  
AK63-00043-0001

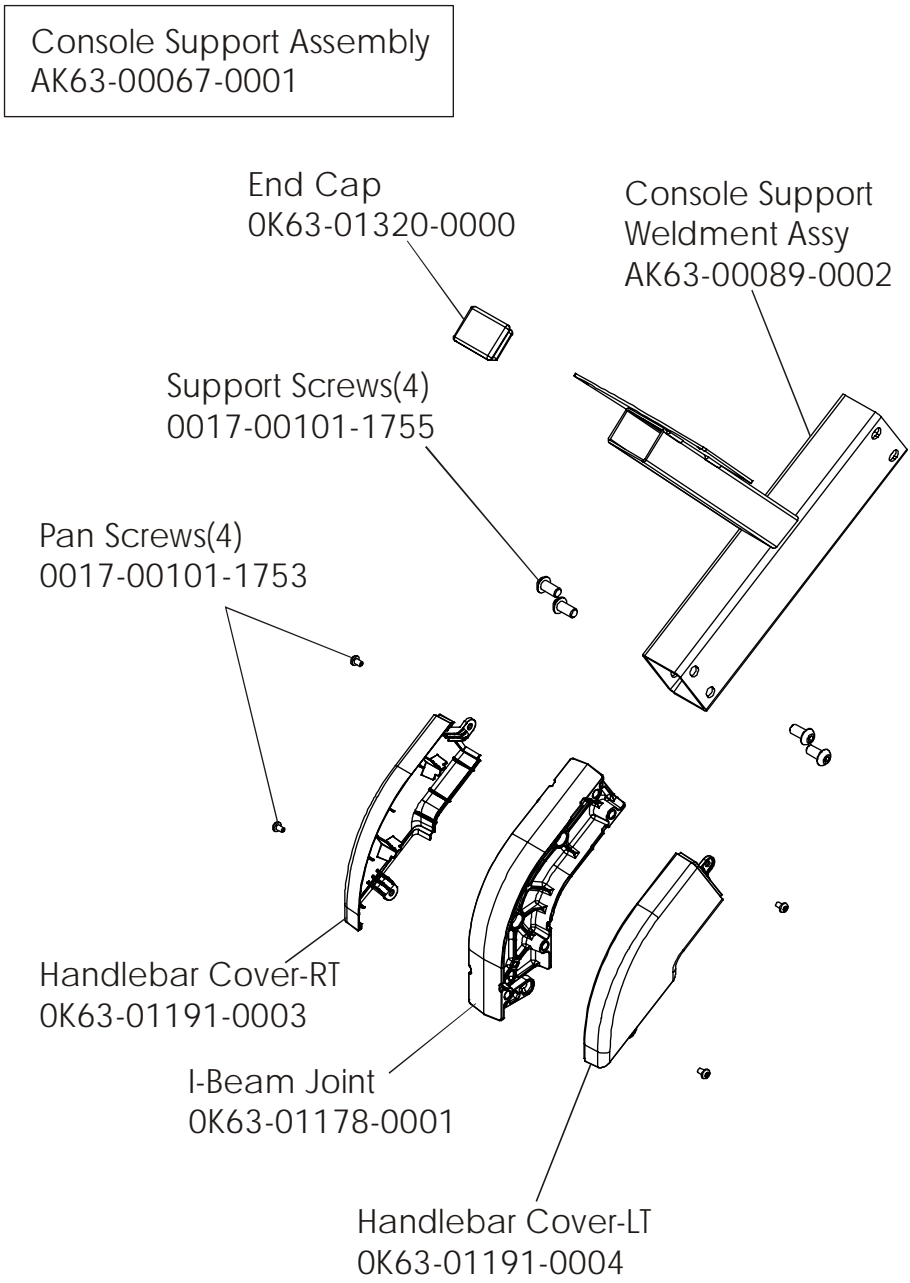


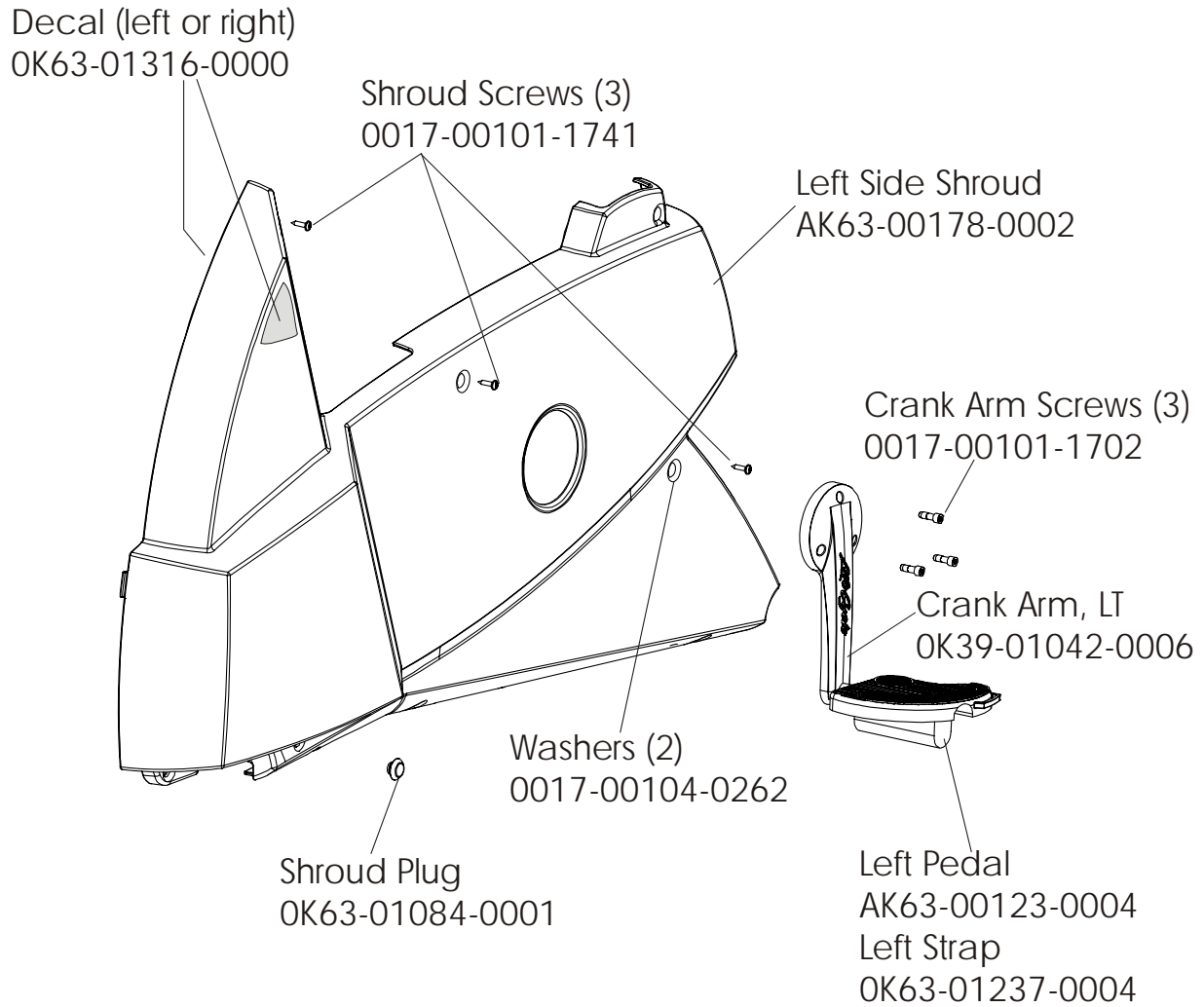


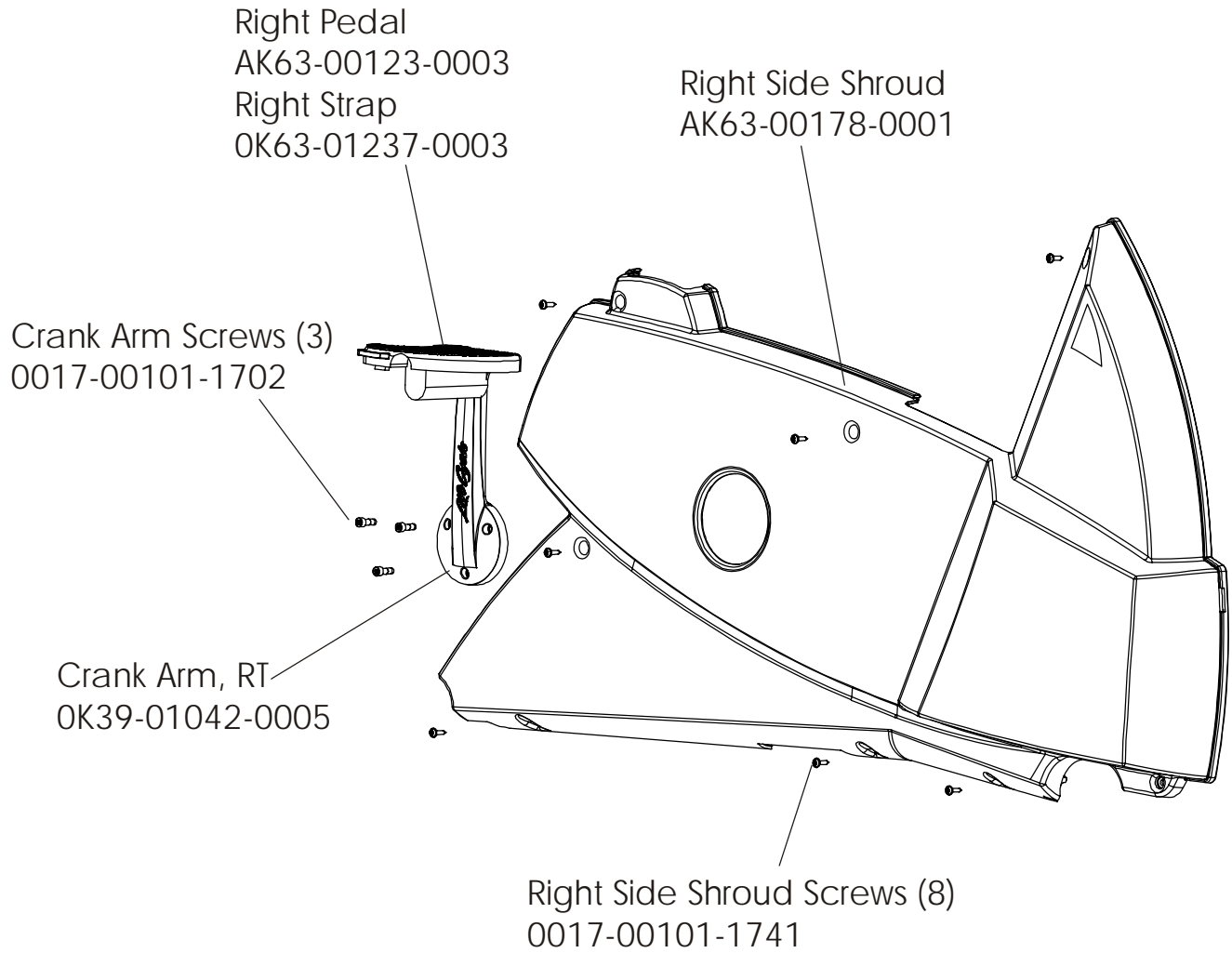


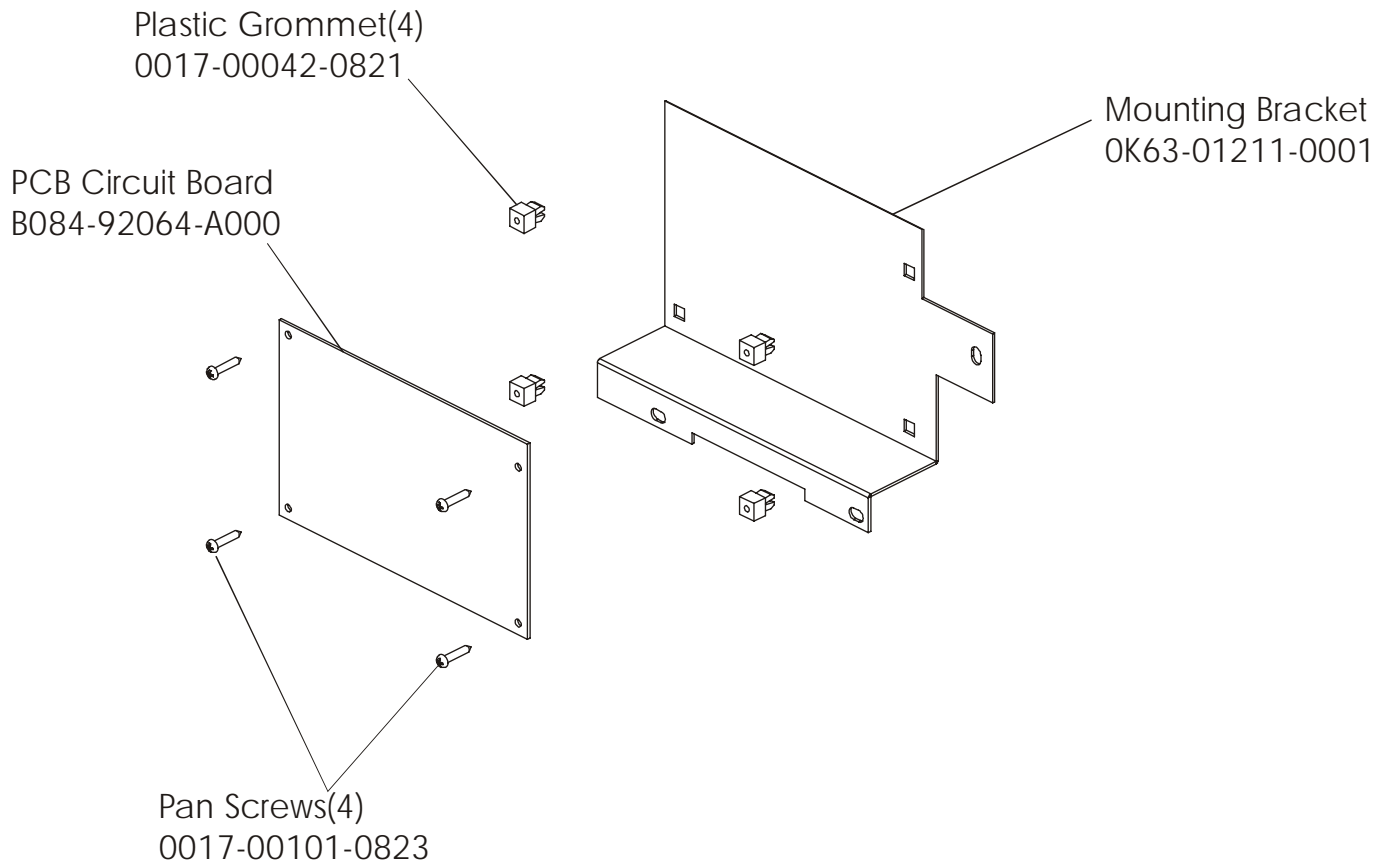




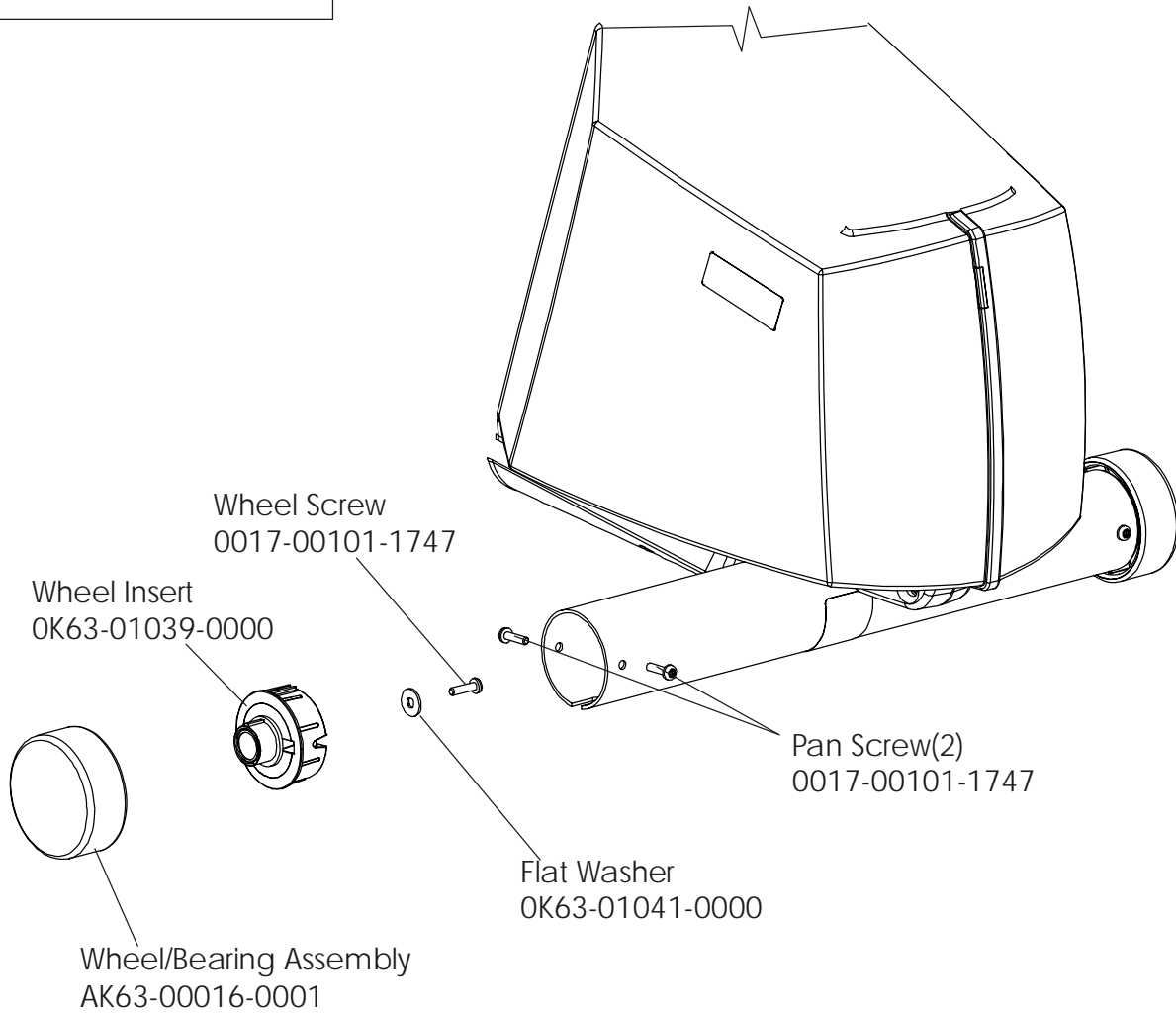




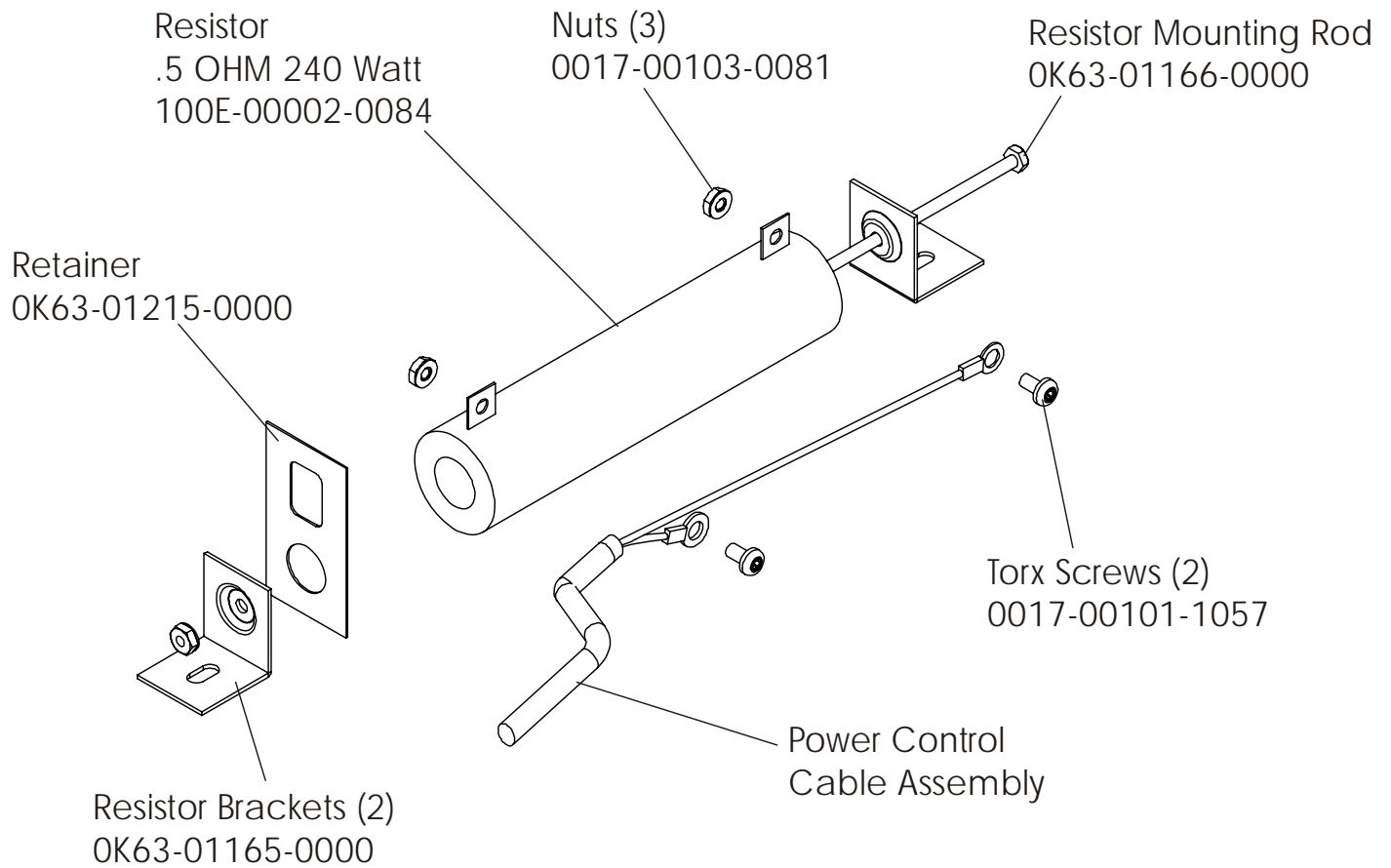




Front Wheel Assembly  
AK63-00017-0001



Resistor Assembly  
AK63-00114-0000



Handlebar Assembly  
AK63-00101-0001

