

IPOD-EL2IRE

User's Manual

Version 1.3.3

Welcome

Thank you for purchasing our Network camera!

This user's manual is designed to be a reference tool for your system.

Please read the following safeguard and warnings carefully before you use this series product!

Please keep this user's manual well for future reference!

Important Safeguards and Warnings

1 . Electrical safety

All installation and operation here should conform to your local electrical safety codes.

The power shall conform to the requirement in the SELV (Safety Extra Low Voltage) and the Limited power source is rated 12V DC or 24V AC in the IEC60950-1. (Refer to general introduction)

Please note: Do not connect two power supplying sources to the device at the same time; it may result in device damage! The product must be grounded to reduce the risk of electronic shock.

We assume no liability or responsibility for all the fires or electrical shock caused by improper handling or installation.

We are not liable for any problems caused by unauthorized modification or attempted repair.

2 . Transportation security

Heavy stress, violent vibration or water splash are not allowed during transportation, storage and installation.

3 . Installation

Do not apply power to the camera before completing installation.

Please install the proper power cut-off device during the installation connection.

Always follow the instruction guide the manufacturer recommended.

4 . Qualified engineers needed

All the examination and repair work should be done by the qualified service engineers.

We are not liable for any problems caused by unauthorized modifications or attempted repair.

5 . Environment

This series network camera should be installed in a cool, dry place away from direct sunlight, inflammable, explosive substances and etc.

Please keep it away from the electromagnetic radiation object and environment.

Please make sure the CCD (CMOS) component is out of the radiation of the laser beam device.

Otherwise it may result in CCD (CMOS) optical component damage.

Please keep the sound ventilation.

Do not allow the water and other liquid falling into the camera.

Thunder-proof device is recommended to be adopted to better prevent thunder.

The grounding studs of the product are recommended to be grounded to further enhance the reliability of the camera.

6. Daily Maintenance

Please shut down the device and then unplug the power cable before you begin daily maintenance work.

Do not touch the CCD (CMOS) optic component. You can use the blower to clean the dust on the lens surface.

Always use the dry soft cloth to clean the device. If there is too much dust, please use the water to dilute the mild detergent first and then use it to clean the device. Finally use the dry cloth to clean the device.

Please put the dustproof cap to protect the CCD (CMOS) component when you do not use the camera. Dome enclosure is the optical component, do not touch the enclosure when you are installing the device or clean the enclosure when you are doing maintenance work. Please use professional optical clean method to clean the enclosure. Improper enclosure clean method (such as use cloth) may result in poor IR effect of camera with IR function.

7. Accessories

Be sure to use all the accessories recommended by manufacturer.

Before installation, please open the package and check all the components are included.

Contact your local retailer ASAP if something is broken in your package.

Accessory Name	Amount
Network Camera Unit	1
Quick Start Guide	1
Installation Accessories Bag	1
CD	1
Warranty Card and Certificate	1

Table of Contents

1	General Introduction	1
1.1	Overview	1
1.2	Features	1
1.3	Specifications	2
2	Structure	10
2.1	Components	10
2.2	Framework and Dimension	11
3	Device Installation	14
3.1	Installation Steps for Metal Dome	14
3.2	Installation Steps for Plastic Dome	15
4	Quick Configuration Tool	17
4.1	Overview	17
4.2	Operation	17
5	Web Operation	19
5.1	Network Connection	19
5.2	Login and Main Interface	19
6	FAQ	21
	Appendix Toxic or Hazardous Materials or Elements	22

1 General Introduction

1.1 Overview

This series network camera integrates the traditional camera and network video technology. It adopts video data collection, transmission together. It can connect to the network directly without any auxiliary device.

This series network camera uses standard H.264 video compression technology, which maximally guarantees the video quality.

It supports the IR night vision function. In the night environments, the device can use the IR light to highlight the object which is suitable for the surveillance function in the low illumination environments. The waterproof design conforms to the IP 66 level. It has the sound waterproof function suitable for use in the outdoor environments.

It can be used alone or used in a network area. When it is used lonely, you can connect it to the network and then use a network client-end. Due to its multiple functions and various uses, this series network camera is widely used in many environments such office, bank, road monitor and etc.

1.2 Features

User Management	<ul style="list-style-type: none">● Different user rights for each group, one user belongs to one group.● The user right shall not exceed the group right.
Storage Function	<ul style="list-style-type: none">● Support central server backup function in accordance with your configuration and setup in alarm or schedule setting● Support record via Web and the recorded file are storage in the client-end PC.● Support network storage function such as FTP.
Network Monitor	<ul style="list-style-type: none">● Network camera supports one-channel video data transmit to network terminal and then decode. Delaying time is within 270ms (network bandwidth support needed)● Max supports 20 connections.● Adopt the following video transmission protocol: HTTP, TCP, UDP, MULTICAST, RTP/RTCP, RTSP and etc.● Support web access.
Network Management	<ul style="list-style-type: none">● Realize network camera configuration and management via Ethernet.● Support device management via web or client-end.
Power	<ul style="list-style-type: none">● External power adapter DC 12V.● Some series support PoE. <p>Warning! Do not connect these two power supplying sources to the device at the same time; it may result in device damage!</p>
Assistant Function	<ul style="list-style-type: none">● Log function● Support system resource information and running status real-time display.● Day/Night mode auto switch.● Support picture parameter setup such as electronic shutter and gain setup.● Support motion detect.● Backlight compensation: screen auto split to realize backlight compensation to adjust the bright.● Support video watermark function to avoid vicious video modification.● Built-in IR light. Support IR night vision.● The enclosure conforms to the IP 66 protection. Has the waterproof function.

1.3 Specifications

Please refer to the following sheet for network camera performance specification.

Parameter		Model			
System	Main Processor	High performance DSP			
	OS	Embedded LINUX			
	System Resources	Support real-time network, local record, and remote operation at the same time.			
	User Interface	Remote operation interface such as WEB, DSS, PSS			
	System Status	Bit stream statistics, log, and software version.			
Video Parameter	Image Sensor	1/4-inch CMOS			
	Pixel	1280(H)*720(V)			
	Day/night	Support day/night IR-CUT switch			
	Gain Control	Fixed/Auto			
	White Balance	Manual/Auto			
	BLC	Off/BLC/WDR (1-100 adjustable)/HLC(anti-flicker is outdoor and is valid only when exposure mode is auto with range 1-100)			
	Exposure Mode	Manual/Auto It ranges from 1/3 to 1/10000.			
	Video Compression Standard	H.264/H.264B/MJPEG			
	Video Frame Rate	PAL: Main stream (1280*720@25fps), extra stream (704*576@25fps)			
		NTSC: Main stream (1280*720@30fps), extra stream (704*480@30fps)			
	Video Bit Rate	H.264H: 16Kbps-8192Kbps MJPEG: adjustable and bit rate is adjustable. Support customized setup.			
	Video Flip	Support mirror. Support flip function.			
	Snapshot	Max 1f/s snapshot. File extension name is JPEG.			
	Privacy Mask	Supports max 4 privacy mask zones			
	Video Setup	Support parameter setup such as bright, contrast.			
Video Information	Channel title, time title, motion detect, tampering.				
Lens	2.8mm, 3.6mm, 6mm, 8mm. Fixed focus.				
Lens Interface	M12. Lens is the default accessories				
Video	Motion Detect	396 (18*22) detection zones; sensitivity level ranges from 0 to 100; area threshold ranges from 0 to 100. Activation event: video storage, image snapshot, log, email function and etc.			
Record	Record Priority	Manual >Video detect>Schedule			

Network	Wire Network	1-ch 10/100 Base-T Ethernet			
	Network Protocol	HTTP, TCP/IP, ARP, IGMP, ICMP, RTSP, RTP, UDP, RTCP, SMTP, FTP, DHCP, DNS, DDNS, PPPOE, UPNP, NTP			
	Remote Operation	Monitor, system setup, file download, log information, maintenance, upgrade and etc			
	IR light	IR light 20M.			
General Parameter	Power	DC12V power and PoE.	DC12V		
	Power Consumption	3W MAX			
	Working Temperature	-30°C ~ +60°C			
	Working Humidity	≤95%			
	Dimensions(mm)	Φ113.6×85.8	Φ93.4×80.5	Φ113.6×85.8	Φ93.4×80.5
	Weight	0.27kg	0.35kg	0.27kg	0.35kg
	Installation	Ceiling and wall mount			

Parameter		Model	IPOD-EL2IRE			
		System	Main Processor	High performance DSP		
		OS	Embedded LINUX			
		System Resources	Support real-time network, local record, and remote operation at the same time.			
		User Interface	Remote operation interface such as WEB, DSS, PSS			
		System Status	Bit stream statistics, log, and software version.			
Video Parameter	Image Sensor	1/3-inch CMOS				
	Pixel	2048(H)*1536(V)				
	Day/night	Support day/night mode switch				
	Gain Control	Fixed/Auto				
	White Balance	Manual/Auto				
	BLC	On/Off				
	Electronic Shutter	Manual/Auto/Low noise/Low-motion blur It ranges from 1/3 to 1/100000.				
	Video Compression Standard	H.264/H.264B/H.264H/MJPEG				
	Video Frame Rate	PAL: Main stream (1920*1080@25fps), extra stream (704*576@25fps)				
		NTSC: Main stream (1920*1080@30fps), extra stream (704*480@30fps)				
Video Bit Rate	H.264H: 16Kbps-8192Kbps MJPEG: adjustable and bit rate is adjustable. Support customized setup.					
Video Flip	Support mirror. Support flip function.					
Snapshot	Max 1f/s snapshot. File extension name is JPEG.					

	Privacy Mask	Supports max 4 privacy mask zones			
	Video Setup	Support parameter setup such as bright, contrast.			
	Video Information	Channel title, time title, motion detect, tampering.			
	Lens	2.8mm, 3.6mm, 6mm, 8mm. Fixed focus.			
	Lens Interface	M12. Lens is the default accessories			
Video	Motion Detect	396 (18*22) detection zones; sensitivity level ranges from 0 to 100; area threshold ranges from 0 to 100. Activation event: video storage, image snapshot, log, email function and etc.			
Record and Backup	Record Priority	Manual >Video detect>Schedule			
	Storage Management	Support NAS storage			
Network	Wire Network	1-ch 10/100M Ethernet, RJ45 port			
	Network Protocol	HTTP, TCP, ARP, RTSP, RTP, UDP, RTCP, SMTP, FTP, DHCP, DNS, DDNS, PPPOE, IPv4/v6, QoS, UPnP, NTP, HTTPS, Bonjour			
	Remote Operation	Monitor, system setup, file download, log information, maintenance, upgrade and etc			
	Platform Interface Standard	Support ONVIF			
General Parameter	IR light	IR light 20M.			
	Power	DC12V power and PoE.	DC 12V		
	Power Consumption	4.8W MAX			
	Working Temperature	-30℃~+60℃			
	Working Humidify	≤95%			
	Dimensions(mm)	Φ113.6×85.8	Φ93.4×80.5	Φ113.6×85.8	Φ93.4×80.5
	Weight	0.27kg	0.35kg	0.27kg	0.35kg
	Installation	Ceiling and wall mount			

Parameter	Model				
System	Main Processor	High performance DSP			
	OS	Embedded LINUX			
	System Resources	Support real-time network, local record, and remote operation at the same time.			
	User Interface	Remote operation interface such as WEB, DSS, PSS			
	System Status	Bit stream statistics, log, and software version.			
Video Parameter	Image Sensor	1/3-inch CMOS			
	Pixel	1280(H)*960(V)			
	Day/night	Support day/night mode switch			
	Gain Control	Fixed/Auto			

	White Balance	Manual/Auto			
	BLC	On/Off			
	Electronic Shutter	Manual/Auto/Low noise/Low motion blur It ranges from 1/3 to 1/100000.			
	Video Compression Standard	H.264/H.264B/H.264H/MJPEG			
	Video Frame Rate	PAL: Main stream (1280*960@25fps), extra stream (704*576@25fps)			
		NTSC: Main stream (1280*960@30fps), extra stream (704*480@30fps)			
	Video Bit Rate	H.264H: 16Kbps-8192Kbps MJPEG: adjustable and bit rate is adjustable. Support customized setup.			
	Video Flip	Support mirror. Support flip function.			
	Snapshot	Max 1f/s snapshot. File extension name is JPEG.			
	Privacy Mask	Supports max 4 privacy mask zones			
	Video Setup	Support parameter setup such as bright, contrast.			
	Video Information	Channel title, time title, motion detect, tampering.			
	Lens	2.8mm, 3.6mm, 6mm. Fixed focus.			
Lens Interface	M12. Lens is the default accessories				
Video	Motion Detect	396 (18*22) detection zones; sensitivity level ranges from 0 to 100; area threshold ranges from 0 to 100. Activation event: video storage, image snapshot, log, email function and etc.			
Record and Backup	Record Priority	Manual >Video detect>Schedule			
	Storage Management	Support ONVIF			
Network	Wire Network	1-ch 10/100 Base-T Ethernet			
	Network Protocol	HTTP, TCP, ARP, RTSP, RTP, UDP, RTCP, SMTP, FTP, DHCP, DNS, DDNS, PPPOE, IPv4/v6, QoS, UPnP, NTP, HTTPS, Bonjour			
	Remote Operation	Monitor, system setup, file download, log information, maintenance , upgrade and etc			
	Platform Interface Standard	Support ONVIF			
General Parameter	IR light	IR light 20M.			
	Power	DC12V power and PoE.	DC 12V		
	Power Consumption	4.8W MAX			
	Working Temperature	-30℃~+60℃			
	Working Humidify	≤95%			
	Dimensions(mm)	Φ113.6×85.8	Φ93.4×80.5	Φ113.6×85.8	Φ93.4×80.5
	Weight	0.27kg	0.35kg	0.27kg	0.35kg

	Installation	Ceiling and wall mount
--	---------------------	------------------------

Model			
Parameter			
System	Main Processor	High performance DSP	
	OS	Embedded LINUX	
	System Resources	Support real-time network, local record, and remote operation at the same time.	
	User Interface	Remote operation interface such as WEB, DSS, PSS	
	System Status	Bit stream statistics, log, and software version.	
Video Parameter	Image Sensor	1/3-inch CMOS	
	Pixel	1280(H)*960(V) 2048(H)*1536(V)	
	Day/night	Support day/night mode switch	
	Gain Control	Fixed/Auto	
	White Balance	Manual/Auto	
	BLC	On/Off	
	Exposure Mode	Manual/Auto/Low noise/Low motion blur It ranges from 1/3 to 1/100000.	
	Video Compression Standard	H.264/H.264H/MJPEG	
	Video Frame Rate	PAL: Main stream (1280*960@25fps) extra stream 1 (704*576@25fps) extra stream 2 (1280*720@8fps)	PAL: Main stream (2048*1536@20fps) extra stream 1 (704*576@20fps) extra stream 2 (1280*720@1fps) Main stream (1920*1080@25fps) extra stream 1 (704*576@25fps) extra stream 2 (1280*720@11fps)
		NTSC: Main stream (1280*960@30fps) extra stream 1 (704*480@30fps) extra stream 2 (1280*720@1fps)	NTSC: Main stream (2048*1536@20fps) extra stream 1 (704*480@20fps) extra stream 2 (1280*720@1fps) Main stream (1920*1080@30fps) extra stream 1 (704*480@30fps) extra stream 2 (1280*720@1fps)
		Note: Extra stream 2's actual frame depends on device max capacity set which can be adjusted within its range.	
	Video Bit Rate	H.264H: 40Kbps-8192Kbps MJPEG: 40Kbps-16384Kbps adjustable and bit rate is adjustable. Support customized setup.	
	Video Flip	Support mirror. Support flip function.	
	Snapshot	Max 1f/s snapshot. File extension name is JPEG.	
	Privacy Mask	Supports max 4 privacy mask zones	
Video Setup	Support parameter setup such as bright, contrast.		
Video Information	Channel title, time title, motion detect, tampering, overlay.		
Lens	2.8mm, 3.6mm, 6mm. Fixed focus.		
Lens Interface	M12. Lens is the default accessories		

Video	Motion Detect	396 (18*22) detection zones; sensitivity level ranges from 0 to 100; area threshold ranges from 0 to 100. Activation event: video storage, image snapshot, log, email function and etc.	
	Record Priority	Manual >Video detect>Schedule	
Record	Storage Management	NAS storage	
	Wire Network	1-ch 10/100 Base-T Ethernet	
Network	Network Protocol	HTTP, TCP/IP, ARP,IGMP, ICMP, RTSP, RTP,UDP, RTCP, SMTP, FTP, DHCP, DNS, DDNS, PPPOE, UPNP, NTP, QoS, 802.1x	
	Remote Operation	Monitor, system setup, file download, log information, maintenance , upgrade and etc	
	Protocol	PSIA, ONVIF	
General Parameter	IR light	IR light 20M.	
	Power	DC12V power and PoE. Note: 05 series does not support PoE.	
	Power Consumption	DC 12V 3.1W MAX	DC 12V 3.6W MAX
	Working Temperature	-30℃~+60℃	
	Working Humidify	≤95%	
	Dimensions(mm)	Φ113.6×85.8	
	Weight	0.27kg	
	Installation	Ceiling and wall mount	

Parameter		Model	
System	Main Processor	High performance DSP	
	OS	Embedded LINUX	
	System Resources	Support real-time network, local record, and remote operation at the same time.	
	User Interface	Remote operation interface such as WEB, DSS, PSS	
	System Status	Bit stream statistics, log, and software version.	
Video Parameter	Image Sensor	1/3-inch CMOS	
	Pixel	1280(H)*960(V)	2048(H)*1536(V)
	Day/night	Support day/night mode switch	
	Gain Control	Fixed/Auto	
	White Balance	Manual/Auto	
	BLC	On/Off	
	Exposure Mode	Manual/Auto/Low noise/Low motion blur It ranges from 1/3 to 1/100000.	
Video Compression Standard	H.264/H.264H/MJPEG		

	Video Frame Rate	<p>PAL: Main stream (1280*960@25fps) extra stream 1 (704*576@25fps) extra stream 2 (1280*720@8fps)</p>	<p>PAL: Main stream (2048*1536@20fps) extra stream 1 (704*576@20fps) extra stream 2 (1280*720@1fps)</p> <p>Main stream (1920*1080@25fps) extra stream 1 (704*576@25fps) extra stream 2 (1280*720@11fps)</p>
		<p>NTSC: Main stream (1280*960@30fps) extra stream 1 (704*480@30fps) extra stream 2 (1280*720@1fps)</p>	<p>NTSC: Main stream (2048*1536@20fps) extra stream 1 (704*480@20fps) extra stream 2 (1280*720@1fps)</p> <p>Main stream (1920*1080@30fps) extra stream 1 (704*480@30fps) extra stream 2 (1280*720@1fps)</p>
		<p>Note: Extra stream 2's actual frame depends on device max capacity set which can be adjusted within its range.</p>	
	Video Bit Rate	<p>H.264H: 40Kbps-8192Kbps MJPEG: 40Kbps-16384Kbps adjustable and bit rate is adjustable. Support customized setup.</p>	
	Video Flip	<p>Support mirror. Support flip function.</p>	
	Snapshot	<p>Max 1f/s snapshot. File extension name is JPEG.</p>	
	Privacy Mask	<p>Supports max 4 privacy mask zones</p>	
	Video Setup	<p>Support parameter setup such as bright, contrast.</p>	
	Video Information	<p>Channel title, time title, motion detect, tampering, overlay.</p>	
	Lens	<p>2.8mm, 3.6mm, 6mm. Fixed focus.</p>	
Lens Interface	<p>M12. Lens is the default accessories</p>		
Video	Motion Detect	<p>396 (18*22) detection zones; sensitivity level ranges from 0 to 100; area threshold ranges from 0 to 100. Activation event: video storage, image snapshot, log, email function and etc.</p>	
Record	Record Priority	<p>Manual >Video detect>Schedule</p>	
	Storage Management	<p>NAS storage</p>	
Network	Wire Network	<p>1-ch 10/100M Ethernet, RJ45 port</p>	
	Network Protocol	<p>HTTP, TCP/IP, ARP,IGMP, ICMP, RTSP, RTP,UDP, RTCP, SMTP, FTP, DHCP, DNS, DDNS, PPPOE, UPNP, NTP, QoS, 802.1x</p>	
	Remote Operation	<p>Monitor, system setup, file download, log information, maintenance , upgrade and etc</p>	
	Protocol	<p>PSIA, ONVIF</p>	
General Parameter	IR light	<p>IR light 20M.</p>	
	Power	<p>DC12V power and PoE. Note:</p>	

		05 series does not support PoE.	
Power Consumption	DC 12V 3.1W MAX		DC 12V 3.6W MAX
Working Temperature	-30°C~+60°C		
Working Humidify	≤95%		
Dimensions(mm)	Φ93.4×80.5		
Weight	0.35kg		
Installation	Ceiling and wall mount		

2 Structure

2.1 Components

You can refer to the following figures for product appearance information. See Figure 2-1 and Figure 2-2.

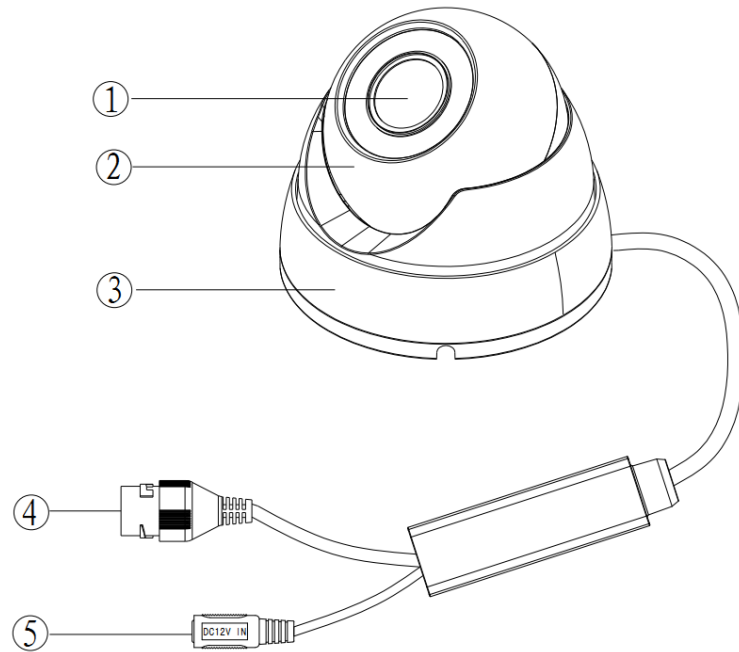


Figure 2-1 Metal Dome

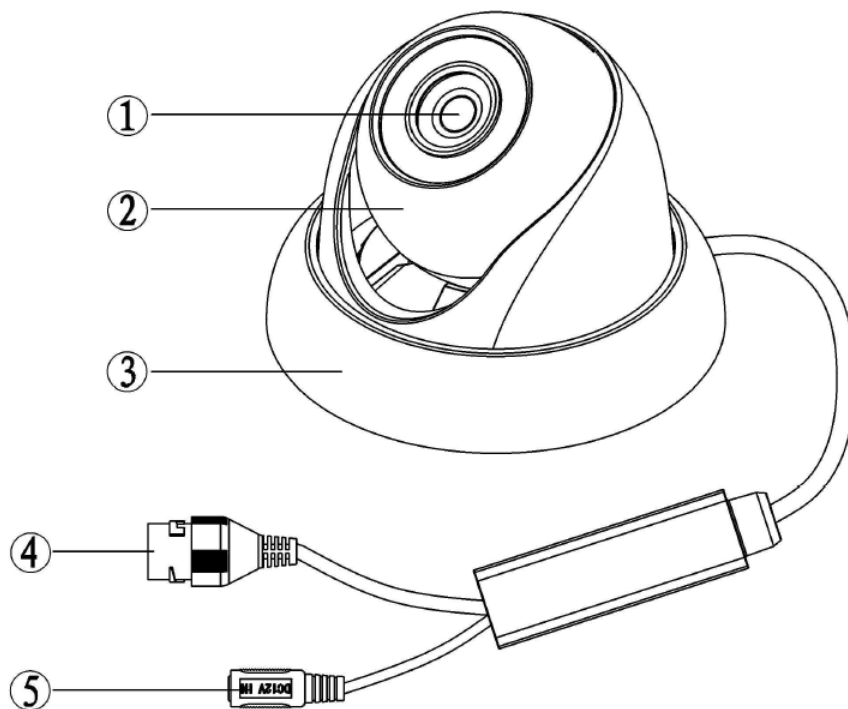


Figure 2-2 Plastic Dome

Please refer to the following sheet for detailed information.

Component	Component Name
Component 1	Device lens
Component 2	Dome body
Component 3	Dome enclosure

No.	Port	Name	Connector	Note
4	LAN	Network port	Ethernet	To connect to standard Ethernet. Note: ● Some devices do not support PoE.
5	DC12V	DC 12V power		To connect to DC12V power supply.

2.2 Framework and Dimension

Please refer to the following two figures for dimension information. The unit is mm. See Figure 2-3 to Figure 2-6.

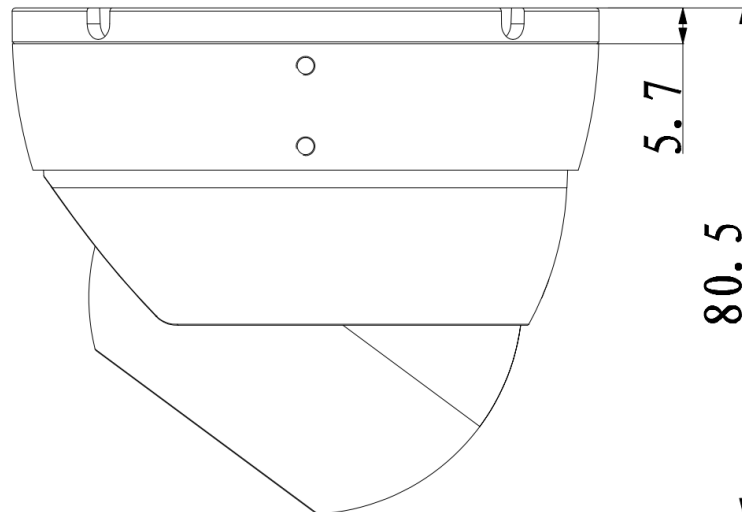


Figure 2-3 Dimension of Metal Dome 1

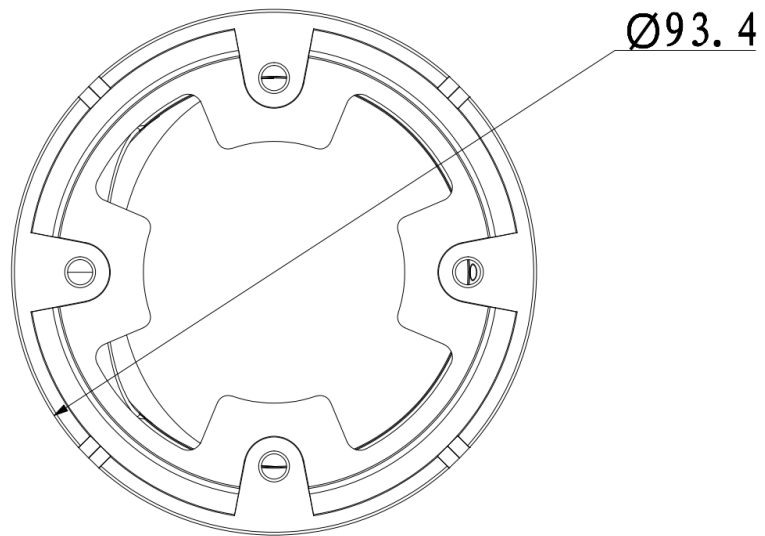


Figure 2-4 Dimension of Metal Dome 2

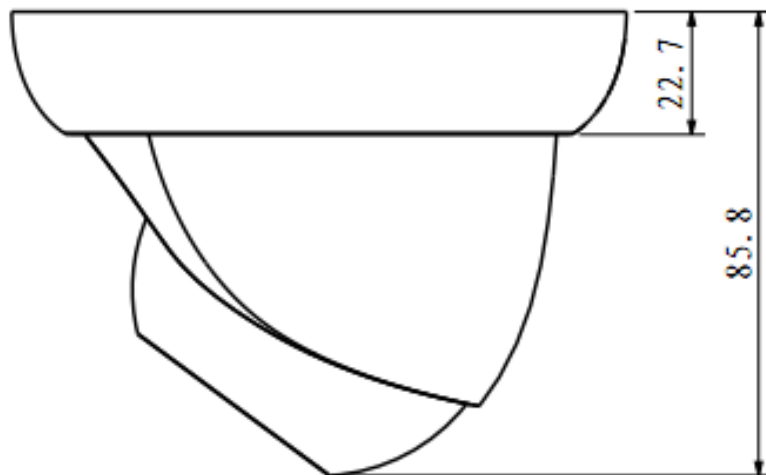


Figure 2-5 Dimension of Plastic Dome 1

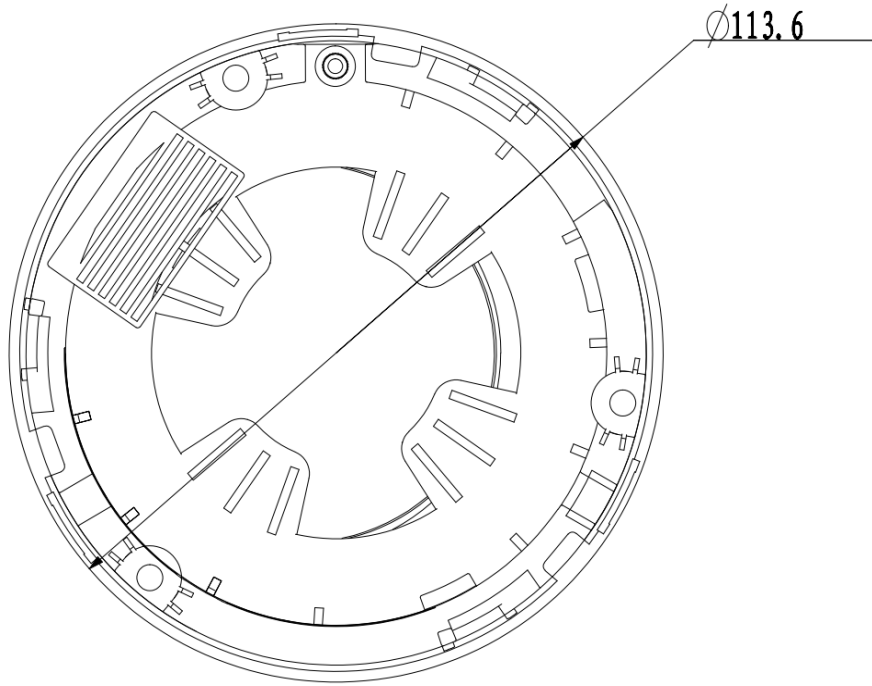


Figure 2-6 Dimension of Plastic Dome 2

3 Device Installation

Important

Before the installation, please make sure the installation environments can at least support 3x weight of the camera.

3.1 Installation Steps for Metal Dome

Please follow the steps listed below to install the device. Please refer to Figure 3-1 to Figure 3-3 for reference.

Step 1

Turn clockwise to remove the decoration ring from the snap joints.

Step 2

Please take the installation position map in the accessories bag, and then paste it on the ceiling or the wall according to your monitor area requirements. Draw and then dig four expansion bolts holes in the installation surface and then insert four expansion bolts in the holes. Secure these four bolts firmly.

Please draw the cable out from the cable exit when you install the device.

Step 3

Adjust the device installation pedestal to the proper position and then line up the four holes in the device pedestal to the four plastic expansion bolt holes in the installation position. Put the four self-tapping screws in the four plastic expansion bolts firmly. Loosen the decoration ring to adjust lens toward designed monitoring area. User can use the M3X3 inner hex screw to secure dome body.

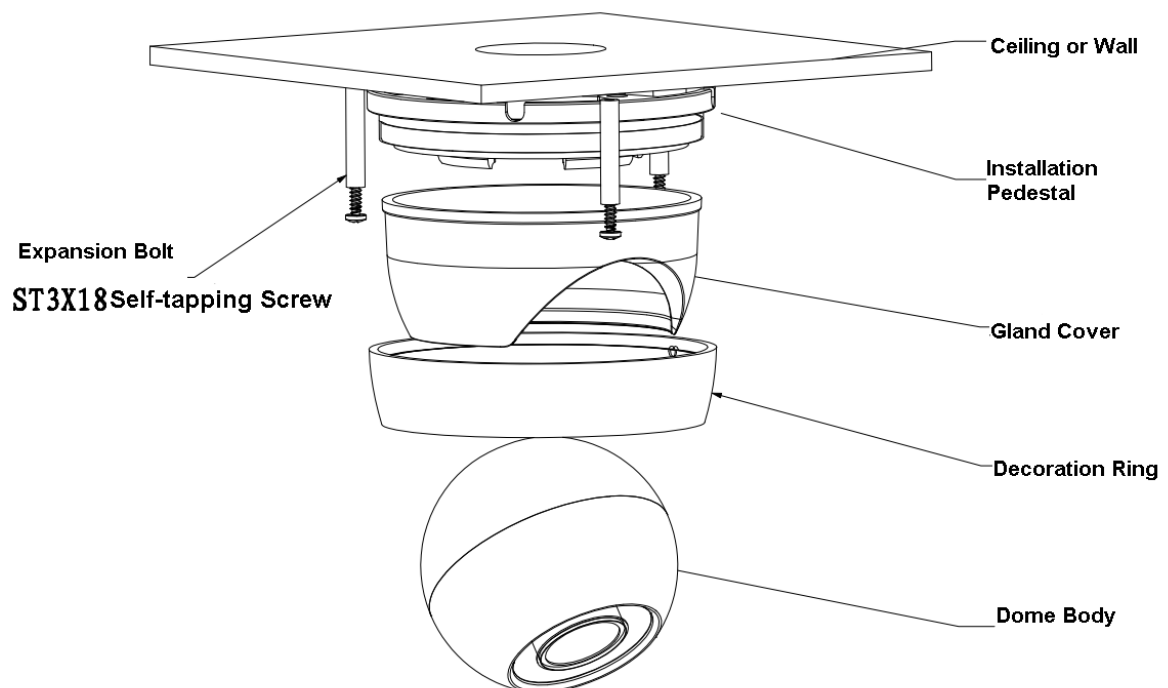


Figure 3-1 Device installation illustration 1

Important

Please pay attention to the dome camera direction when you are installing. Please refer to the following figure for detailed information. See Figure 3-2.

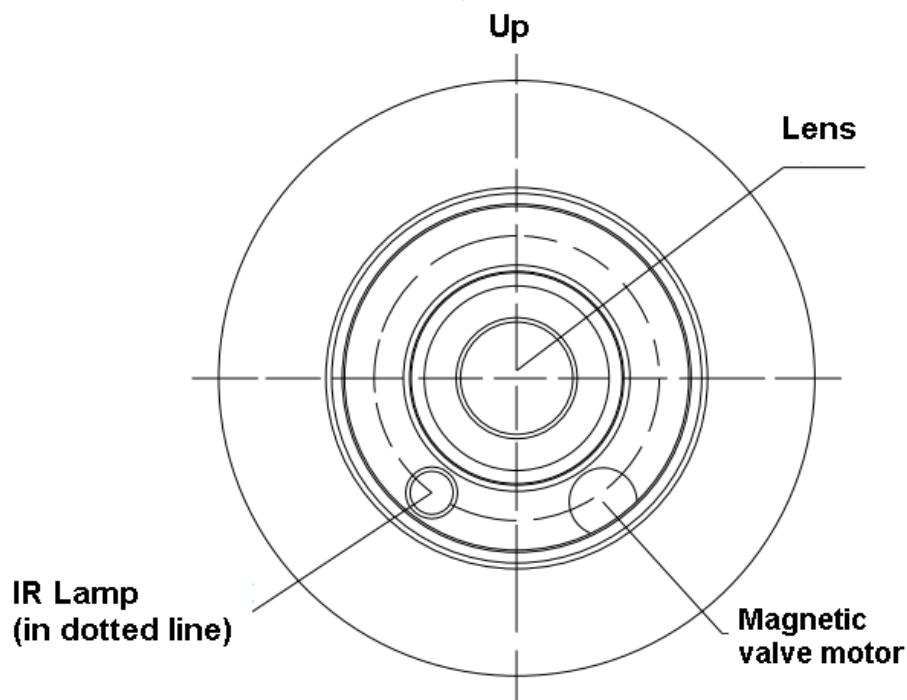


Figure 3-2 Device installation illustration 2

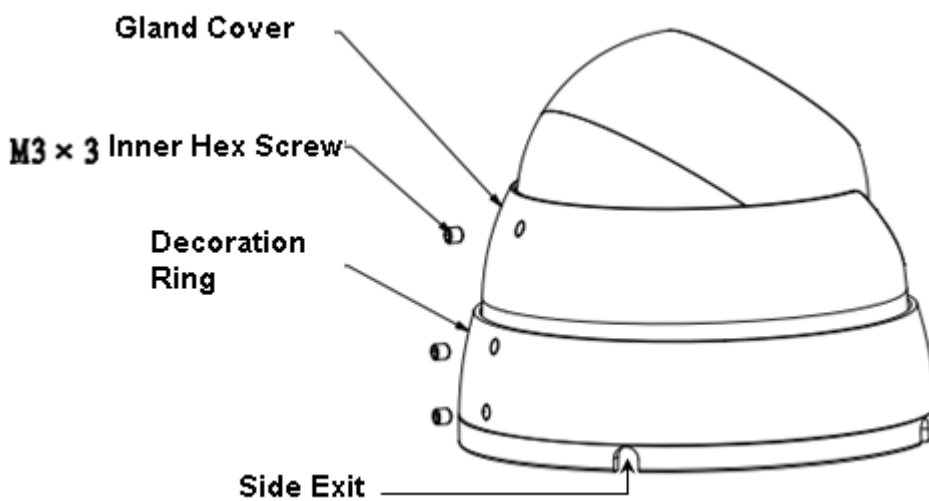


Figure 3-3 Device installation illustration 3

3.2 Installation Steps for Plastic Dome

Please follow the steps listed below to install the device. Please refer to Figure 3-4 for reference.

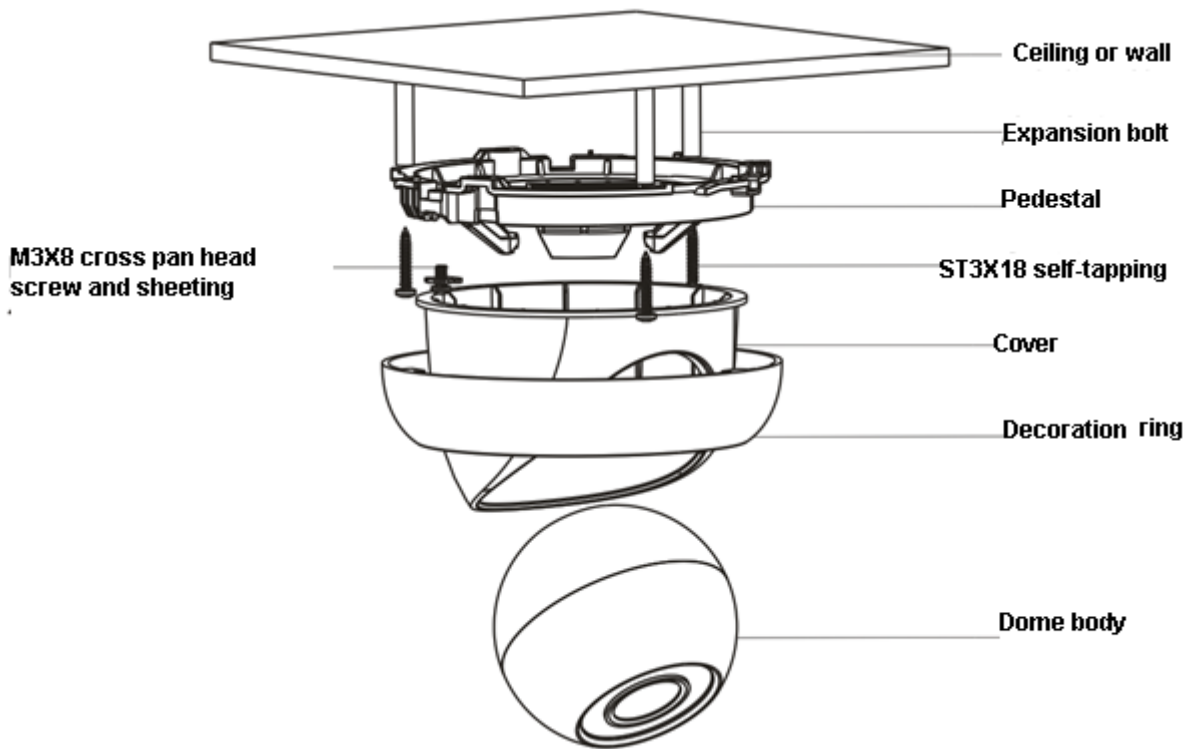


Figure 3-4 Device installation illustration 1

Step 1

Rotate decoration ring clockwise and take it out.

Step 2

Take out installation map in accessories bag, and according to monitoring area, paste it on ceiling or wall there device will be installed. Dig three hole at the position marked on installation map, and take out three expansion bolts in accessories bag to insert them into the holes.

Step 3

Adjust position of pedestal, and aim the three holes on device pedestal at the three expansion bolts on installation surface. Fasten the three self-tapping screws into the three expansion bolts to secure the pedestal. Loosen the M3X8 cross pan head screw on pedestal, and be careful do not loosen completely. Now you can adjust position according to monitoring area. After adjustment, fasten the M3X8 cross pan head screw with sheeting.

Step 4

Rotate decoration ring bottom up and face the three spigots toward the three slots. When you hear a “Ca” sound, it is rotated in place.

4 Quick Configuration Tool

4.1 Overview

Quick configuration tool can search current IP address, modify IP address. At the same time, you can use it to upgrade the device.

Please note the tool only applies to the IP addresses in the same segment.

4.2 Operation

Double click the “ConfigTools.exe” icon, you can see an interface is shown as in Figure 4-1.

In the device list interface, you can view device IP address, port number, subnet mask, default gateway, MAC address and etc.

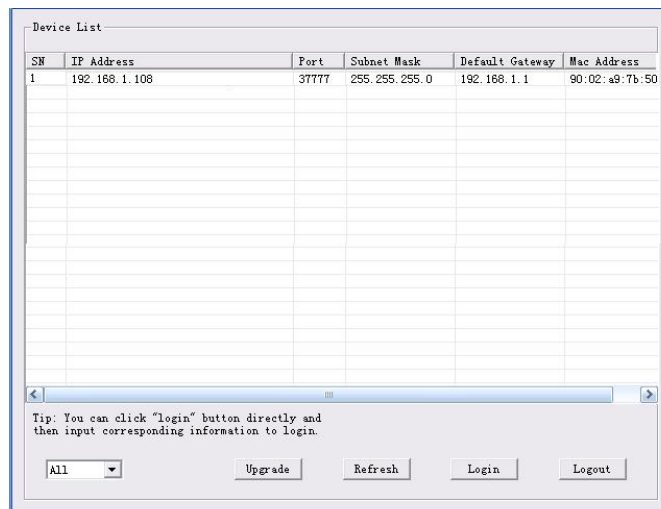


Figure 4-1 Search interface

Select one IP address and then right click mouse, you can see an interface is shown as in Figure 4-2. Select the “Open Device Web” item; you can go to the corresponding web login interface.

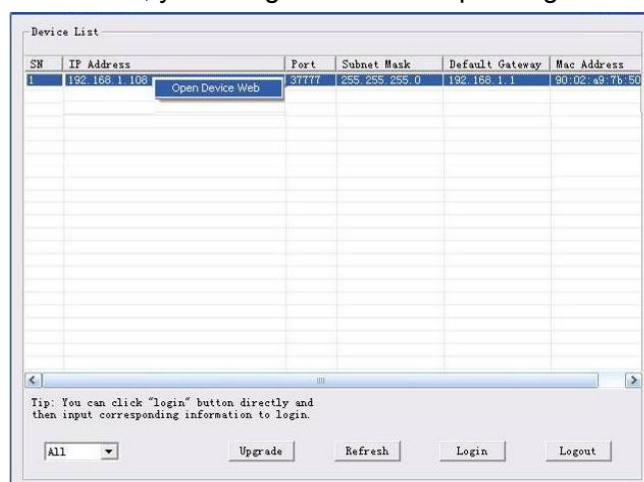


Figure 4-2 Search interface 2

If you want to modify the device IP address without logging in the device web interface, you can go to the configuration tool main interface to set.

In the configuration tool search interface (Figure 4-1), please select a device IP address and then double click it to open the login interface. Or you can select an IP address and then click the Login button to go to the login interface. See Figure 4-3.

In Figure 4-3, you can view device IP address, user name, password and port. Please modify the corresponding information to login.

Please note the port information here shall be identical with the port value you set in TCP port in Web Network interface. Otherwise, you cannot login the device.

If you are using device background upgrade port 3800 to login, other setups are all invalid.

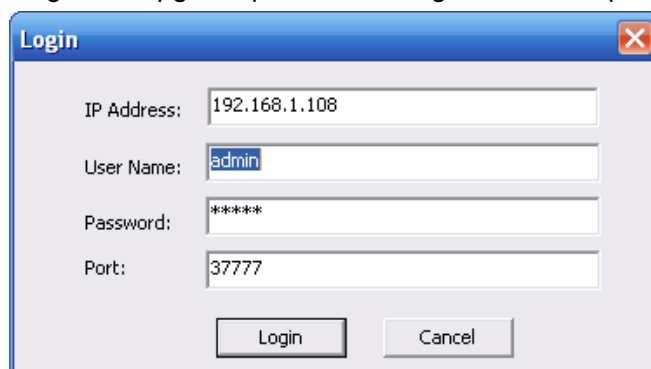
A screenshot of a 'Login' dialog box. It has a title bar with 'Login' and a close button. The dialog contains four input fields: 'IP Address' with '192.168.1.108', 'User Name' with 'admin', 'Password' with '*****', and 'Port' with '37777'. At the bottom, there are two buttons: 'Login' and 'Cancel'.

Figure 4-3 Login prompt

After you logged in, the configuration tool main interface is shown as below. See Figure 4-4.

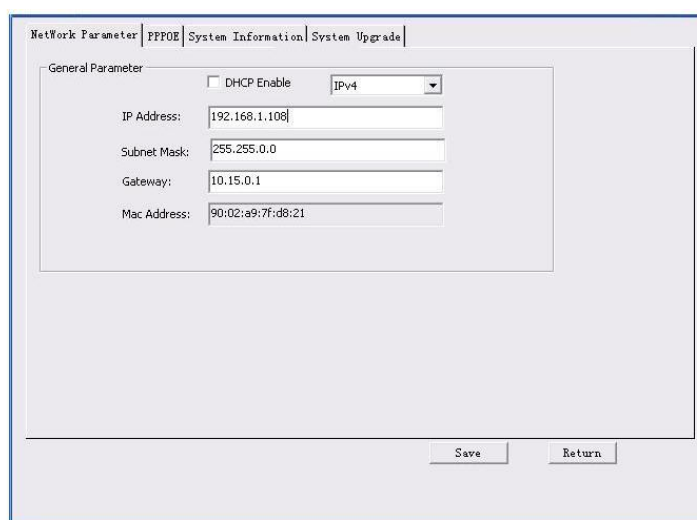
A screenshot of the main configuration interface. At the top, there are tabs: 'Network Parameter', 'PPPOE', 'System Information', and 'System Upgrade'. The 'Network Parameter' tab is active. Below the tabs, there is a 'General Parameter' section. It includes a checkbox for 'DHCP Enable' (unchecked) and a dropdown menu for 'IPv4'. Below these are five input fields: 'IP Address' (192.168.1.108), 'Subnet Mask' (255.255.0.0), 'Gateway' (10.15.0.1), and 'Mac Address' (90:02:a9:7f:d8:21). At the bottom right, there are two buttons: 'Save' and 'Return'.

Figure 4-4 Main interface

For detailed information and operation instruction of the quick configuration tool, please refer to the *Quick Configuration Tool User's Manual* included in the resources CD.

5 Web Operation

This series network camera products support the Web access and management via PC. Web includes several modules: Monitor channel preview, system configuration, alarm and etc.

5.1 Network Connection

Please follow the steps listed below for network connection.

- Make sure the network camera has connected to the network properly.
- Please set the IP address, subnet mask and gateway of the PC and the network camera respectively. Network camera default IP address is 192.168.1.108. Subnet mask is 255.255.255.0. Gateway is 192.168.1.1
- Use order ping `***.***.***.***`(* network camera address) to check connection is OK or not.

5.2 Login and Main Interface

Open IE and input network camera address in the address bar. See Figure 5- 1.

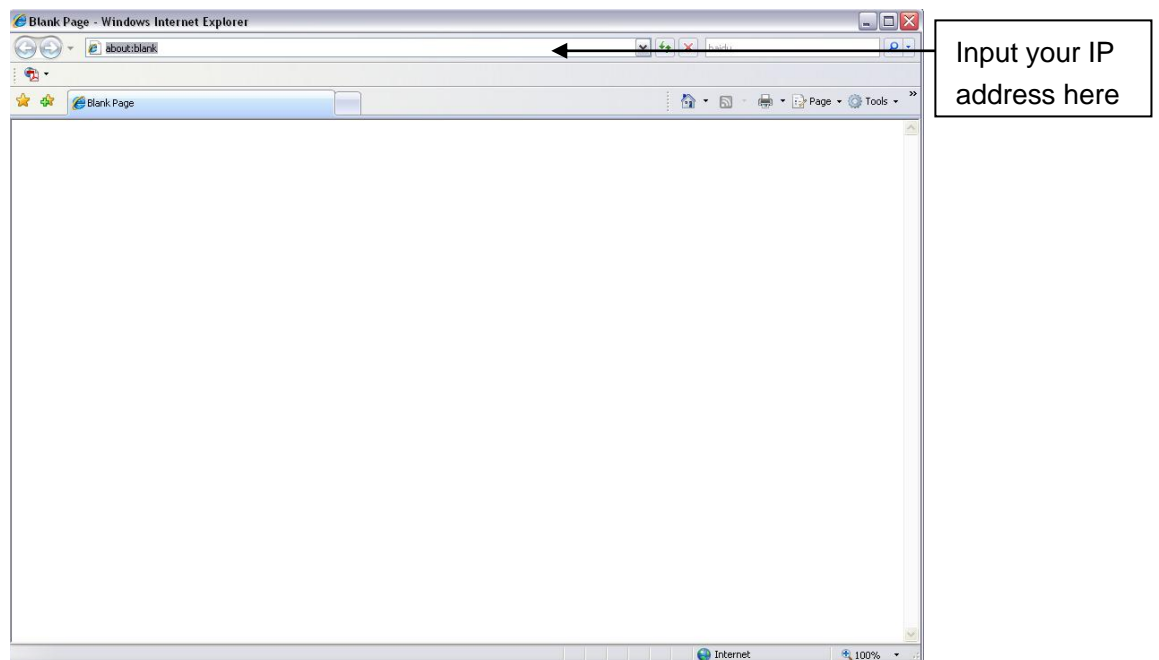


Figure 5- 1 IP address

The login interface is shown as below. See Figure 5- 2.

Please input your user name and password.

Default factory name is admin and password is admin.

Note: For security reasons, please modify your password after you first login.



Figure 5- 2 Web login

After you successfully logged in, please install WEB plug-in unit. Please refer to the Web Operation Manual included in the resource CD for detailed operation instruction.

See Figure 5- 3.

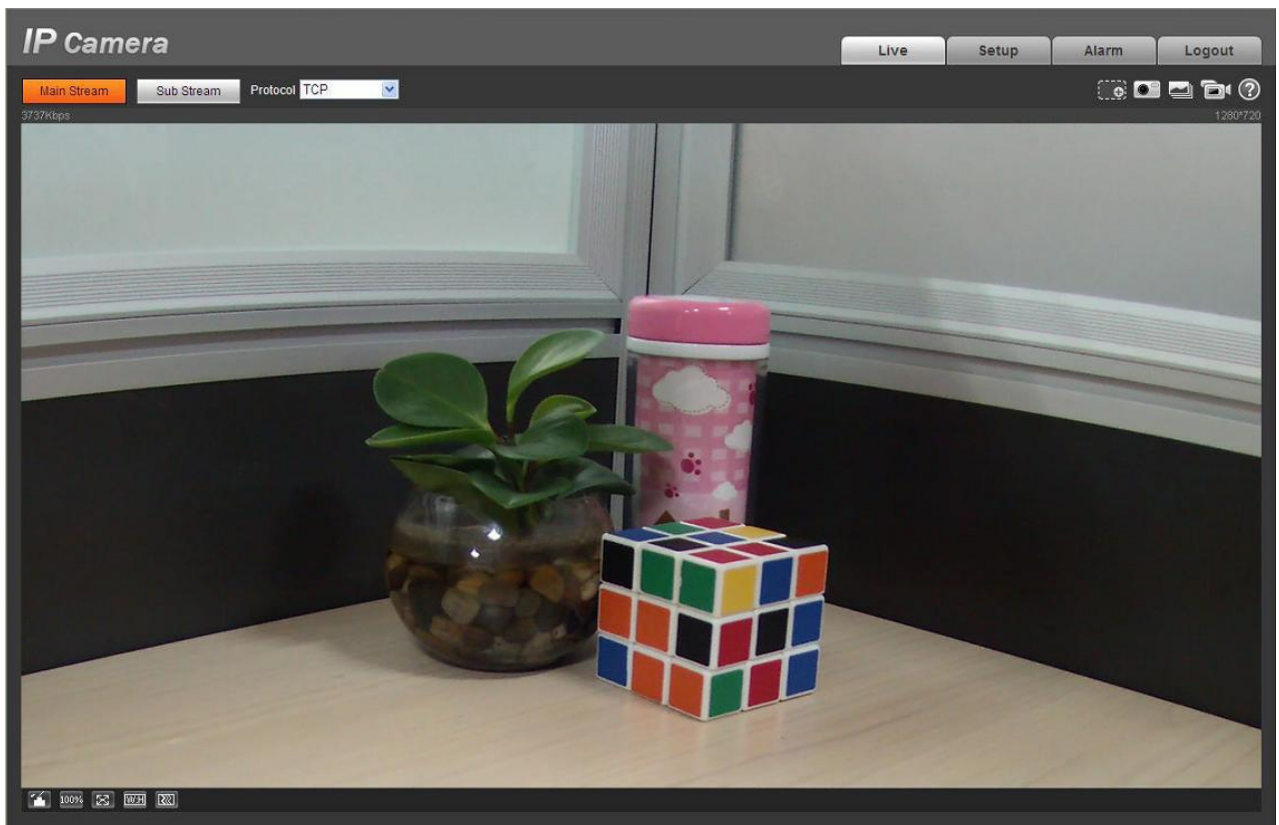


Figure 5- 3 Web monitoring window

6 FAQ

Bug	
The water leakage occurred.	<p>The unauthorized front or rear cap remove many result in water leakage.</p> <p>The glass front cap has sustained heavy push or strike.</p> <p>The waterproof plug of the rear cap becomes loosen.</p>
IR video is poor.	<p>Do not use the proper supplying power. The IR light can not turn on completely.</p> <p>The object is out of the IR distance range of current device.</p> <p>IR-CUT does not turn to the night mode. The photosensitive chip of the front-end can not sense the IR light.</p>
I can not upgrade the device via network.	<p>When network upgrade operation failed, you can use port 3800 to continue upgrade.</p>
I can not login the client-end or the WEB.	<p>For Windows OS 98 or Windows ME user, if you can not install the client-end or can not view after the installation. We recommend the win2000sp4 OS or install the client-end of the low version.</p> <p>The Active X control is blocked.</p> <p>The display card version shall be dx8.1 or higher.</p> <p>Network connection error occurred.</p> <p>Invalid network setup.</p> <p>Invalid user name or password.</p>
I can not play the download file.	<p>There is no player.</p> <p>There is no DX8.1 or higher.</p> <p>For the MEDIA PLAYER, there shall be Div X503Bundle.exe plugin if you play the .AVI file.</p> <p>For Windows XP user, you need to install the plugin DivX503Bundle.exe and ffdsho-2004 1012.exe.</p>
To guarantee setup update	<p>After you modified the important setup, please reboot the device via the software to make sure the setup has been updated to the storage medium.</p>
Power adapter	<p>The general power adapter can work ranging from 0°C to 40 °C. The device may result in unstable power supply when the temperature exceeds the working temperature.</p> <p>Please replace an industry-level power adapter if you are using in the harsh environments.</p>

Appendix Toxic or Hazardous Materials or Elements

Component Name	Toxic or Hazardous Materials or Elements					
	Pb	Hg	Cd	Cr VI	PBB	PBDE
Circuit Board Component	○	○	○	○	○	○
Device Case	○	○	○	○	○	○
Wire and Cable	○	○	○	○	○	○
Packing Components	○	○	○	○	○	○
Accessories	○	○	○	○	○	○

O: Indicates that the concentration of the hazardous substance in all homogeneous materials in the parts is below the relevant threshold of the SJ/T11363-2006 standard.

X: Indicates that the concentration of the hazardous substance of at least one of all homogeneous materials in the parts is above the relevant threshold of the SJ/T11363-2006 standard. During the environmental-friendly use period (EFUP) period, the toxic or hazardous substance or elements contained in products will not leak or mutate so that the use of these (substances or elements) will not result in any severe environmental pollution, any bodily injury or damage to any assets. The consumer is not authorized to process such kind of substances or elements, please return to the corresponding local authorities to process according to your local government statutes.

Note

- **This user's manual is for reference only. Slight difference may be found in user interface.**
- **All the designs and software here are subject to change without prior written notice.**
- **All trademarks and registered trademarks mentioned are the properties of their respective owners.**
- **If there is any uncertainty or controversy, please refer to the final explanation of us.**
- **Please visit our website for more information.**